



US00D385034S

# United States Patent [19]

[11] Patent Number: Des. 385,034

Niedospial, Jr.

[45] Date of Patent: \*\*Oct. 14, 1997

[54] FLEXIBLE MEDICAL FLUID CONTAINER

[75] Inventor: John J. Niedospial, Jr., Burlington, N.J.

[73] Assignee: Bracco Diagnostics Inc., Princeton, N.J.

[\*\*] Term: 14 Years

[21] Appl. No.: 57,718

[22] Filed: Jul. 30, 1996

[51] LOC (6) Cl. .... 12-01

[52] U.S. Cl. .... D24/118

[58] Field of Search ..... D24/118, 129, D24/108, 107, 164; D9/309, 307; 128/760, DIG. 24; 604/408, 410, 283, 4, 905, 30; 426/106

[56] References Cited

U.S. PATENT DOCUMENTS

D. 52,616	10/1918	Miller	.....	D24/118
D. 192,987	1/1962	Waldman	.....	D83/1
D. 200,034	1/1965	Zytke et al.	.....	D83/1
D. 229,786	1/1974	Kinkel et al.	.....	D83/1 U
D. 284,035	5/1986	Leeuwe et al.	.....	D24/58
D. 298,567	11/1988	Morris	.....	D24/58
D. 302,306	7/1989	Steer	.....	D24/51
D. 302,307	7/1989	Steer	.....	D24/51
D. 303,574	9/1989	Steer	.....	D24/51
D. 303,575	9/1989	Steer	.....	D24/51

D. 306,759	3/1990	D'Alo	.....	D24/58
D. 323,389	1/1992	Aoki et al.	.....	D24/117
D. 347,993	6/1994	Lane et al.	.....	D9/305
D. 354,129	1/1995	Salvadori	.....	D24/118
D. 354,906	1/1995	Lane et al.	.....	D9/305
3,547,340	12/1970	McDonald	.....	D9/305 X
3,550,837	12/1970	Clayton	.....	D9/305 X
4,132,594	1/1979	Banks et al.	.....	604/408 X
5,273,361	12/1993	Jillson	.....	D9/305 X
5,423,762	6/1995	Hillstead	.....	604/283 X
5,492,705	2/1996	Porchia et al.	.....	426/106

FOREIGN PATENT DOCUMENTS

9116861	11/1991	WIPO	.....	604/408
---------	---------	------	-------	---------

Primary Examiner—Louis S. Zarfaz  
Assistant Examiner—Frank Martinez  
Attorney, Agent, or Firm—Imre Balogh

[57] CLAIM

The ornamental design for the flexible medical fluid container, as shown and described.

DESCRIPTION

FIG. 1 is a front elevational view of a flexible medical fluid container showing my new design; FIG. 2 is a left side elevational view thereof; FIG. 3 is a right side elevational view thereof; FIG. 4 is a rear elevational view thereof; FIG. 5 is a top plan view thereof; and, FIG. 6 is a bottom plan view thereof.

1 Claim, 2 Drawing Sheets

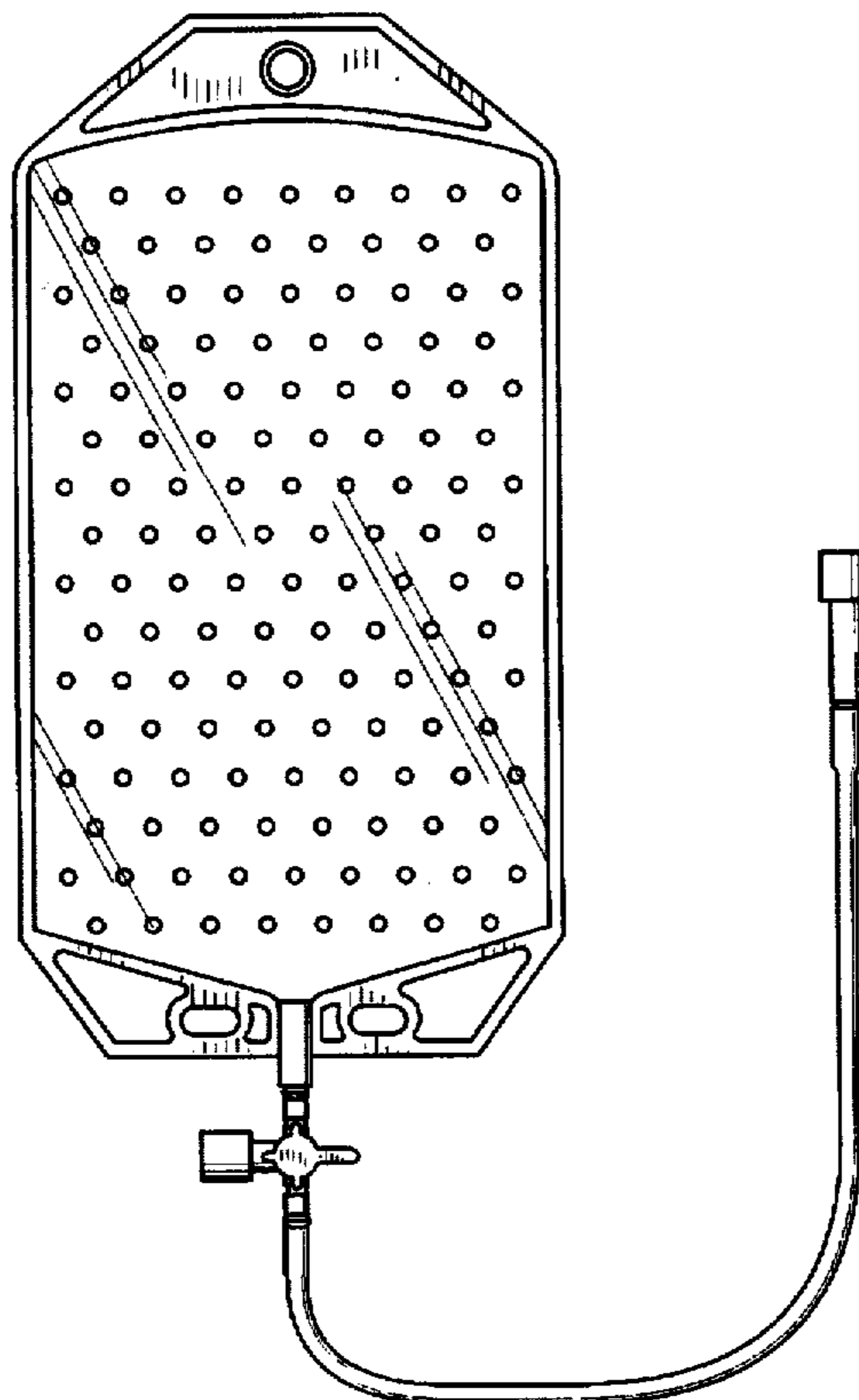


FIG. 3

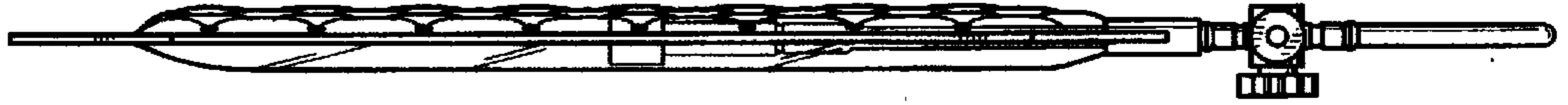


FIG. 2

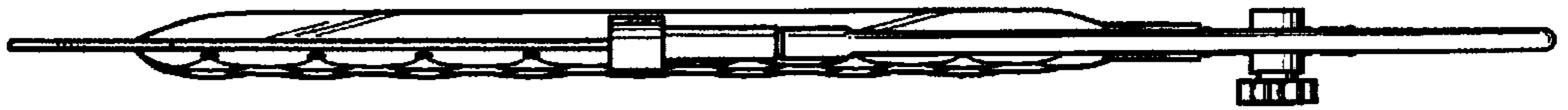


FIG. 1

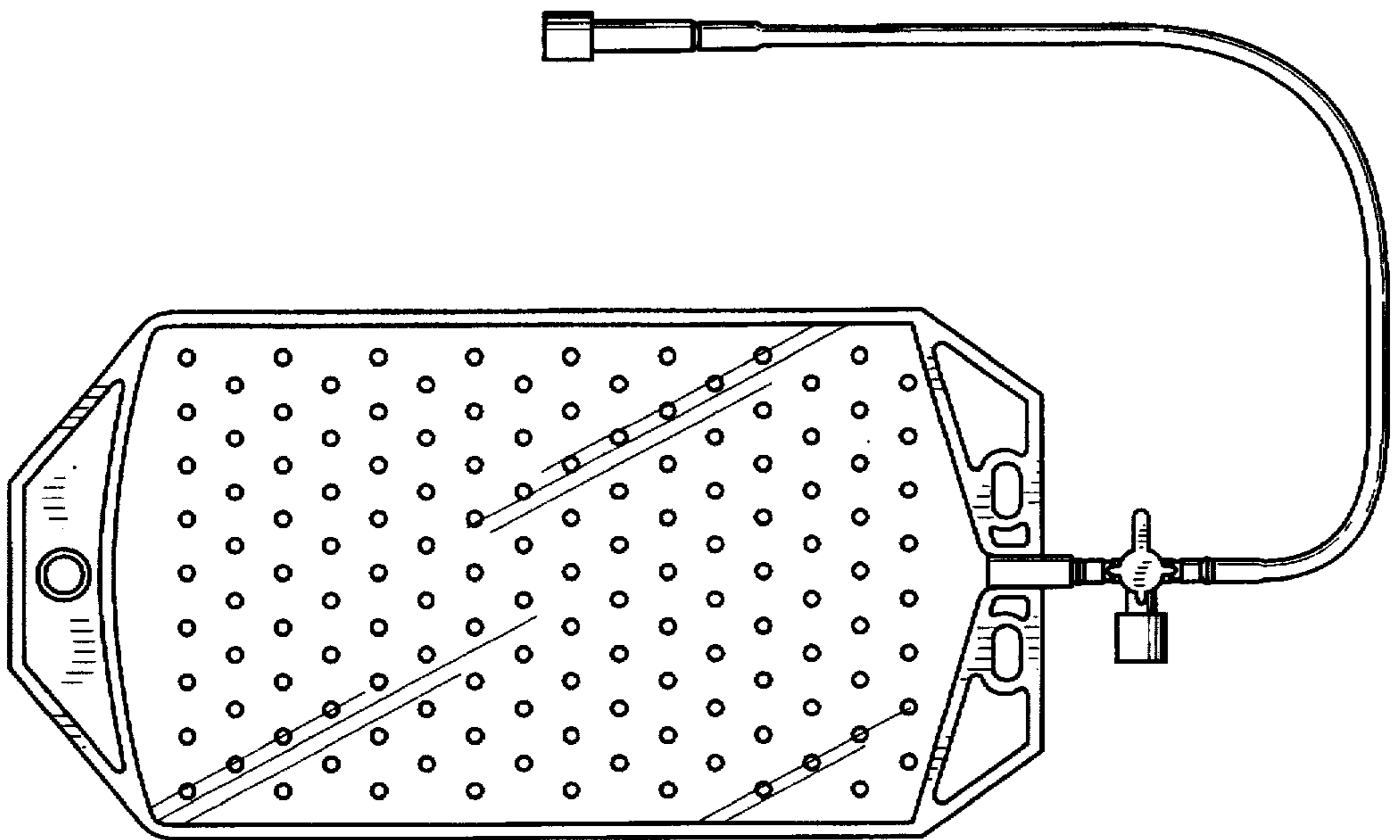


FIG. 5



FIG. 4

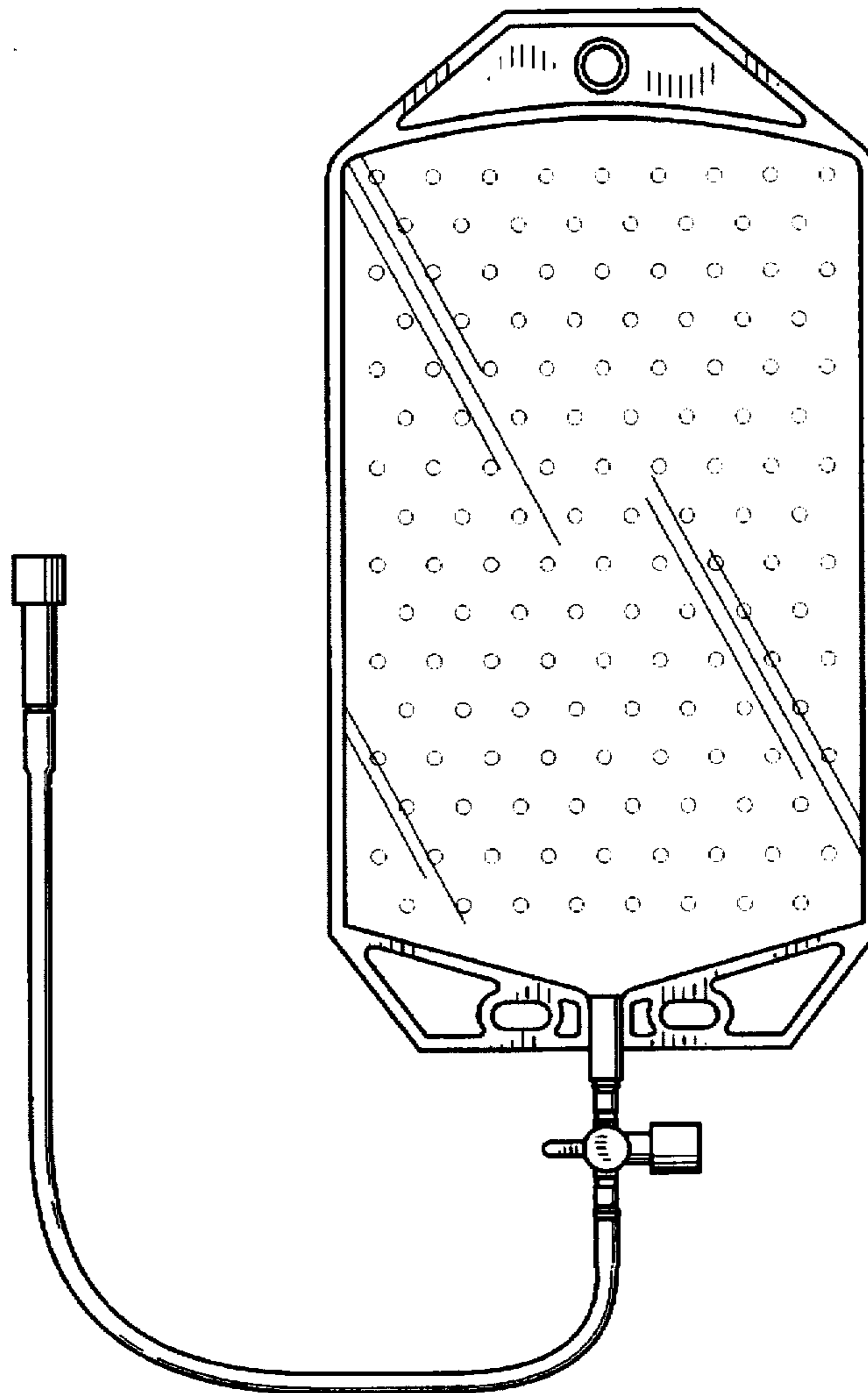


FIG. 6

