



US00D385033S

United States Patent [19]

[11] Patent Number: **Des. 385,033**

Niedospial, Jr.

[45] Date of Patent: ****Oct. 14, 1997**

[54] **FLEXIBLE MEDICAL FLUID CONTAINER**

[75] Inventor: **John J. Niedospial, Jr., Burlington, N.J.**

[73] Assignee: **Bracco Diagnostics, Inc., Princeton, N.J.**

[**] Term: **14 Years**

[21] Appl. No.: **57,716**

[22] Filed: **Jul. 30, 1996**

[51] LOC (6) Cl. **24-01**

[52] U.S. Cl. **D24/118**

[58] Field of Search D24/118, 129, D24/108, 107, 164; D9/305, 304; 128/760, DIG. 24; 604/408, 410, 283, 4, 905, 30; 426/106

[56] **References Cited**

U.S. PATENT DOCUMENTS

D. 52,616	10/1918	Miller	D24/118
D. 192,987	1/1962	Waldman	D83/1
D. 200,034	1/1965	Zytko et al.	D83/1
D. 229,786	1/1974	Kinkel et al.	D83/1 U
D. 284,035	5/1986	Leeuwe et al.	D24/58
D. 298,567	11/1988	Morris	D24/58
D. 302,306	7/1989	Steer	D24/51
D. 302,307	7/1989	Steer	D24/51
D. 303,574	9/1989	Steer	D24/51
D. 303,575	9/1989	Steer	D24/51

D. 306,759	3/1990	D'Alo	D24/58
D. 323,389	1/1992	Aoki et al.	D24/117
D. 347,993	6/1994	Lane et al.	D9/305
D. 354,129	1/1995	Salvadori	D24/118
D. 354,906	1/1995	Lane et al.	D9/305
3,547,340	12/1970	McDonald	D9/305 X
3,550,839	12/1970	Clayton	D9/305 X
4,132,594	1/1979	Banks et al.	604/408 X
5,273,361	12/1993	Jillson	D9/305 X
5,423,762	6/1995	Hillstead	604/283 X
5,492,705	2/1996	Porchia et al.	426/106

FOREIGN PATENT DOCUMENTS

9116861	11/1991	WIPO	604/408
---------	---------	------	-------	---------

Primary Examiner—Louis S. Zarfes
Assistant Examiner—Frank Martinez
Attorney, Agent, or Firm—Imre Balogh

[57] **CLAIM**

The ornamental design for the flexible medical fluid container, as shown and described.

DESCRIPTION

FIG. 1 is a front elevational view of a flexible medical fluid container showing my new design; FIG. 2 is a left side elevational view thereof; FIG. 3 is a right side elevational view thereof; FIG. 4 is a rear elevational view thereof; FIG. 5 is a top plan view thereof; and, FIG. 6 is a bottom plan view thereof.

1 Claim, 2 Drawing Sheets

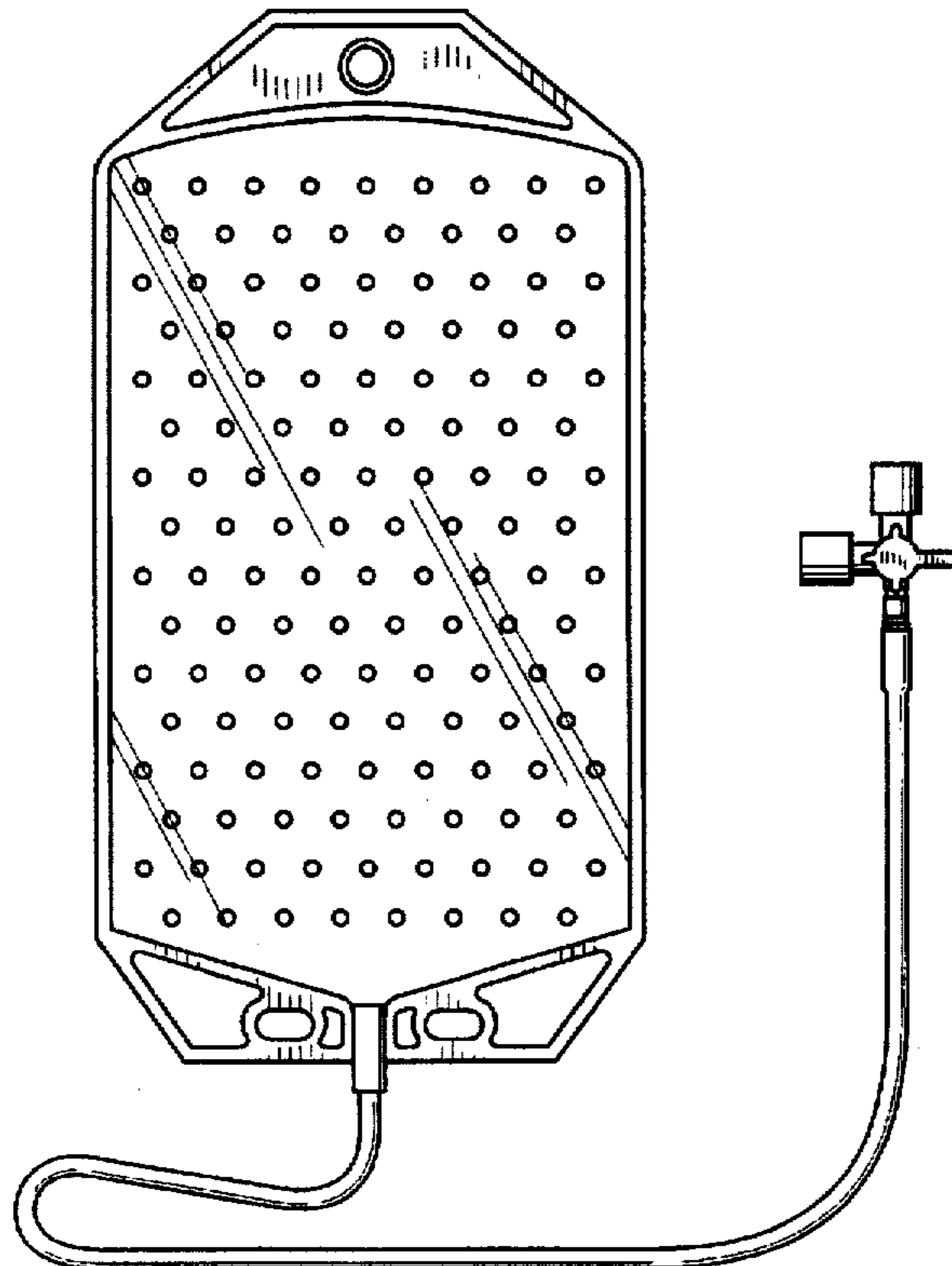


FIG. 1

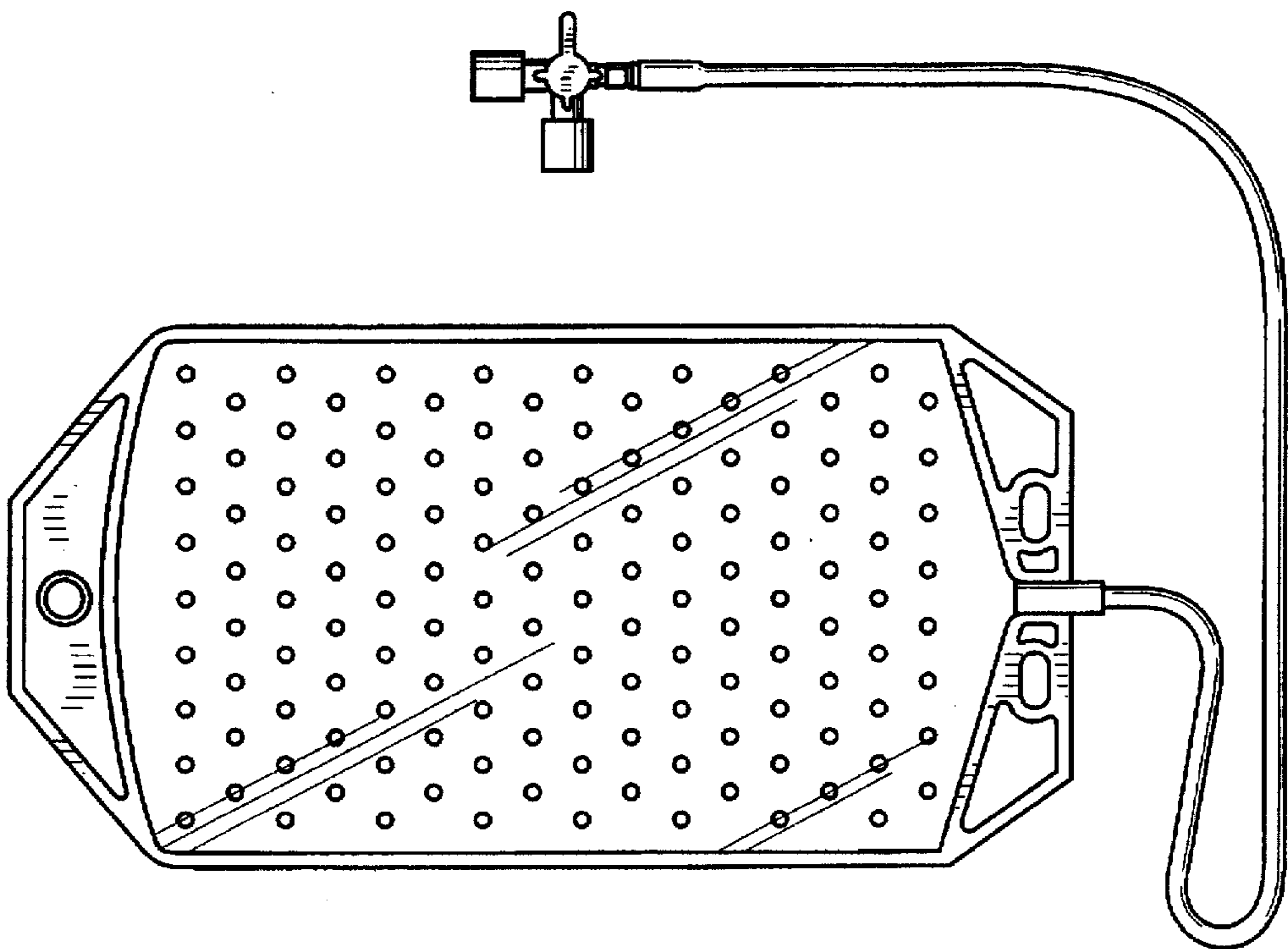


FIG. 2

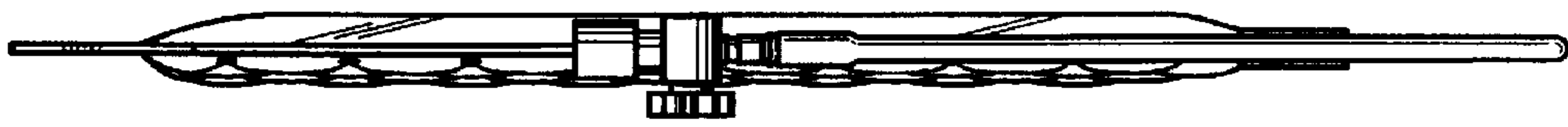


FIG. 3



FIG. 5



FIG. 4

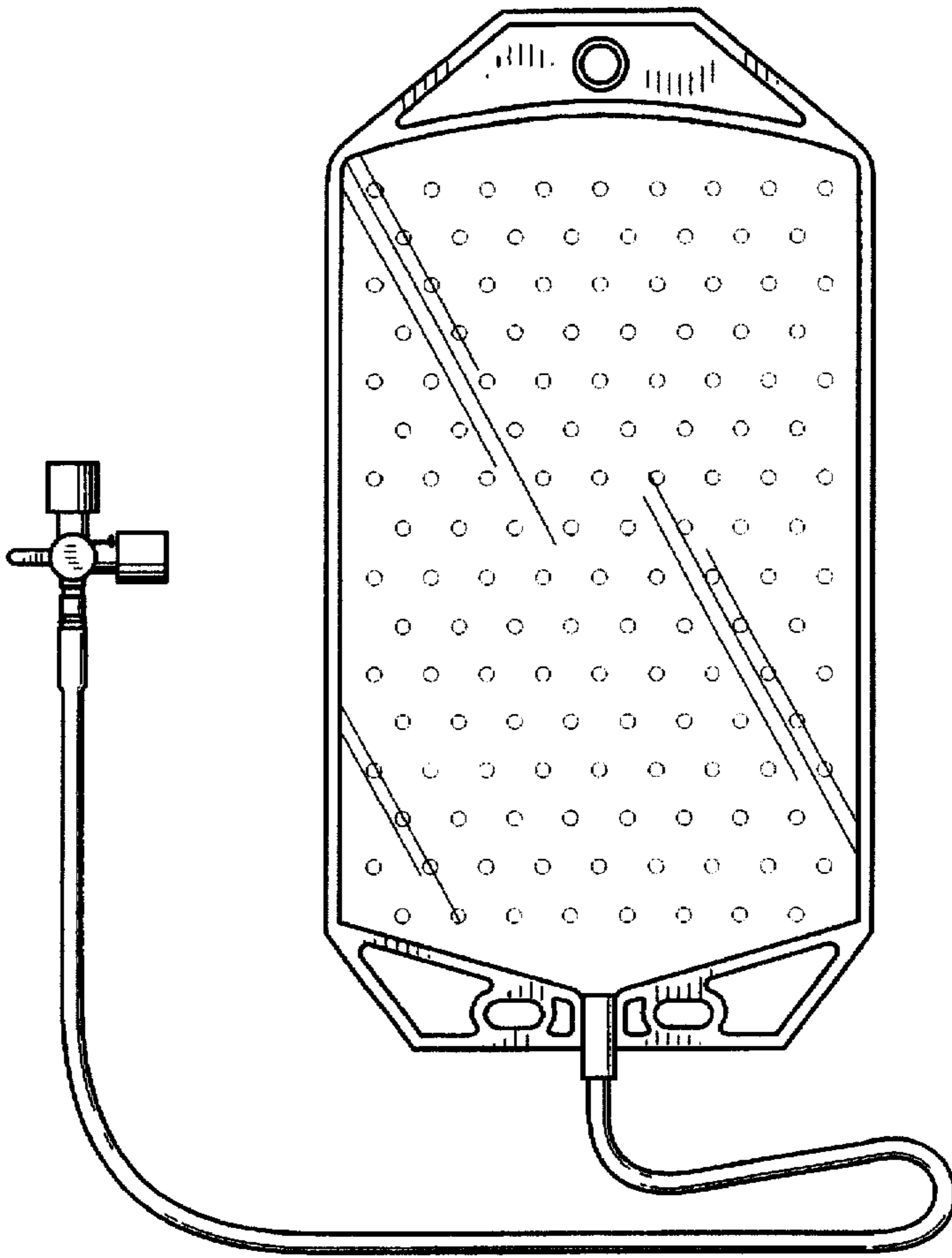


FIG. 6

