



US00D385030S

United States Patent [19]

[11] Patent Number: **Des. 385,030**

Niedospial, Jr.

[45] Date of Patent: ****Oct. 14, 1997**

[54] **FLEXIBLE MEDICAL FLUID CONTAINER**

[75] Inventor: **John J. Niedospial, Jr., Burlington, N.J.**

[73] Assignee: **Bracco Diagnostics, Inc., Princeton, N.J.**

[*] Notice: The portion of the term of this patent subsequent to Oct. 7, 2011, has been disclaimed.

[**] Term: **14 Years**

[21] Appl. No.: **57,700**

[22] Filed: **Jul. 30, 1996**

[51] LOC (6) Cl. **24-01**

[52] U.S. Cl. **D24/118**

[58] Field of Search D24/129, 108, D24/111, 107, 109, 164; D9/305, 306; 128/760, DIG. 24; 604/408, 283, 410, 4, 905, 30

[56] **References Cited**

U.S. PATENT DOCUMENTS

D. 192,987	1/1962	Waldman	D83/1
D. 200,034	1/1965	Zytko et al.	D83/1
D. 229,786	1/1974	Kinkel et al.	D83/1 U
D. 284,035	5/1986	Leeuwe et al.	D24/58
D. 298,567	11/1988	Morris	D24/58

D. 302,306	7/1989	Steer	D24/51
D. 302,307	7/1989	Steer	D24/51
D. 303,574	9/1989	Steer	D24/51
D. 303,575	9/1989	Steer	D24/51
D. 306,759	3/1990	D'Alo	D24/58
D. 323,389	1/1992	Aoki et al.	D24/117
D. 347,993	6/1994	Lane et al.	D9/305
D. 354,129	1/1995	Salvadori	D24/118
D. 354,906	1/1995	Lane et al.	D9/305
3,550,839	12/1970	Clayton	D9/305
4,132,594	1/1979	Bank et al.	604/408 X
4,282,863	8/1981	Beigler	604/410 X
5,423,762	6/1995	Hillstead	604/283

Primary Examiner—Louis S. Zarfaz
Assistant Examiner—Frank Martinez
Attorney, Agent, or Firm—Imre Balogh

[57] **CLAIM**

The ornamental design for the flexible medical fluid container, as shown and described.

DESCRIPTION

FIG. 1 is a front elevational view of a flexible medical fluid container showing my new design;
FIG. 2 is a left side elevational view thereof;
FIG. 3 is a right side elevational view thereof;
FIG. 4 is a rear elevational view thereof;
FIG. 5 is a top plan view thereof; and,
FIG. 6 is a bottom plan view thereof.

1 Claim, 2 Drawing Sheets

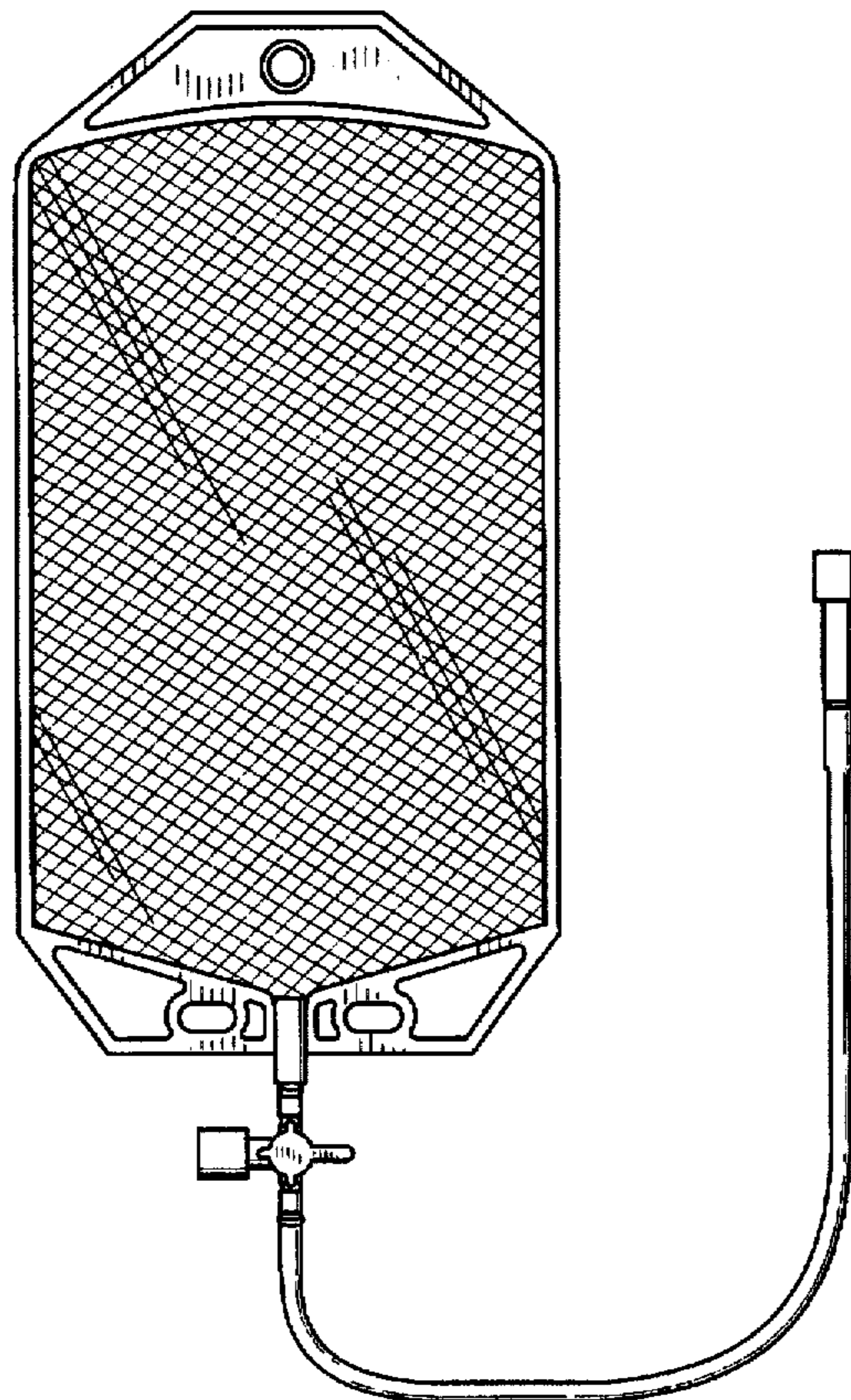


FIG. 3



FIG. 2



FIG. 1

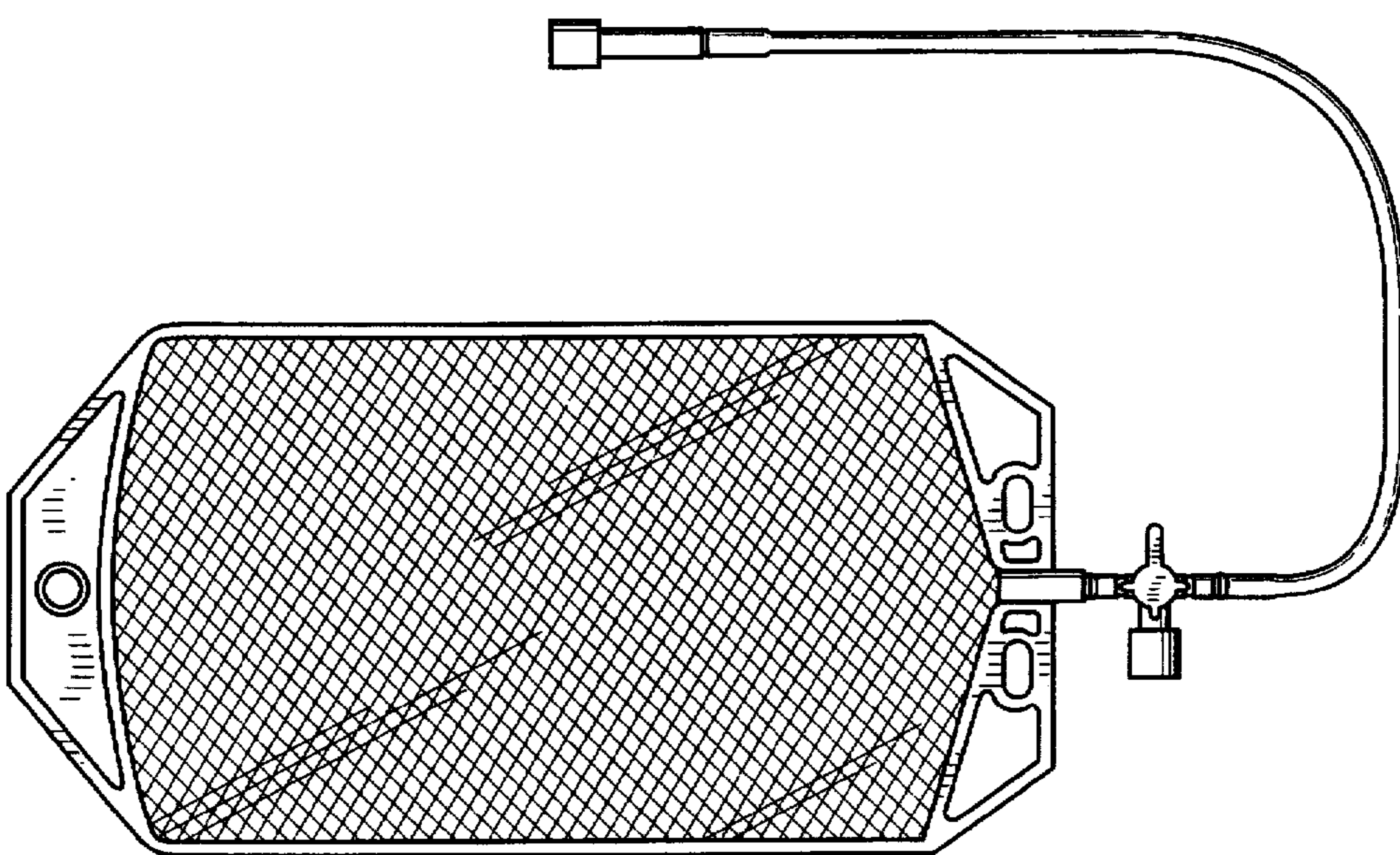


FIG. 5



FIG. 4

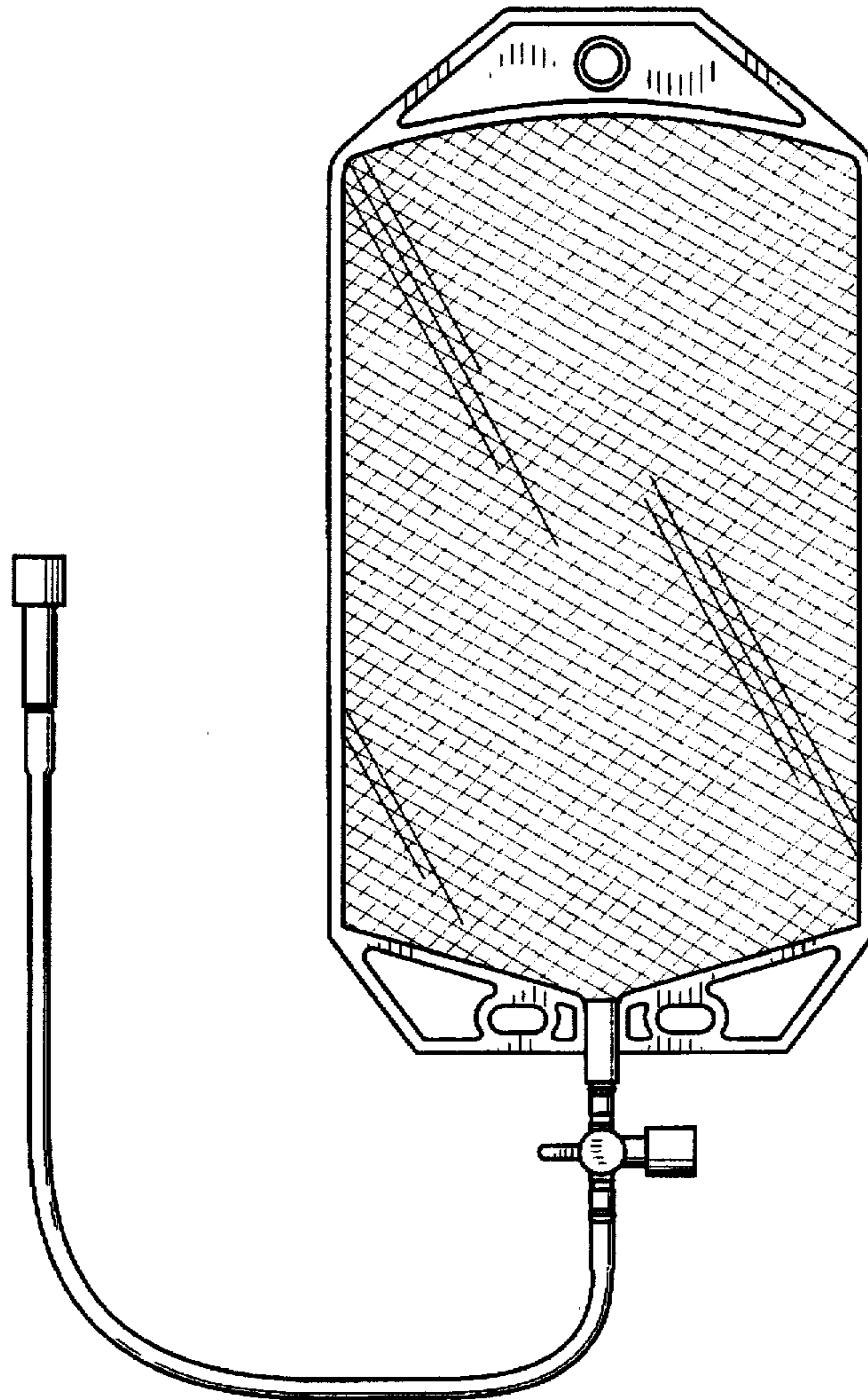


FIG. 6

