



US00D385029S

United States Patent [19]

[11] Patent Number: **Des. 385,029**

Callan et al.

[45] Date of Patent: ****Oct. 14, 1997**

[54] **FLEXIBLE MEDICAL FLUID CONTAINER**

4,132,594	1/1979	Bank et al.	604/403 X
4,282,863	8/1981	Beigler et al.	604/410 X
5,423,762	6/1995	Hillstead	604/283 X

[75] Inventors: **Lawrence Callan**, Hamilton Square;
John J. Niedospial, Jr., Burlington;
Michael N. Eakins, East Windsor, all
of N.J.

Primary Examiner—Louis S. Zarfaz
Assistant Examiner—Frank Martinez
Attorney, Agent, or Firm—Imre Balogh

[73] Assignee: **Bracco Diagnostics, Inc.**, Princeton,
N.J.

[57] **CLAIM**

[**] Term: **14 Years**

The ornamental design for the flexible medical fluid container, as shown and described.

[21] Appl. No.: **57,686**

DESCRIPTION

[22] Filed: **Jul. 30, 1996**

[51] LOC (6) Cl. **24-01**

[52] U.S. Cl. **D24/118**

[58] Field of Search D24/129, 118,
D24/108, 107, 169, 164; D9/305, 304;
128/760, DIG. 24; 604/408, 410, 283, 4,
905, 30

FIG. 1 is a front elevational view of a flexible medical fluid container showing my new design;

FIG. 2 is a left side elevational view thereof;

FIG. 3 is a right side elevational view thereof;

FIG. 4 is a rear elevational view thereof;

FIG. 5 is a top plan view thereof; and,

FIG. 6 is a bottom plan view thereof.

[56] **References Cited**

U.S. PATENT DOCUMENTS

3,550,839 12/1970 Clayton D9/305 X

1 Claim, 2 Drawing Sheets

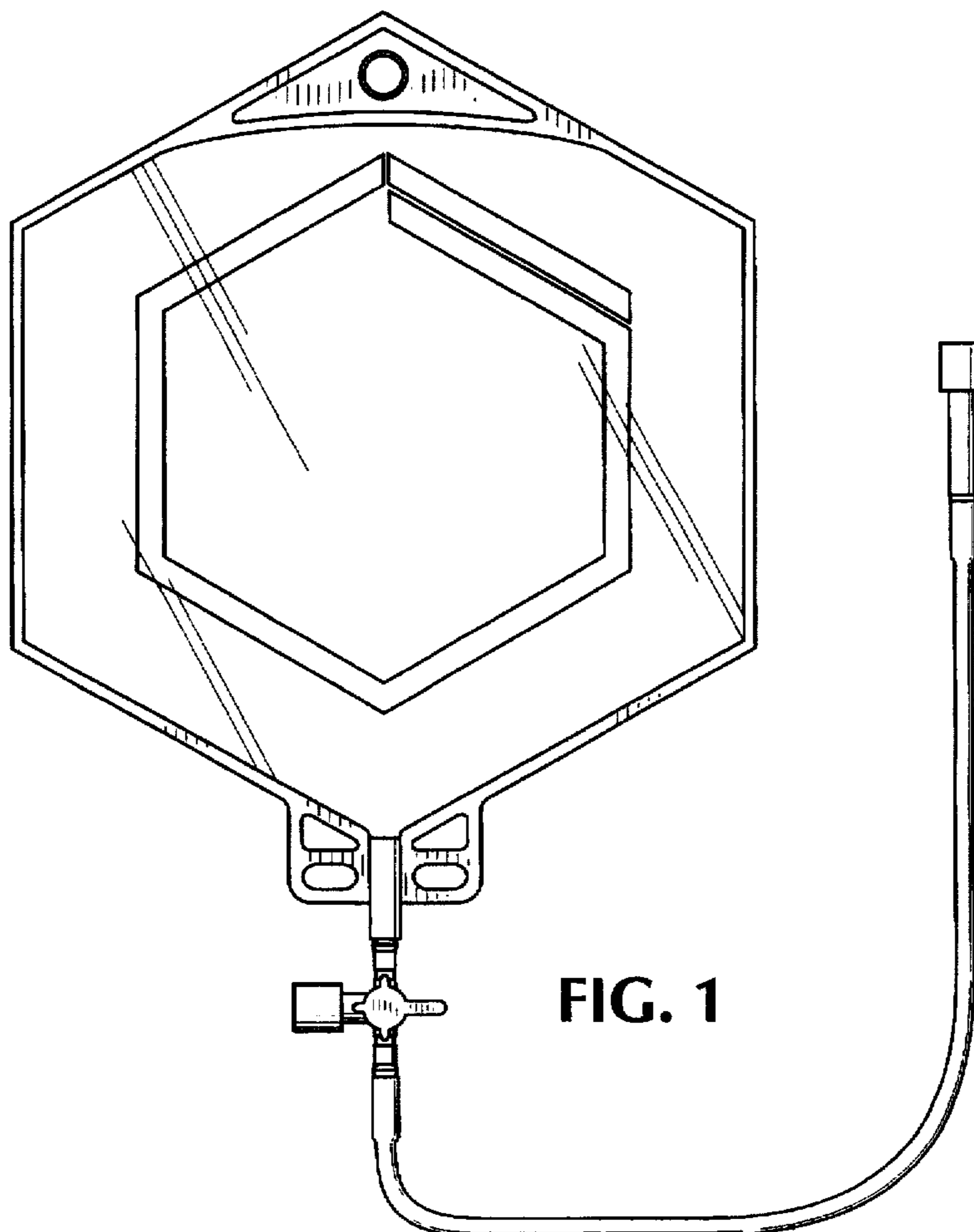


FIG. 1

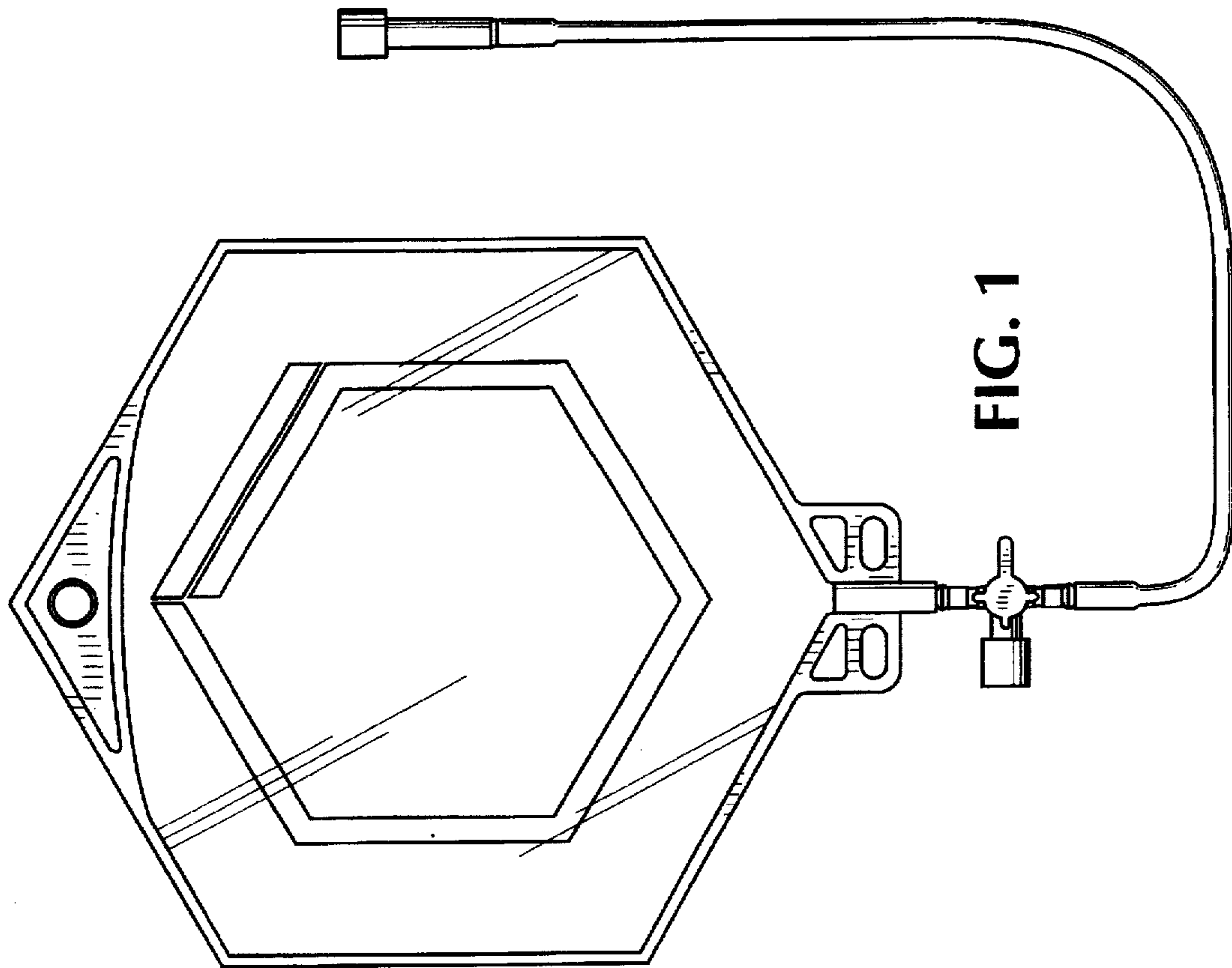
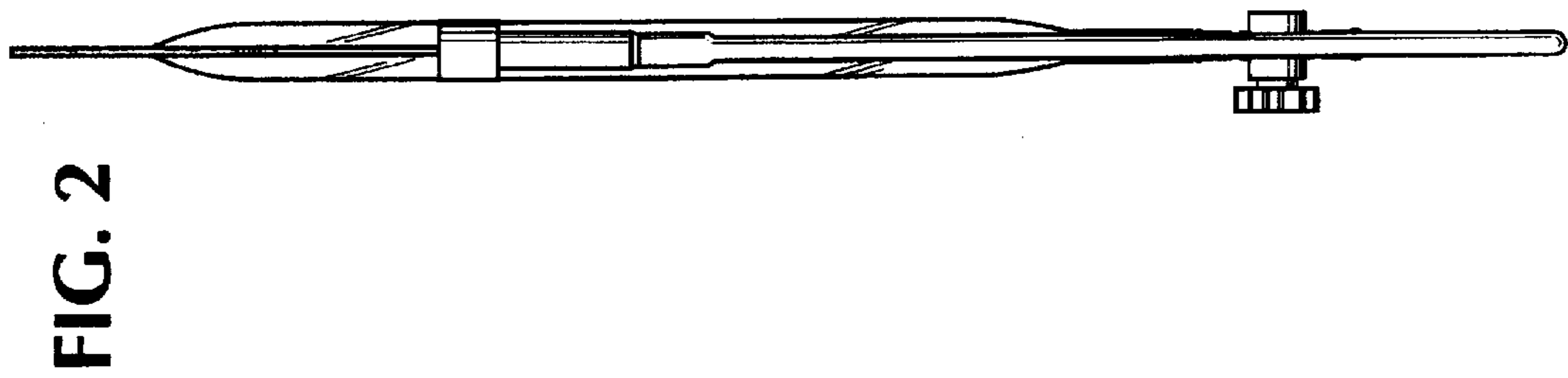
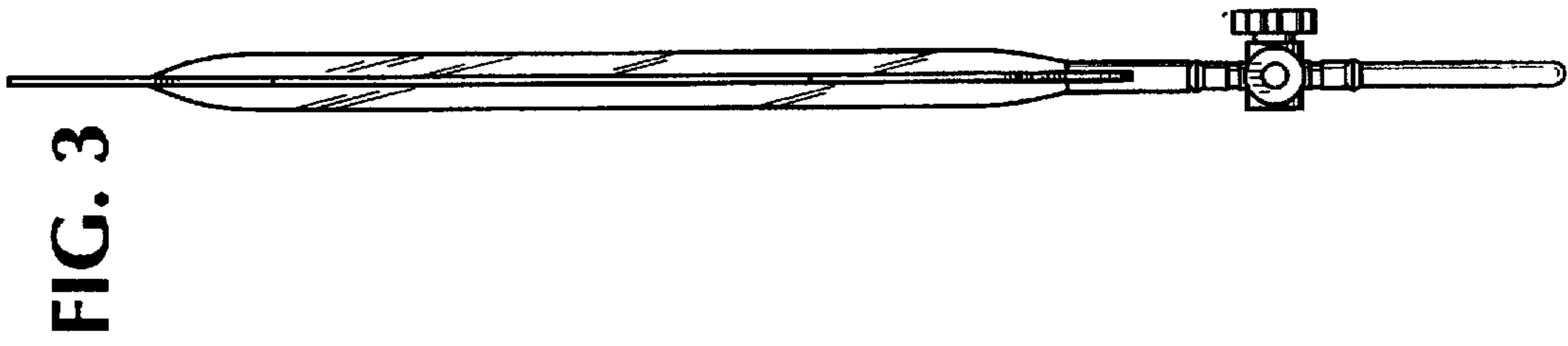


FIG. 5

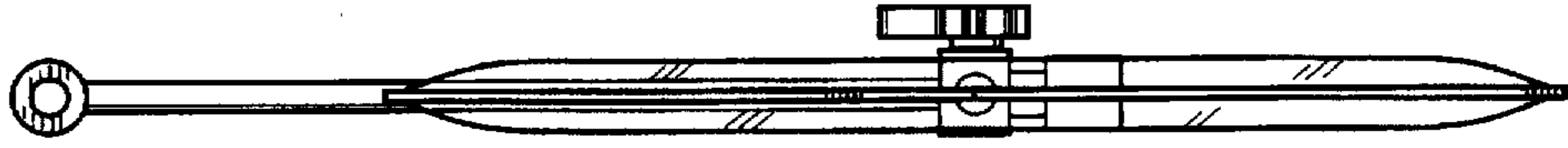


FIG. 4

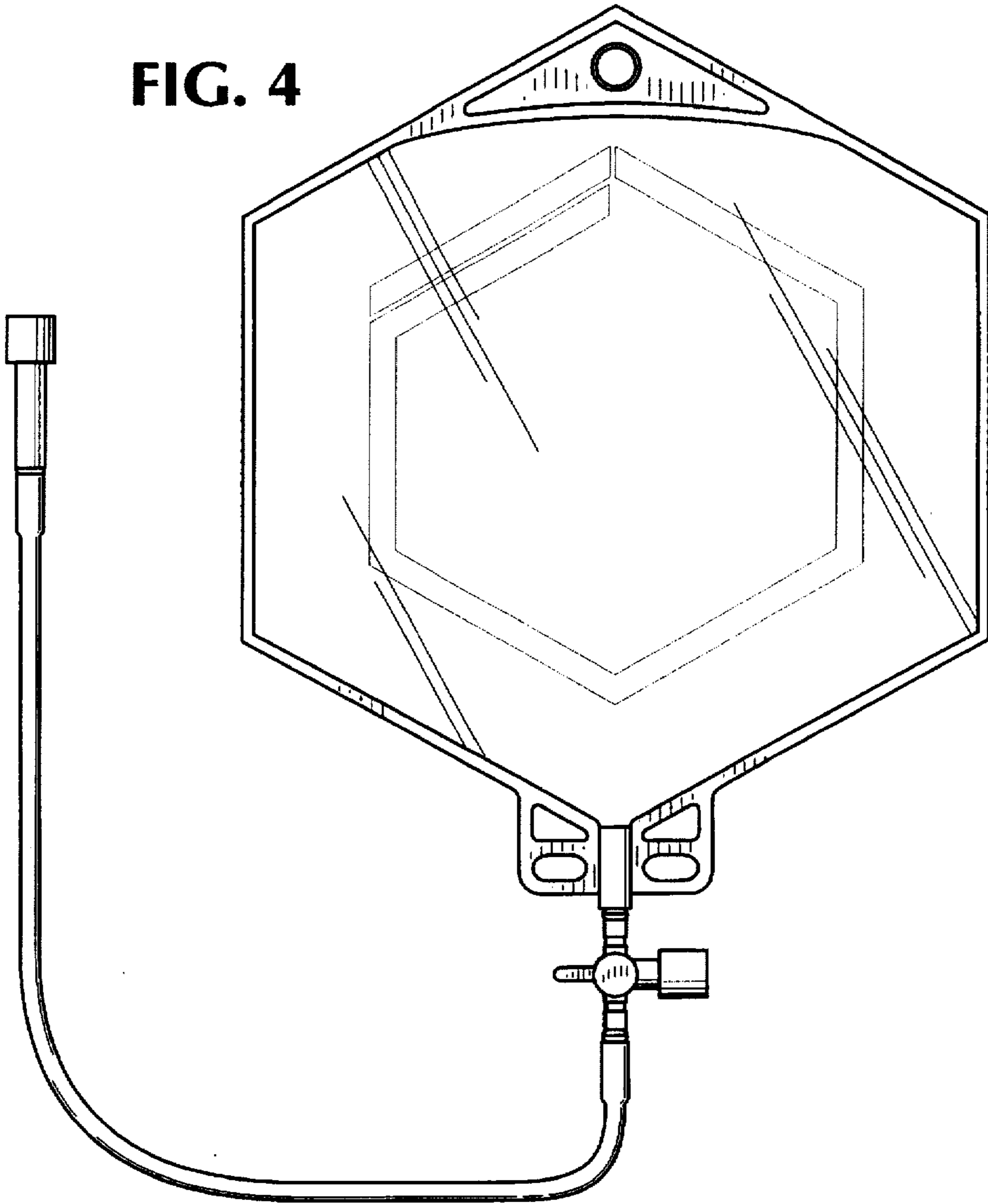


FIG. 6

