



US00D385028S

United States Patent [19]

[11] Patent Number: Des. 385,028

Niedospial, Jr. et al.

[45] Date of Patent: **Oct. 14, 1997

[54] FLEXIBLE MEDICAL FLUID CONTAINER

[75] Inventors: John J. Niedospial, Jr., Burlington, N.J.; Imre Balogh, Perkasié, Pa.

[73] Assignee: Bracco Diagnostics, Inc., Princeton, N.J.

[**] Term: 14 Years

[21] Appl. No.: 57,684

[22] Filed: Jul. 30, 1996

[51] LOC (6) CL 24-04

[52] U.S. Cl. D24/118

[58] Field of Search D24/118, 129, D24/108, 107, 164, 169; D9/305, 306; 128/DIG. 24, 760; 604/408, 410, 283, 4, 905, 30

D. 303,574	9/1989	Steer	D24/51
D. 303,575	9/1989	Steer	D24/51
D. 306,759	3/1990	D' Alo	D24/58
D. 323,389	1/1992	Aoki et al.	D24/117
D. 347,993	6/1994	Lane et al.	D9/305
D. 354,129	1/1995	Salvadori	D24/118
D. 354,906	1/1995	Lane et al.	D9/305
3,550,839	12/1970	Clayton	D9/305 X
4,132,594	1/1979	Bank et al.	604/408 X
4,282,863	8/1981	Beigler et al.	604/410 X
5,423,762	6/1995	Hillstead	604/283 X

FOREIGN PATENT DOCUMENTS

9116861 11/1991 WIPO 604/408

Primary Examiner—Louis S. Zarfás
Assistant Examiner—Frank Martínez
Attorney, Agent, or Firm—Imre Balogh

[57] CLAIM

The ornamental design for the flexible medical fluid container, as shown and described.

DESCRIPTION

FIG. 1 is a front elevational view of a flexible medical fluid container showing my new design; FIG. 2 is a left side elevational view thereof; FIG. 3 is a right side elevational view thereof; FIG. 4 is a rear elevational view thereof; FIG. 5 is a top plan view thereof; and, FIG. 6 is a bottom plan view thereof.

1 Claim, 2 Drawing Sheets

[56] References Cited

U.S. PATENT DOCUMENTS

D. 192,987	1/1962	Waldman	D83/1
D. 200,034	1/1965	Zytko et al.	D83/1
D. 229,786	1/1974	Kinkel et al.	D83/1 U
D. 284,035	5/1986	Leeuwe et al.	D24/58
D. 298,567	11/1988	Morris	D24/58
D. 302,306	7/1989	Steer	D24/51
D. 302,307	7/1989	Steer	D24/51

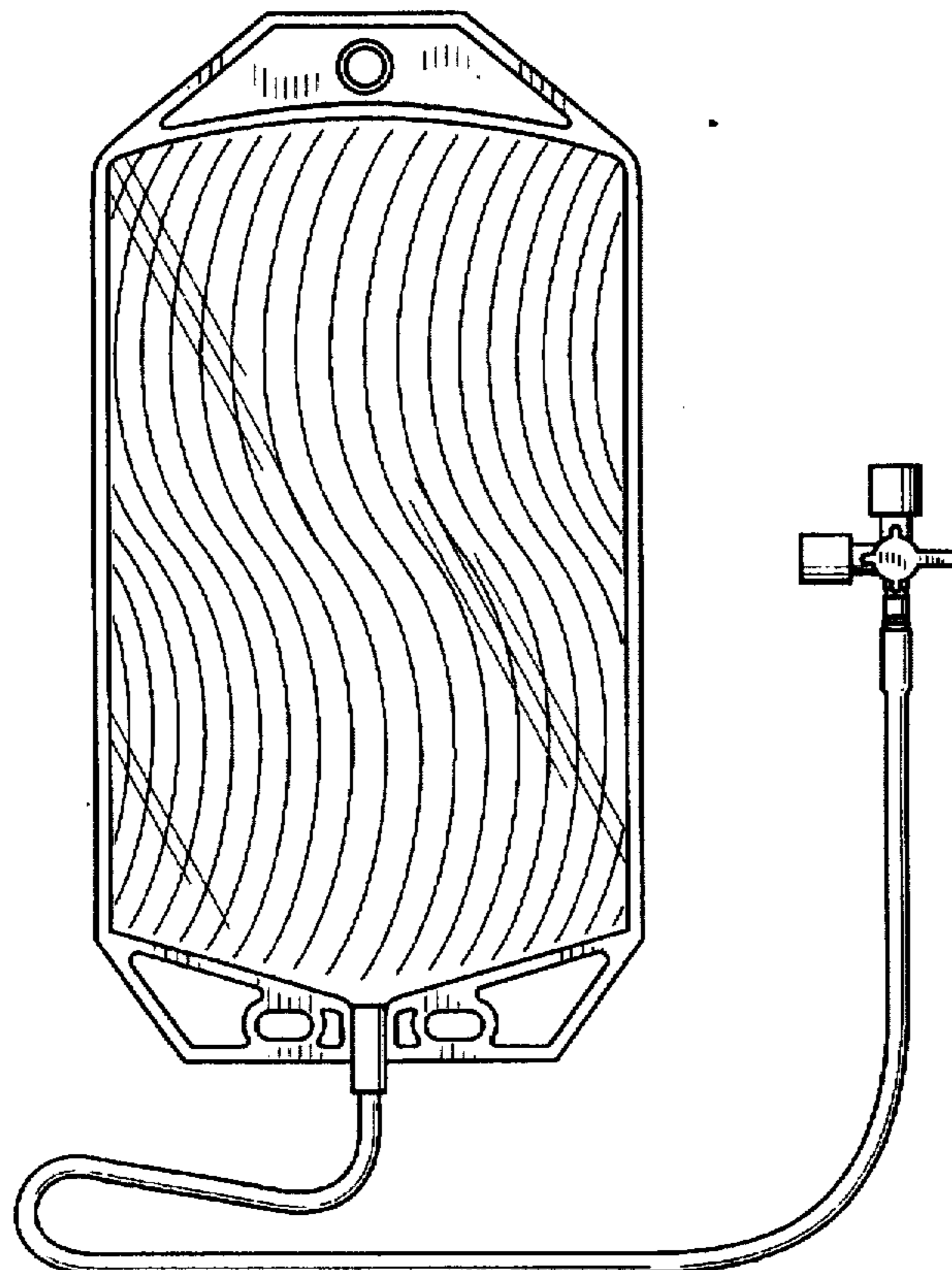


FIG. 1

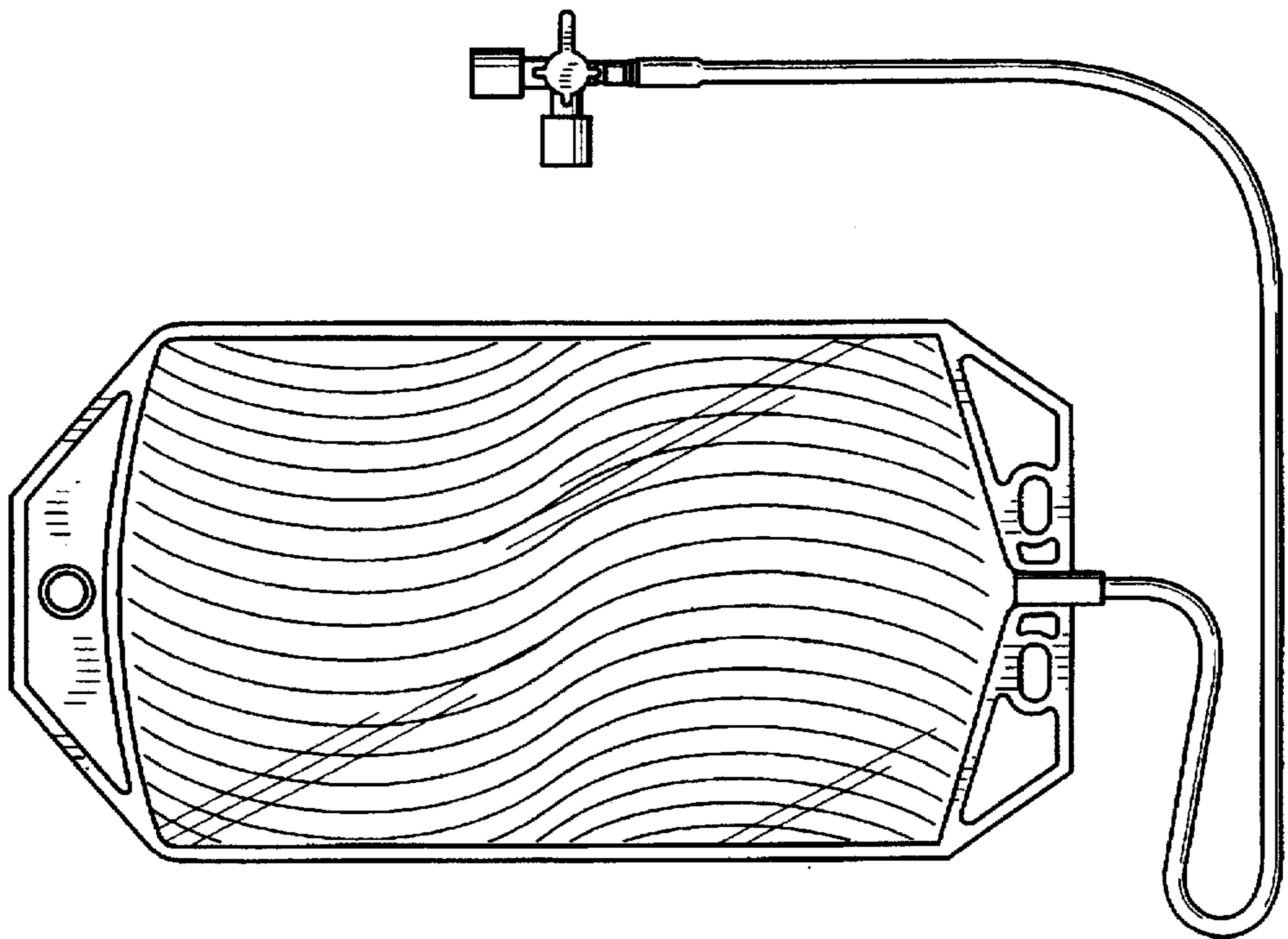


FIG. 2



FIG. 3

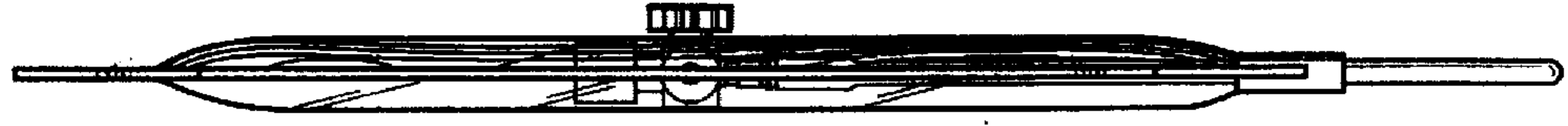


FIG. 5



FIG. 4

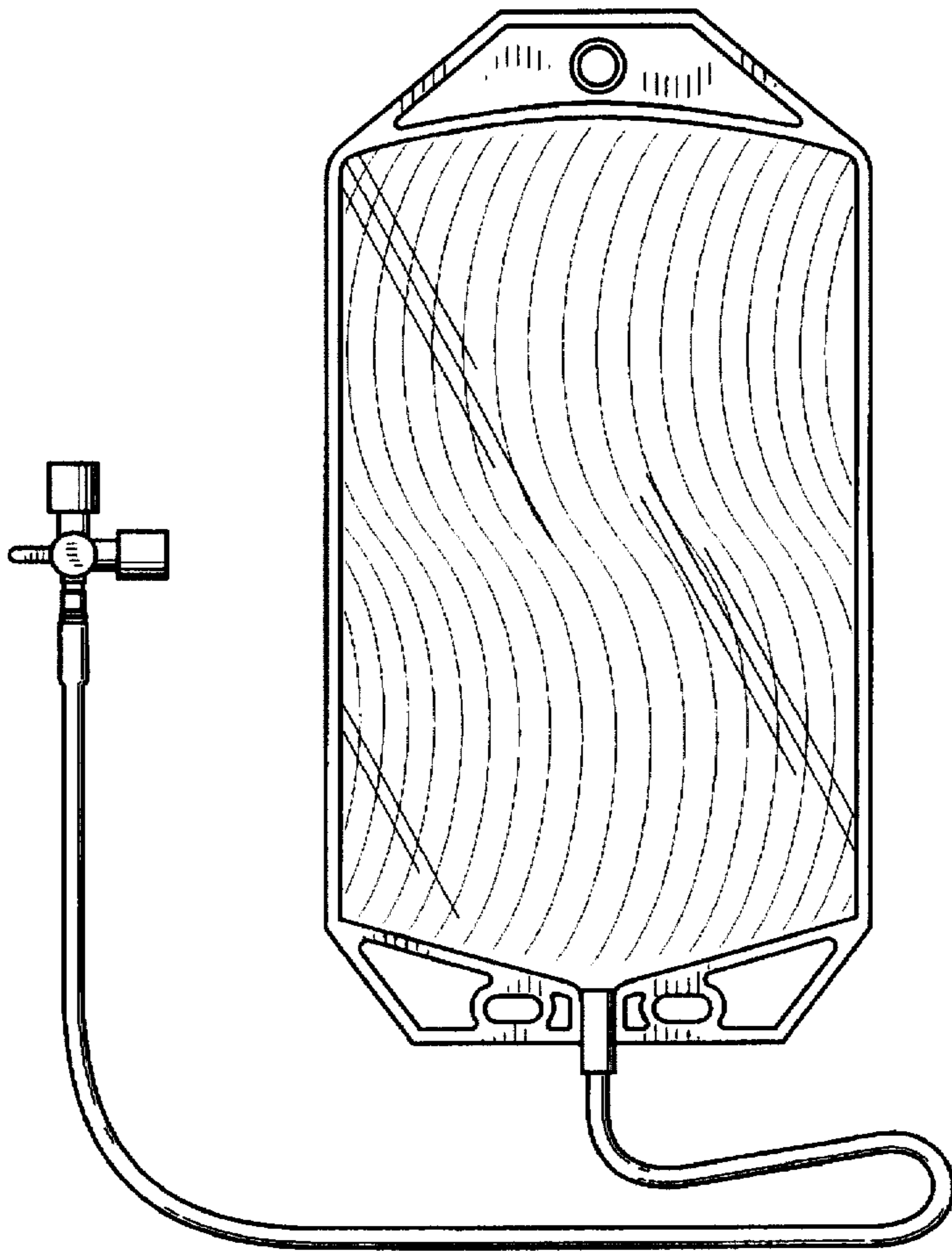


FIG. 6

