



US00D385026S

# United States Patent [19]

[11] Patent Number: **Des. 385,026**

Liu

[45] Date of Patent: **\*\*Oct. 14, 1997**

## [54] COMBINED CEILING FAN AND LIGHT FIXTURE

[76] Inventor: **Chen-Tze Liu**, No. 465 Shuei-Yuan Road, Feng-Yuan City, Taichung County, Taiwan

[\*\*] Term: **14 Years**

[21] Appl. No.: **58,501**

[22] Filed: **Aug. 16, 1996**

[51] LOC (6) Cl. .... **23-04**

[52] U.S. Cl. .... **D23/377; D23/379; D23/385; D26/81**

[58] Field of Search ..... **D23/377, 379, D23/385, 411, 413; 416/5; 392/364; 362/96; D26/81-86, 88, 72, 59, 51**

### [56] References Cited

#### U.S. PATENT DOCUMENTS

D. 315,946 4/1991 Hollbrook ..... D26/86

## OTHER PUBLICATIONS

Minka ◊ Aire Adv. Cat. p. 43, Ceiling Fan (A) lower right side of page.

*Primary Examiner*—Lisa Lichtenstein

*Attorney, Agent, or Firm*—Morton J. Rosenberg; David I. Klein

## [57] CLAIM

The ornamental design for a combined ceiling fan and light fixture, as shown.

## DESCRIPTION

FIG. 1 is a front elevational view of ceiling fan showing my new design;

FIG. 2 is a left side elevational view thereof;

FIG. 3 is a right side elevational view thereof;

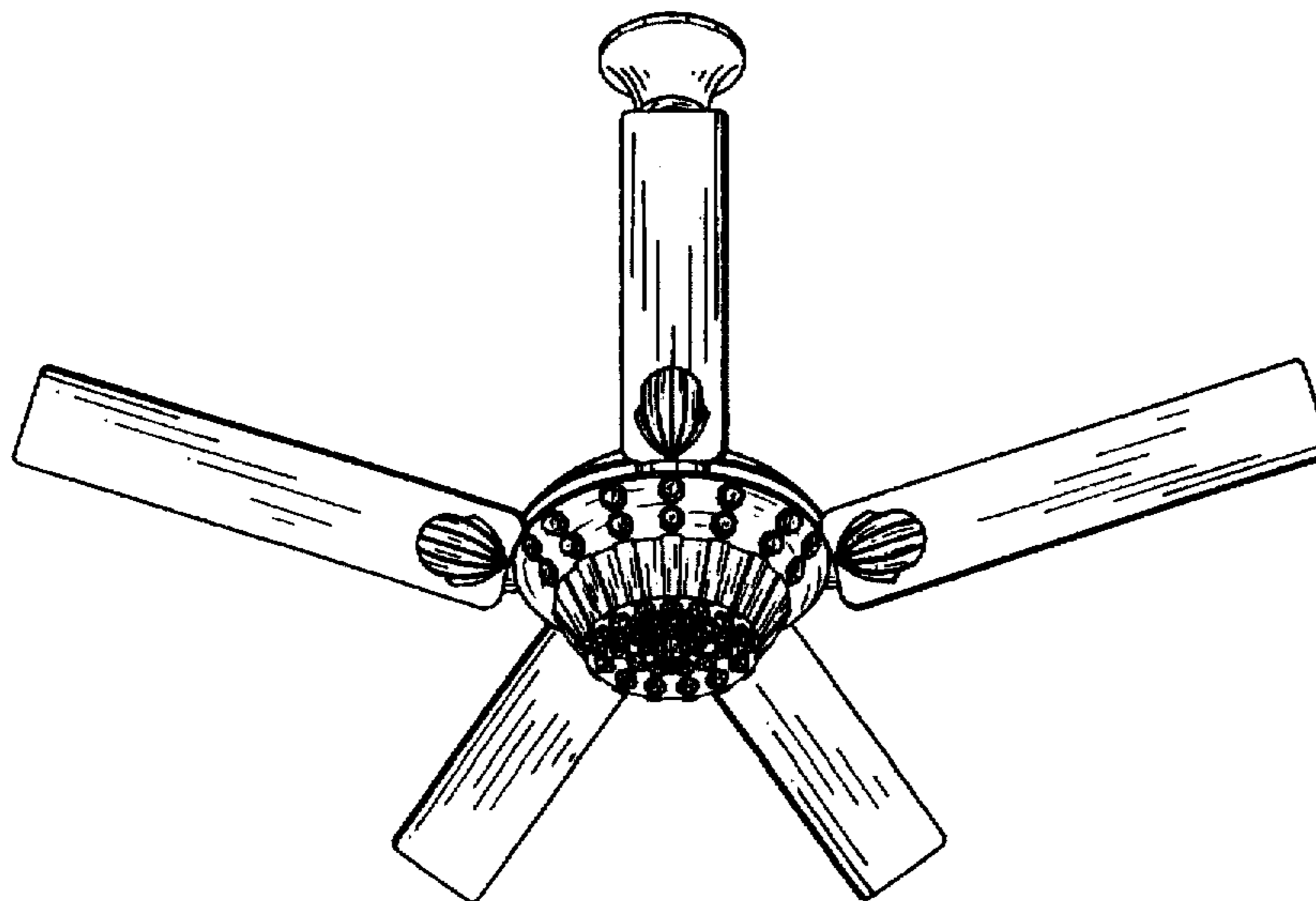
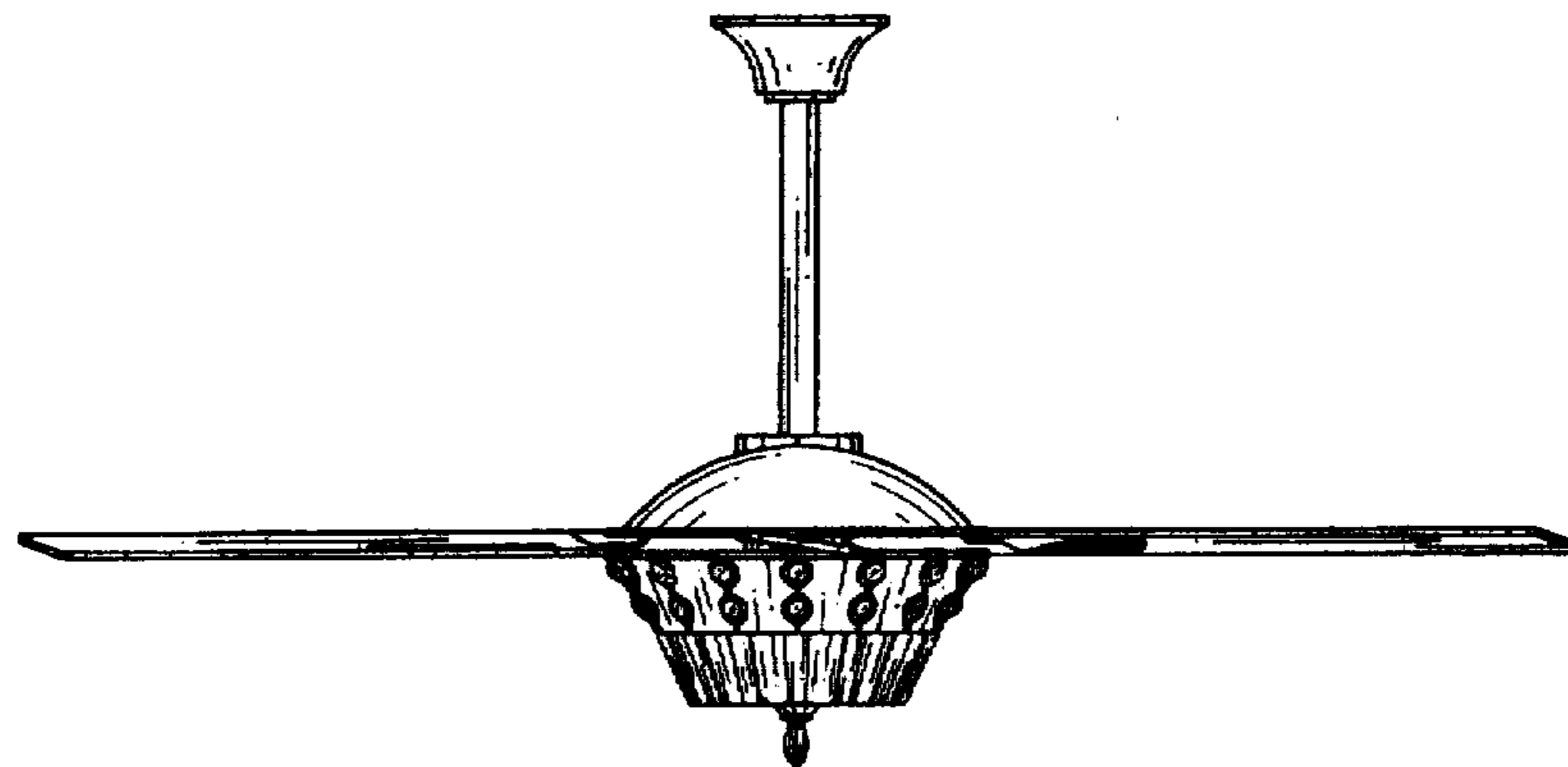
FIG. 4 is a top plan view thereof;

FIG. 5 is a bottom plan view thereof;

FIG. 6 is a rear elevational view thereof; and,

FIG. 7 is a perspective view thereof.

**1 Claim, 7 Drawing Sheets**



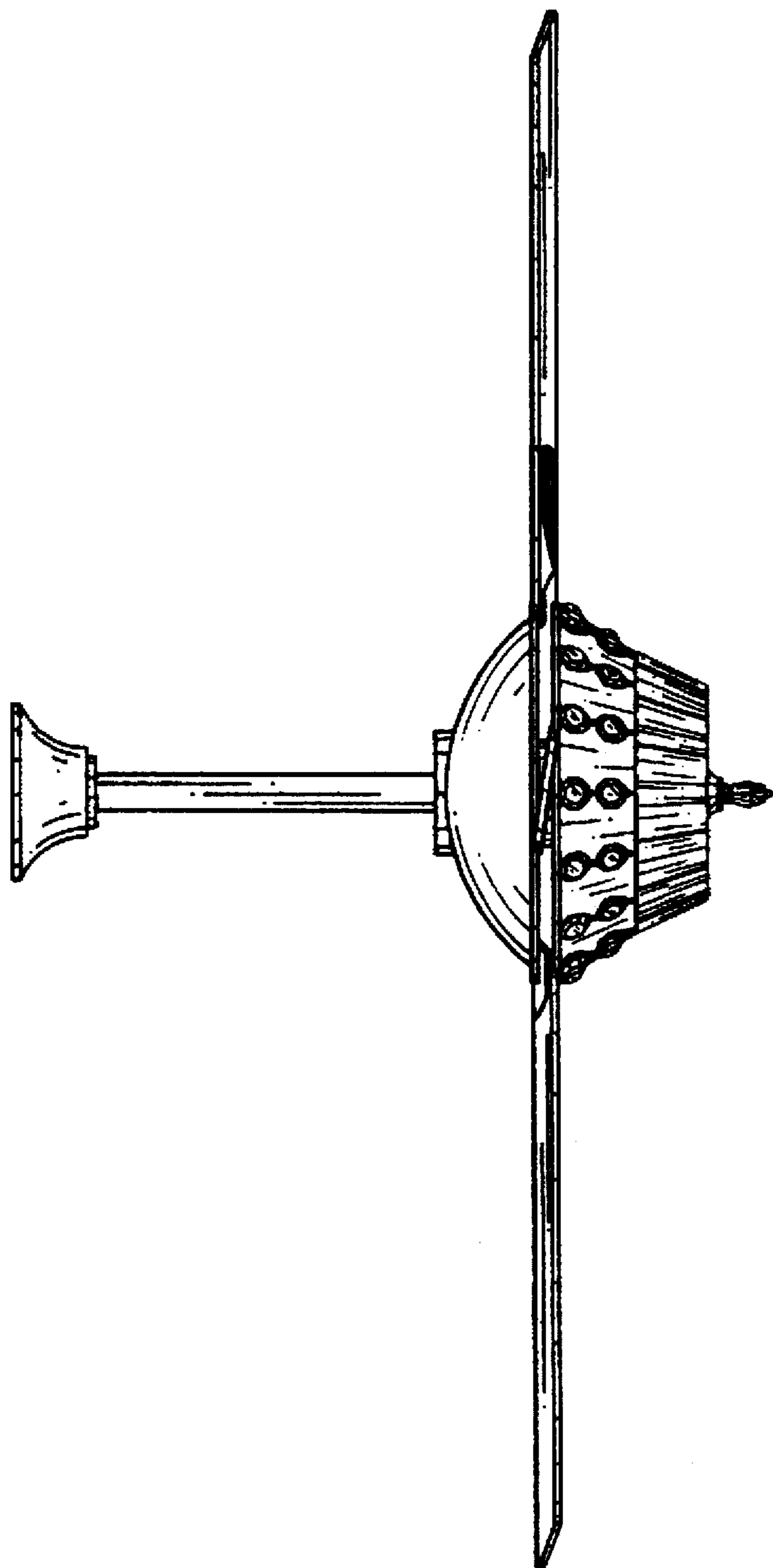


FIG. 1

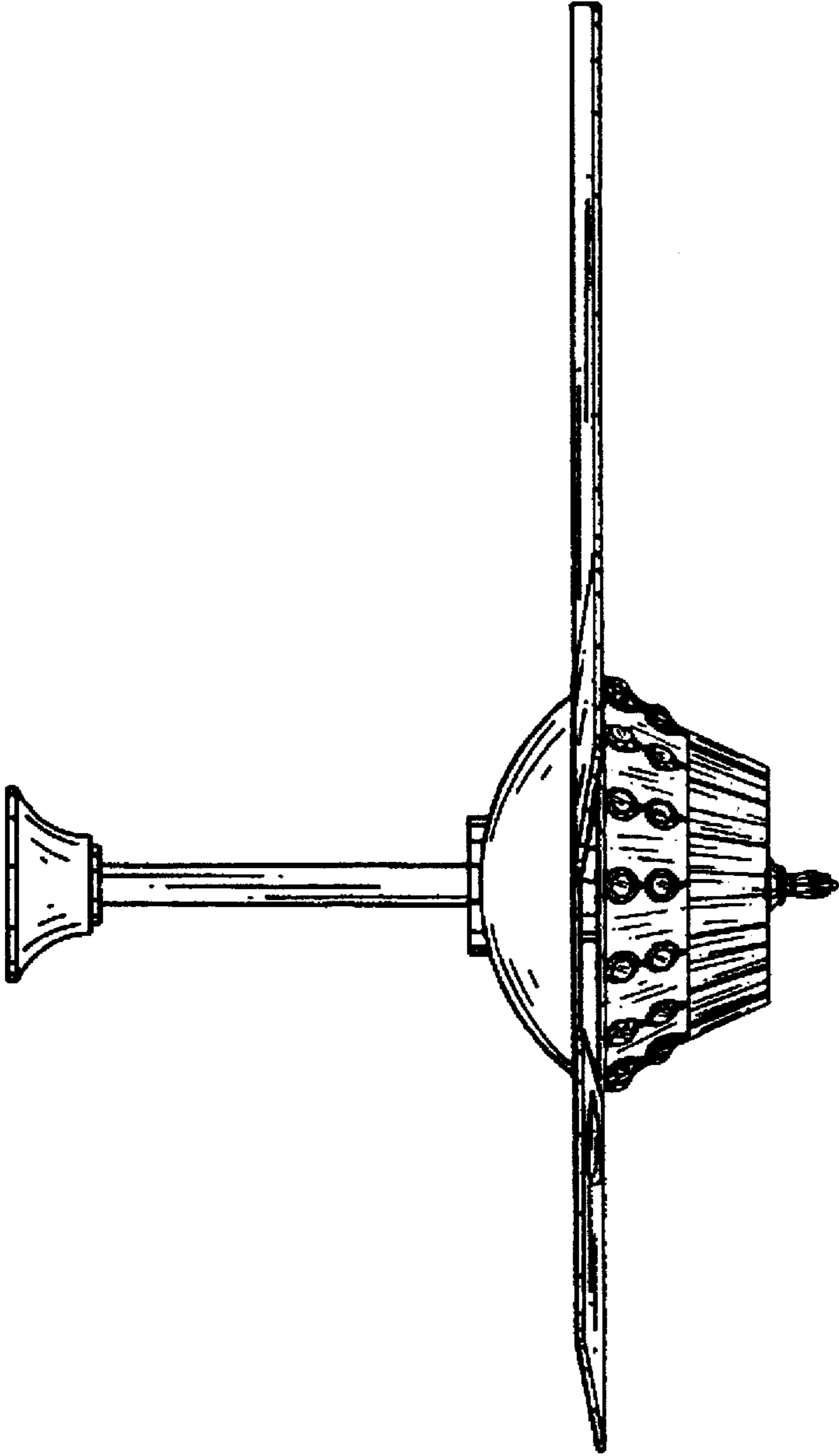


FIG. 2

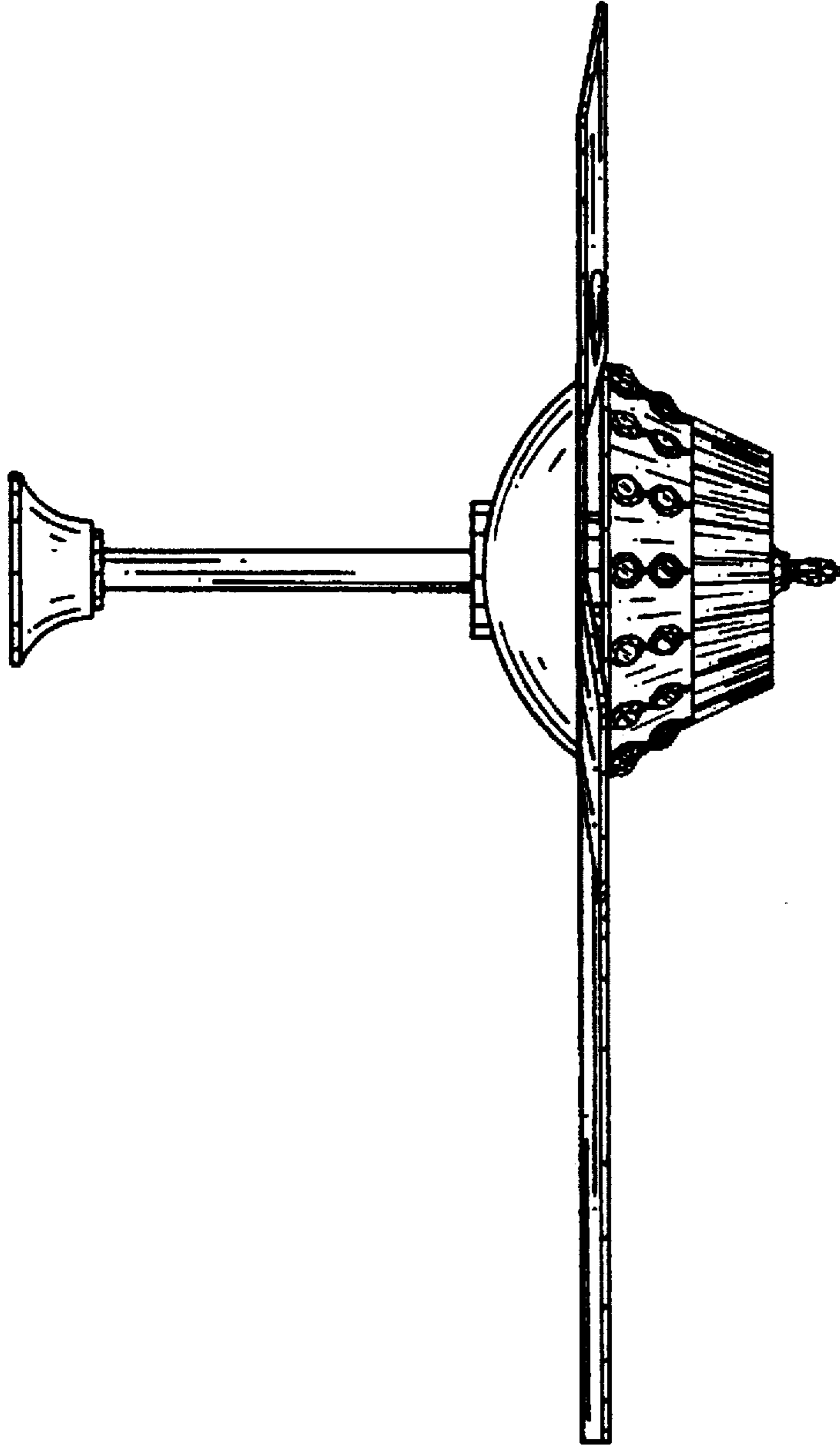


FIG. 3

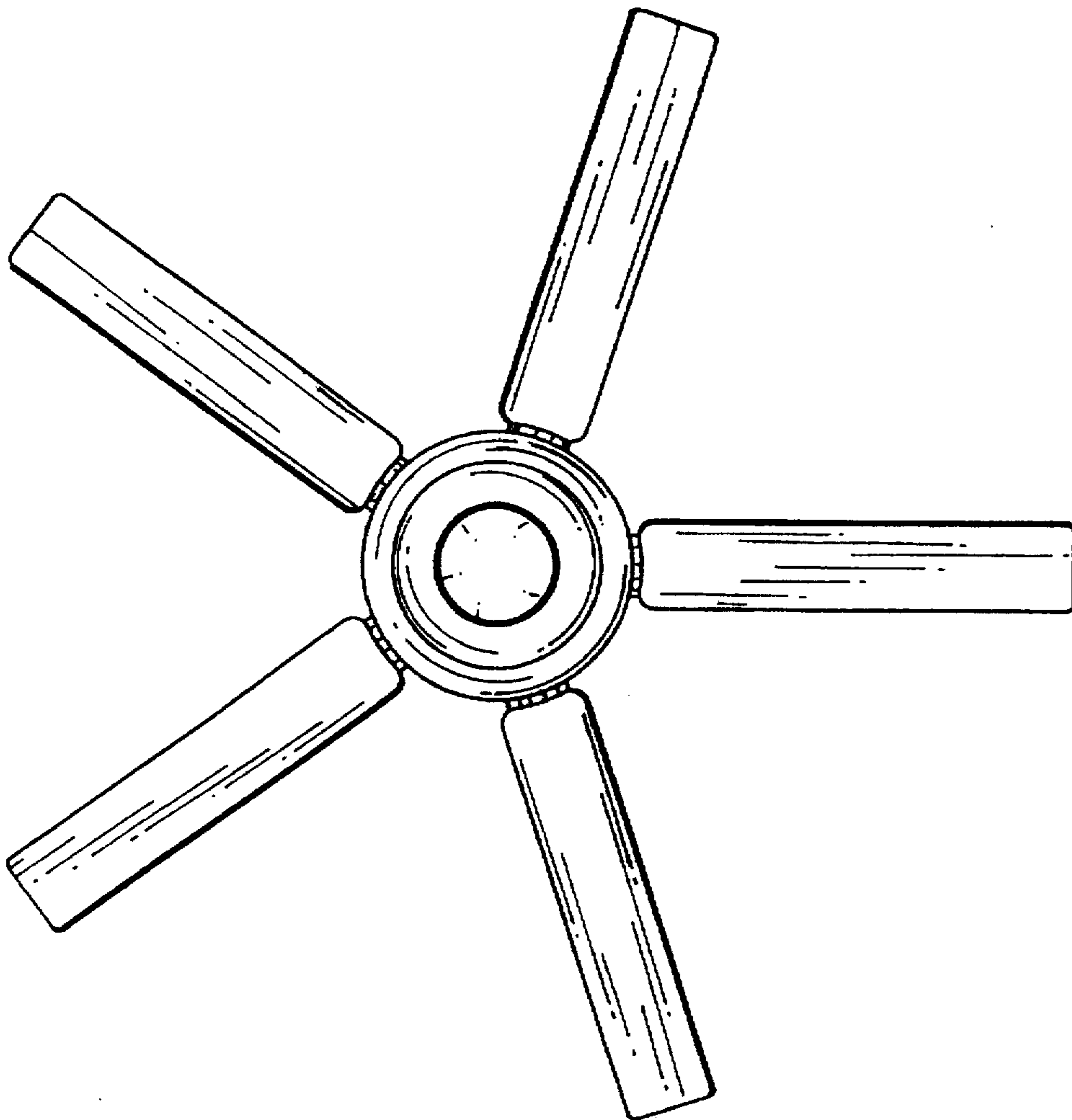


FIG. 4

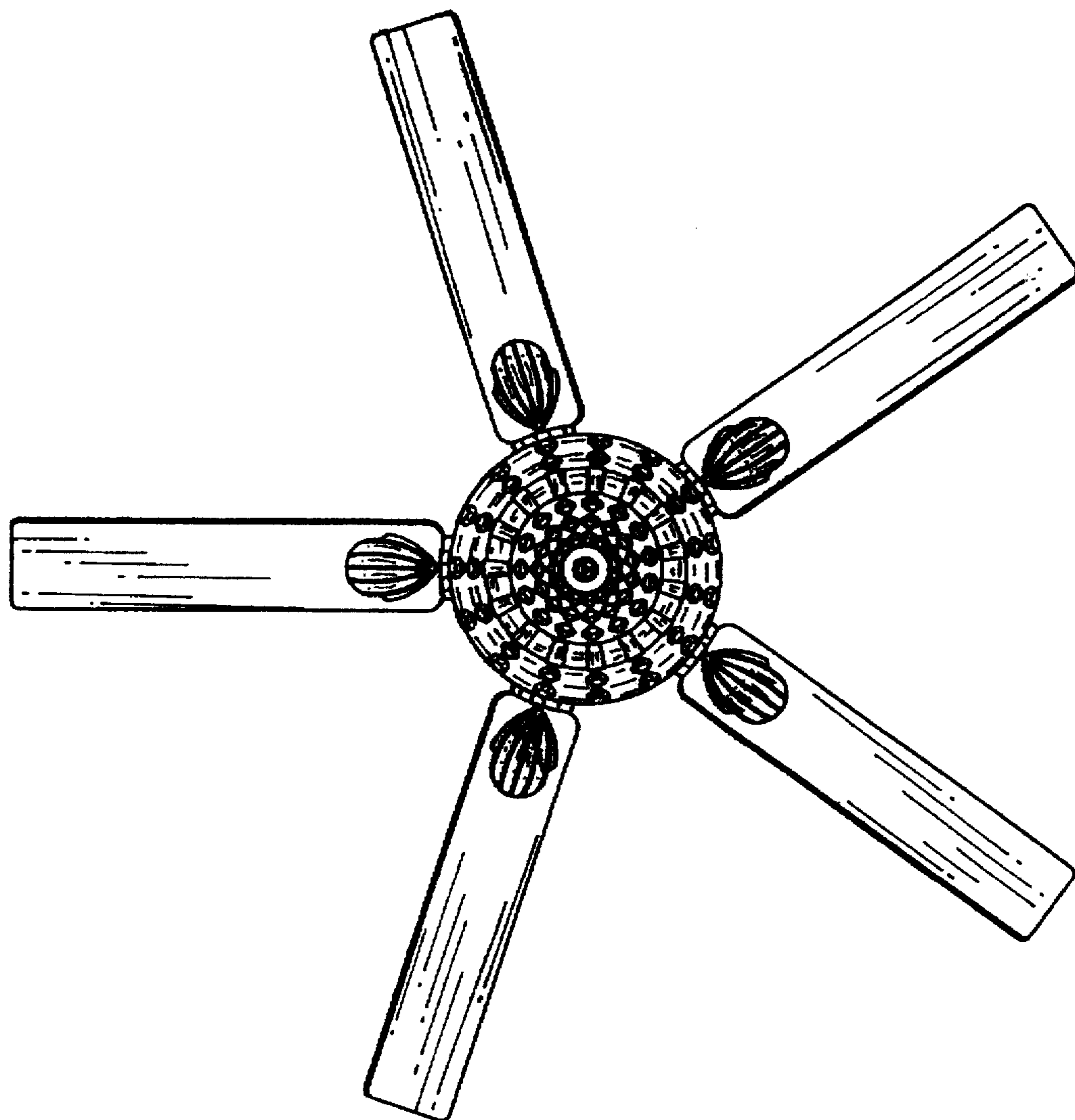


FIG. 5

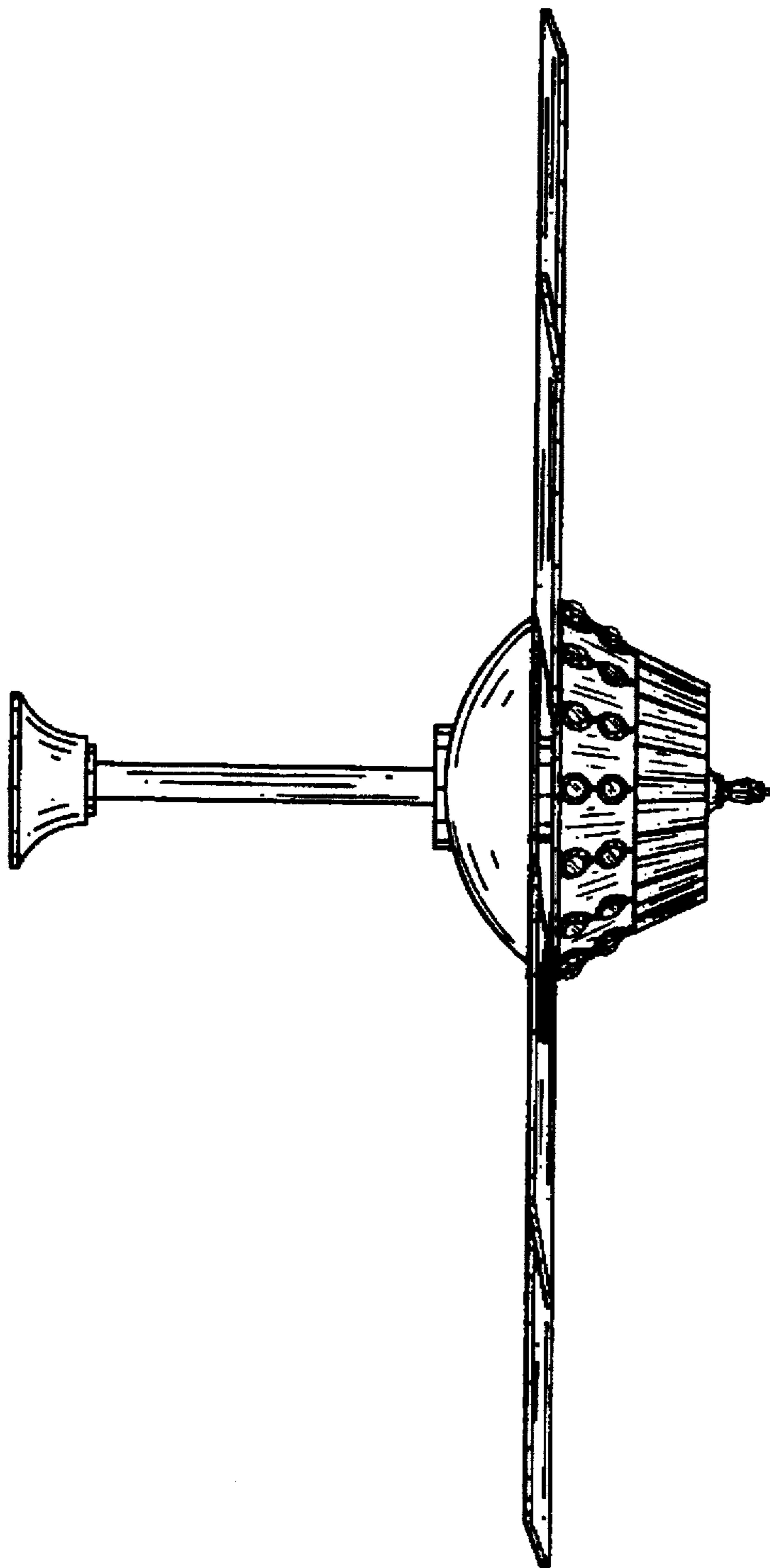


FIG. 6



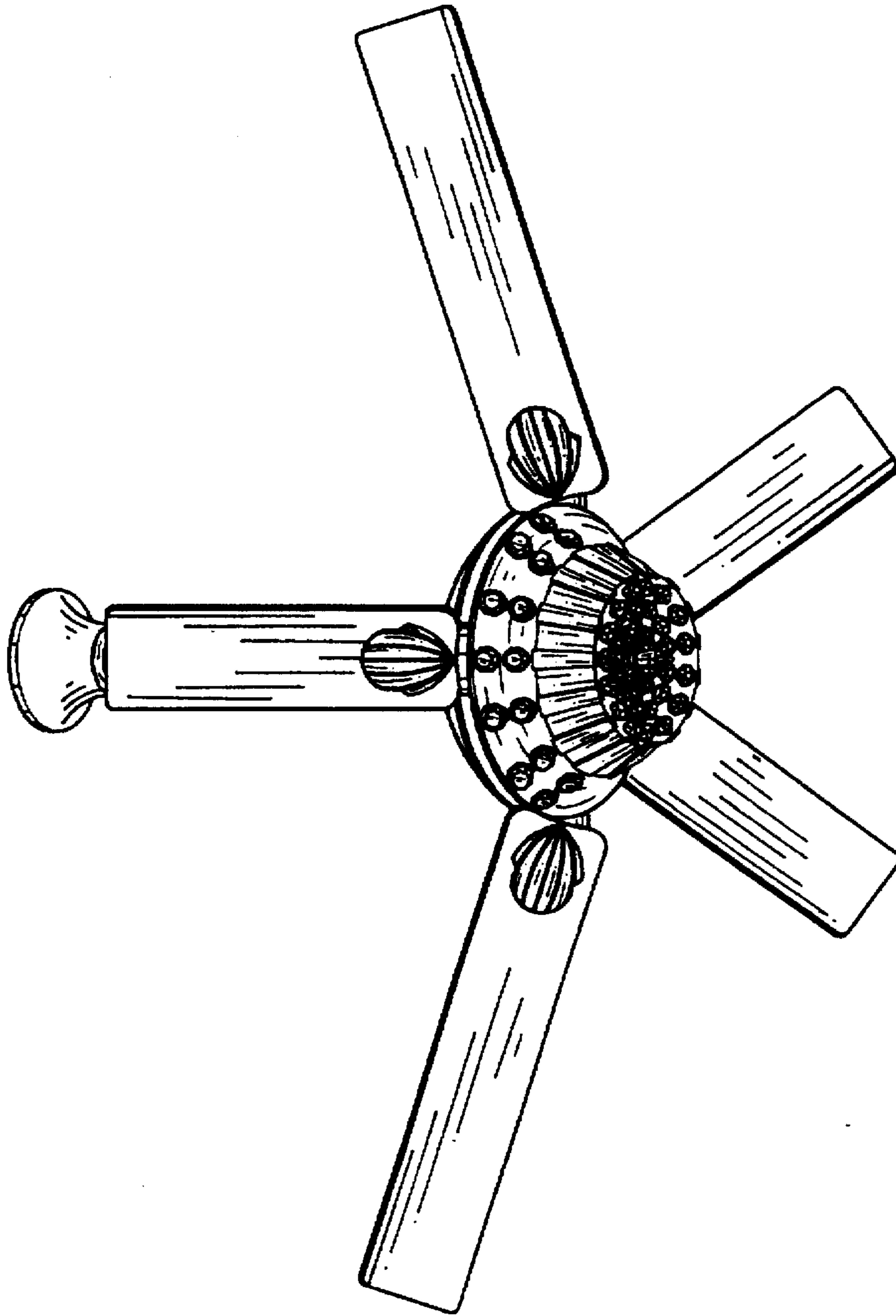


FIG. 7