



US00D385020S

**United States Patent** [19]  
**Francke**

[11] **Patent Number: Des. 385,020**  
[45] **Date of Patent: \*\*Oct. 14, 1997**

[54] **HINGE**  
[75] **Inventor: Kurt Francke, Huddinge, Sweden**  
[73] **Assignee: RFSU Rehab AB, Stockholm, Sweden**  
[\*\*] **Term: 14 Years**  
[21] **Appl. No.: 39,915**  
[22] **Filed: Jun. 7, 1995**

1,825,456 9/1931 Henn ..... 4/236  
4,398,307 8/1983 Ginsburg et al. .... 4/240 X  
4,974,262 12/1990 Rosen ..... 4/240 X  
5,175,891 1/1993 Ohshima et al. .... 4/240 X

*Primary Examiner*—Louis S. Zarfes  
*Assistant Examiner*—Eric Watterson  
*Attorney, Agent, or Firm*—Young & Thompson

**Related U.S. Application Data**

[62] Division of Ser. No. 24,616, Jun. 17, 1994, Pat. No. Des. 372,766.  
[51] **LOC (6) Cl. .... 23-02**  
[52] **U.S. Cl. .... D23/295**  
[58] **Field of Search .... D23/303, 311;**  
**D8/326; 4/234, 236, 240, 241; 16/290;**  
**49/396**

[57] **CLAIM**

The ornamental design for a hinge, as shown in the drawings.

**DESCRIPTION**

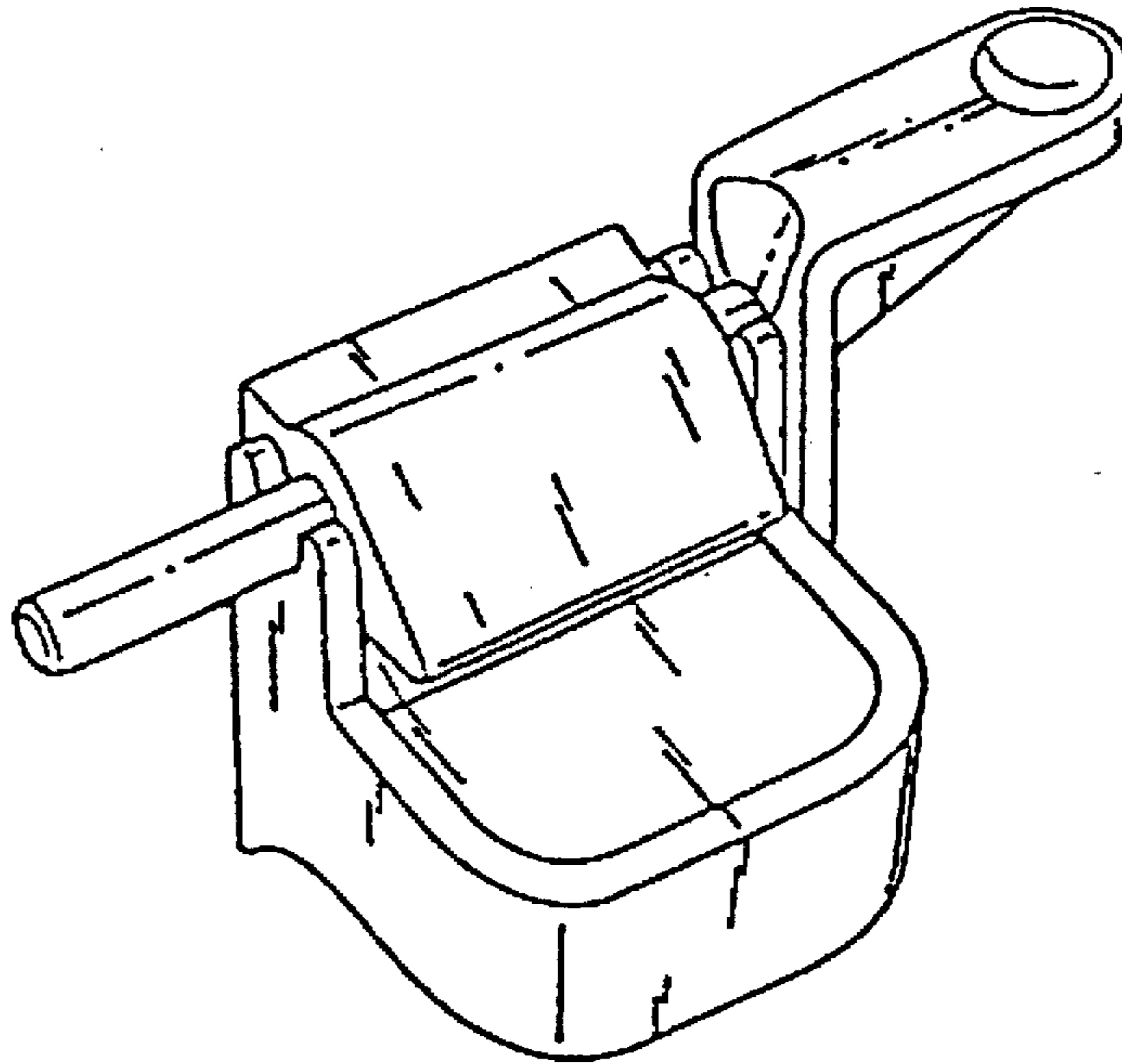
FIG. 1 is a front perspective view of the hinge of my new design;  
FIG. 2 is a right side elevation view thereof;  
FIG. 3 is a left side elevation view thereof;  
FIG. 4 is a top plan view thereof;  
FIG. 5 is a bottom plan view thereof; and,  
FIG. 6 is a front elevation view thereof.  
The rear view has not been shown since it is not part of the claim.

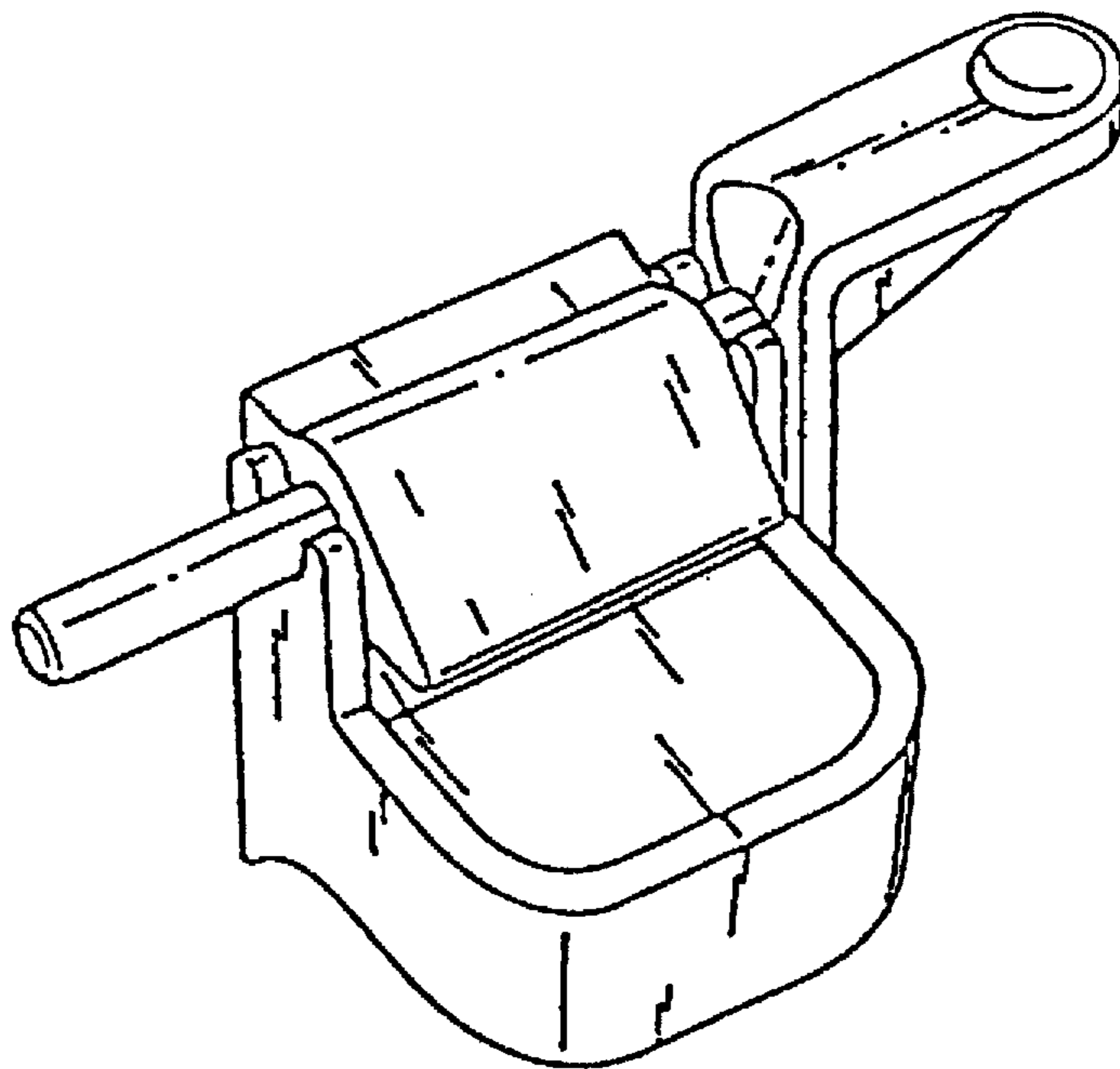
[56] **References Cited**

**U.S. PATENT DOCUMENTS**

1,683,272 9/1928 Tucker ..... 4/236

**1 Claim, 3 Drawing Sheets**





**FIG. 1**

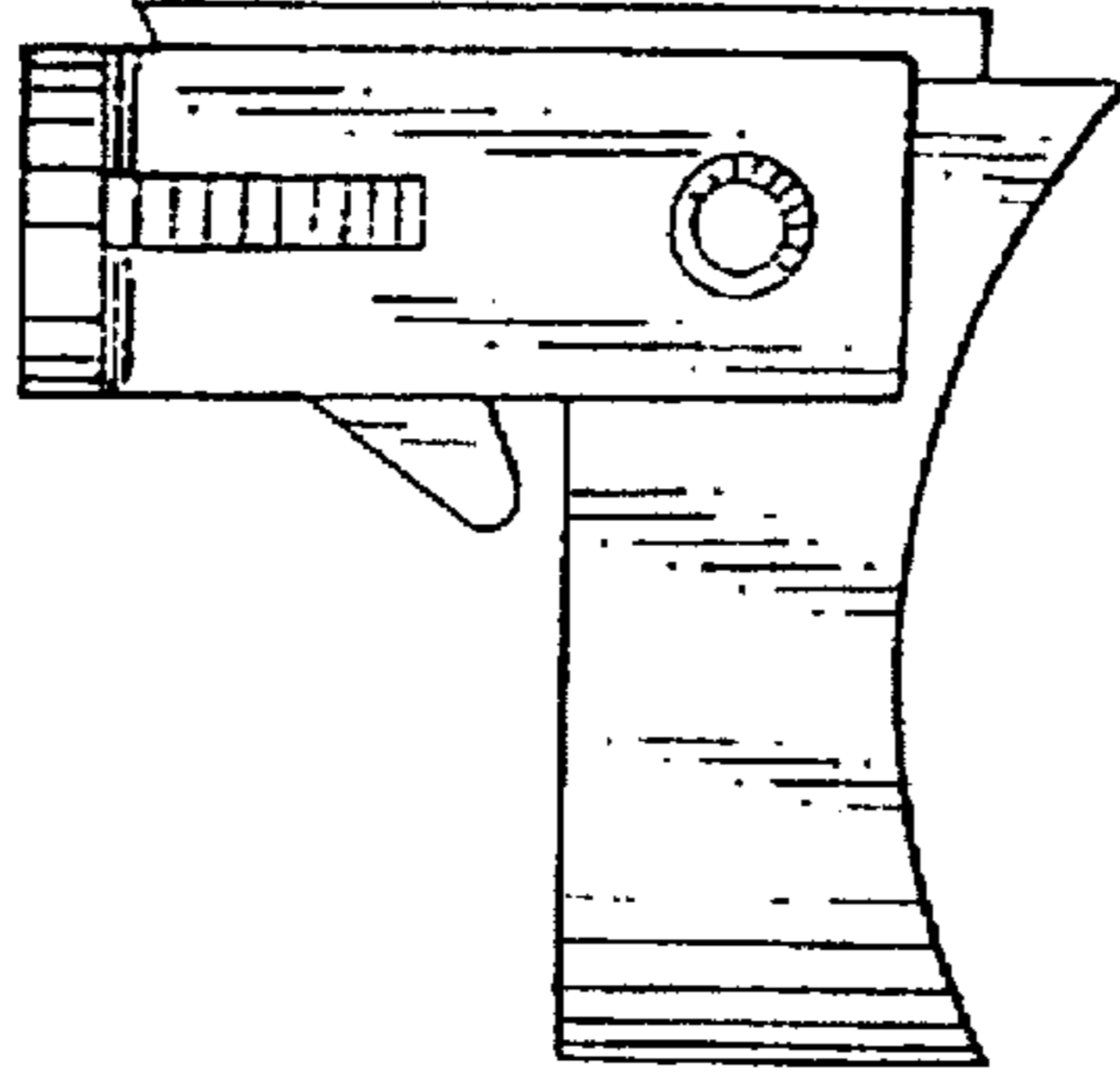


FIG. 2

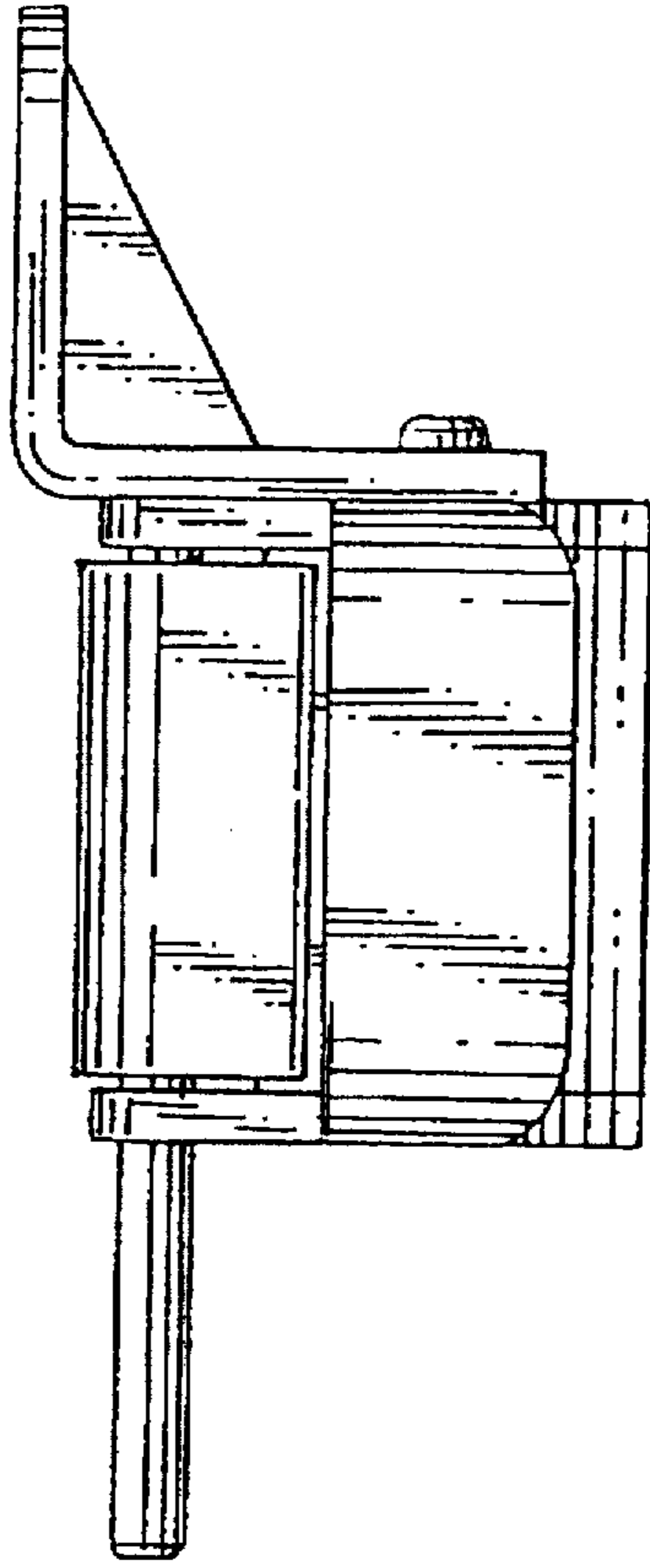


FIG. 6

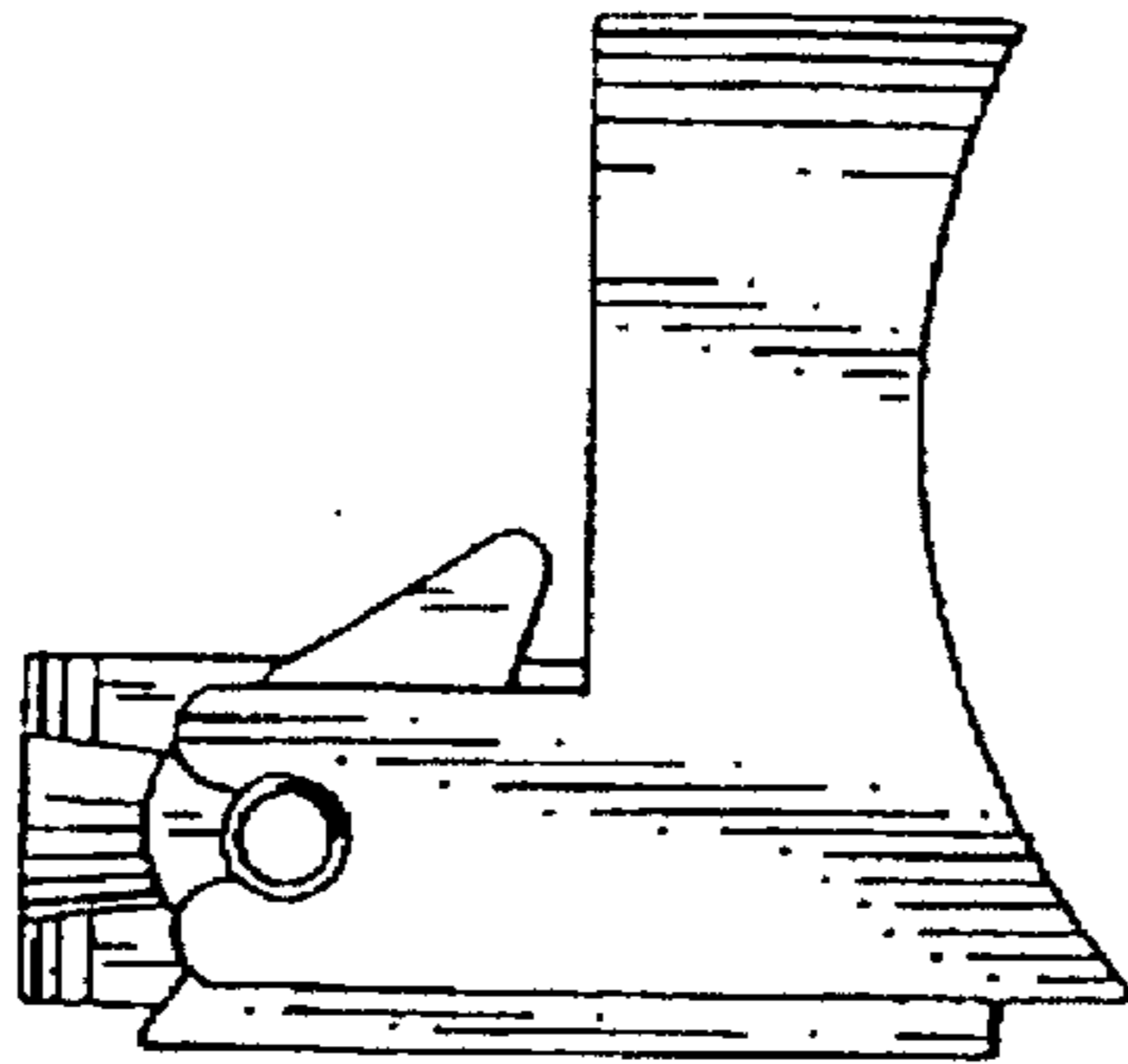


FIG. 3

FIG. 4

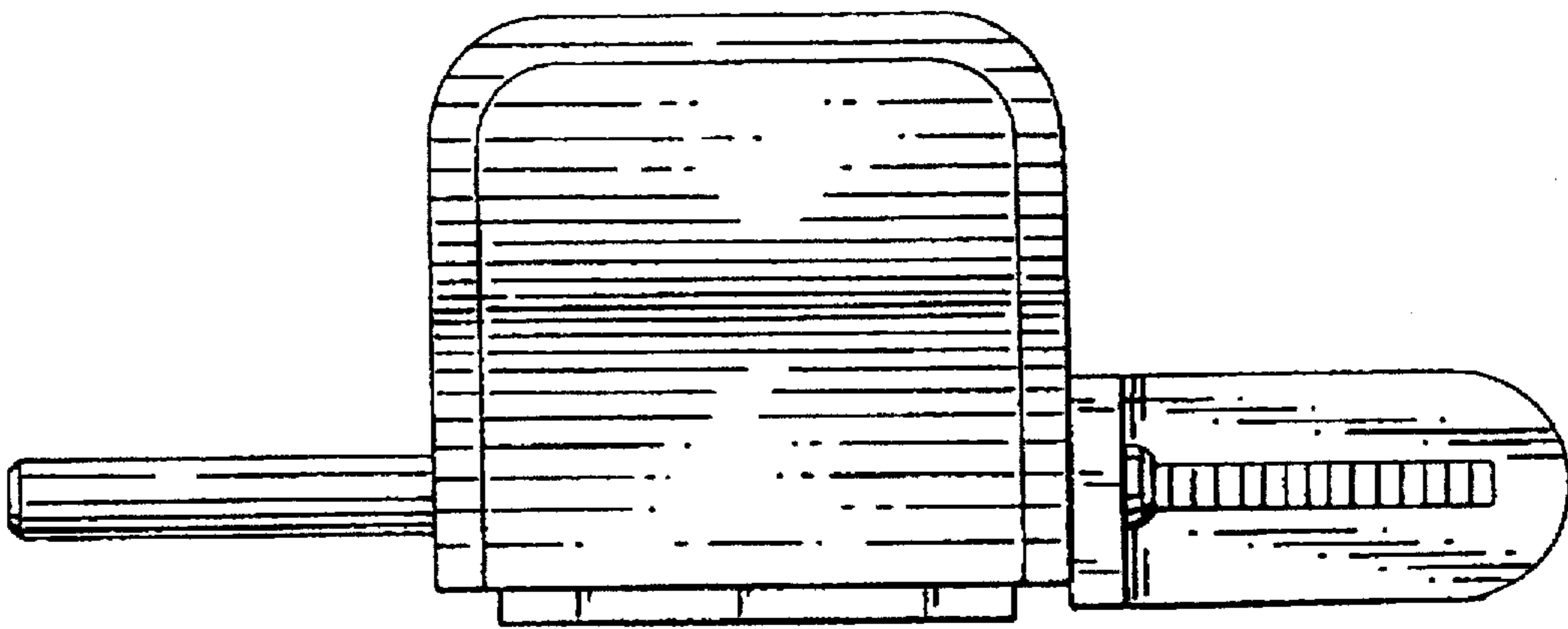
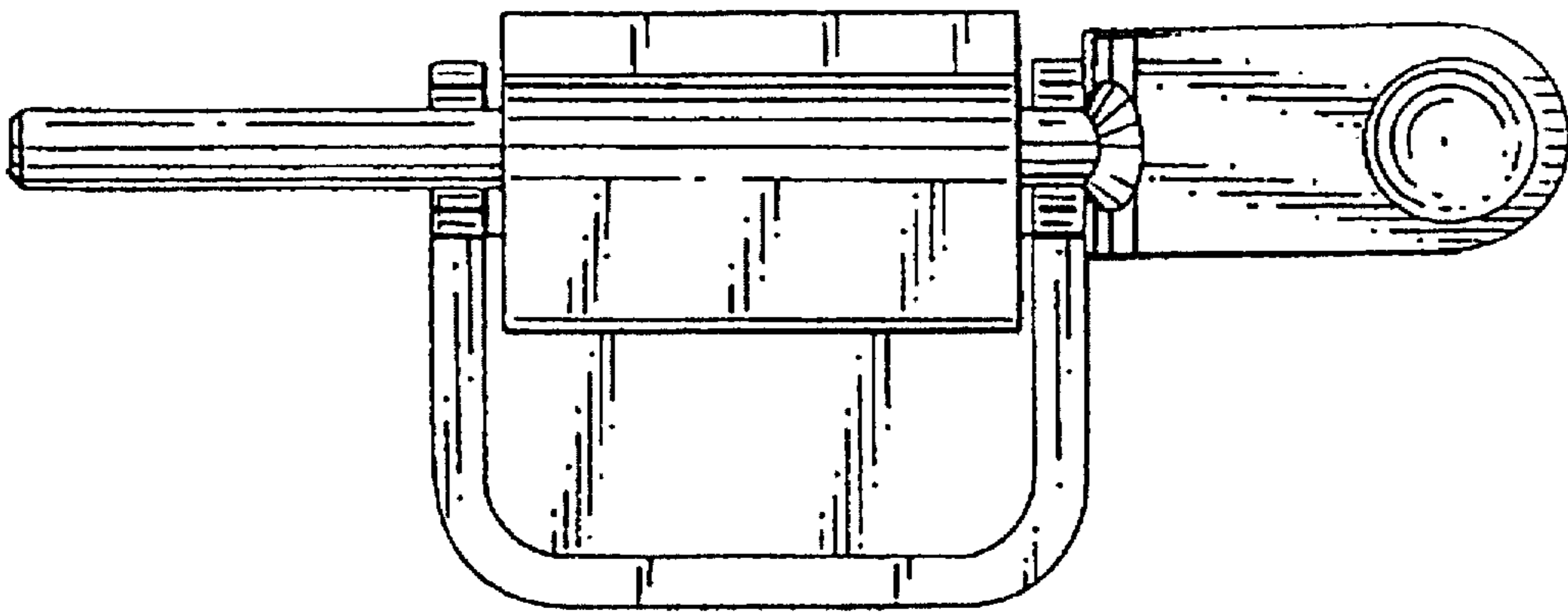


FIG. 5