



US00D385017S

United States Patent [19]
Daroff

[11] **Patent Number: Des. 385,017**
[45] **Date of Patent: **Oct. 14, 1997**

[54] **MAGNETIC DRAIN PROTECTION SET**

[76] **Inventor: Les Daroff, 208 Upland Rd., Merion Station, Pa. 19066**

[**] **Term: 14 Years**

[21] **Appl. No.: 44,060**

[22] **Filed: Sep. 15, 1995**

[51] **LOC (6) Cl. 23-02**

[52] **U.S. Cl. D23/261**

[58] **Field of Search D23/259-261;
4/629; 241/46.014, 46.015, 46.016; 285/680,
686, 694**

[56] **References Cited**

U.S. PATENT DOCUMENTS

2,185,037	12/1939	Powers	241/46.016
2,902,700	9/1959	Chambers	4/629
2,925,225	2/1960	Jordan	241/46.015
3,033,368	5/1962	Sherman	241/46.016
3,161,360	12/1964	Levine	241/46.016
5,141,166	8/1992	Maynard, Jr.	241/46.016
5,249,749	10/1993	Krebsbach	241/46.016

OTHER PUBLICATIONS

"Stimpson Eyelet" Catalog # 110-F p.65 Item # A1688 Nov. 1968.

Primary Examiner—Louis S. Zarfes
Assistant Examiner—Eric Watterson
Attorney, Agent, or Firm—Harold H. Dutton, Jr.

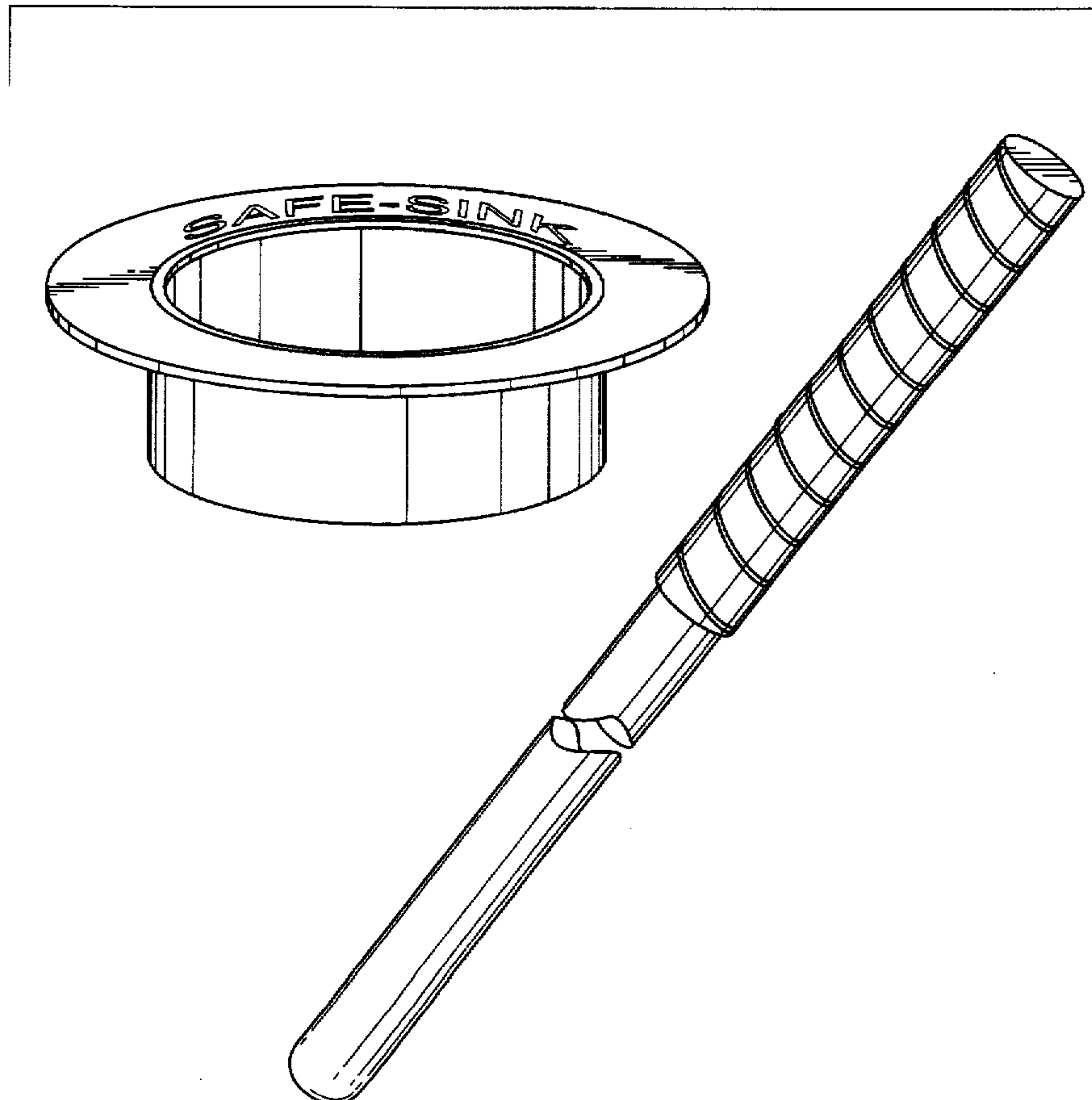
[57] **CLAIM**

The ornamental design for a magnetic drain protection set, as shown.

DESCRIPTION

FIG. 1 is perspective view of magnetic drain protection set showing my new design;
FIG. 2 is a side view thereof, on a reduced scale;
FIG. 3 is a top view thereof, on a reduced scale;
FIG. 4 is a bottom view thereof, on a reduced scale;
FIG. 5 is a perspective view of the rod portion of the magnetic drain protection set;
FIG. 6 is a side view thereof, on a reduced scale;
FIG. 7 is a top view thereof, on a reduced scale; and,
FIG. 8 is a bottom view thereof, on a reduced scale.
The rod portion of the magnetic drain protection set is of indeterminate length.

1 Claim, 5 Drawing Sheets



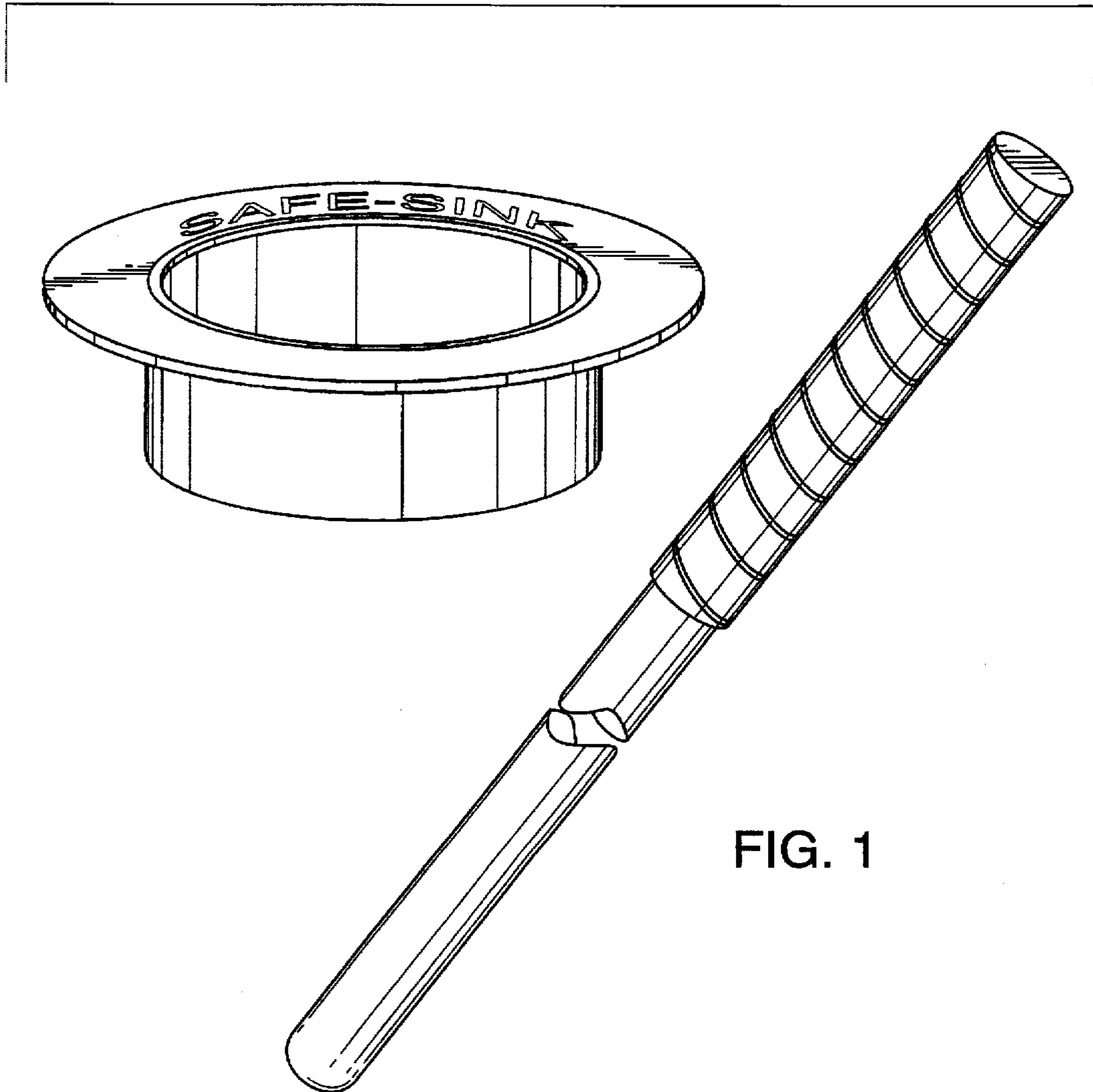


FIG. 1

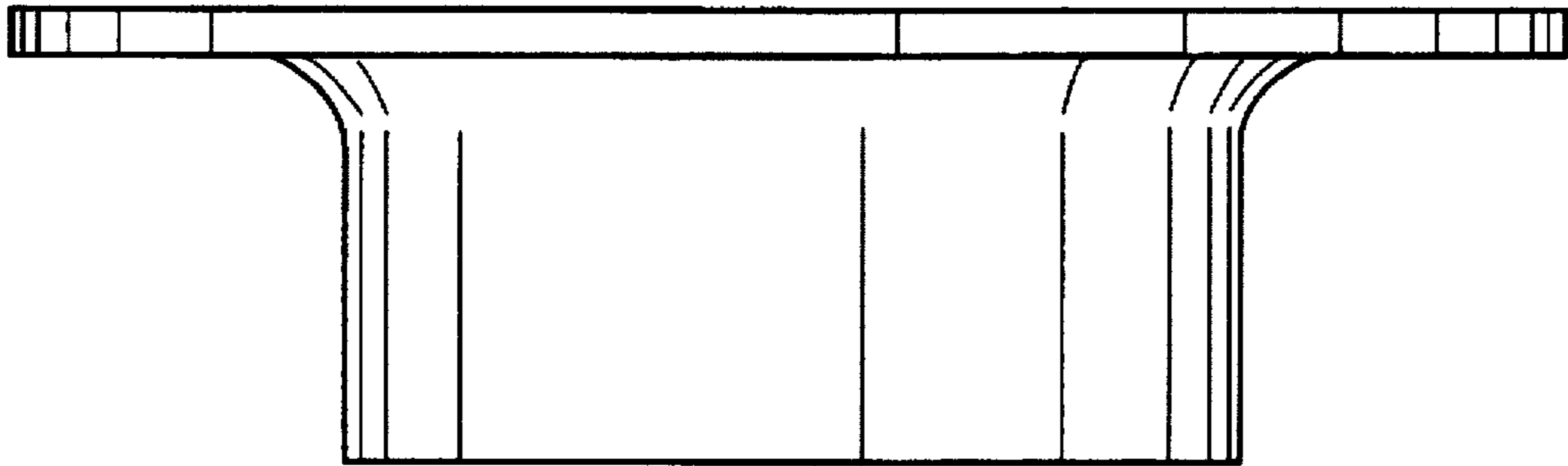


FIG. 2

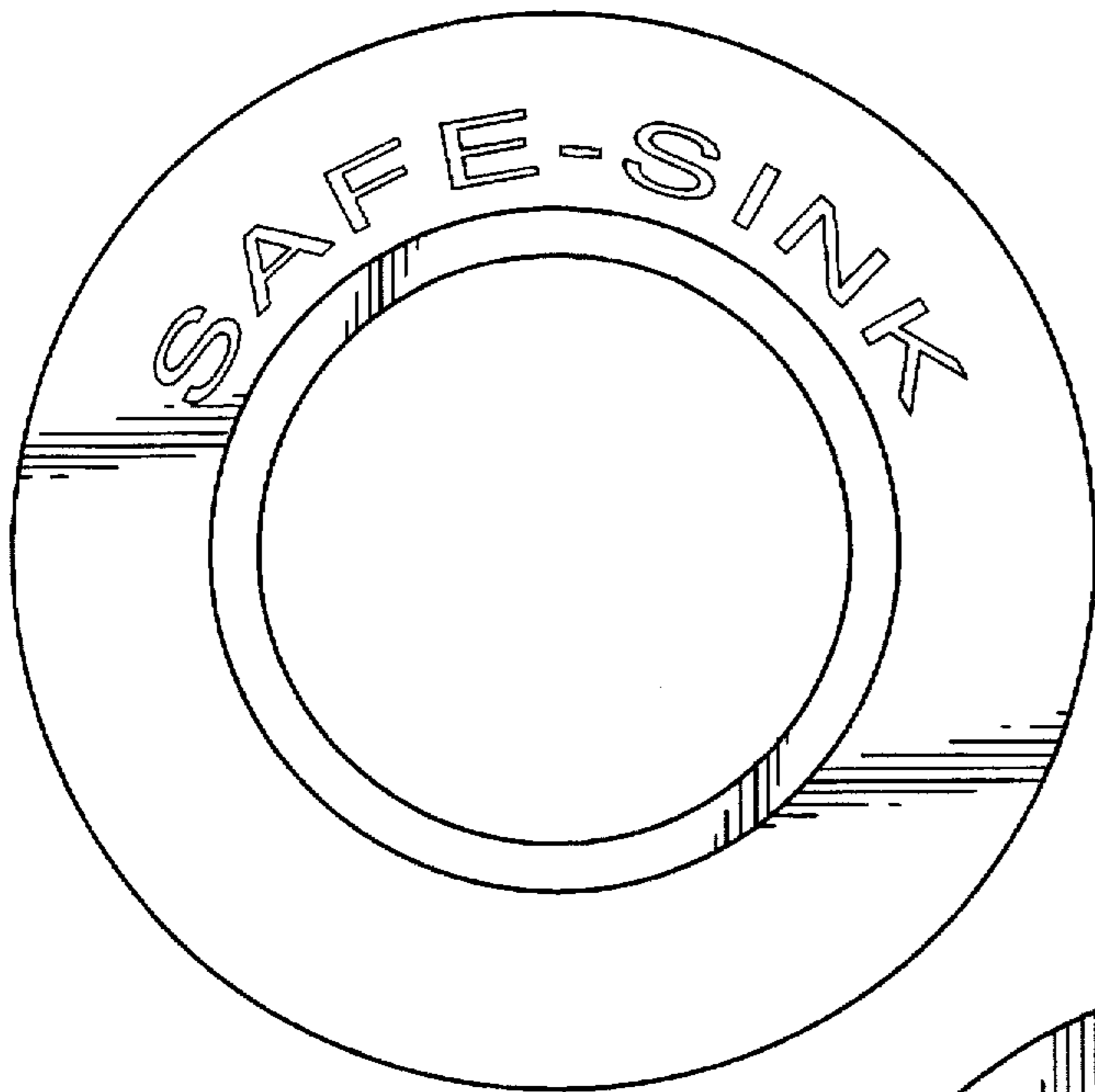


FIG. 3

FIG. 4

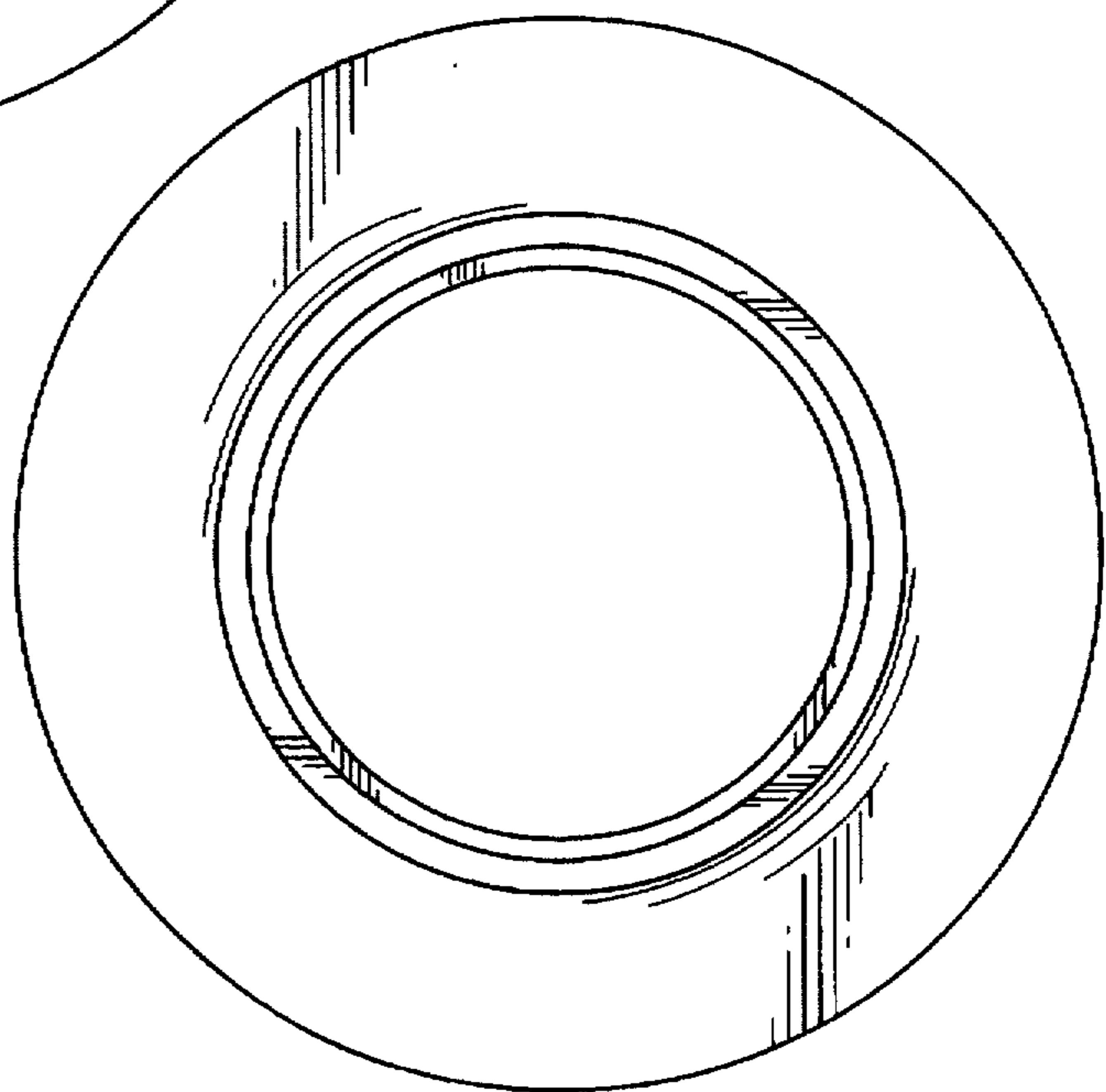
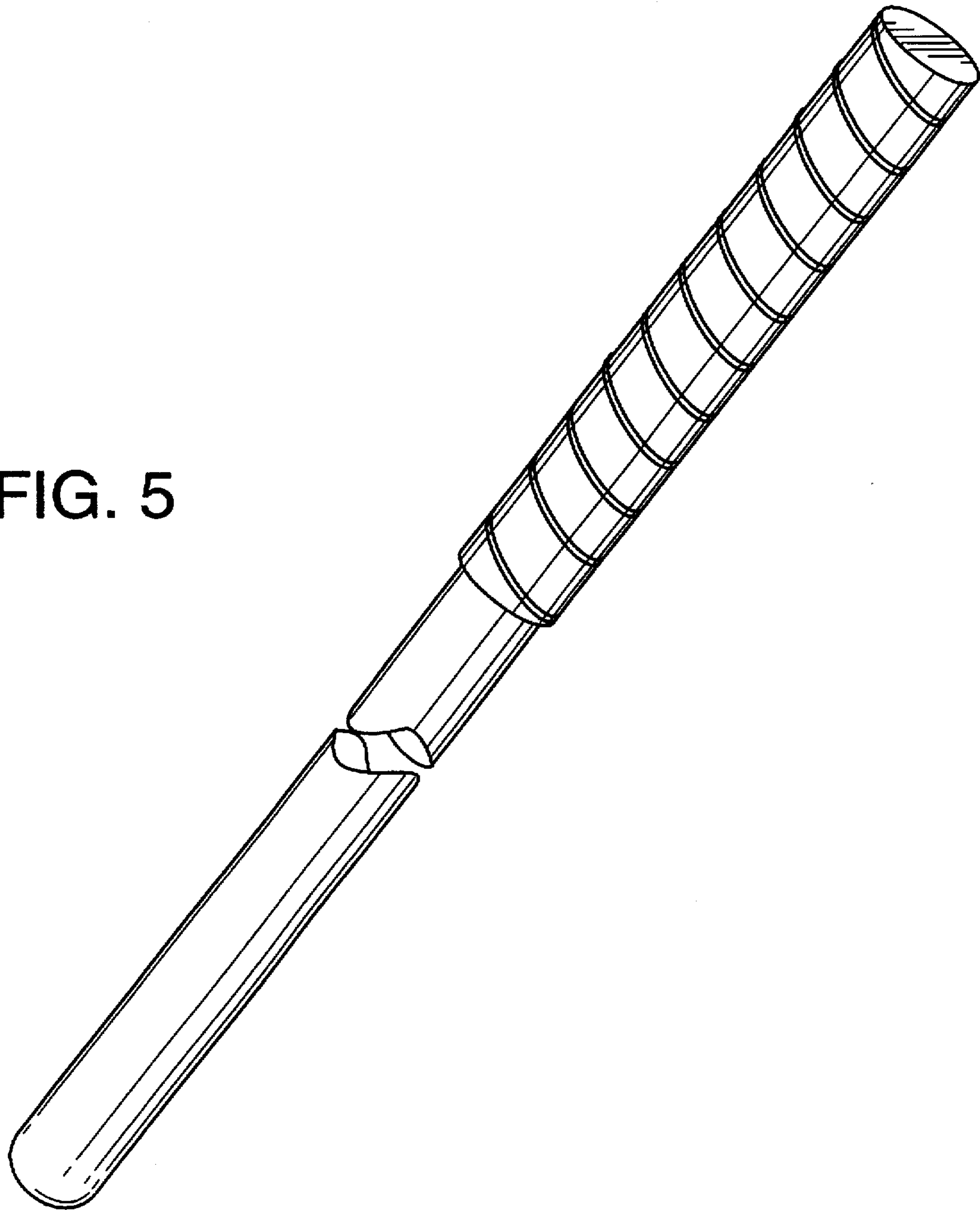


FIG. 5



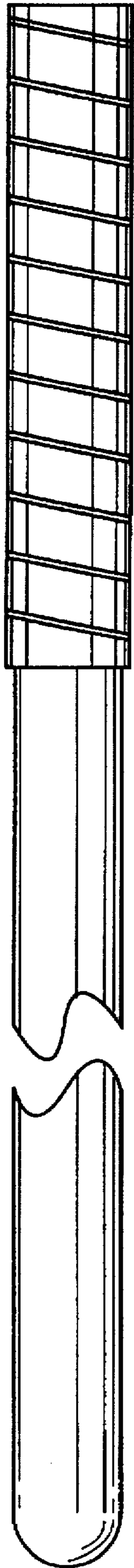


FIG. 6

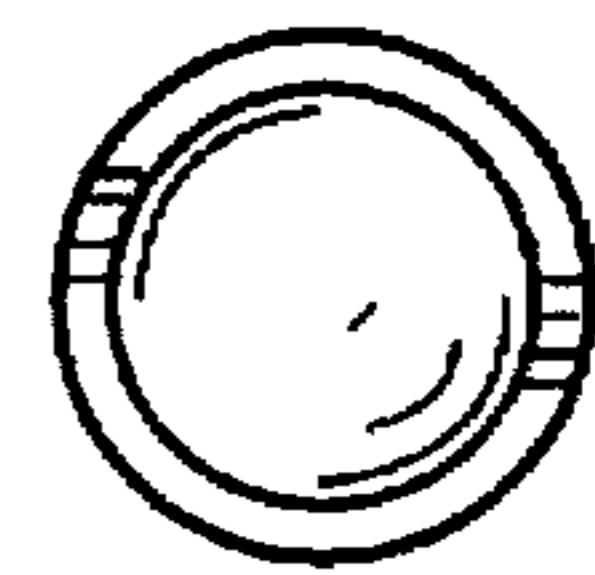


FIG. 7

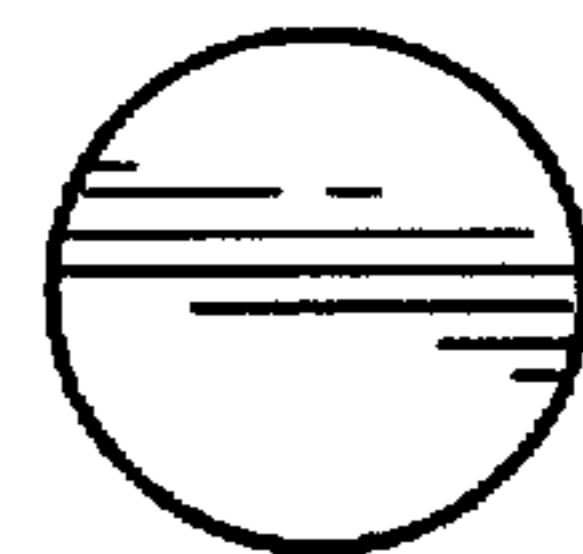


FIG. 8