



US00D385015S

United States Patent [19] Mawdsley

[11] Patent Number: **Des. 385,015**

[45] Date of Patent: ****Oct. 14, 1997**

[54] FAUCET

[75] Inventor: **John E. Mawdsley, Barrington, Ill.**

[73] Assignee: **Sterling Plumbing Group, Inc.,
Rolling Meadows, Ill.**

[**] Term: **14 Years**

[21] Appl. No.: **38,040**

[22] Filed: **Apr. 26, 1995**

[51] LOC (6) Cl. **23-01**

[52] U.S. Cl. **D23/241**

[58] Field of Search **D23/238-243,
D23/250-257; 4/675-678; 137/801; 16/117,
118, 119, 121, 126**

[56] References Cited

U.S. PATENT DOCUMENTS

D. 200,042	1/1965	Macray et al.	D23/241
D. 237,615	11/1975	Saporito et al.	D23/241
D. 284,499	7/1986	Yost	D23/241
D. 288,836	3/1987	Yost	D23/241
D. 290,539	6/1987	Jennette	D34/13
D. 299,518	1/1989	Yost	D23/241
D. 318,715	7/1991	Hardman	D23/251
D. 318,716	7/1991	Hardman	D23/251
D. 319,297	8/1991	Hardman	D23/251
D. 319,865	9/1991	Hardman	D23/251

(List continued on next page.)

FOREIGN PATENT DOCUMENTS

DM007099 6/1986 France .

OTHER PUBLICATIONS

Two pages from a Feb. 1989 Obermaier Brader ad showing golf and tennis ball handles and with a plumbing spout.
P. 84 from a 1990 K-500 Catalog showing the Trend bar sink (C).
P. 4 from a 1994 Sterling Plumbing Group, Inc. Catalog showing the Cross Handle 08662 with High Arc spout.
P. 9 from a 1994 Sterling Plumbing Group, Inc. Catalog showing the Concealed Deck Mount 8" high gooseneck spout.

P. 400 of the 1991 Jacob Delafon Catalog showing items 76017.25 and 76037.21.

P. 20 from a 1994 Sterling Plumbing Group, Inc. Catalog showing the Twin Handle items 06372Q, 06382Q, PG and QG.

P. 317 of a 1990 Jacob Delafon Catalog showing item 71022.10.

P. 2.12 from a 1990 Kohler Co. Catalog showing item K-6766-60.

(List continued on next page.)

Primary Examiner—Stella Reid
Assistant Examiner—Eric Watterson
Attorney, Agent, or Firm—Quarles & Brady

[57] CLAIM

The ornamental design for a faucet, as shown and described.

DESCRIPTION

FIG. 1 is a right, top, frontal perspective view of a faucet embodying my new design;

FIG. 2 is a front elevational view thereof;

FIG. 3 is a left side elevational view thereof, the right side elevational view being the mirror image of the left side shown;

FIG. 4 is a top plan view thereof;

FIG. 5 is a rear elevational view thereof;

FIG. 6 is a bottom plan view thereof;

FIG. 7 is a right, top, frontal perspective view of a second embodiment thereof identical to the first except for the showing of different handles, other views of the handles being shown in parts of FIGS. 13-16;

FIG. 8 is a right, top, frontal perspective view of a third embodiment thereof identical to the first except for the showing of different handles;

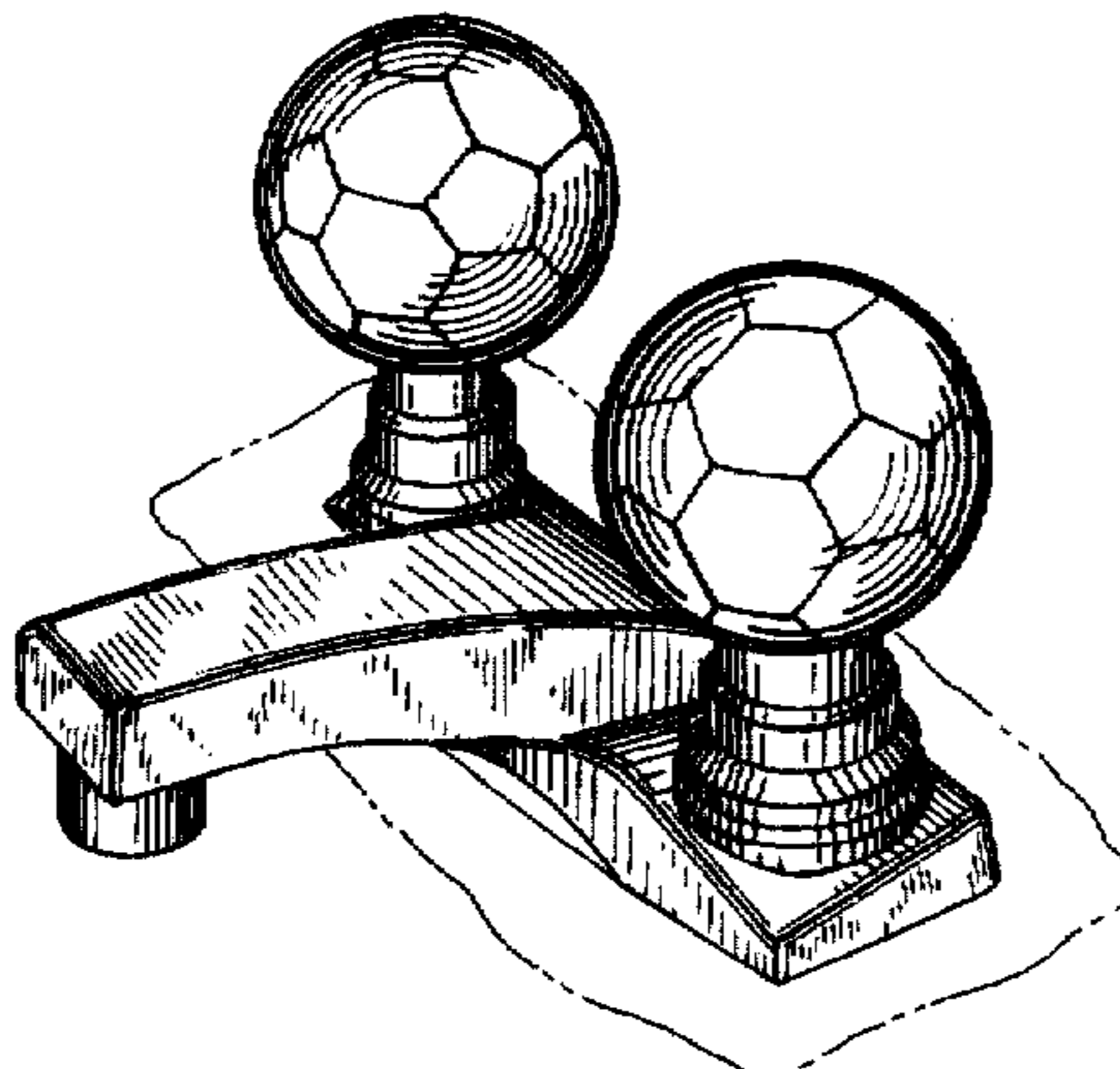
FIG. 9 is a front view of one of the baseball handles shown in FIG. 8, the rear view being identical;

FIG. 10 is a right side view thereof, the left side being identical; and,

FIG. 11 is a top view thereof.

The fragmentary showing of a countertop in FIGS. 1, 7, 8 is for illustration only and forms no part of the claimed design.

1 Claim, 4 Drawing Sheets



U.S. PATENT DOCUMENTS

D. 320,646	10/1991	Hardman	D23/251
D. 329,490	9/1992	Paterson et al.	D23/251
D. 337,474	7/1993	Ferger	D7/301
D. 341,745	11/1993	Mitchell	D7/301
D. 349,556	8/1994	Ferger	D7/301
D. 354,639	1/1995	Stoddard et al.	D6/450
D. 354,641	1/1995	Stoddard et al.	D6/450
D. 354,642	1/1995	Stoddard et al.	D6/450
D. 355,995	3/1995	Stoddard et al.	D6/450

D. 367,547	2/1996	Dunn	D28/64
D. 368,327	3/1996	Dunn	D28/64

OTHER PUBLICATIONS

A page from an undated Harden Catalog, admitted prior art, showing items ON-X, and OX-X.

Two pages from a 1994 Weslock National ad showing the Sports Lock Dummy Knobs/Coat Hooks and Door Handles.

A page from a Jun. 1995 Popular Mechanics publication showing the Hunter Baseball Fan.

FIG. 1

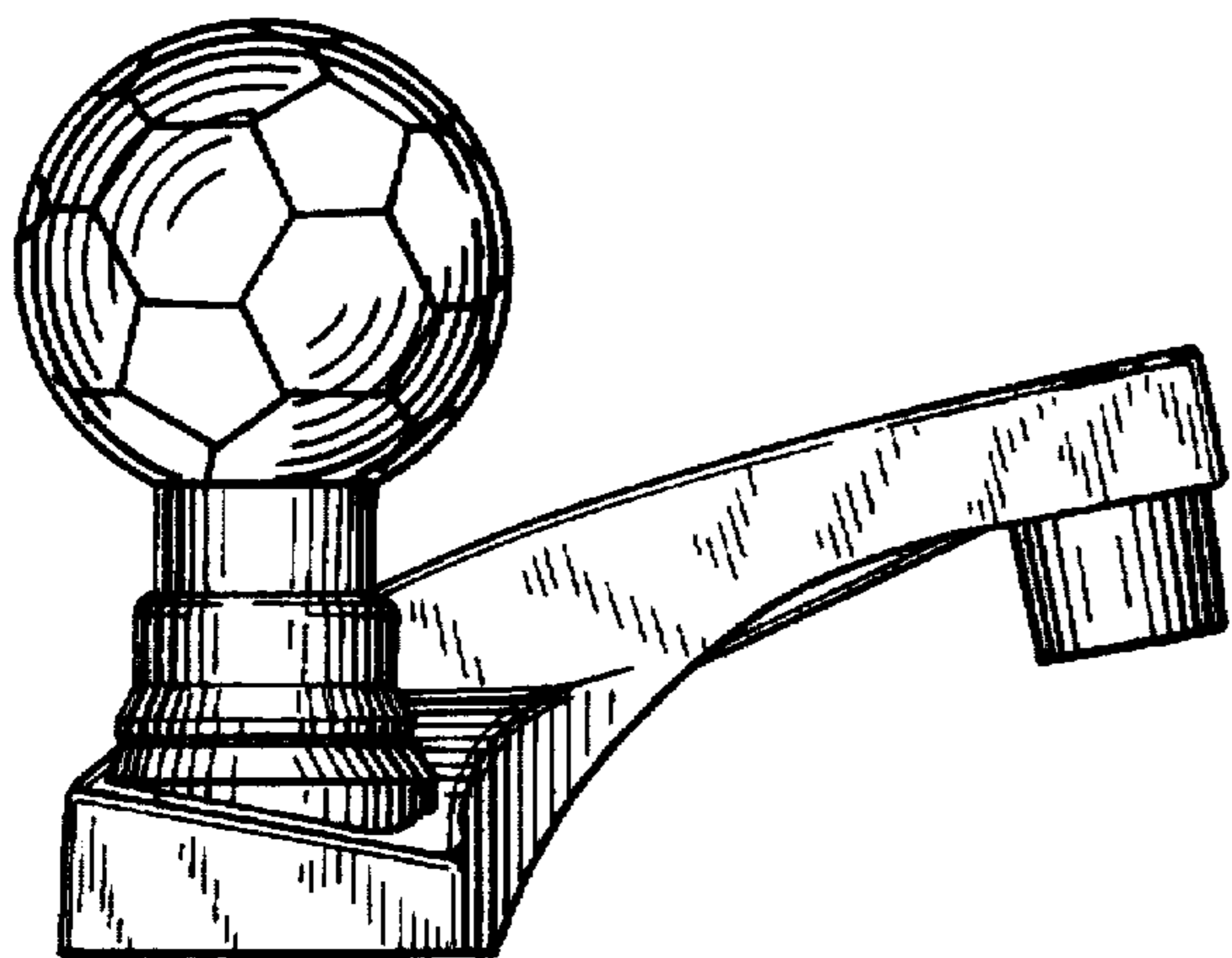
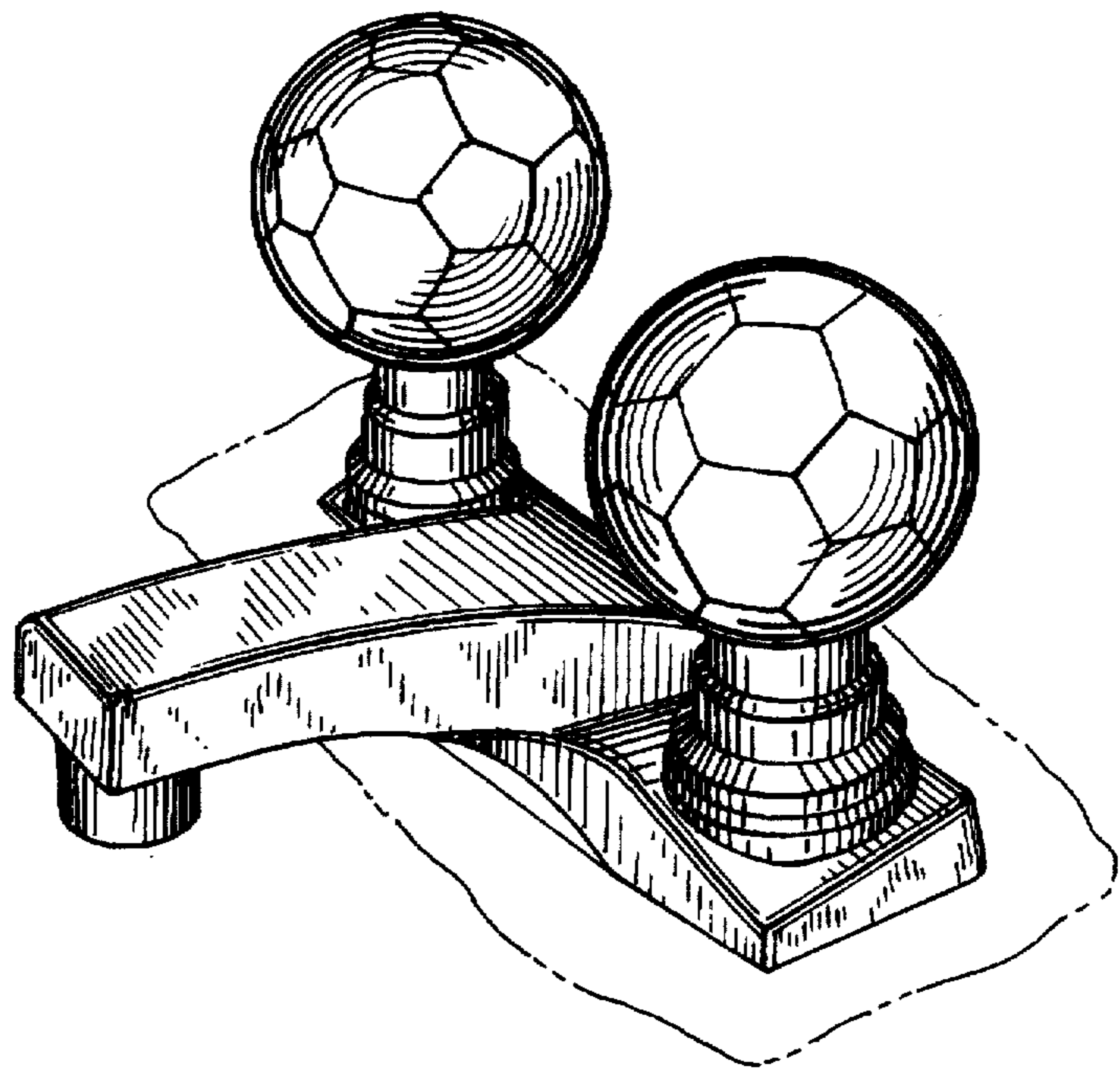


FIG. 3

FIG. 2

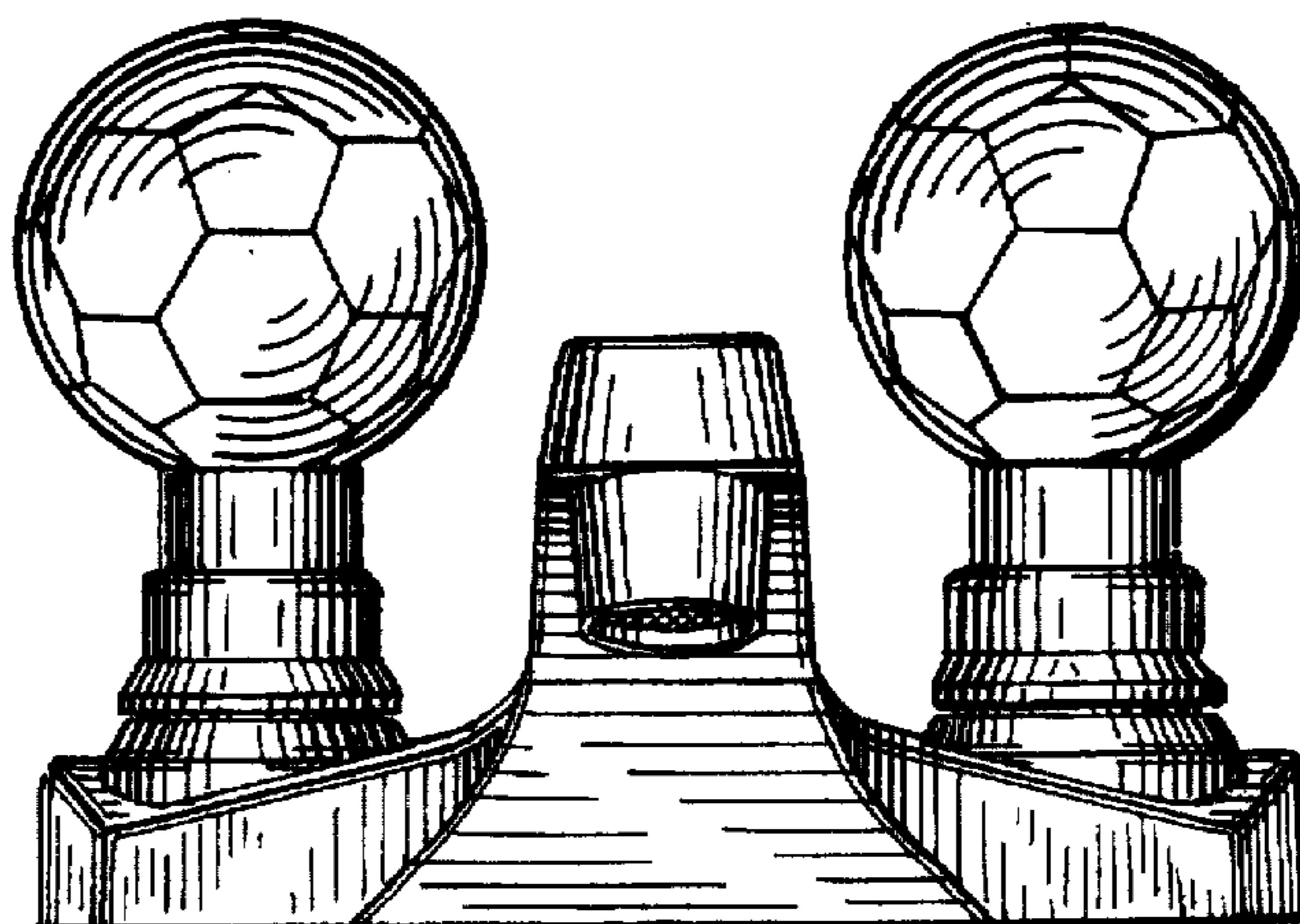


FIG. 4

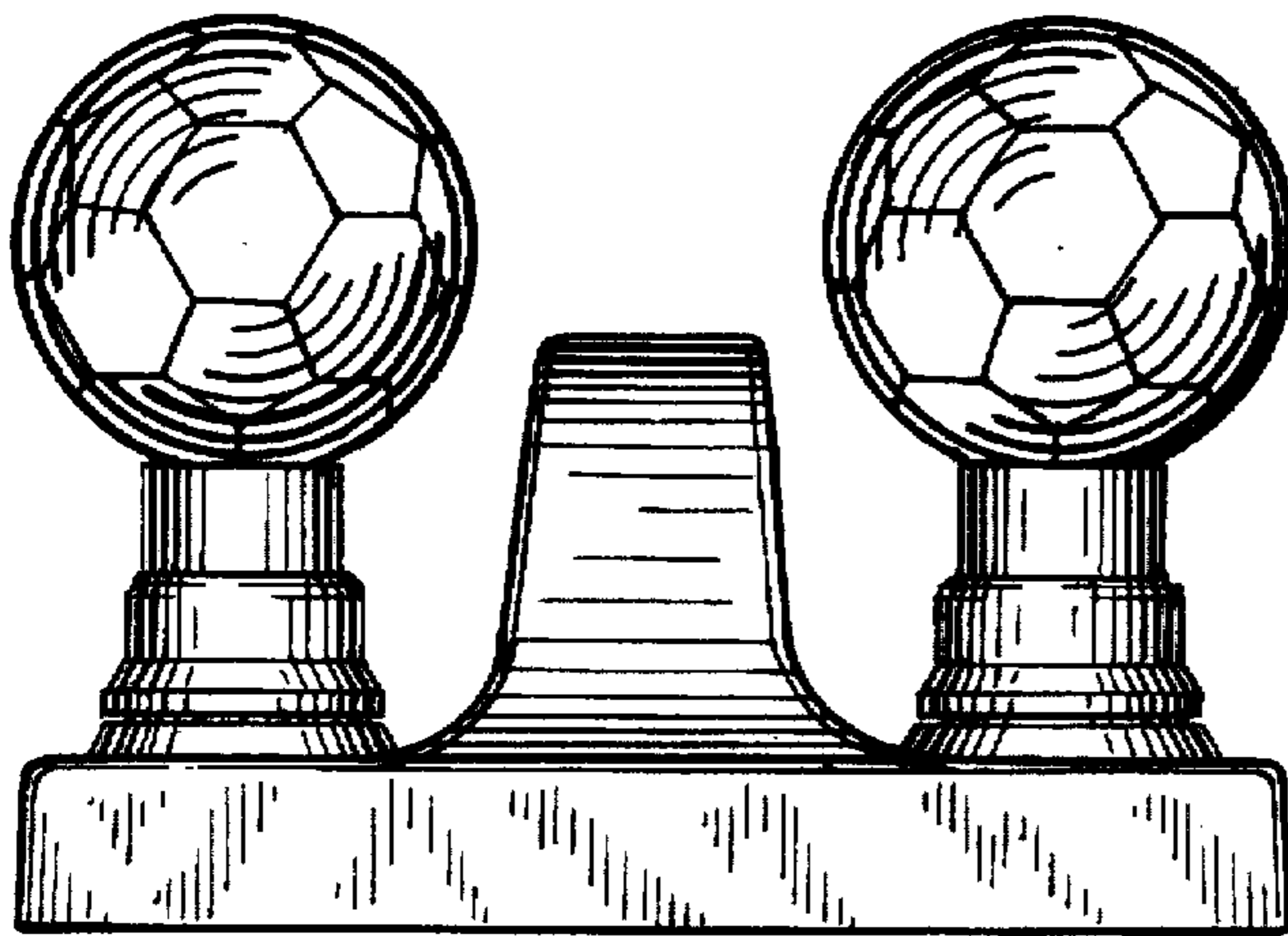
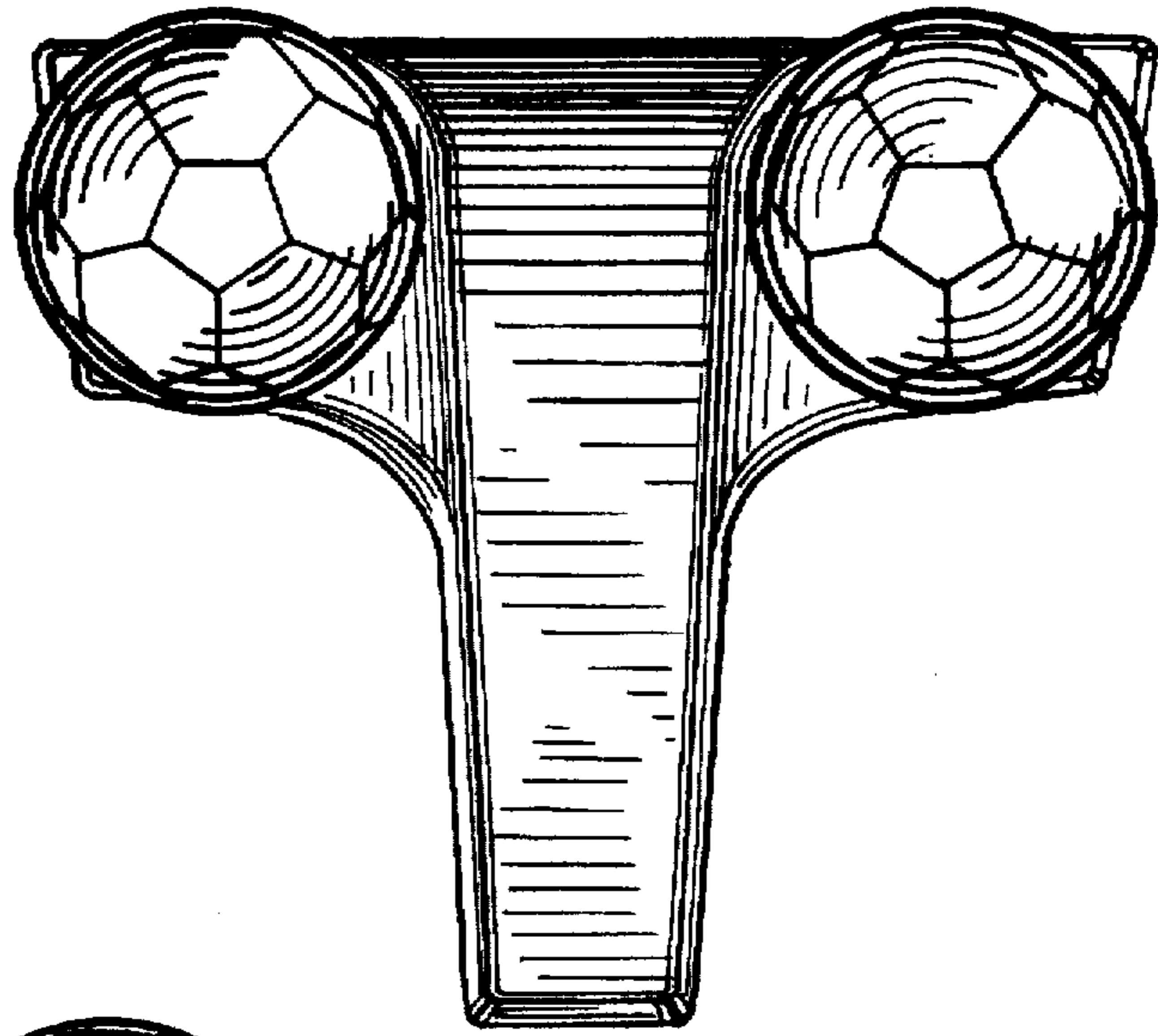


FIG. 5

FIG. 6

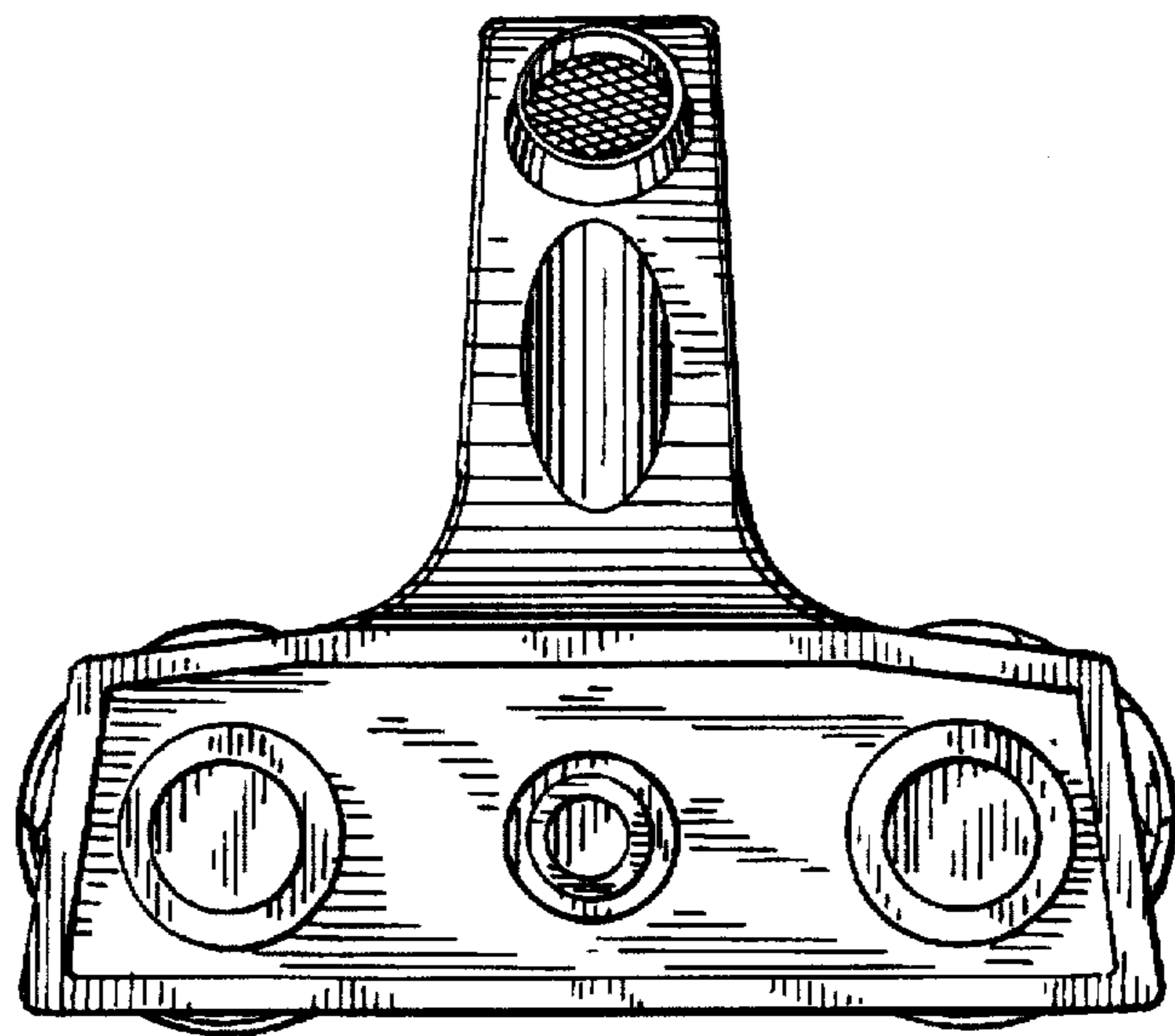


FIG. 7

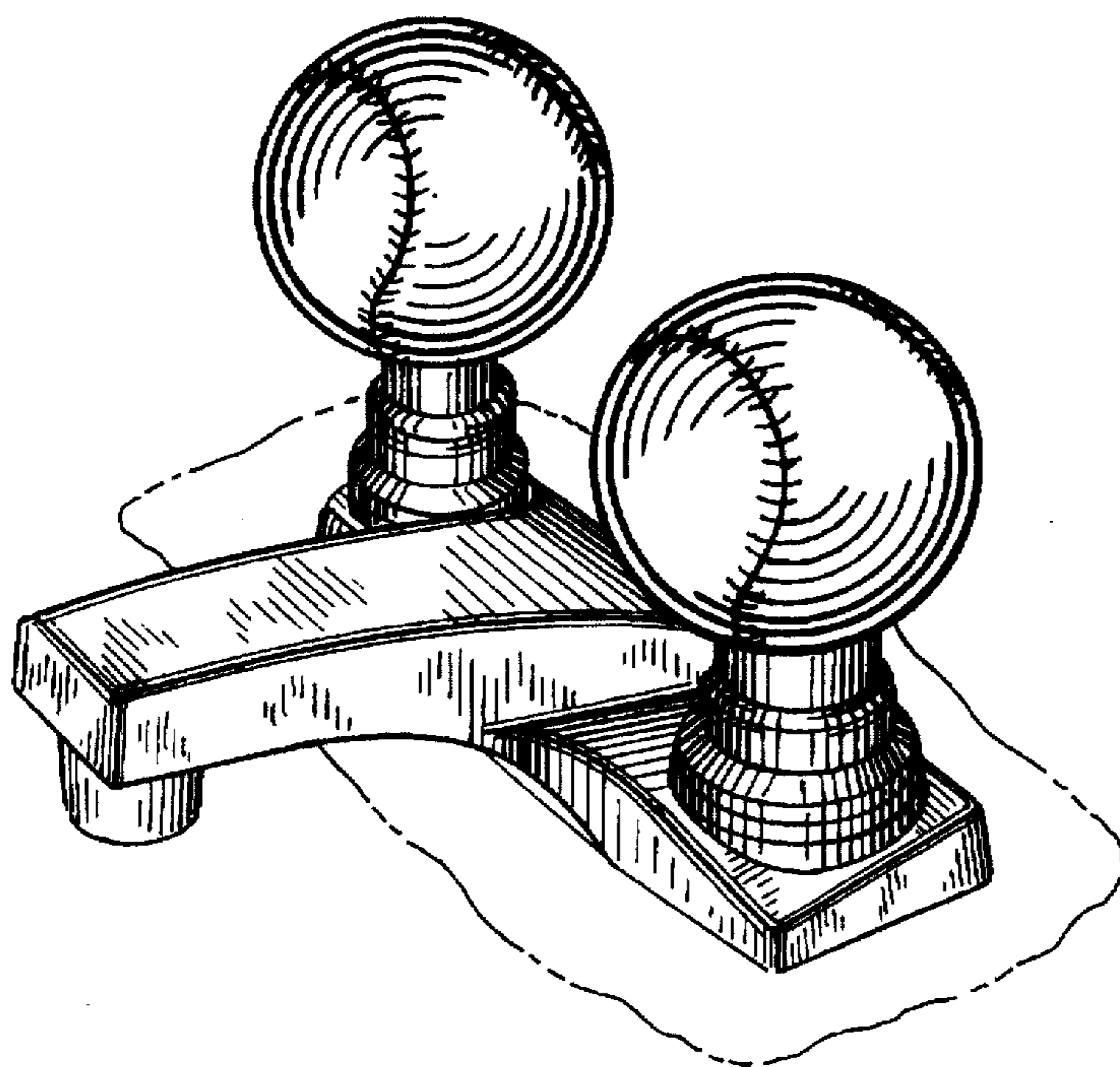
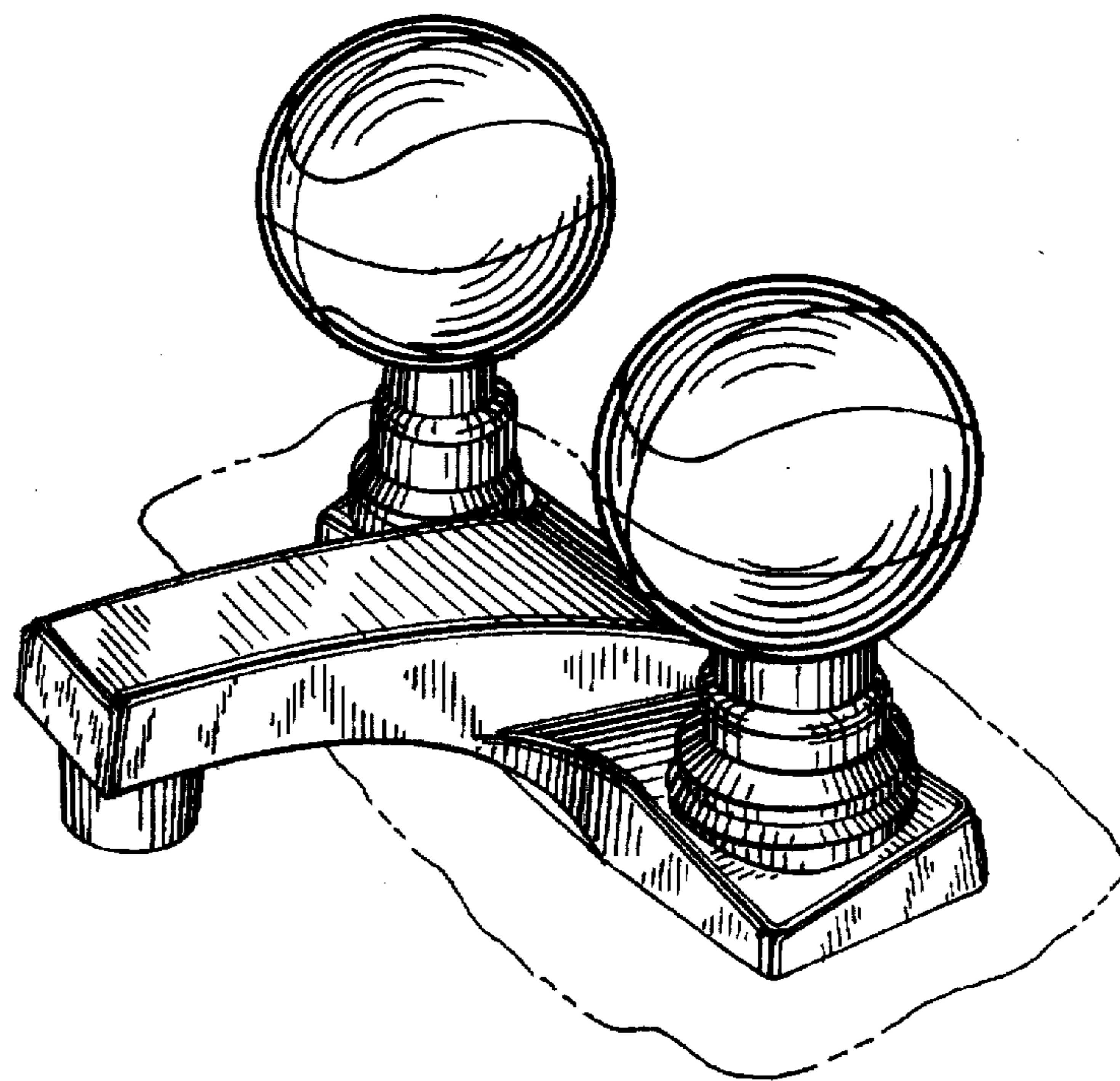


FIG. 8

FIG. 9

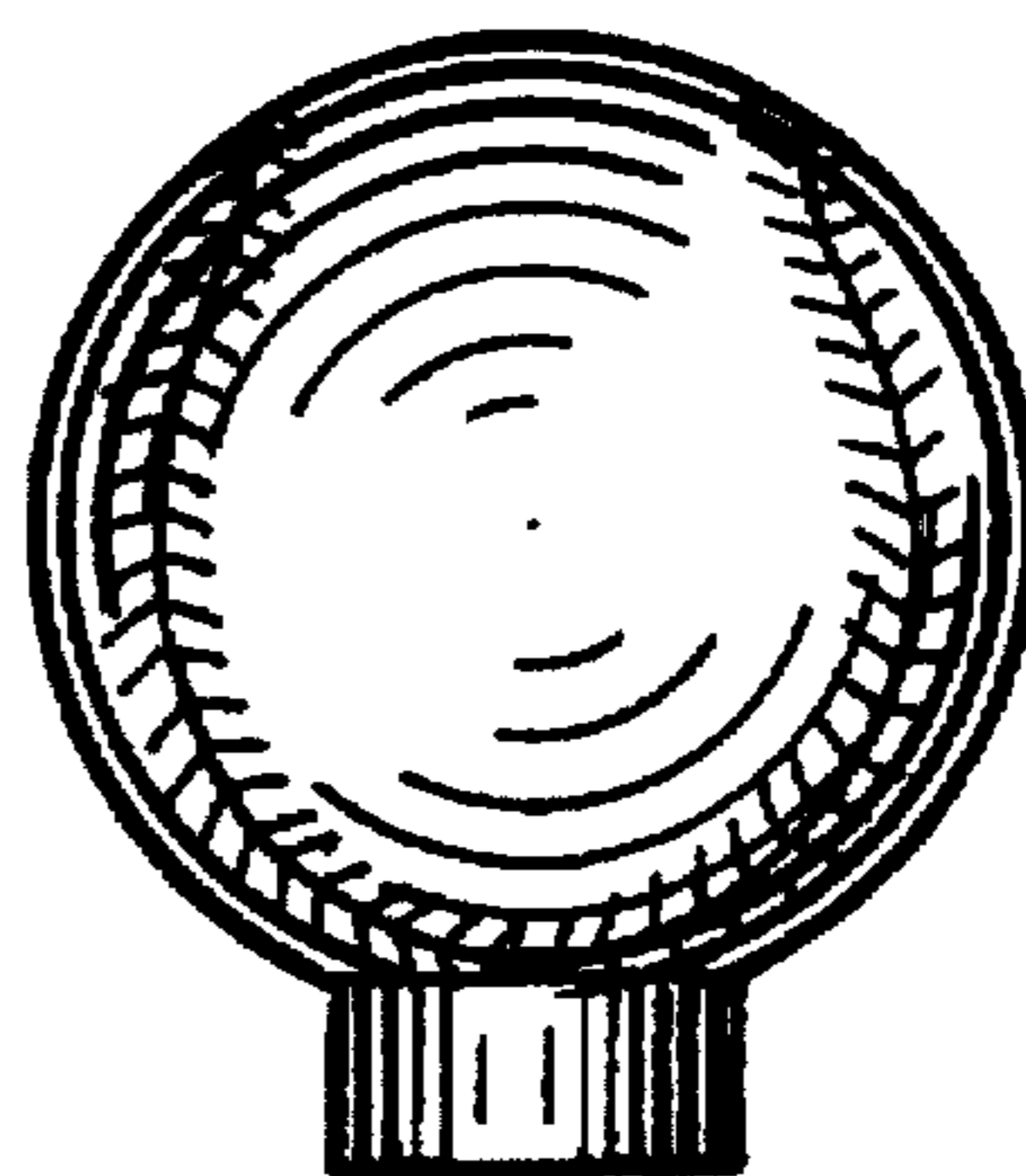
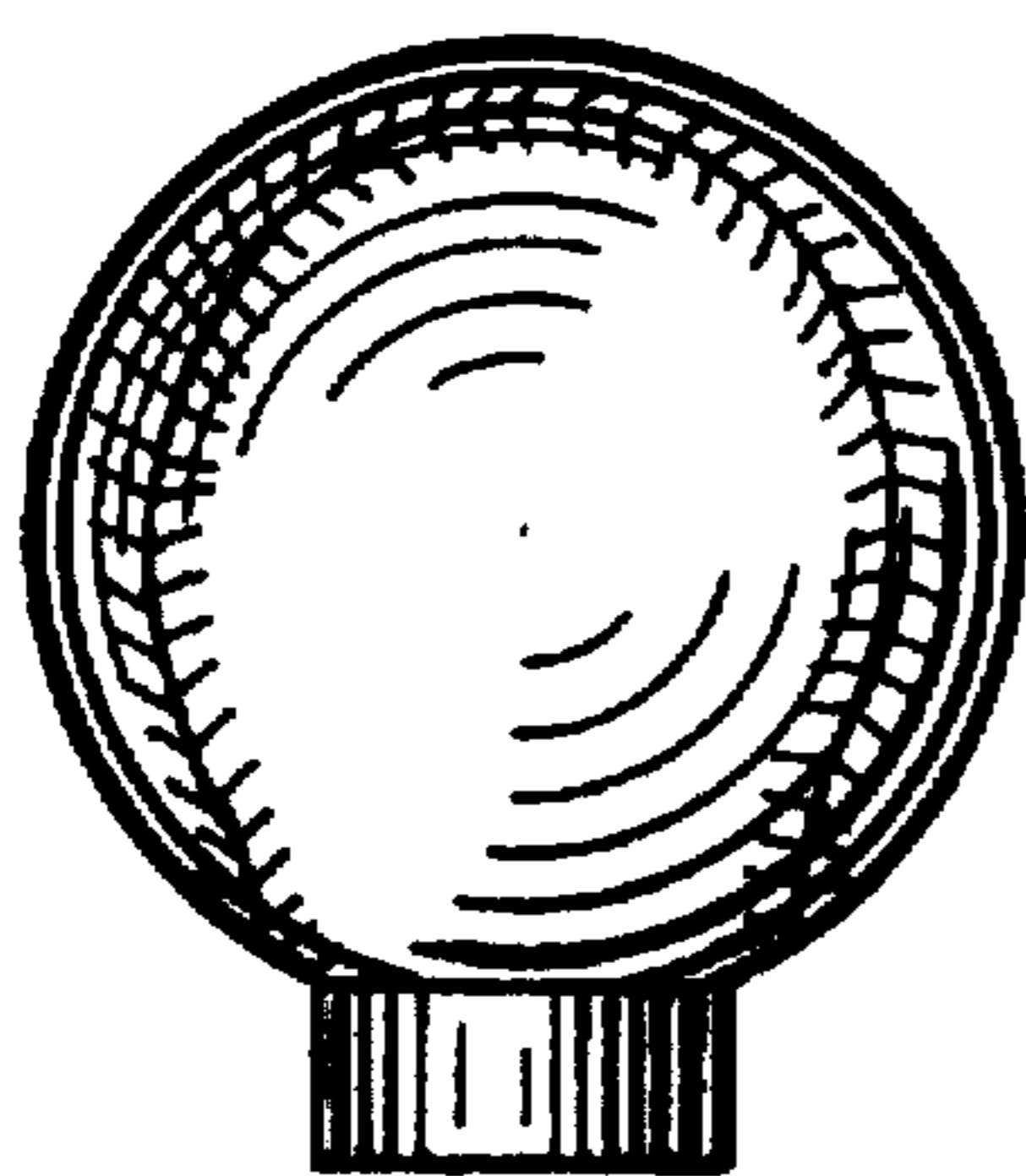


FIG. 10

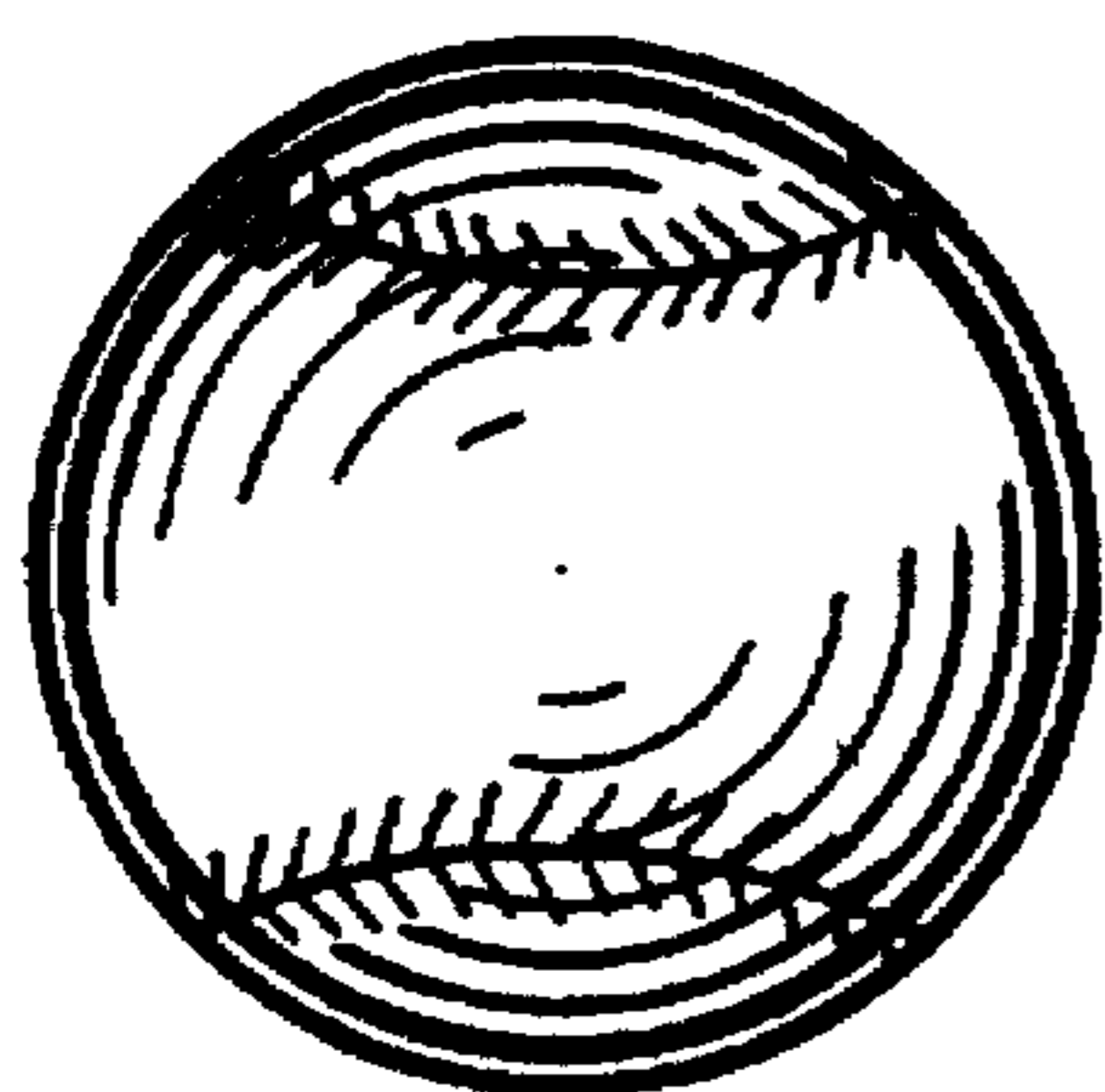


FIG. 11