



US00D385014S

United States Patent [19]

Bertoli

[11] Patent Number: **Des. 385,014**

[45] Date of Patent: ****Oct. 14, 1997**

[54] **FAUCET WITH A FLEXIBLE SHOWER**

[75] Inventor: **Franco Bertoli, Milan, Italy**

[73] Assignee: **American Standard Inc., Piscataway, N.J.**

[**] Term: **14 Years**

[21] Appl. No.: **40,674**

[22] Filed: **Jun. 23, 1995**

[30] **Foreign Application Priority Data**

Jan. 24, 1995 [IT] Italy RE9500001

[51] LOC (6) Cl. **23-01**

[52] U.S. Cl. **D23/238**

[58] Field of Search **D23/238-243, D23/250-257, 213; 4/675-678; 137/801**

[56] **References Cited**

U.S. PATENT DOCUMENTS

D. 329,082 9/1992 Rosenberg D23/238
D. 331,795 12/1992 Hill et al. D23/238

D. 352,991 11/1994 Konler, Jr. D23/238
D. 365,624 12/1995 Gottwala D23/238

Primary Examiner—Louis S. Zarfes
Assistant Examiner—Eric Watterson
Attorney, Agent, or Firm—Ann M. Knab; Elaine Brenner
Robinson

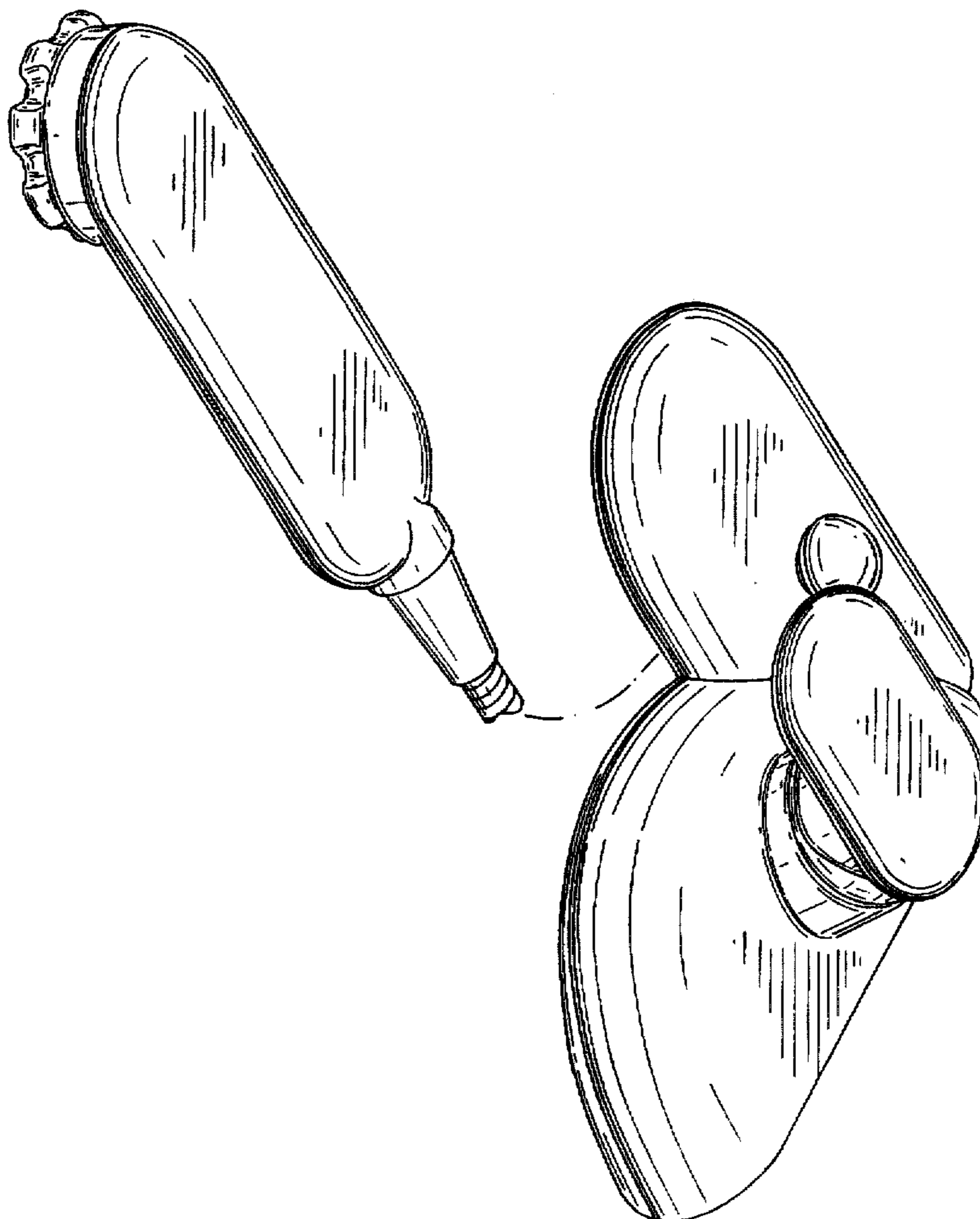
[57] **CLAIM**

The ornamental design for a faucet with a flexible shower, as shown and described.

DESCRIPTION

FIG. 1 is a perspective view of a faucet showing my new design;
FIG. 2 is a left side view thereof;
FIG. 3 is a right side view thereof;
FIG. 4 is a rear elevational view thereof;
FIG. 5 is a front elevational view thereof;
FIG. 6 is a top plan view thereof; and,
FIG. 7 is a bottom plan view thereof.
The continuous hose is indicated by dot-dash line for convenience of illustration.

1 Claim, 6 Drawing Sheets



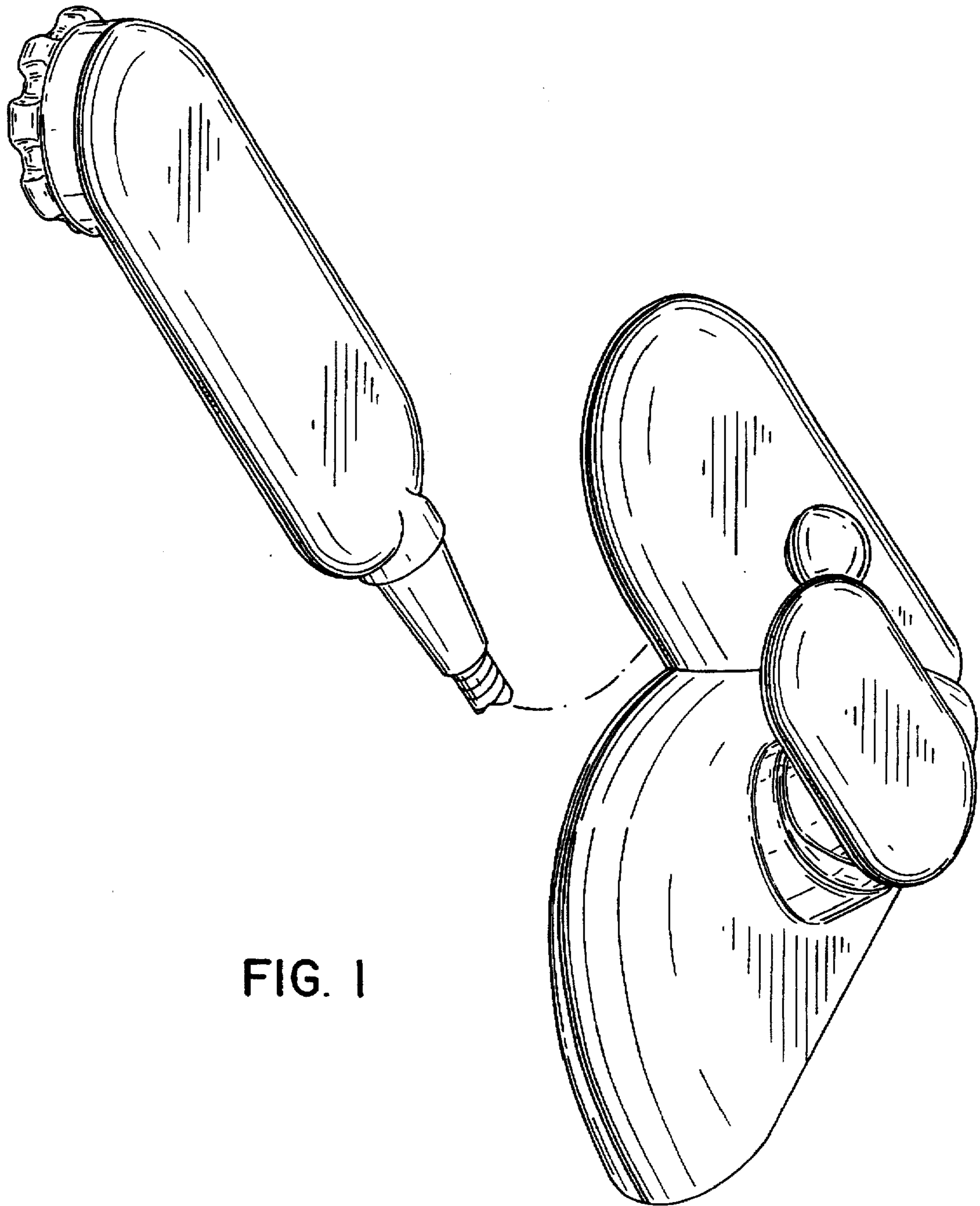


FIG. 1

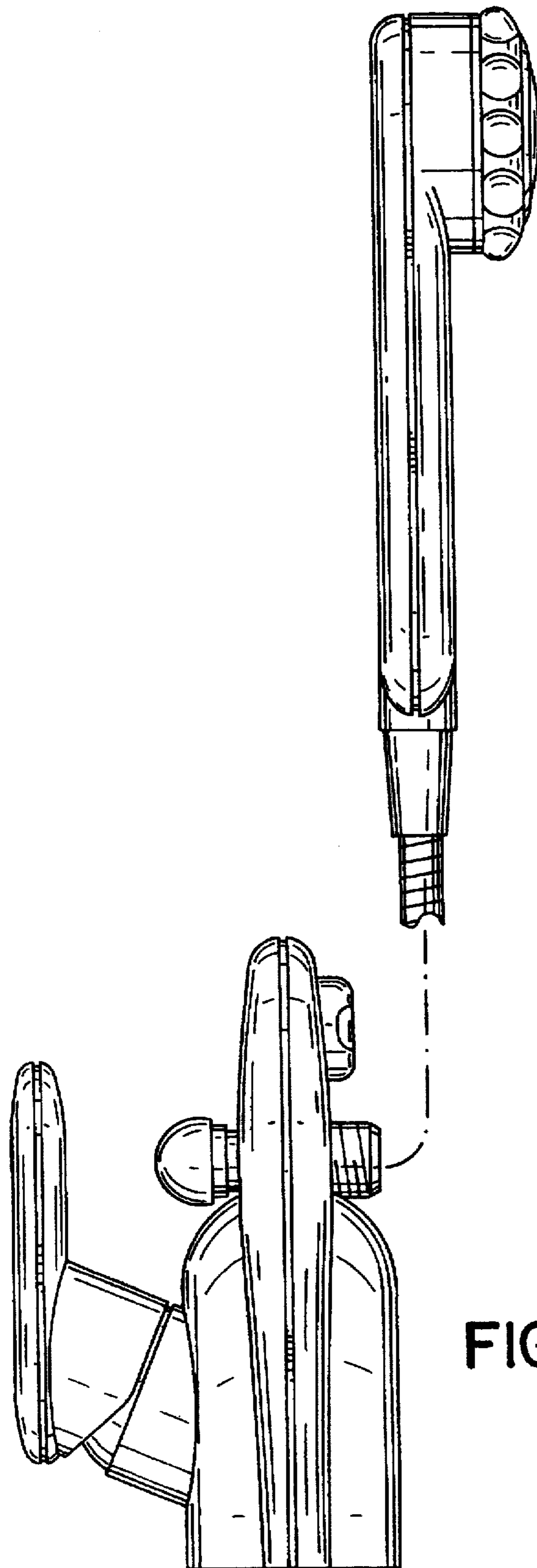
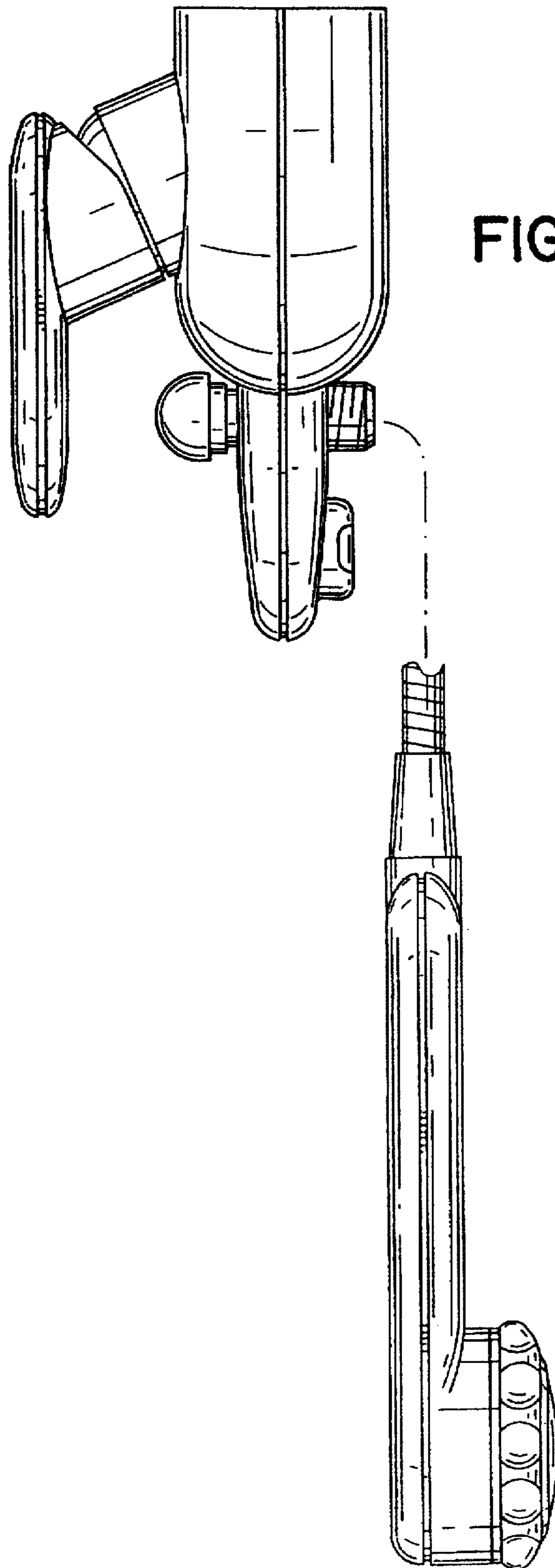


FIG. 2



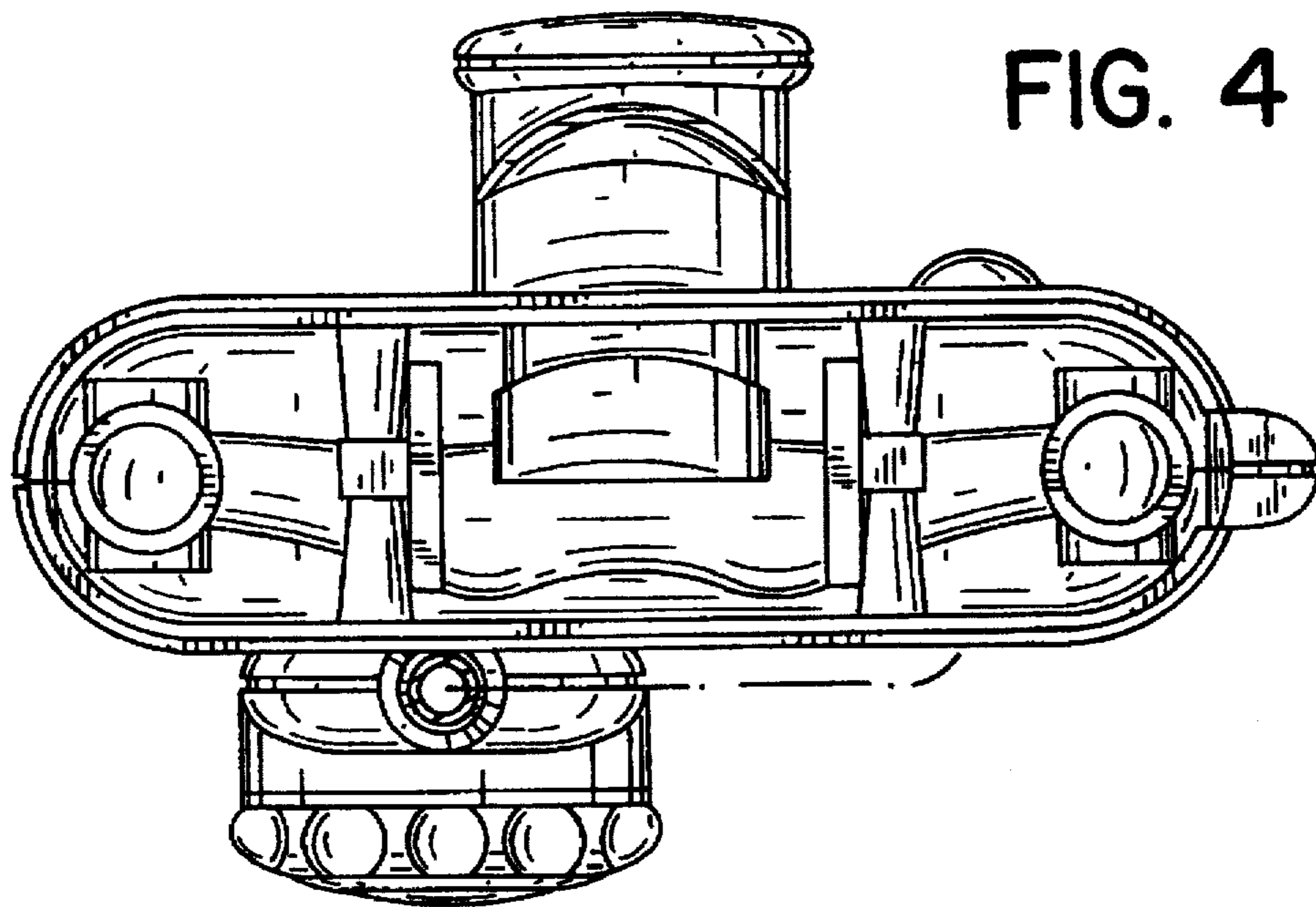


FIG. 4

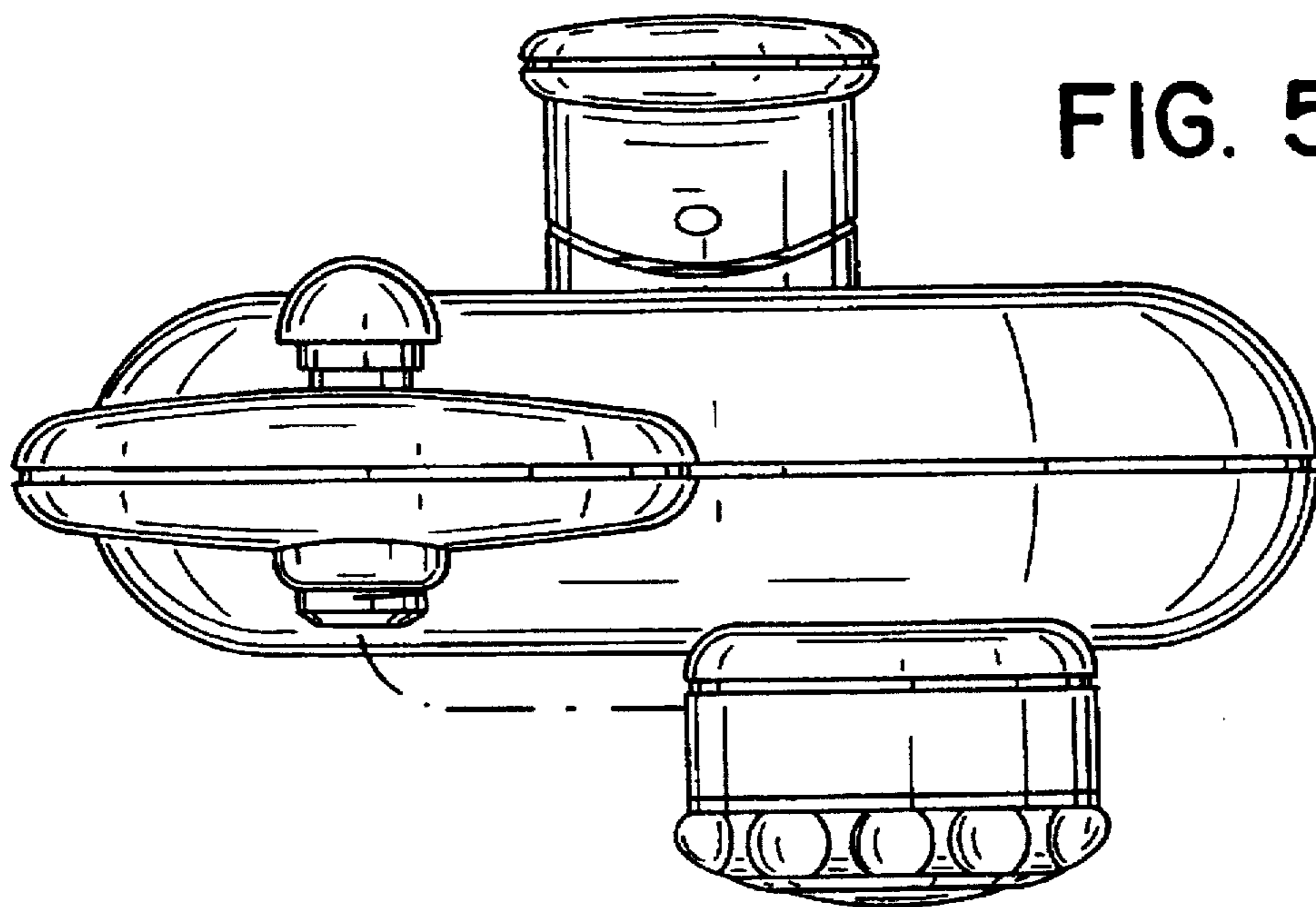


FIG. 5

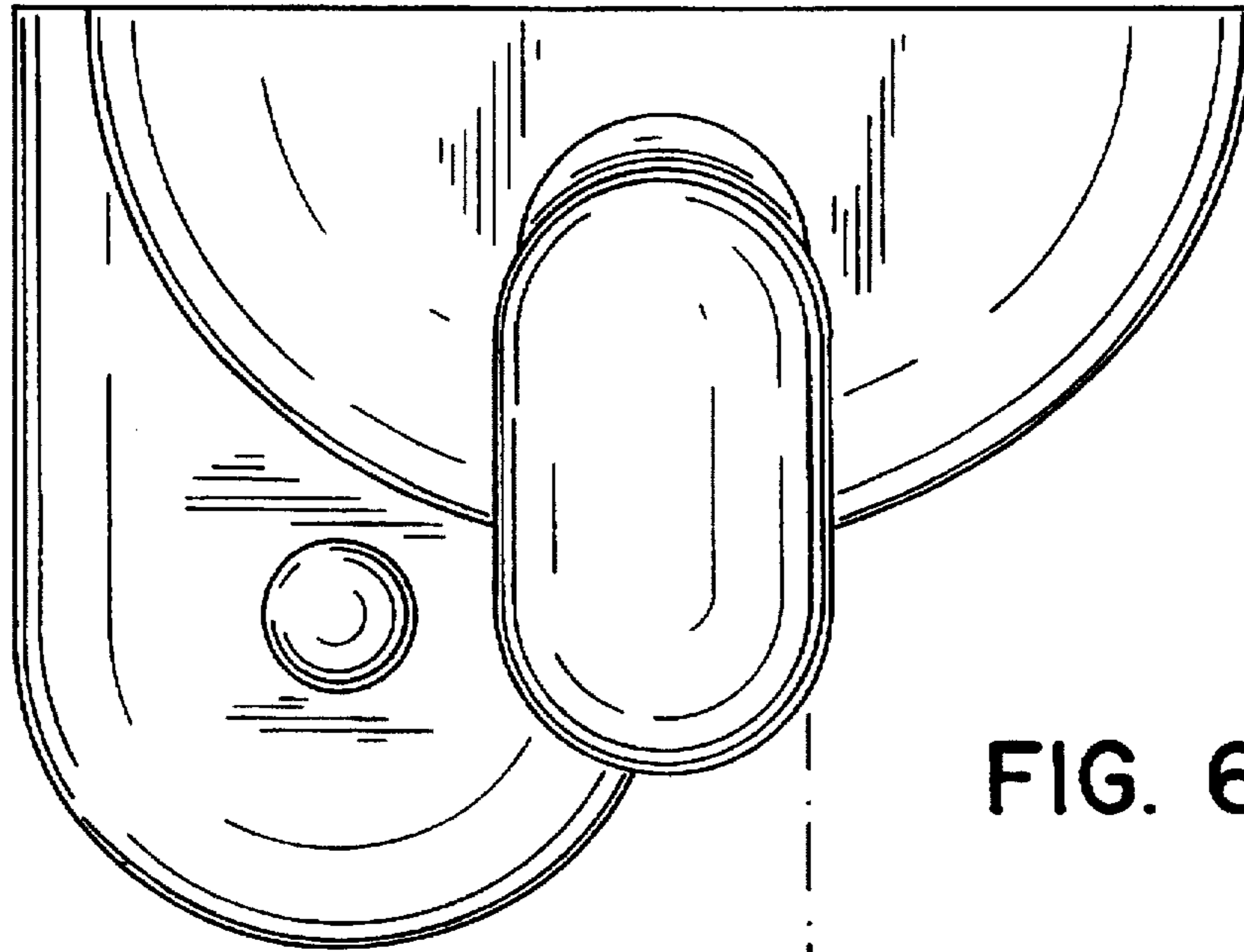
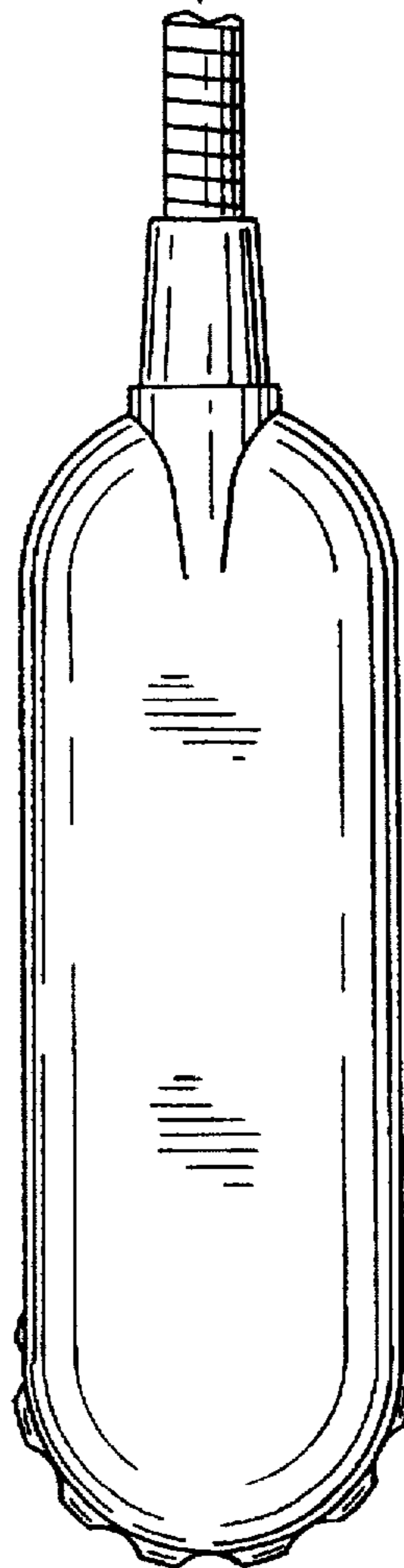


FIG. 6



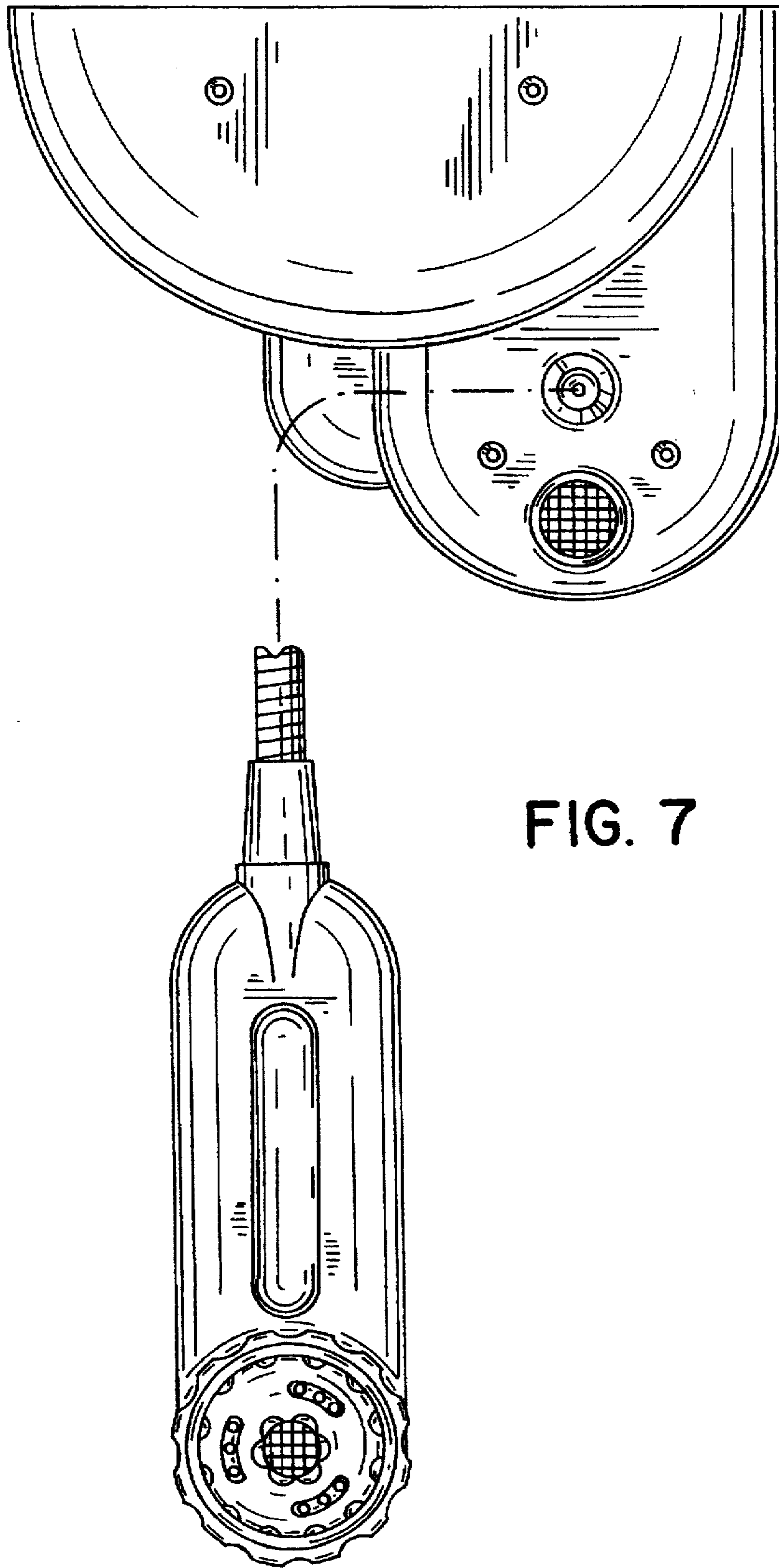


FIG. 7