



US00D385013S

United States Patent [19] Gustafsson

[11] Patent Number: **Des. 385,013**

[45] Date of Patent: ****Oct. 14, 1997**

[54] **MILK PIPELINE VALVE**

[75] Inventor: **Kenneth Gustafsson, Sodertalje, Sweden**

[73] Assignee: **Tetra Laval Holdings & Finance S.A., Pully, Switzerland**

[**] Term: **14 Years**

[21] Appl. No.: **31,491**

[22] Filed: **Nov. 29, 1994**

[30] **Foreign Application Priority Data**

May 31, 1994 [SE] Sweden 94-1253
May 31, 1994 [SE] Sweden 94-1254

[51] LOC (6) CL **23-01**

[52] U.S. Cl. **D23/233**

[58] Field of Search **D23/233-237, D23/244-249; 119/14.01, 14.28, 14.41; 251/308, 123, 149.2, 31, 26; 137/550, 219**

[56] **References Cited**

U.S. PATENT DOCUMENTS

3,820,506 6/1974 Conde .
4,120,478 10/1978 Hasegawa 251/31
4,214,552 7/1980 Olander .
4,366,772 1/1983 Panock .

4,577,654 3/1986 Pringle 137/219
5,160,118 11/1992 Stary 251/308
5,203,539 4/1993 Stary 251/308

FOREIGN PATENT DOCUMENTS

2637117 6/1977 Germany .
4003367 8/1991 Germany .
604544 4/1978 U.S.S.R. .

Primary Examiner—Louis S. Zarfaz
Assistant Examiner—Eric Watterson
Attorney, Agent, or Firm—Hovey, Williams, Timmons & Collins

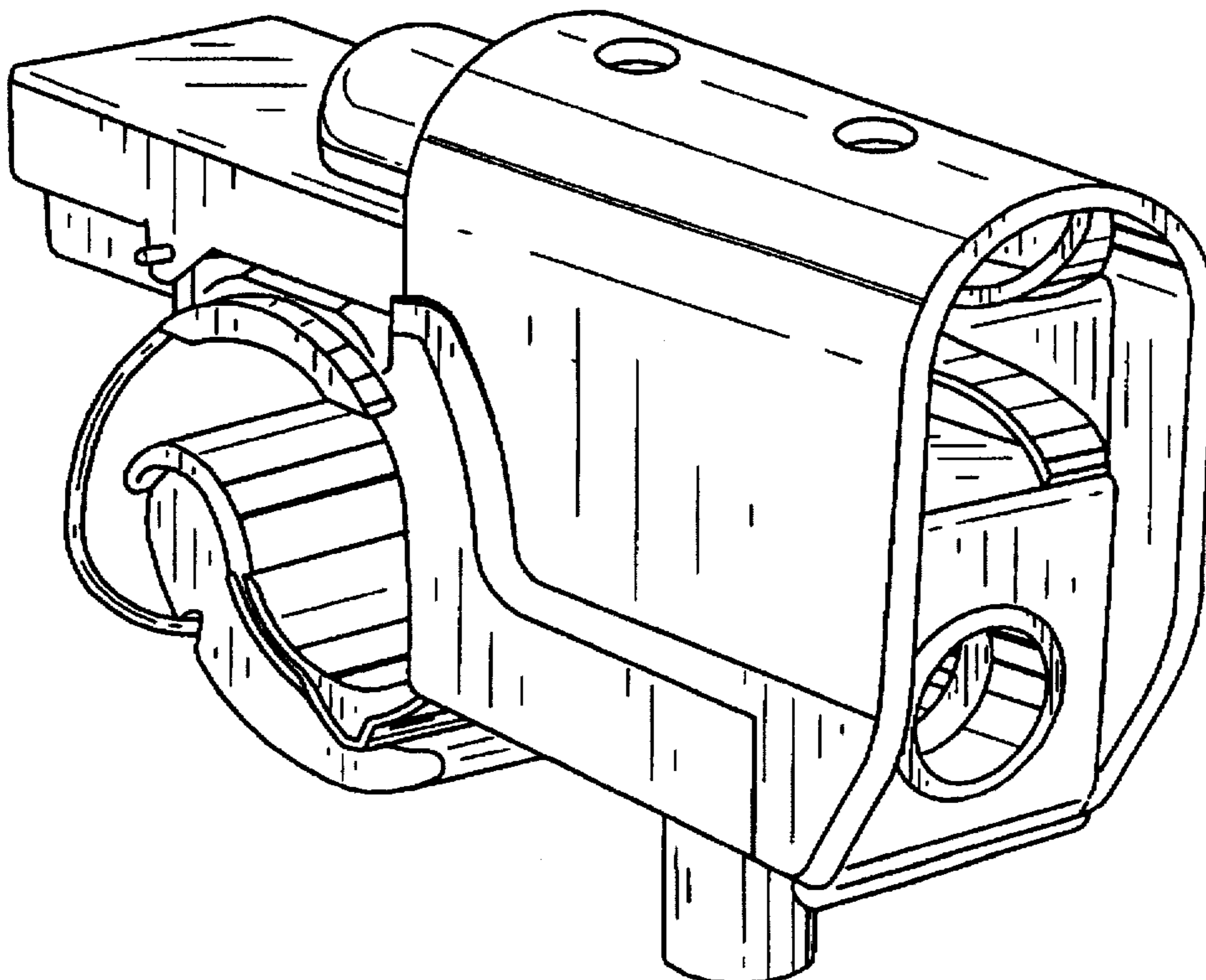
[57] **CLAIM**

The ornamental design for a milk pipeline valve, as shown and described.

DESCRIPTION

FIG. 1 is a lower front right perspective view of a milk pipeline valve in accordance with the present invention; FIG. 2 is an upper rear left perspective view thereof; FIG. 3 is a front elevational view thereof; FIG. 4 is a bottom plan view of thereof; FIG. 5 is a right side elevational view thereof; FIG. 6 is a rear view of thereof; FIG. 7 is a top plan view thereof; and, FIG. 8 is a left side elevational view thereof.

1 Claim, 2 Drawing Sheets



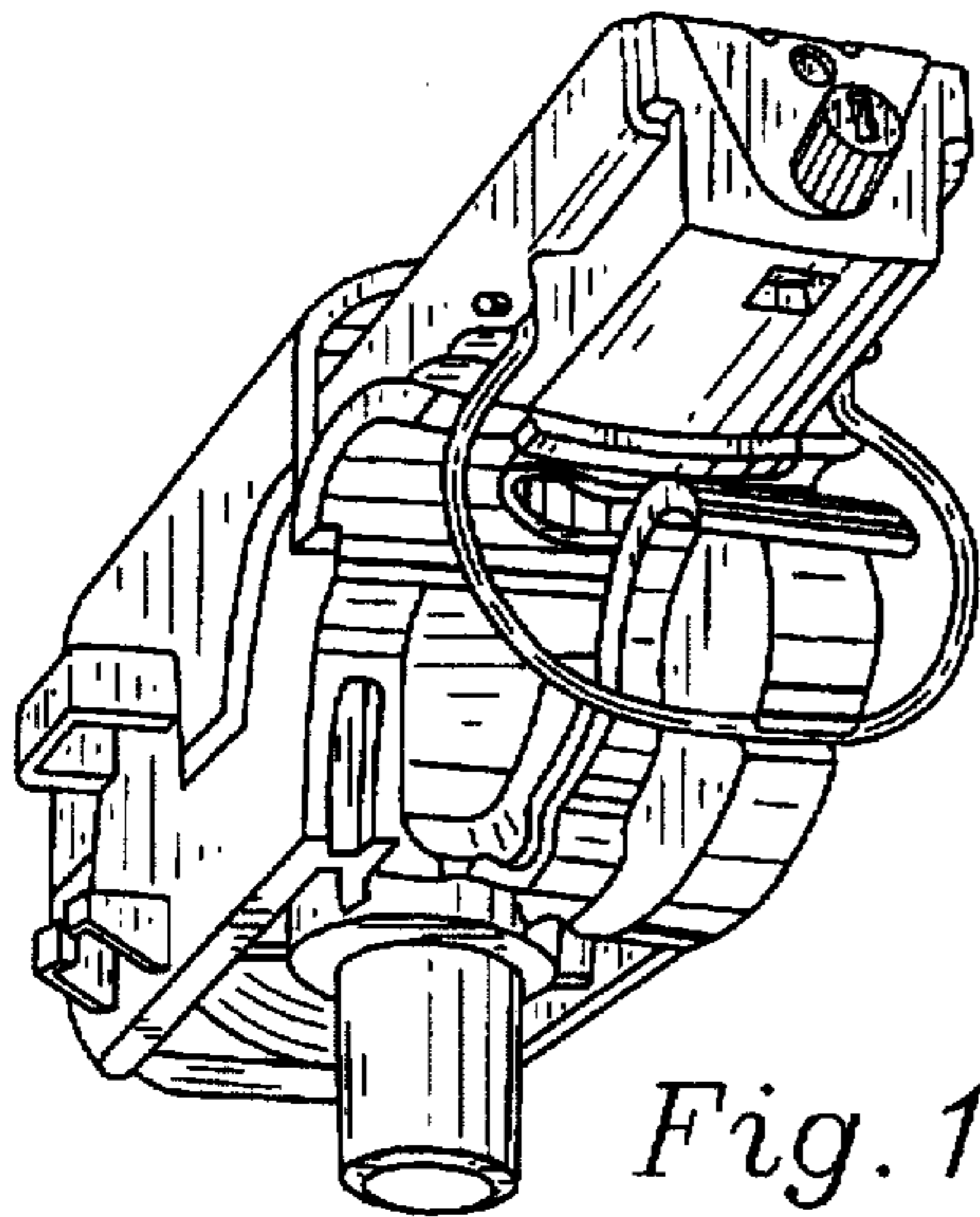


Fig. 1.

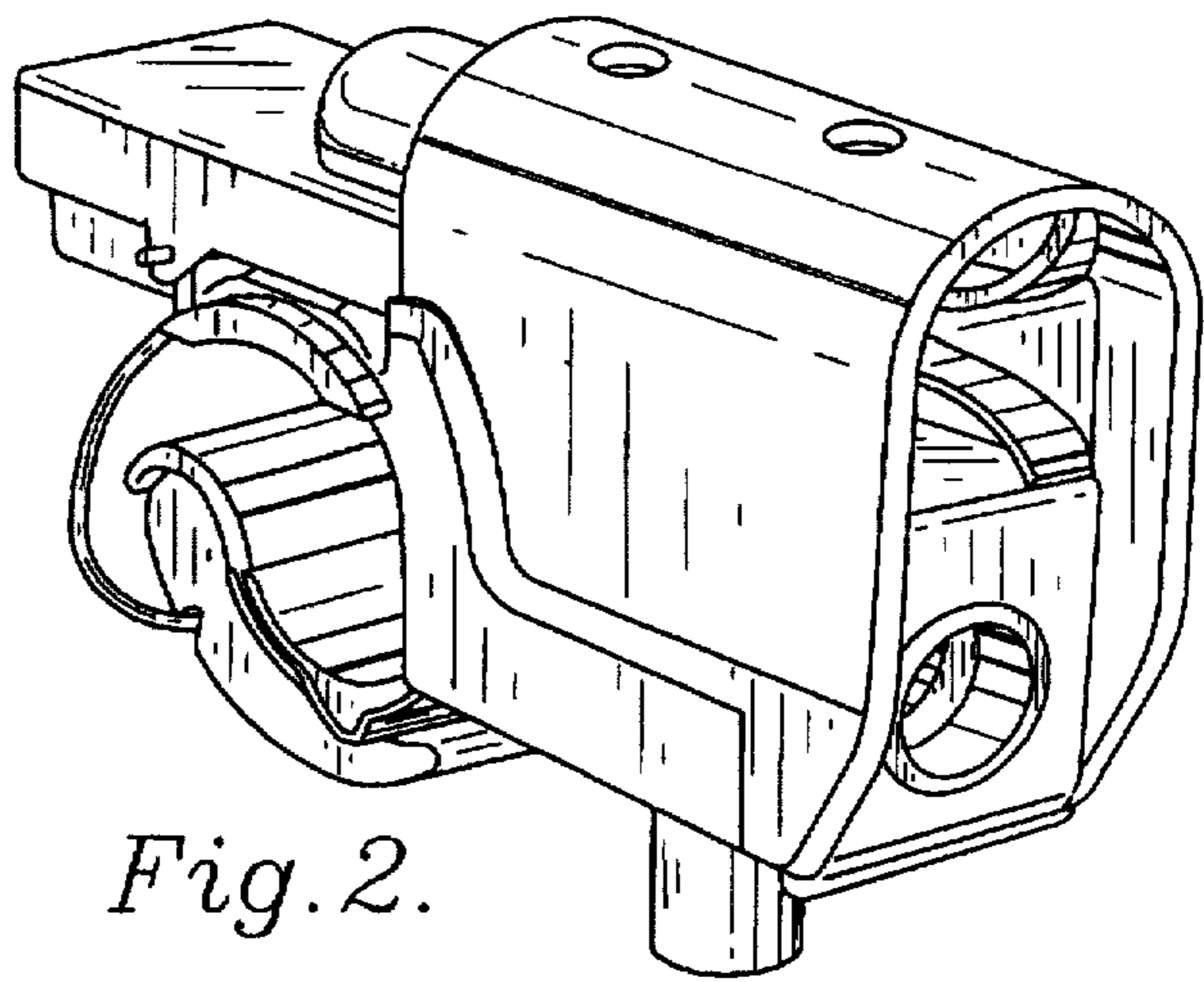


Fig. 2.

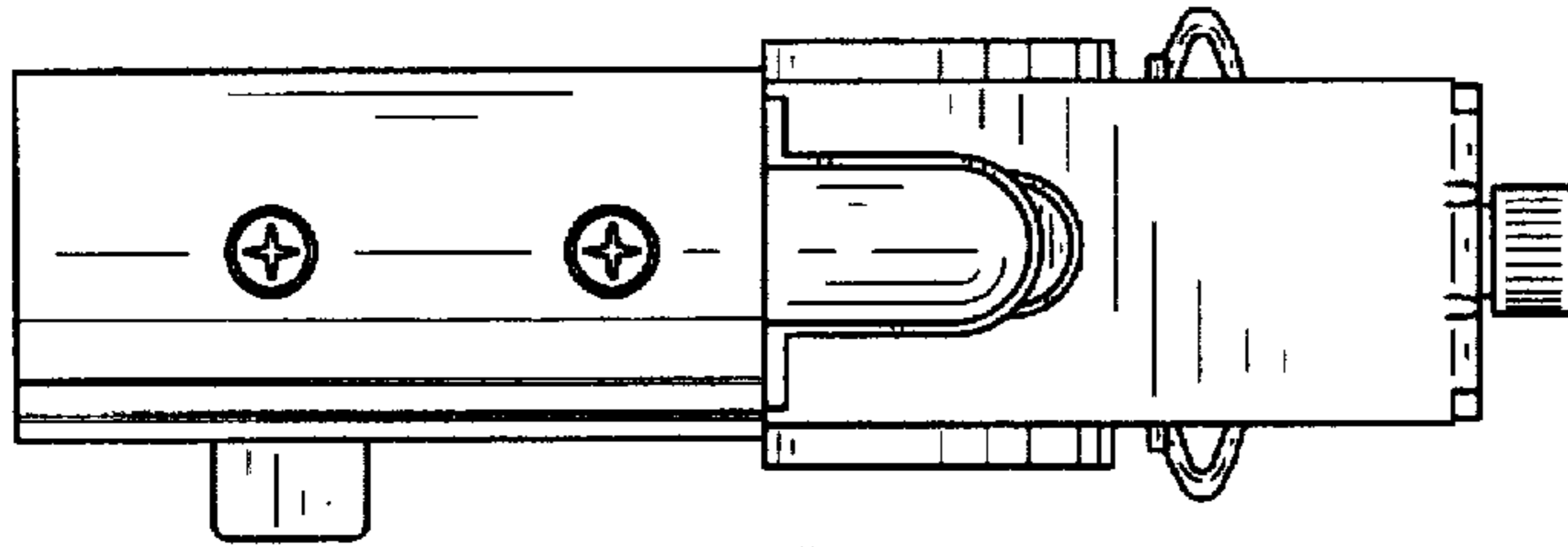


Fig. 7.

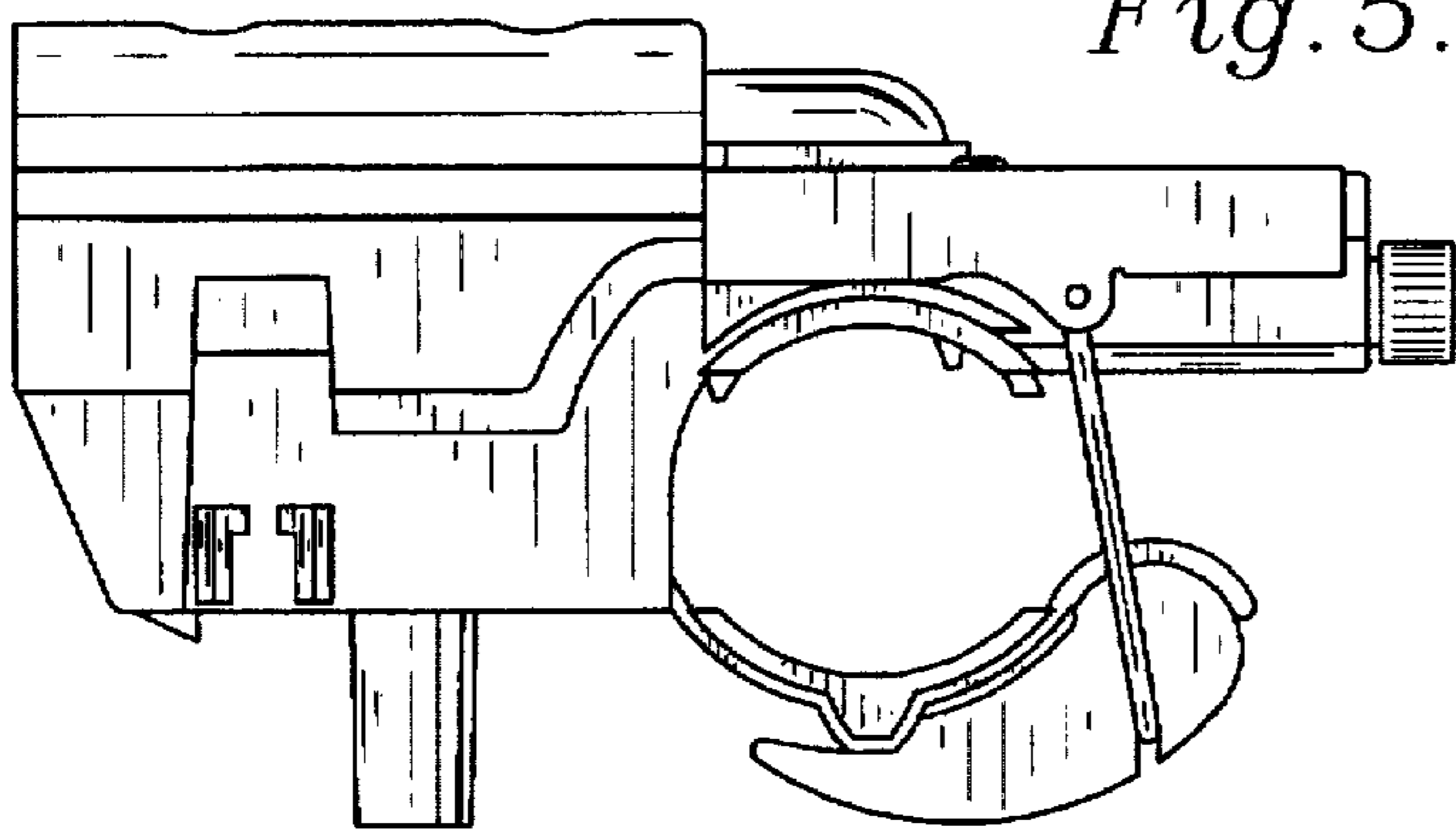


Fig. 5.

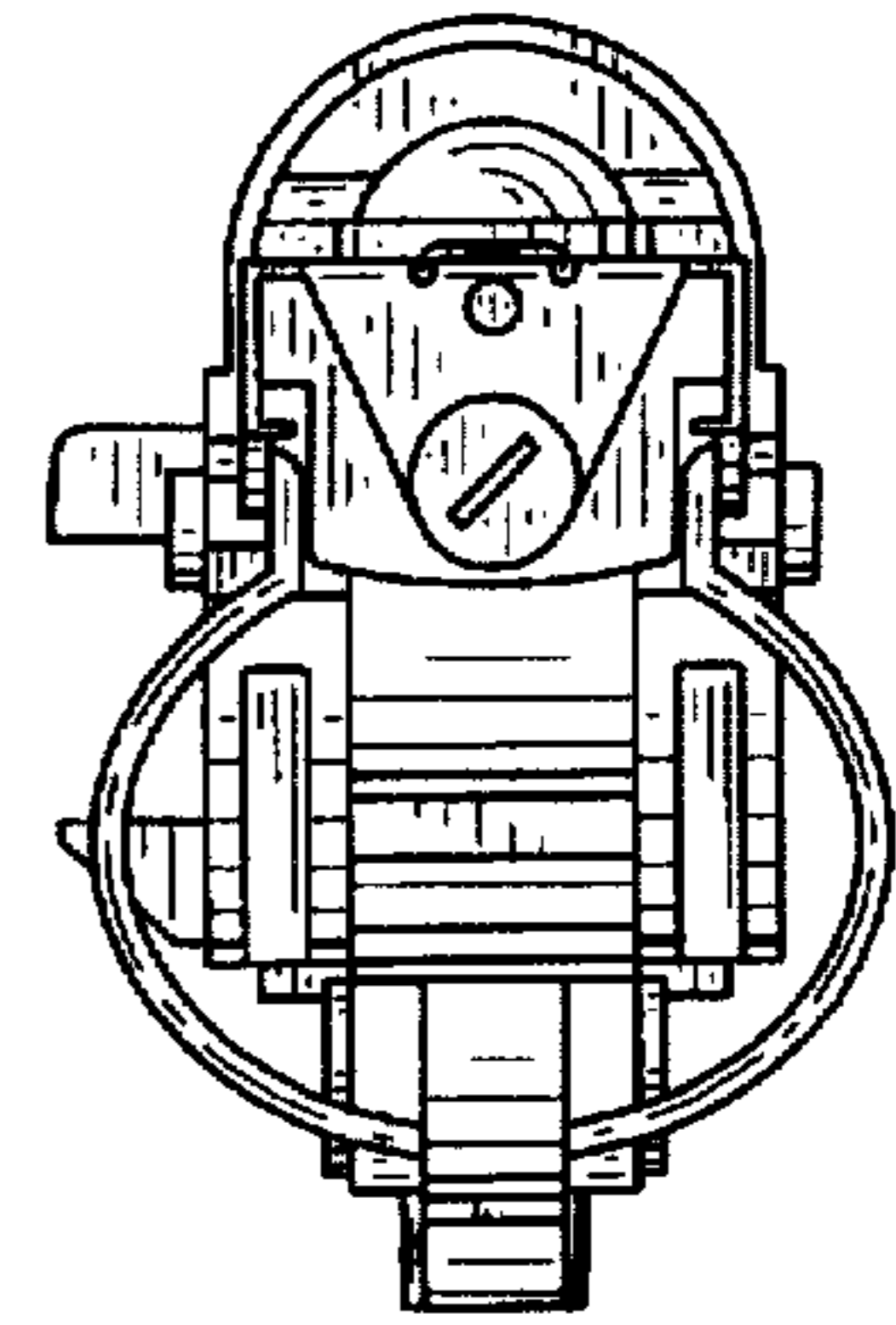


Fig. 3.

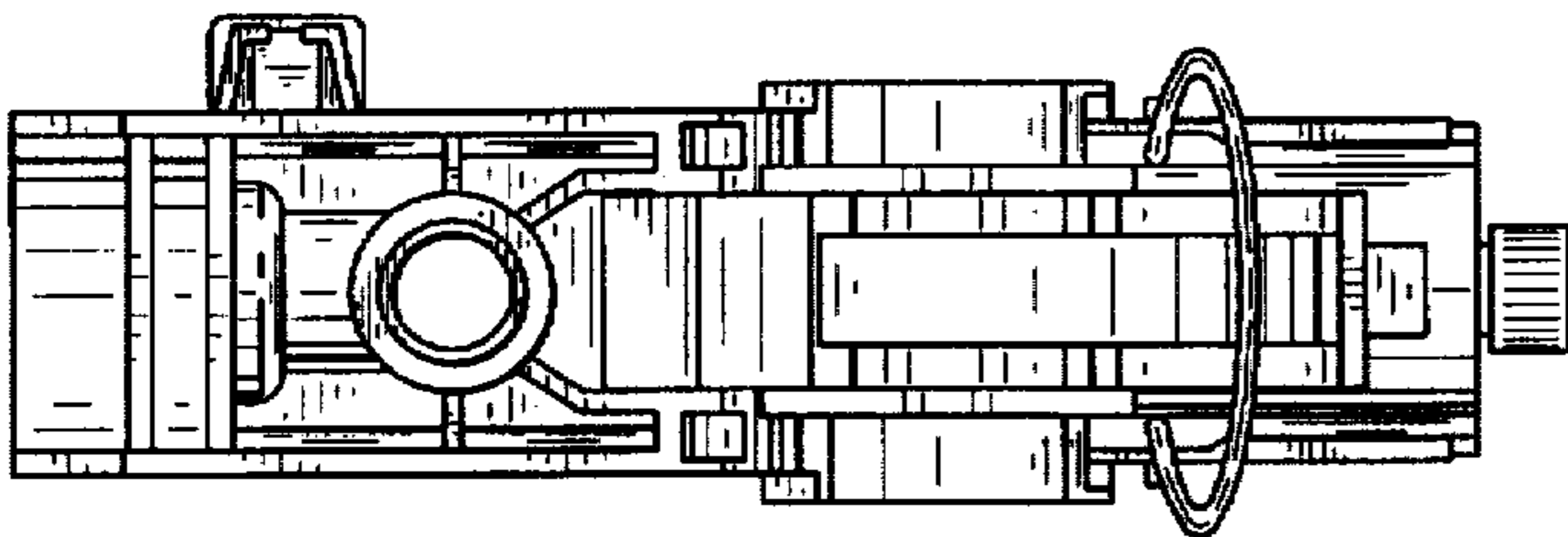


Fig. 4.

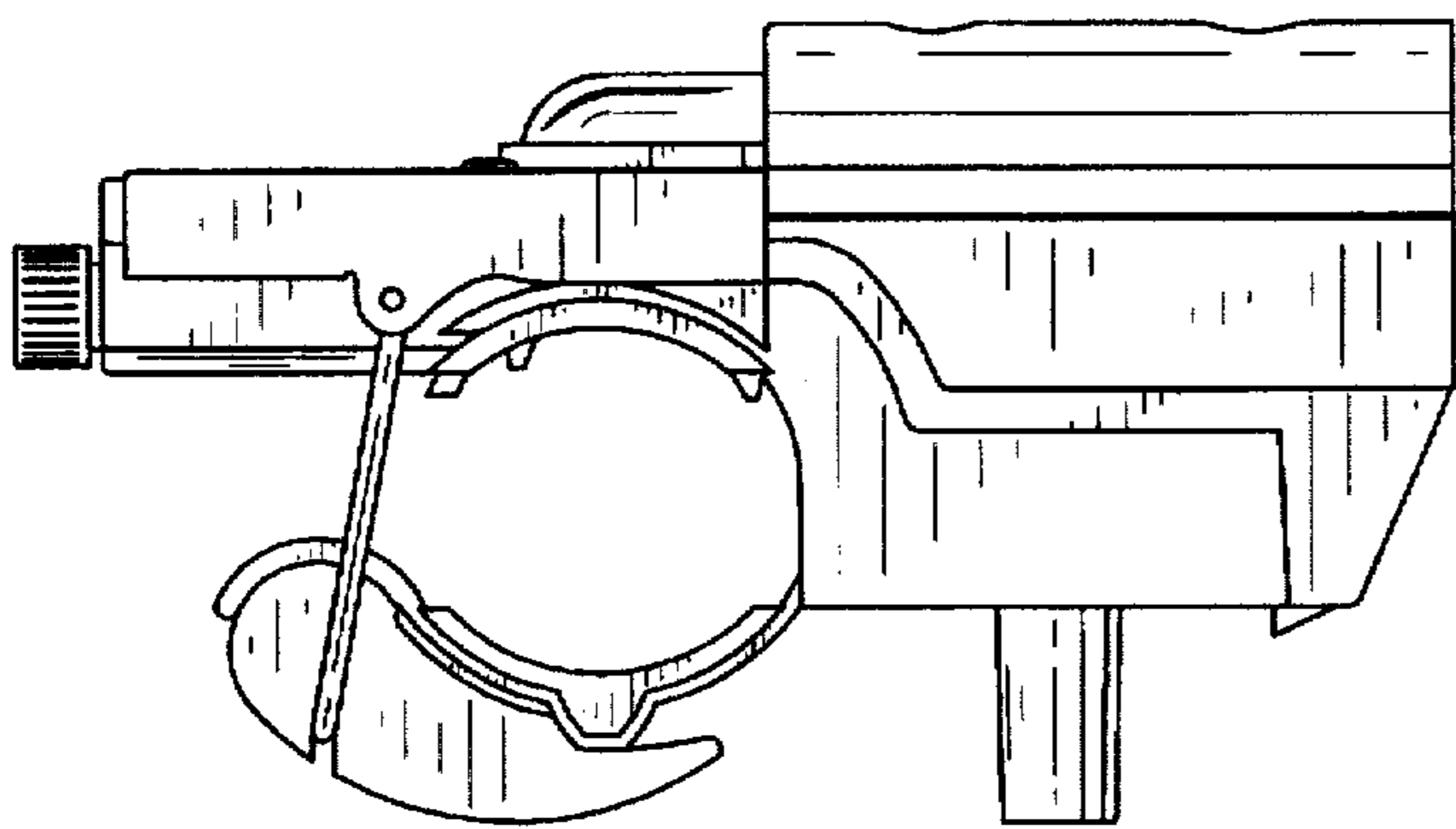


Fig. 8.

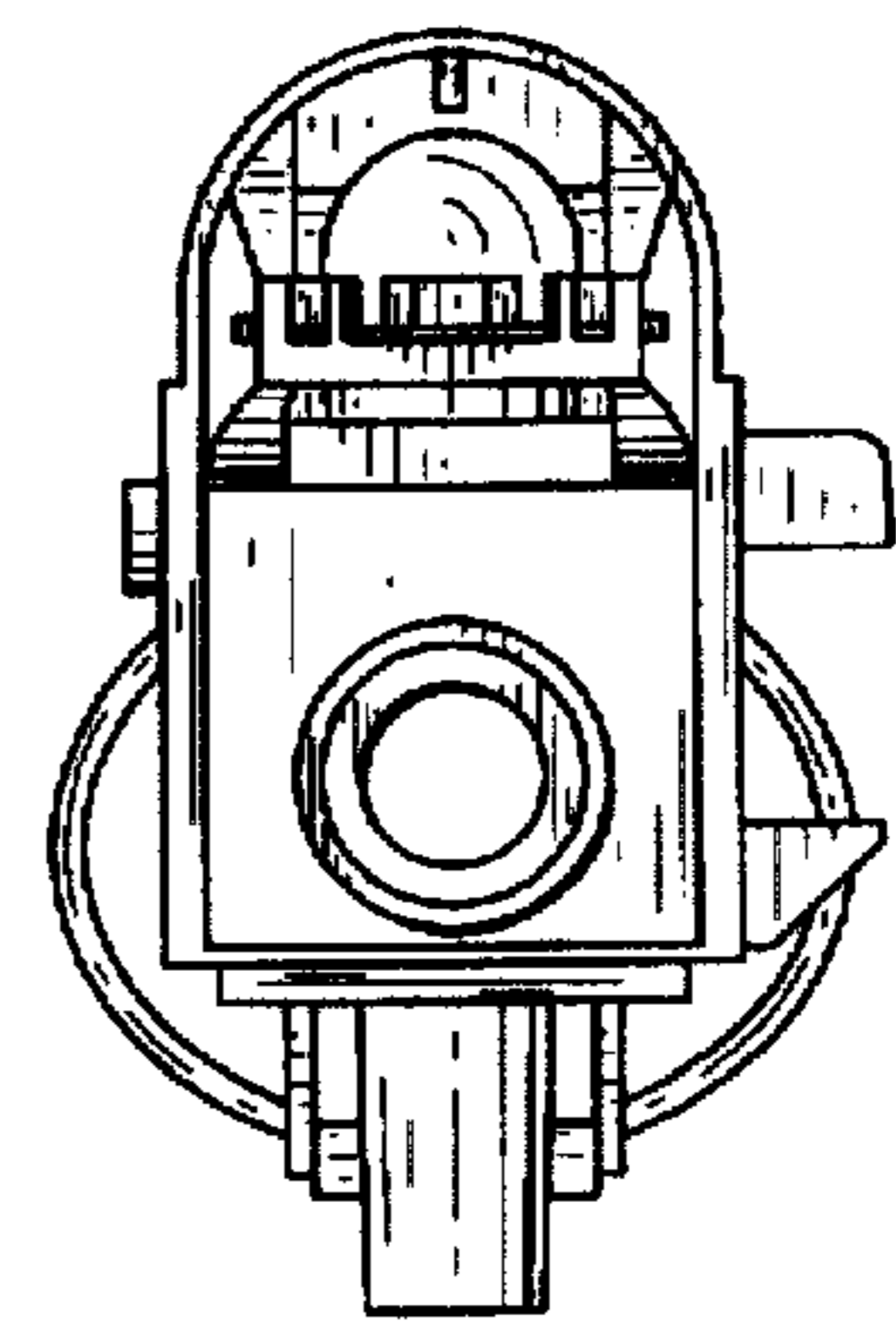


Fig. 6.