



US00D385011S

# United States Patent [19]

[11] Patent Number: **Des. 385,011**

Healy

[45] Date of Patent: **\*\*Oct. 14, 1997**

[54] **SPRINKLER DISPERSION PLATE CONNECTOR**

4,228,956 10/1980 Vamer ..... 239/533.1  
4,369,922 1/1983 Vikre ..... 239/533.1

[75] Inventor: **Mark Healy**, Orlando, Fla.

*Primary Examiner*—Joel Sincavage  
*Assistant Examiner*—Robin V. Taylor  
*Attorney, Agent, or Firm*—William M. Hobby, III

[73] Assignee: **Senninger Irrigation, Inc.**, Orlando, Fla.

[\*\*] Term: **14 Years**

[57] **CLAIM**

The ornamental design for a sprinkler dispersion plate connector design, as shown.

[21] Appl. No.: **36,076**

**DESCRIPTION**

[22] Filed: **Mar. 13, 1995**

[51] LOC (6) Cl. .... **23-01**

FIG. 1 is a top front perspective view of my new sprinkler dispersion plate connector;

[52] U.S. Cl. .... **D23/214**

FIG. 2 is a top plan view;

[58] Field of Search ..... D23/213, 214, D23/256, 266; 239/1, 533.1, 590.5, DIG. 1, 728, 222.17, 222.21, 390-391

FIG. 3 is a bottom plan view;

FIG. 4 is a side elevation;

FIG. 5 is a second side elevation; and,

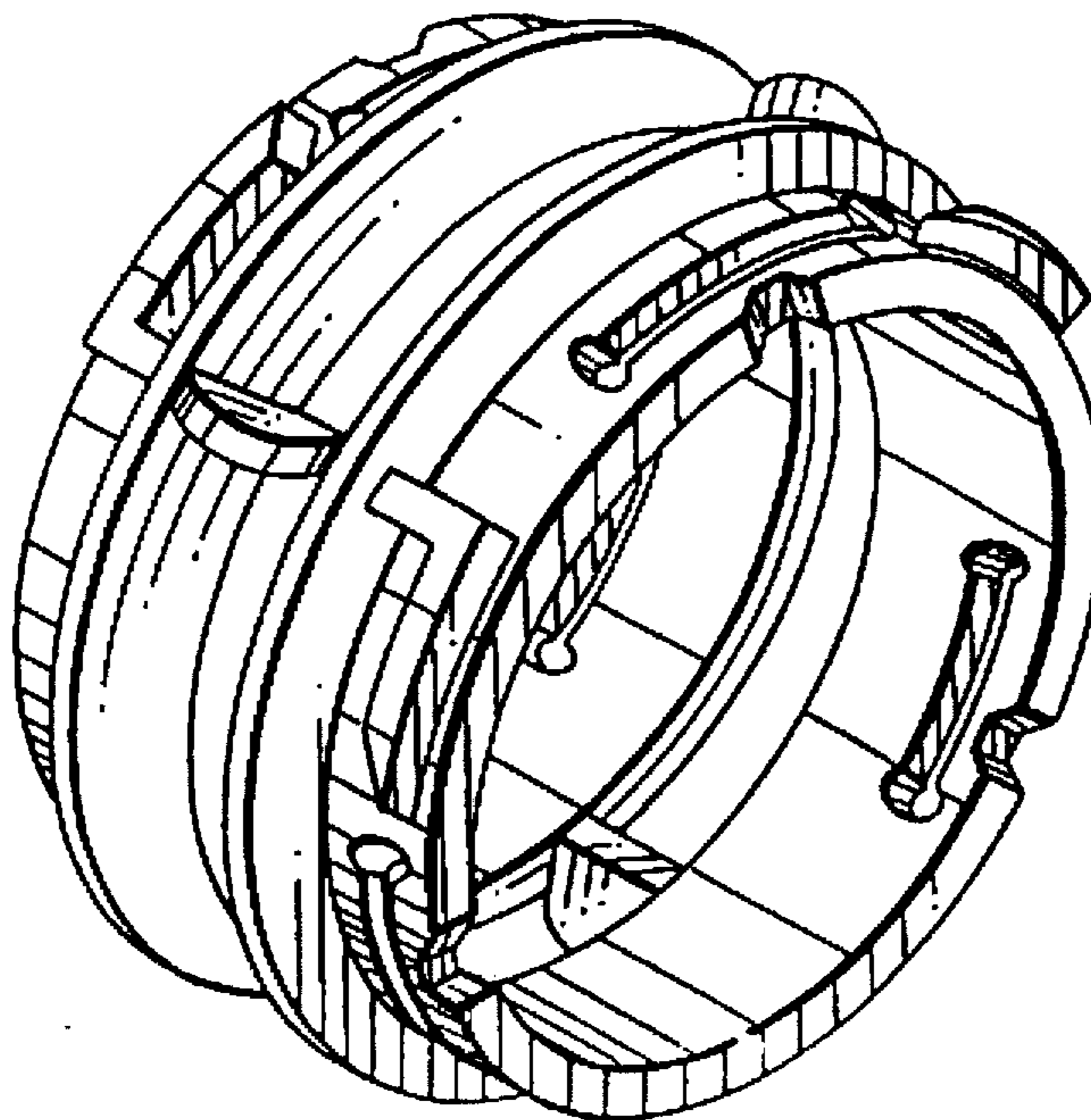
FIG. 6 is a third side elevation.

[56] **References Cited**

**U.S. PATENT DOCUMENTS**

4,072,269 2/1978 Berg ..... 239/1

**1 Claim, 1 Drawing Sheet**



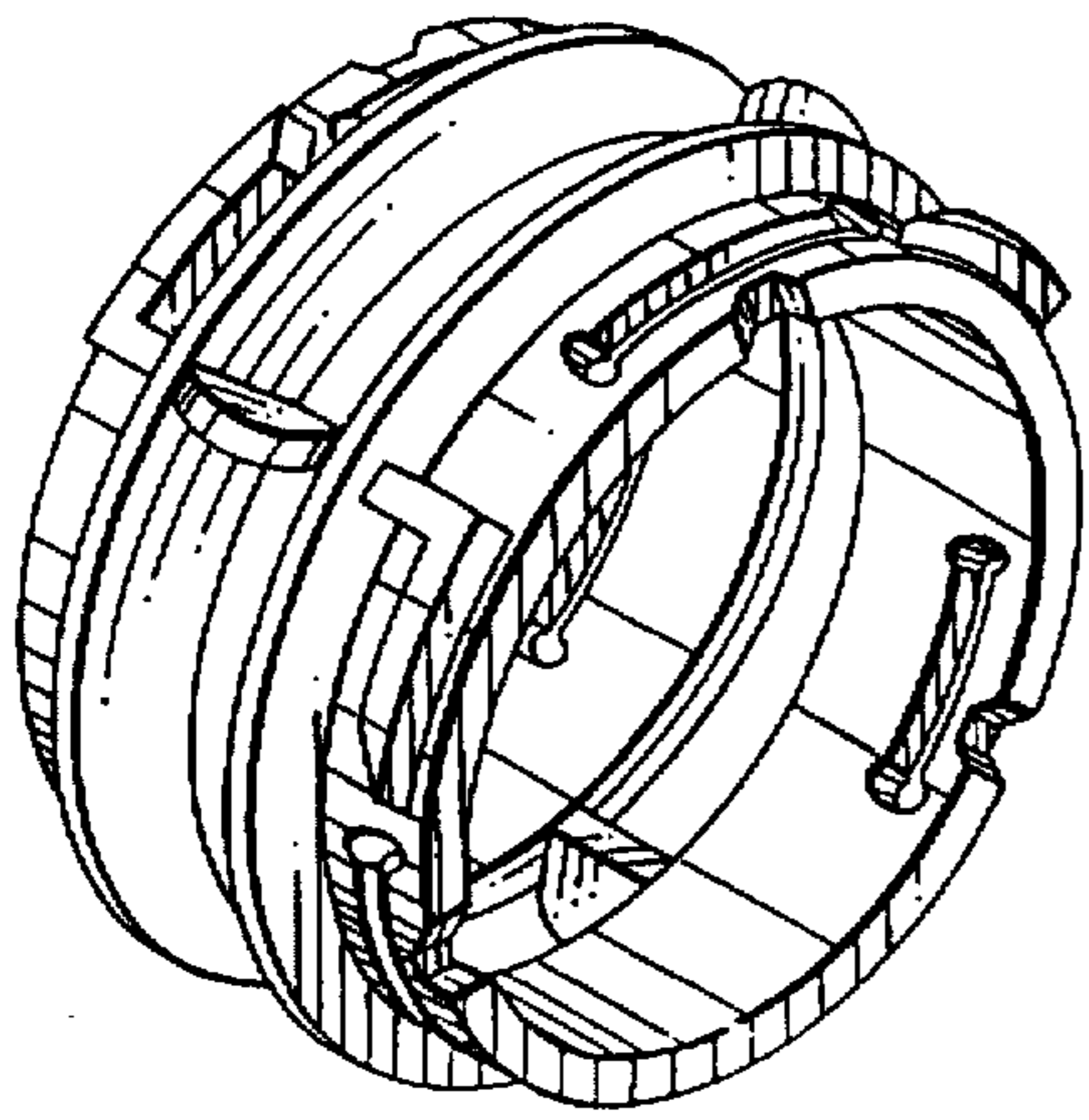


FIG. 1

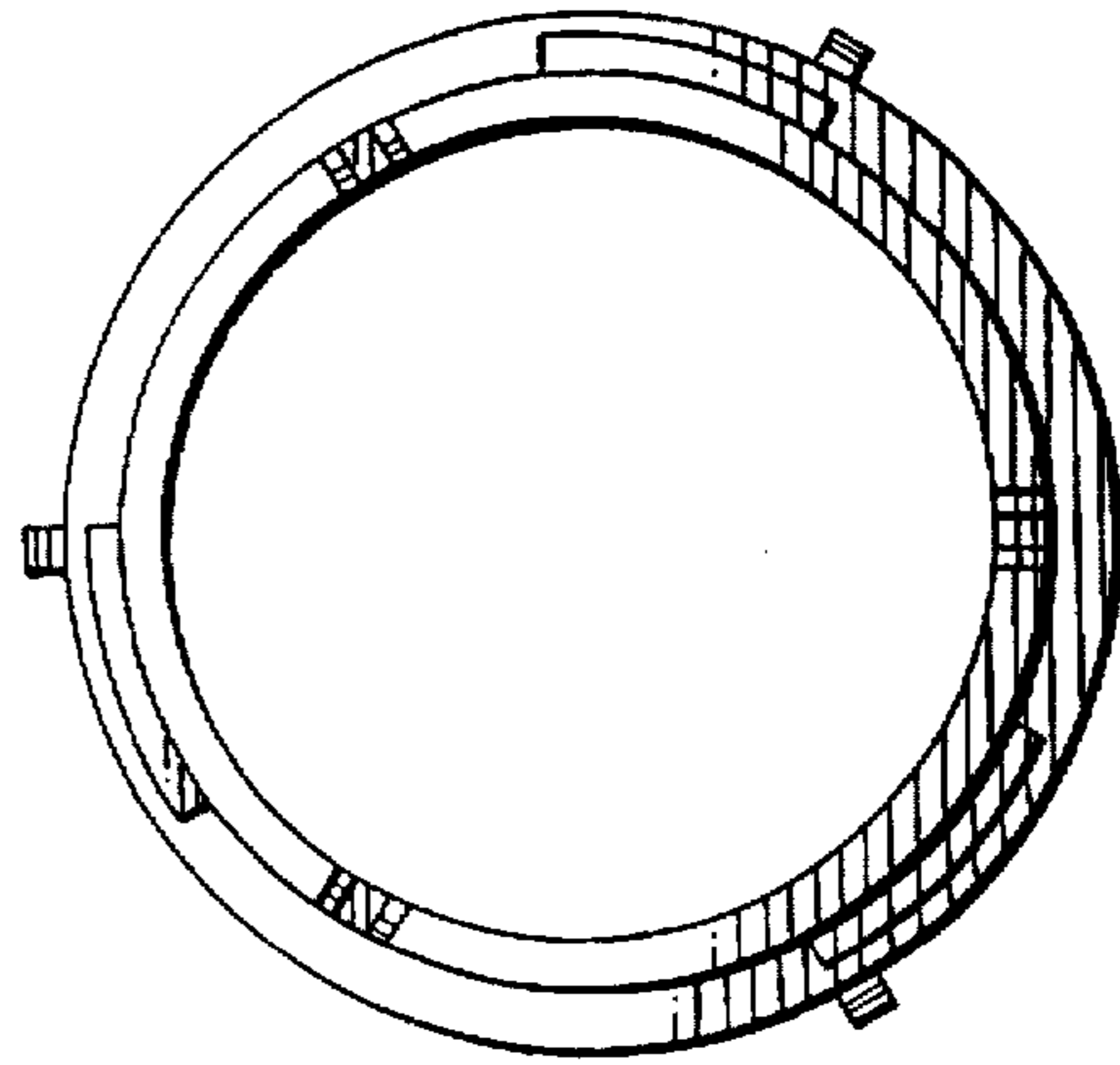


FIG. 2

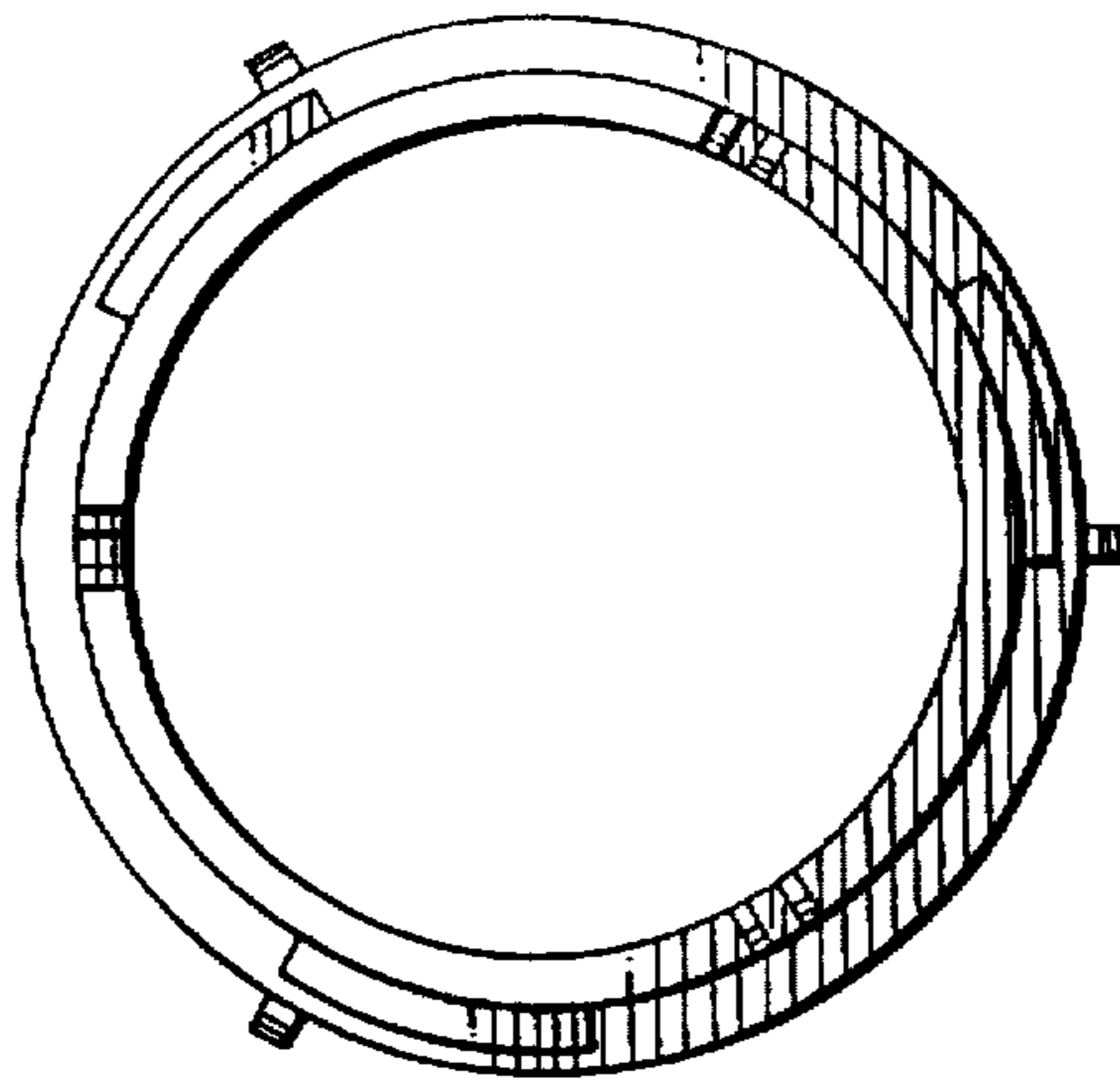


FIG. 3

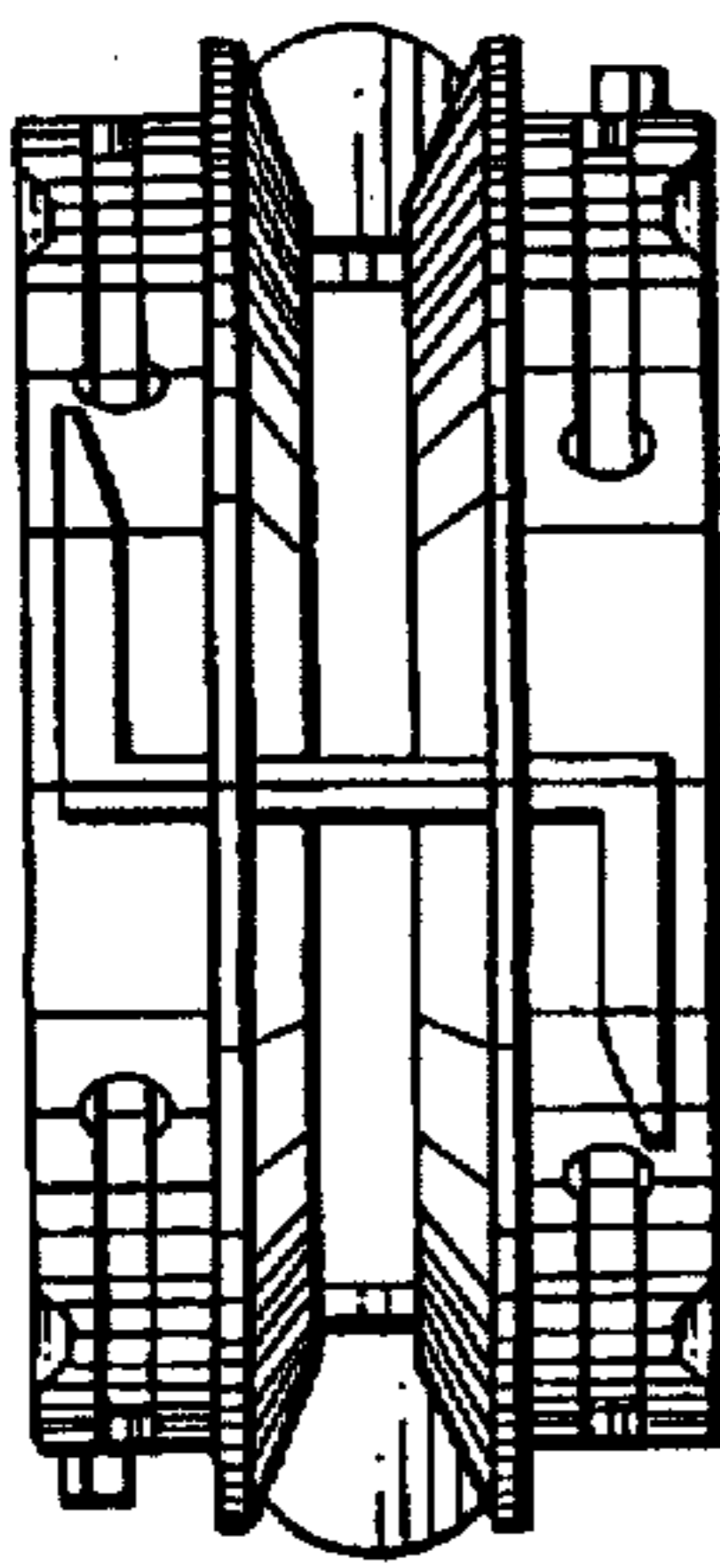


FIG. 4

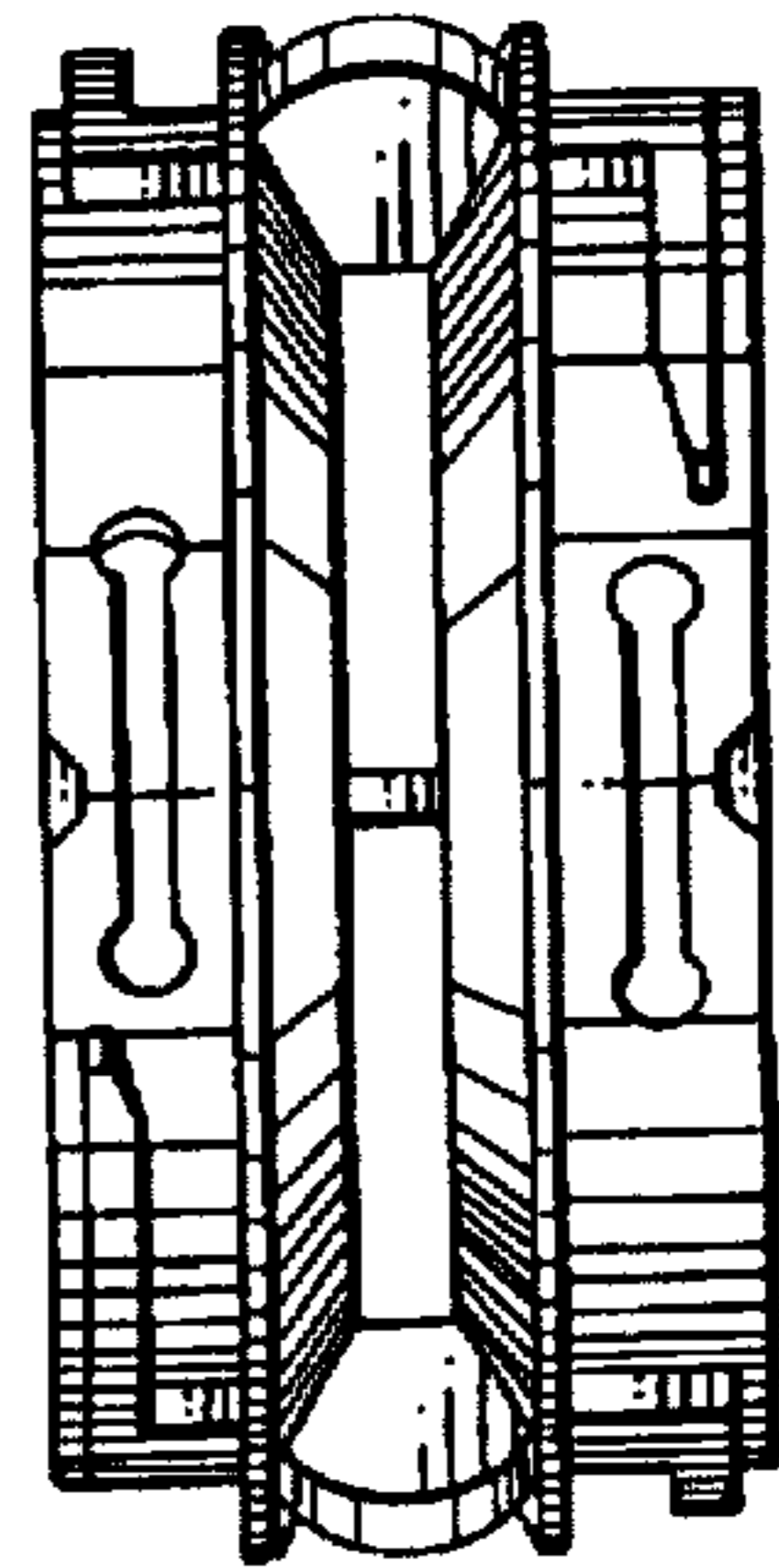


FIG. 5

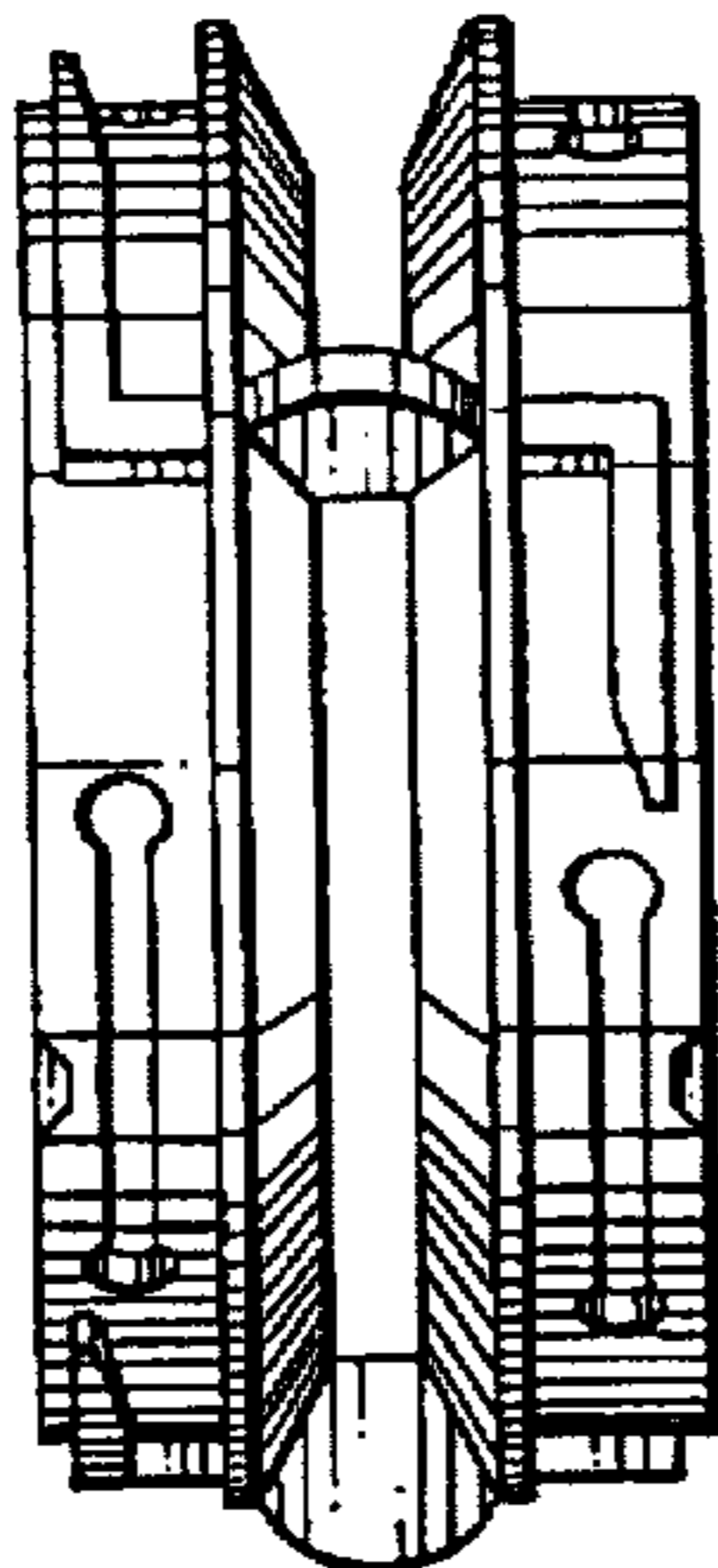


FIG. 6