



US00D385008S

United States Patent [19]

Lamont

[11] Patent Number: **Des. 385,008**

[45] Date of Patent: ****Oct. 14, 1997**

[54] SEMI-AUTOMATIC PISTOL

4,625,706 12/1986 Turner, Jr. D22/103 X
4,766,800 8/1988 Miller et al. D22/103 X

[76] Inventor: **Michael S. Lamont**, 492 E. 13th Ave., Eugene, Oreg. 97401

Primary Examiner—Louis S. Zarfes
Assistant Examiner—Monica A. Weingart
Attorney, Agent, or Firm—Dellett and Walters

[**] Term: **14 Years**

[57] **CLAIM**

[21] Appl. No.: **44,657**

The ornamental design for a semi-automatic pistol, as shown.

[22] Filed: **Sep. 28, 1995**

[51] LOC (6) Cl. **22-01**

DESCRIPTION

[52] U.S. Cl. **D22/104; D22/100**

[58] **Field of Search** D22/100, 101, D22/103, 104, 105, 108, 199; D21/145, 146, 147; 42/7, 18, 49.02, 71.01; 89/1.41, 1.702, 1.703, 1.705, 1.706, 126, 127, 196

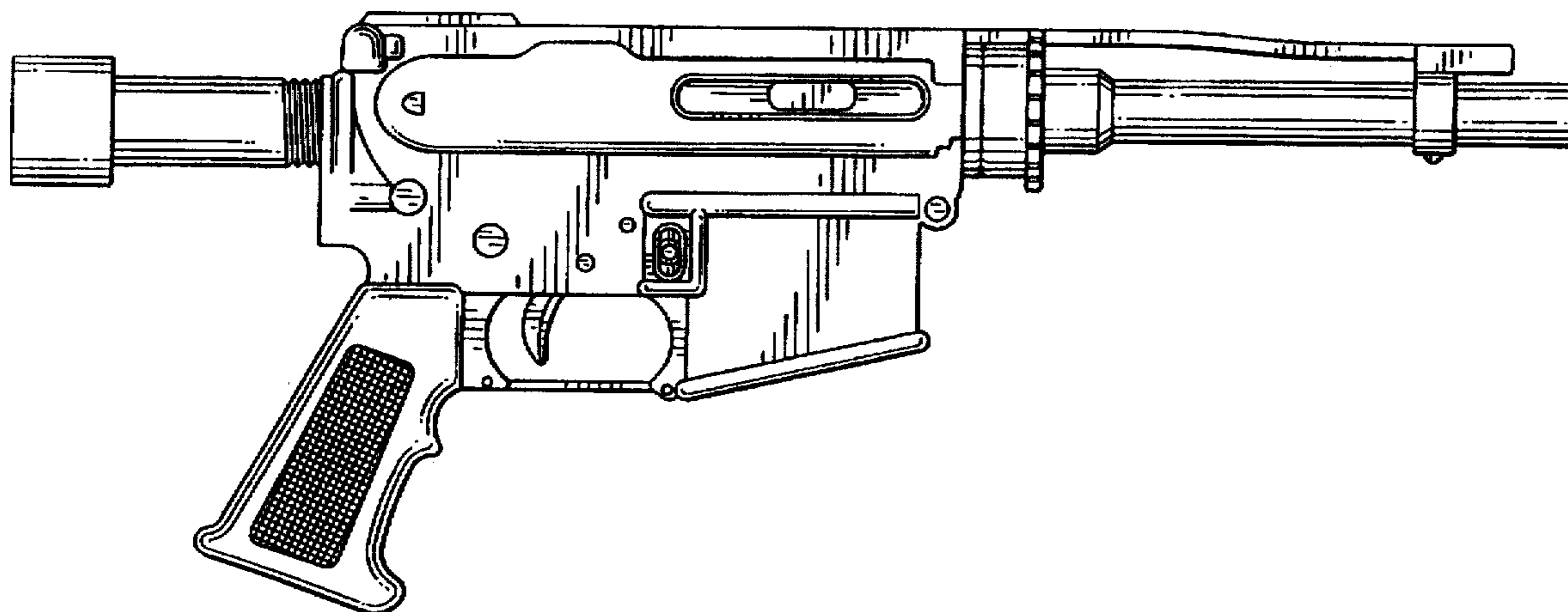
FIG. 1 is a left side view of a semi-automatic pistol according to my present invention;
FIG. 2 is a front view of the semi-automatic pistol of FIG. 1;
FIG. 3 is a top view of the semi-automatic pistol of FIG. 1;
FIG. 4 is a rear view of the semi-automatic pistol of FIG. 1;
FIG. 5 is a right side view of the semi-automatic pistol according to my present invention; and,
FIG. 6 is a bottom side view of the semi-automatic pistol of FIG. 1.

[56] **References Cited**

U.S. PATENT DOCUMENTS

D. 295,058 4/1988 Turner, Jr. D21/146
D. 359,529 6/1995 Nguyen D22/103 X
2,424,194 7/1947 Sampson et al. 42/71.01 X
3,738,219 6/1973 Febres 89/1.703

1 Claim, 2 Drawing Sheets



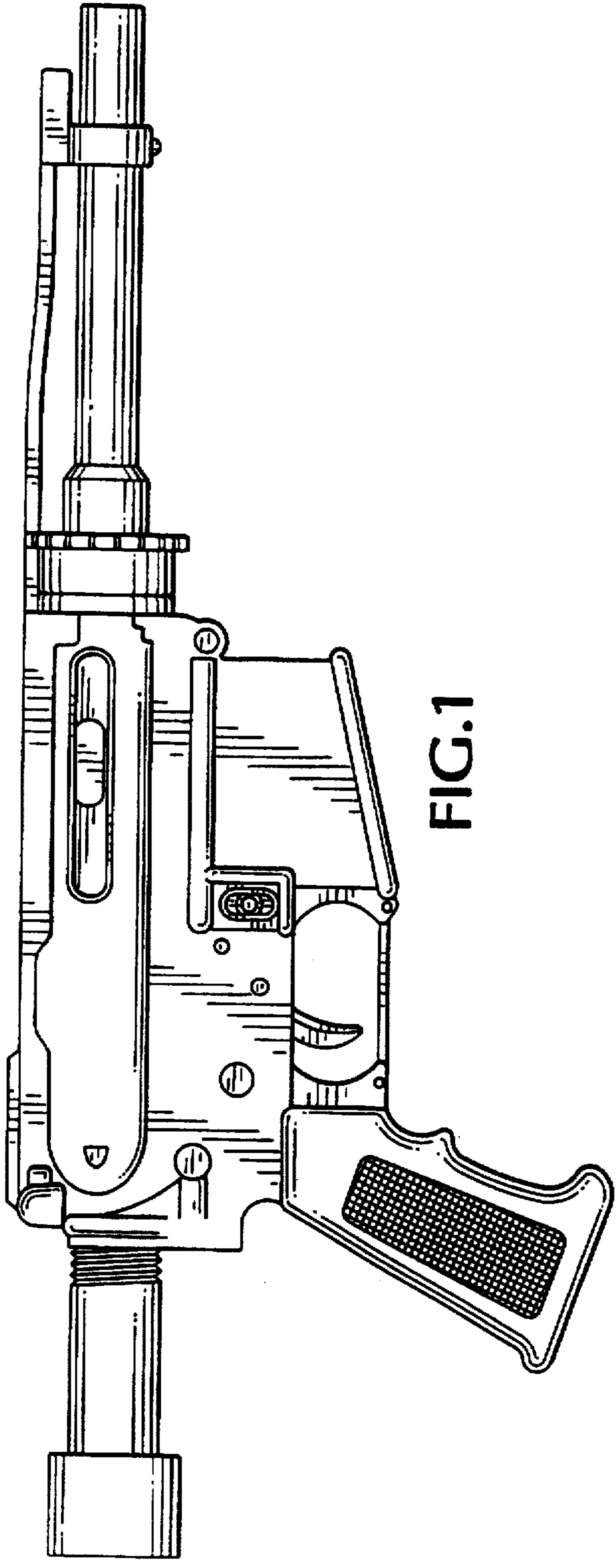


FIG. 1

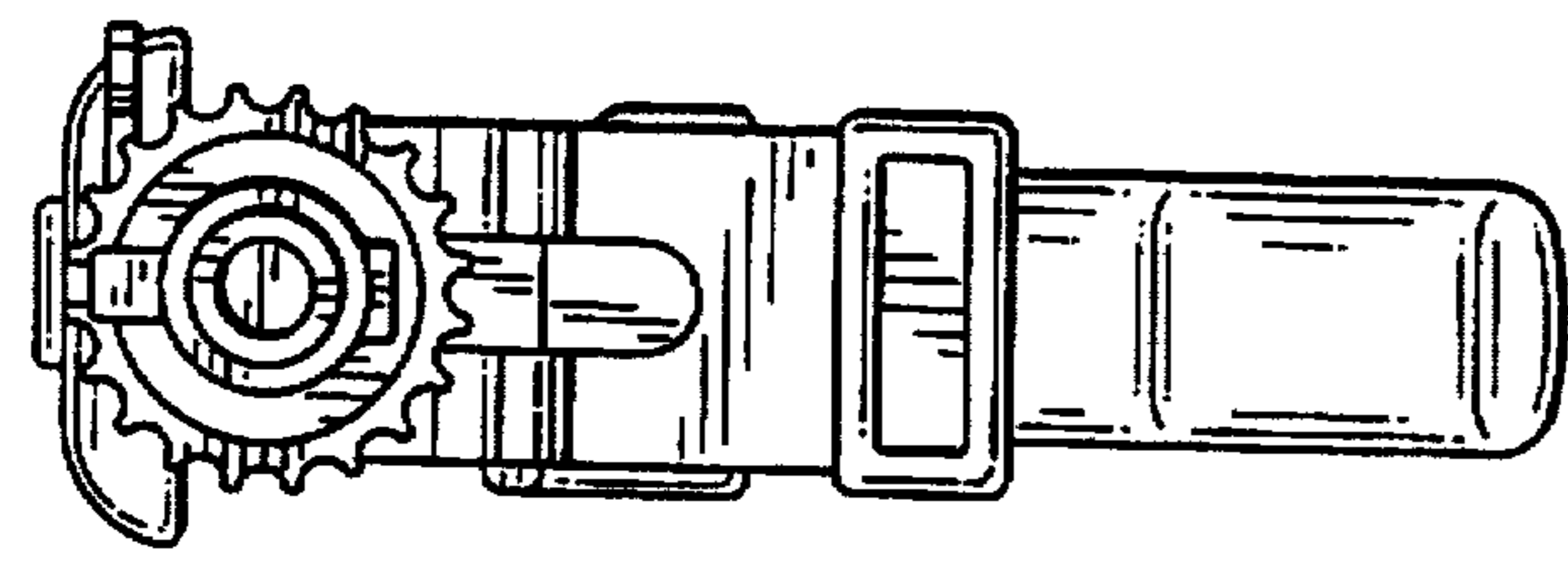


FIG. 2

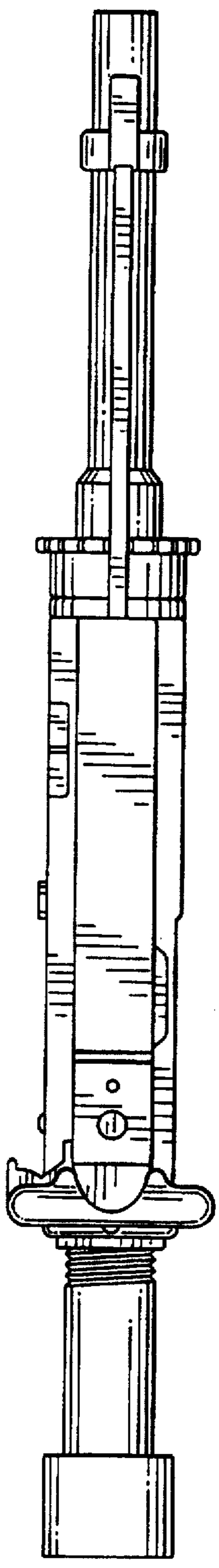


FIG. 3

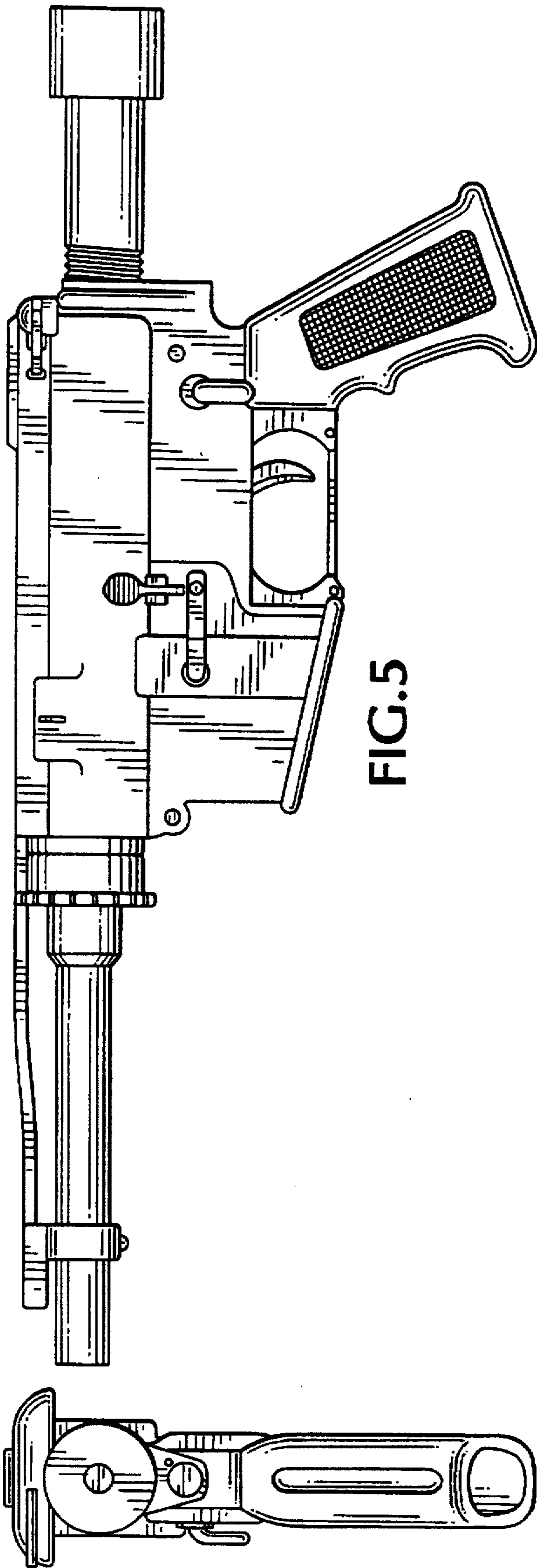


FIG.5

FIG.4

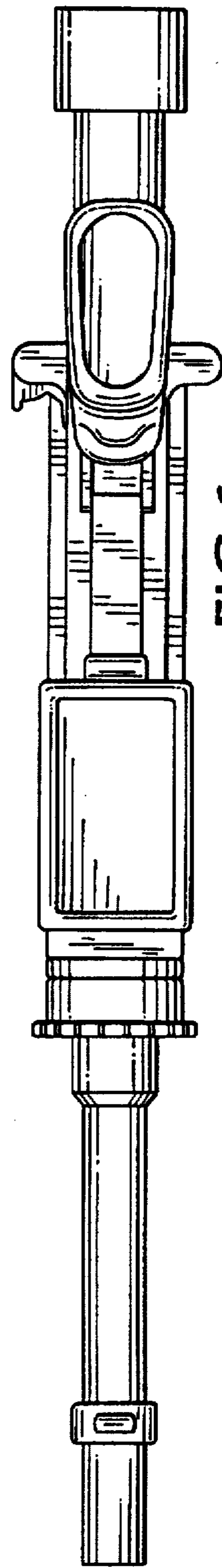


FIG.6