



US00D385004S

United States Patent [19]
Steele

[11] **Patent Number: Des. 385,004**

[45] **Date of Patent: **Oct. 14, 1997**

[54] **GOLF PUTTER HEAD**

[76] **Inventor: Jack F. Steele, 929 N. Astor St., Milwaukee, Wis. 53202**

[**] **Term: 14 Years**

[21] **Appl. No.: 55,950**

[22] **Filed: Jun. 17, 1996**

[51] **LOC (6) Cl. 21-02**

[52] **U.S. Cl. D21/219**

[58] **Field of Search D21/217-219; 473/340, 341, 251-256**

[56] **References Cited**

U.S. PATENT DOCUMENTS

D. 202,504	10/1965	Citro	D21/218	X
D. 218,108	7/1970	Wegener	D21/219	X
D. 357,043	4/1995	Turner	D21/217	
D. 374,050	9/1996	Gurrola	D21/219	
5,383,664	1/1995	Epperson	473/340	

Primary Examiner—Raphael Barkai
Assistant Examiner—Mitchell I. Siegel
Attorney, Agent, or Firm—Andrus, Scales, Starke & Sawall

[57] **CLAIM**

The ornamental design for a golf putter head, as shown and described.

DESCRIPTION

FIG. 1 is a perspective view of the golf putter head;
FIG. 2 is a top plan view of the golf putter head;
FIG. 3 is a front view of the golf putter head;
FIG. 4 is a right side elevation of the golf putter head, the left side elevation being the same; and,
FIG. 5 is a bottom view of a the golf putter head.
The broken line showing of a fragmented shaft on figure 3 is for illustrative purposes only and forms no part of the claimed design.

1 Claim, 1 Drawing Sheet

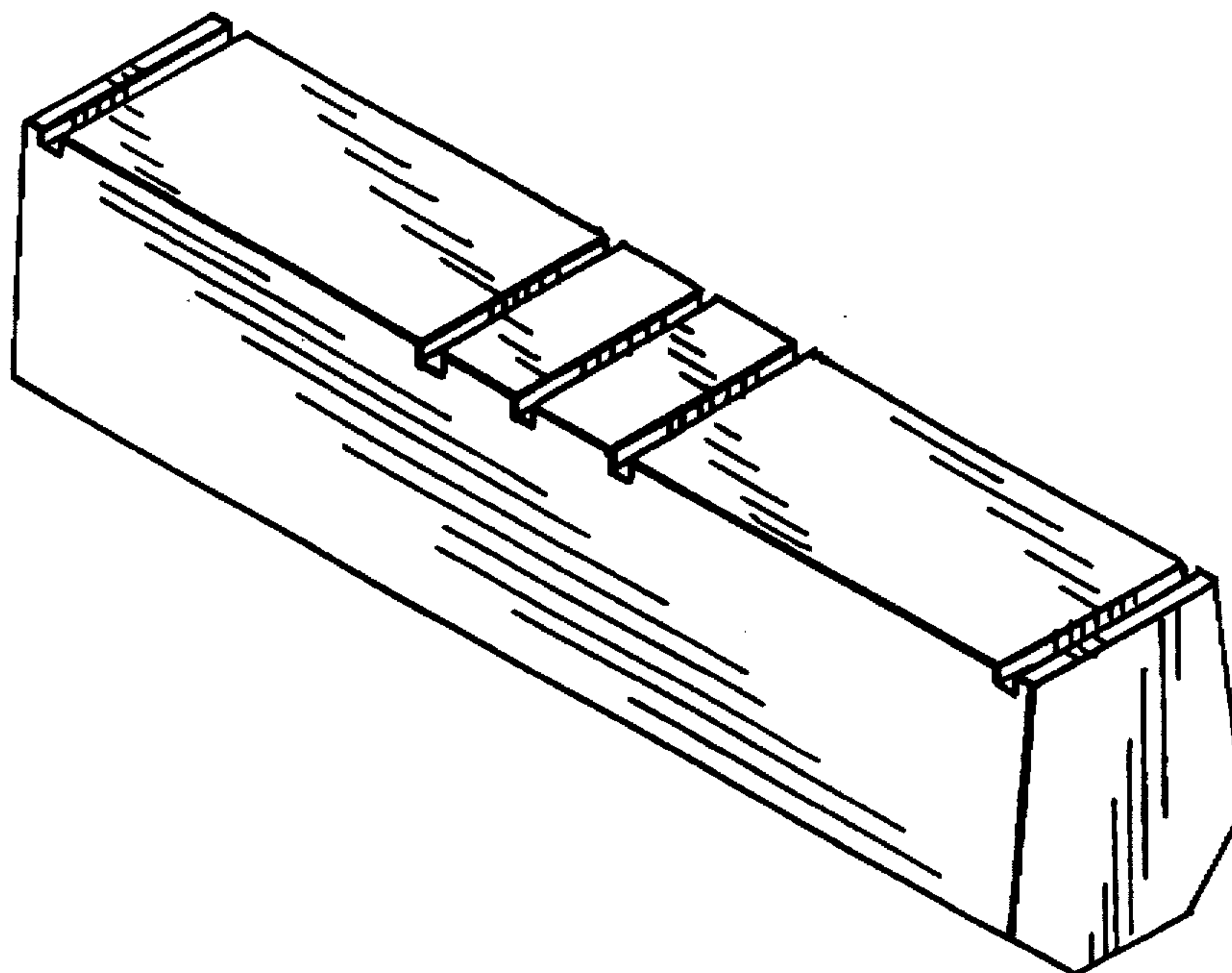


FIG. 1

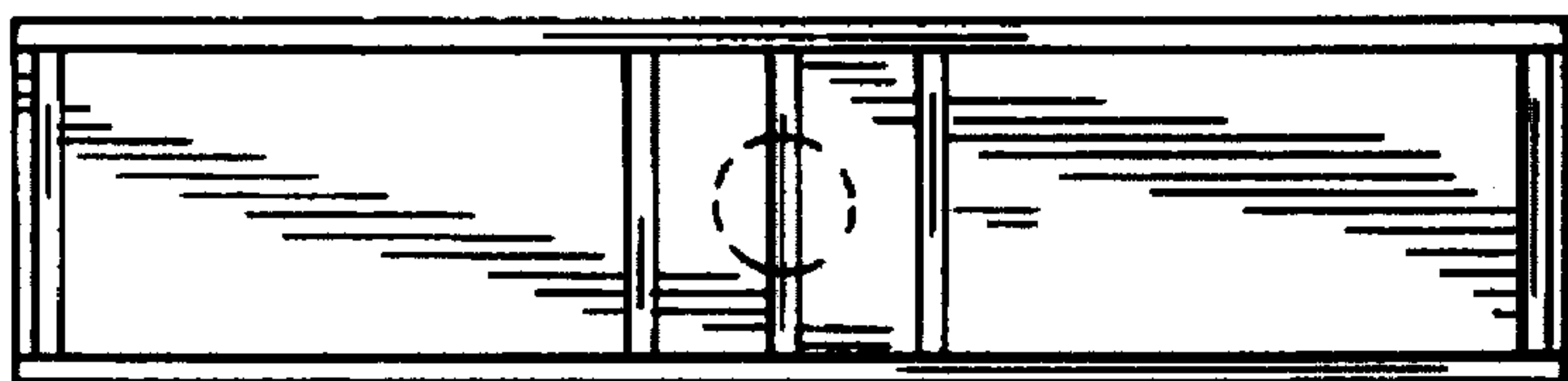
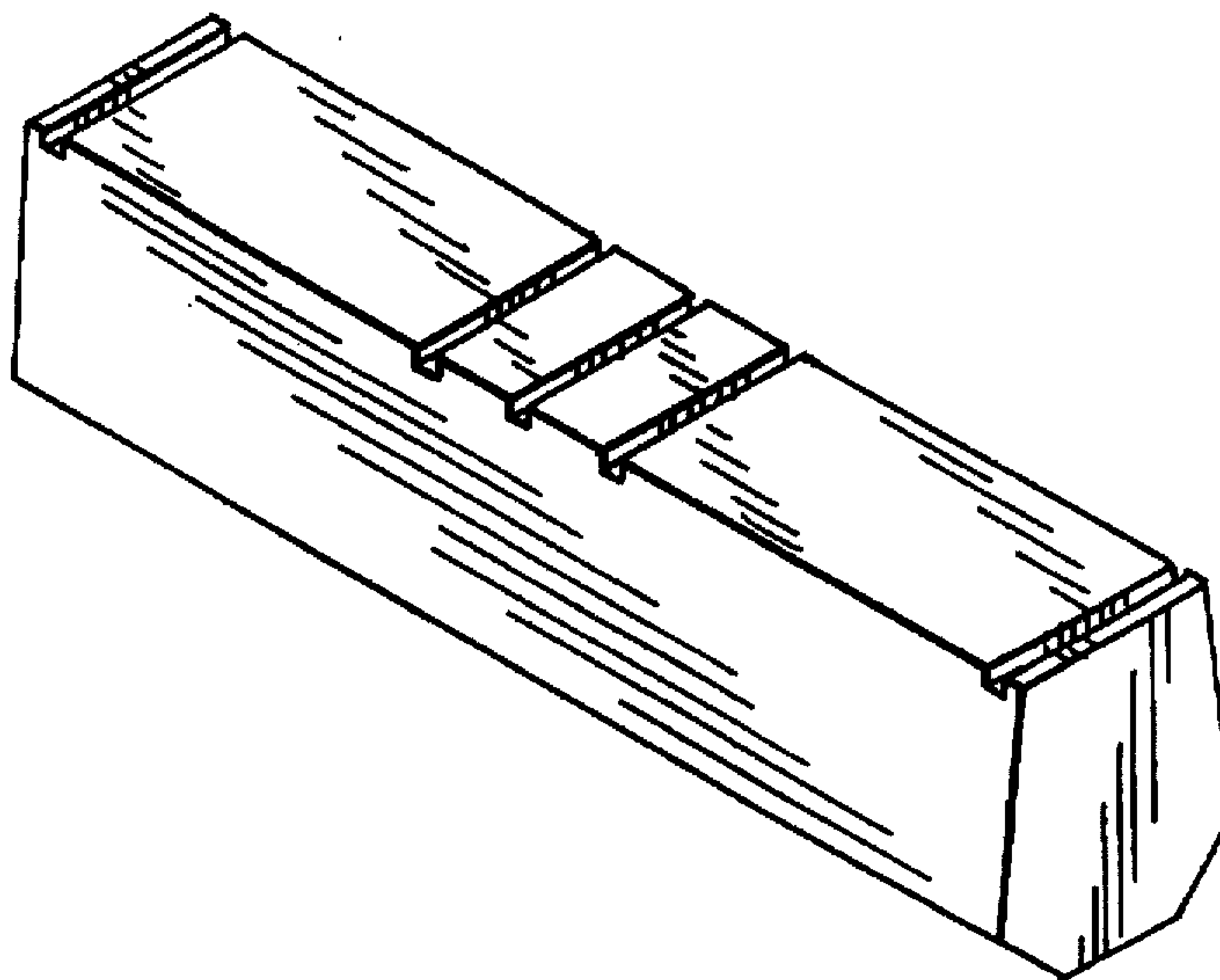


FIG. 2

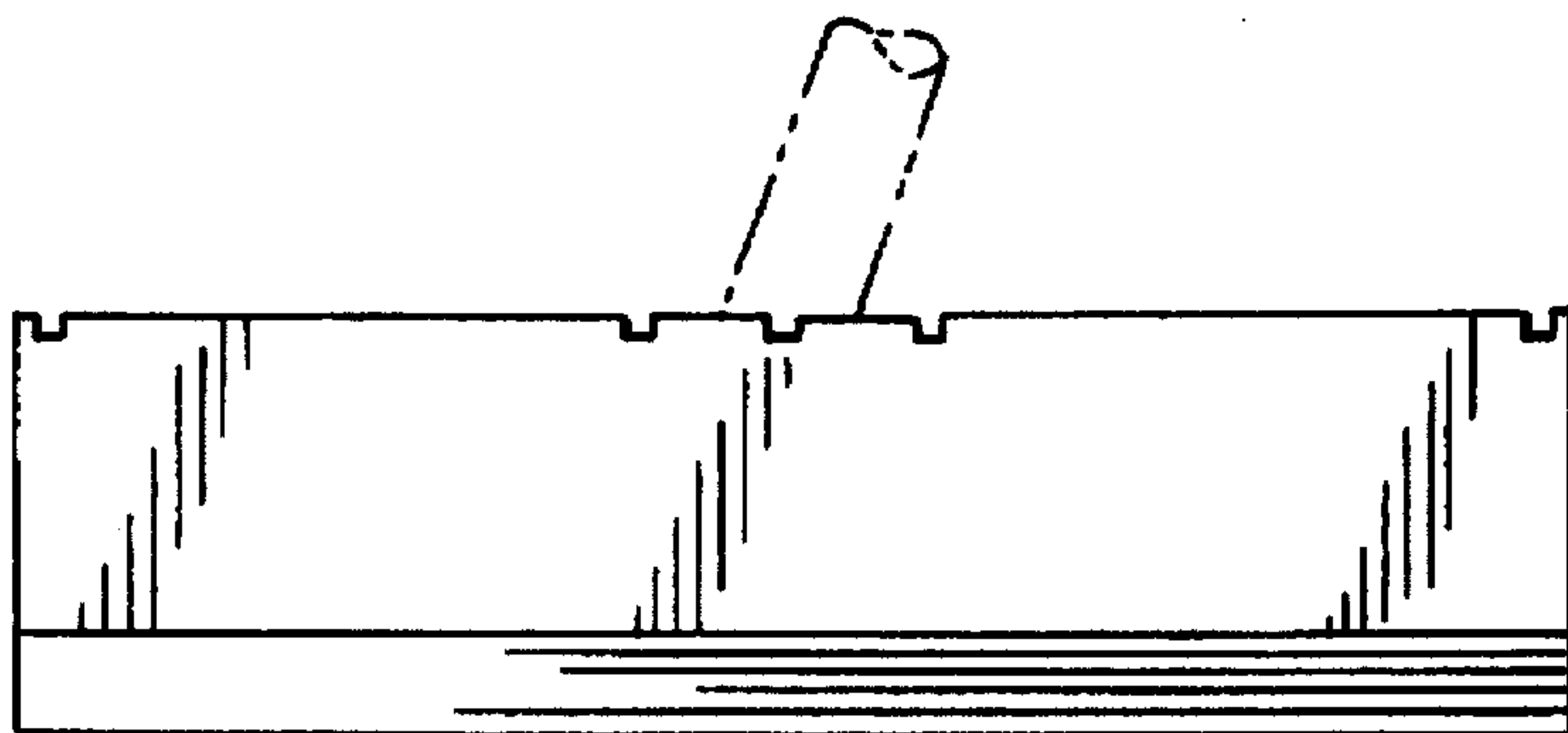


FIG. 3

FIG. 4

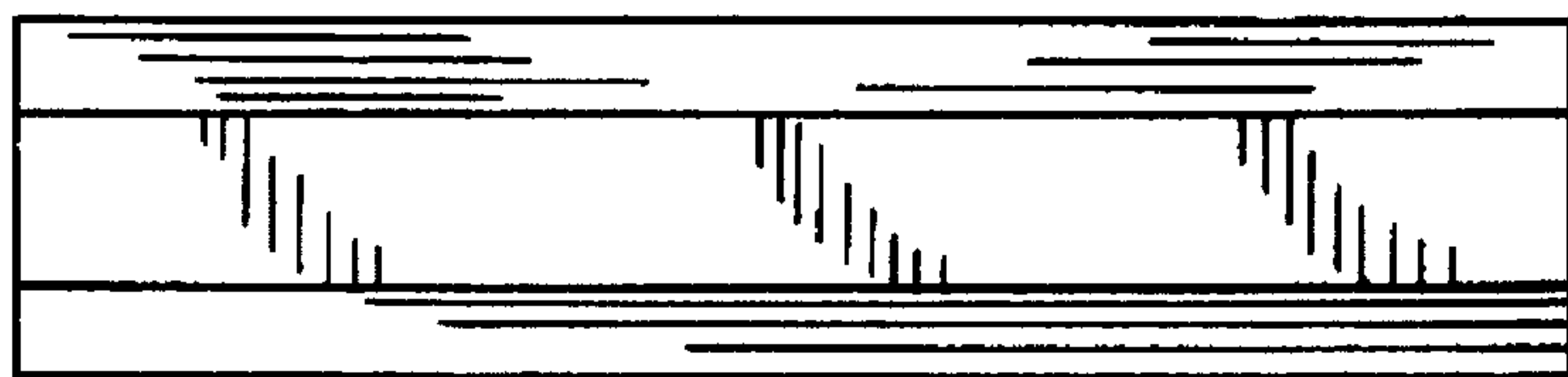


FIG. 5