



US00D385003S

United States Patent [19]

[11] Patent Number: **Des. 385,003**

Burrows

[45] Date of Patent: ****Oct. 14, 1997**

[54] **WOOD-TYPE HEAD FOR A GOLF CLUB**

[76] Inventor: **Bruce D. Burrows**, 24844 Anza Dr.,
Valencia, Calif. 91355

[**] Term: **14 Years**

[21] Appl. No.: **60,126**

[22] Filed: **Sep. 23, 1996**

[51] LOC (6) CL **21-02**

[52] U.S. Cl. **D21/214**

[58] Field of Search **D21/214, 219;**
473/345-349, 324, 327, 328

[56] **References Cited**

U.S. PATENT DOCUMENTS

D. 318,087	7/1991	Helmstetter	D21/214
D. 354,103	1/1995	Allen	D21/214
D. 356,356	3/1995	Jacobs	D21/219
D. 364,666	11/1995	Nagy	D21/219
D. 366,919	2/1996	Jacobs	D21/219
1,541,126	6/1925	Dunn	.	
3,374,027	3/1968	Jacobs	.	

Primary Examiner—Raphael Barkai
Assistant Examiner—Mitchell I. Siegel
Attorney, Agent, or Firm—Kelly Bauersfeld Lowry &
Kelley, LLP.

[57] **CLAIM**

The ornamental design for a wood-type head for a golf club,
as shown and described.

DESCRIPTION

FIG. 1 is a perspective view showing the front, top and left
side of a wood-type head for a golf club embodying the new
design;

FIG. 2 is a front elevational view thereof;

FIG. 3 is a left side elevational view thereof;

FIG. 4 is a right side elevational view thereof;

FIG. 5 is a rear elevational view thereof;

FIG. 6 is a top plan view thereof;

FIG. 7 is a bottom plan view thereof; and,

FIG. 8 is a sectional view taken generally on the line 8—8
of FIG. 3;

FIG. 9 is a bottom plan view of a second embodiment of the
golf club head as disclosed in FIG. 1;

FIG. 10 is a left side elevational view of the embodiment of
FIG. 9; and,

FIG. 11 is a sectional view taken generally on the line
11—11 of FIG. 10.

The undisclosed sides of the second embodiment is identical
to those of the first embodiment.

The broken line showing of a fragmented shaft is for
illustrative purposes only and forms no part of the claimed
design.

1 Claim, 6 Drawing Sheets

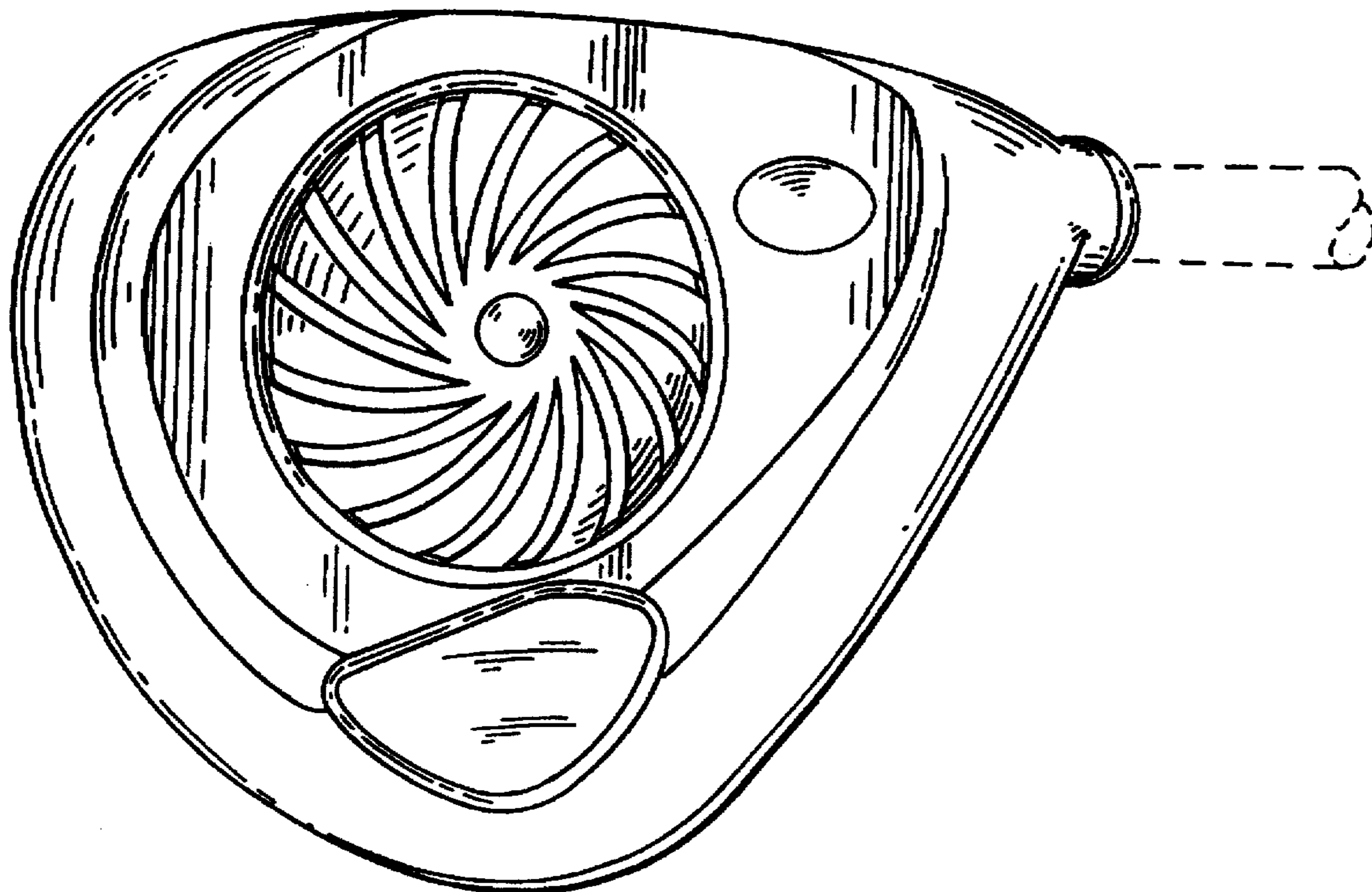


FIG. 1

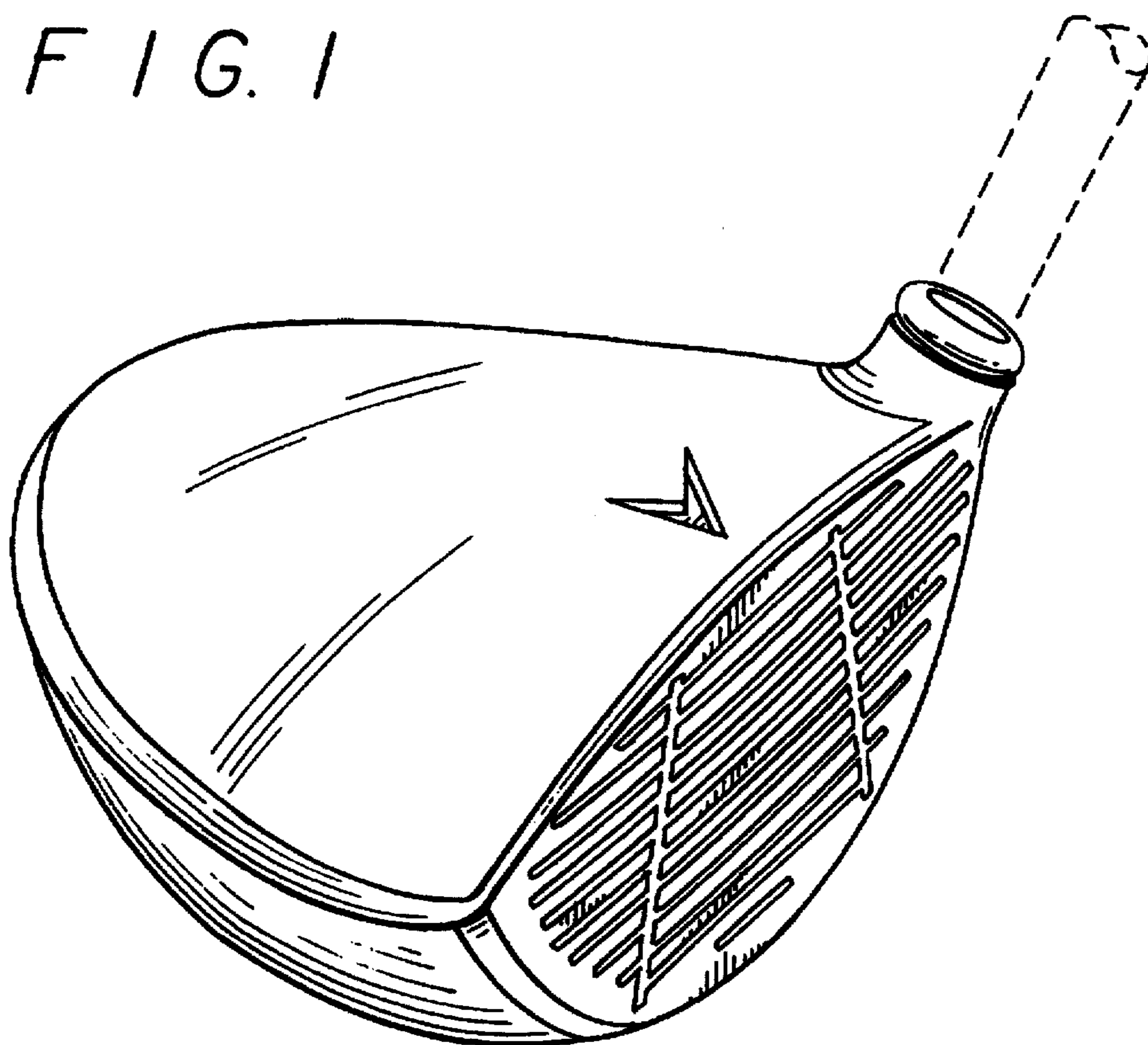


FIG. 2

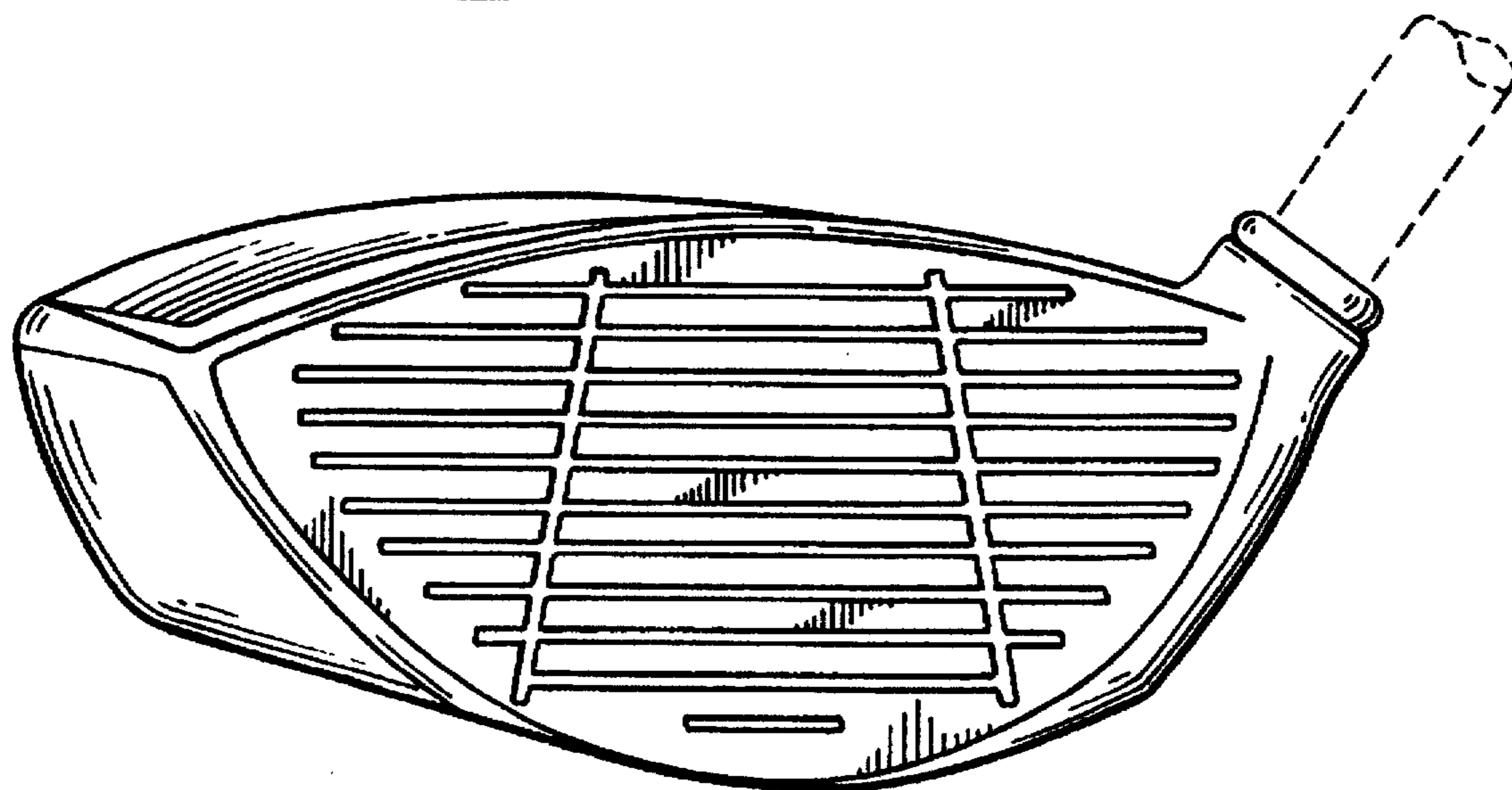


FIG. 3

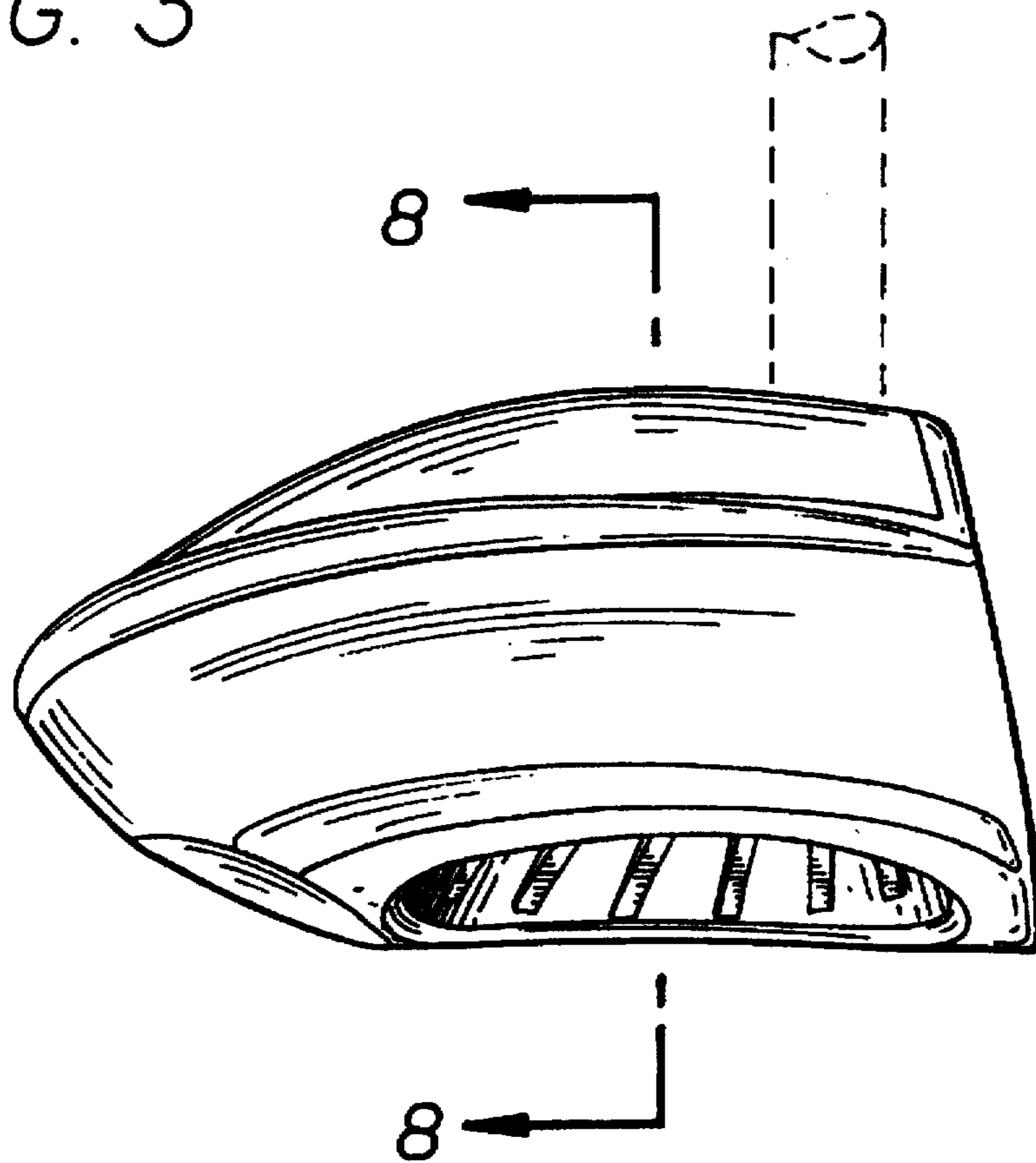


FIG. 4

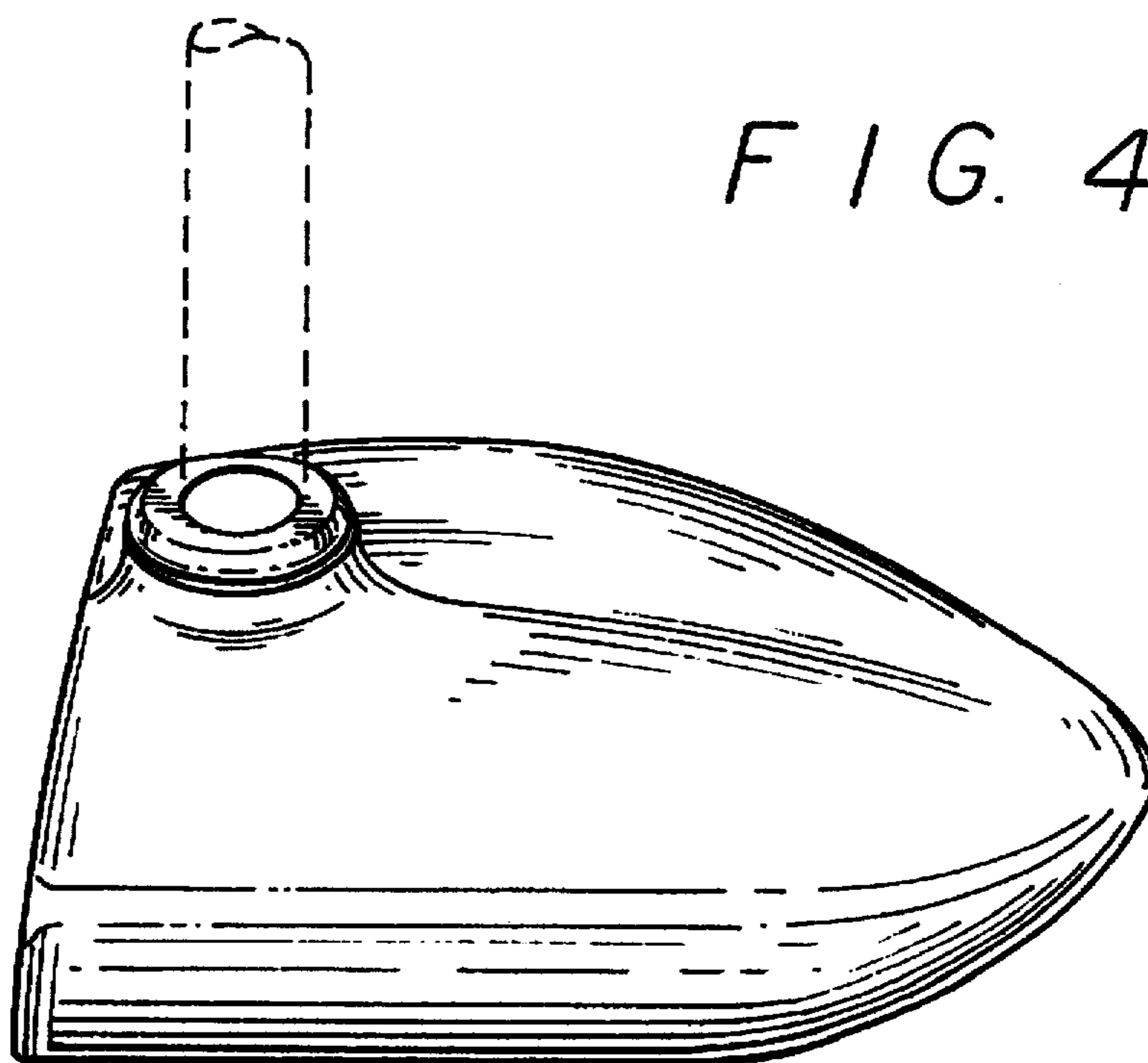


FIG. 5

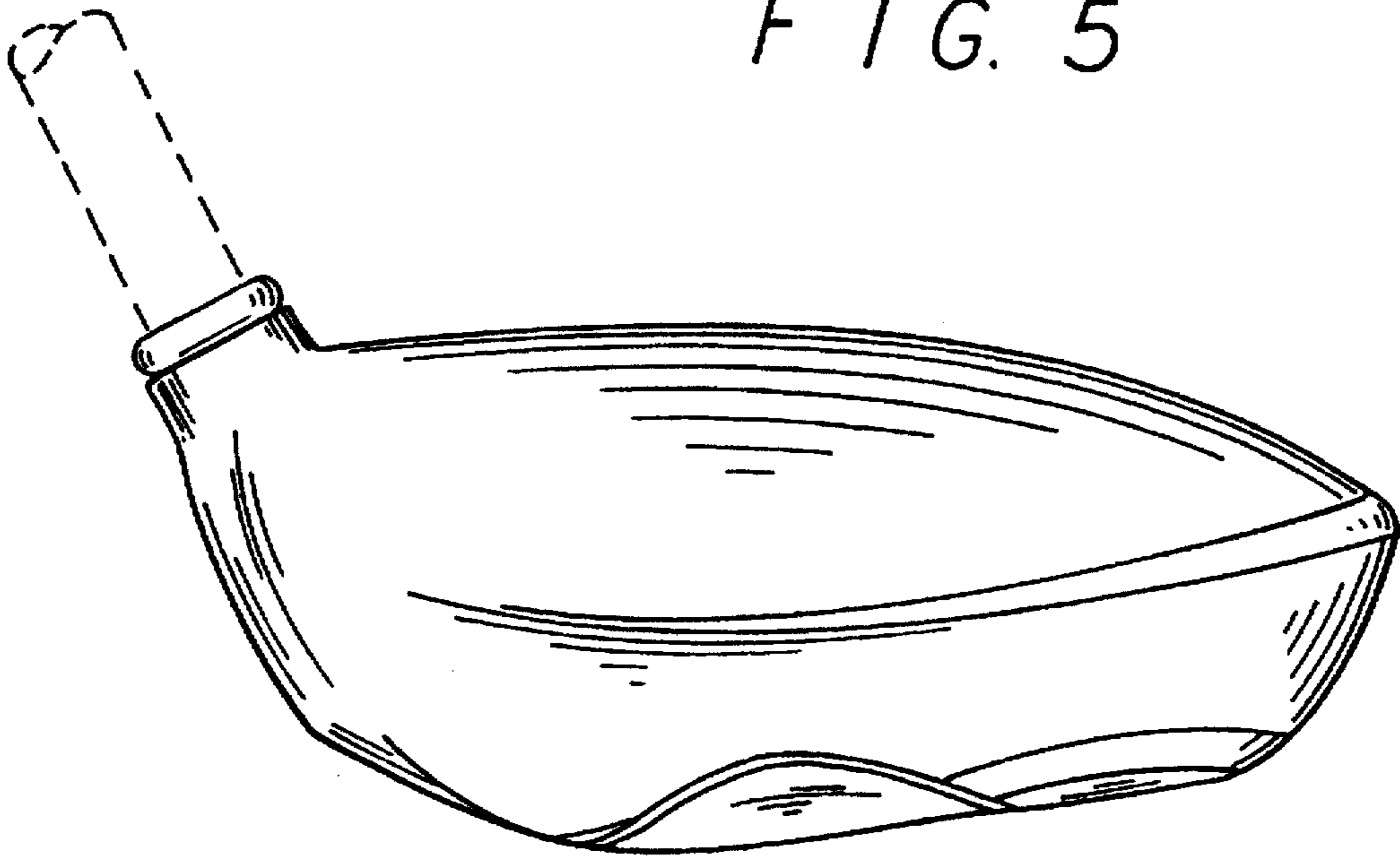
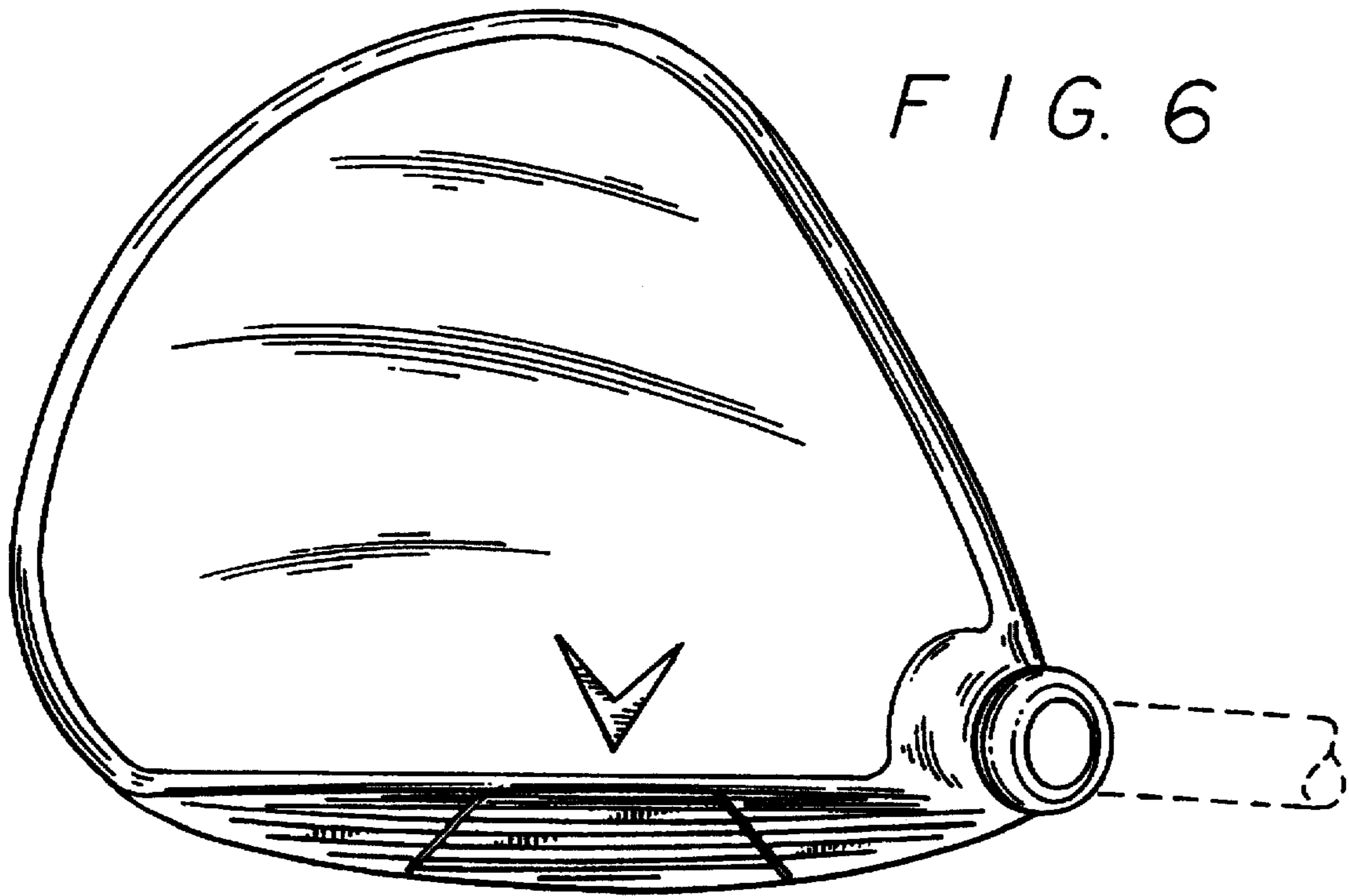


FIG. 6



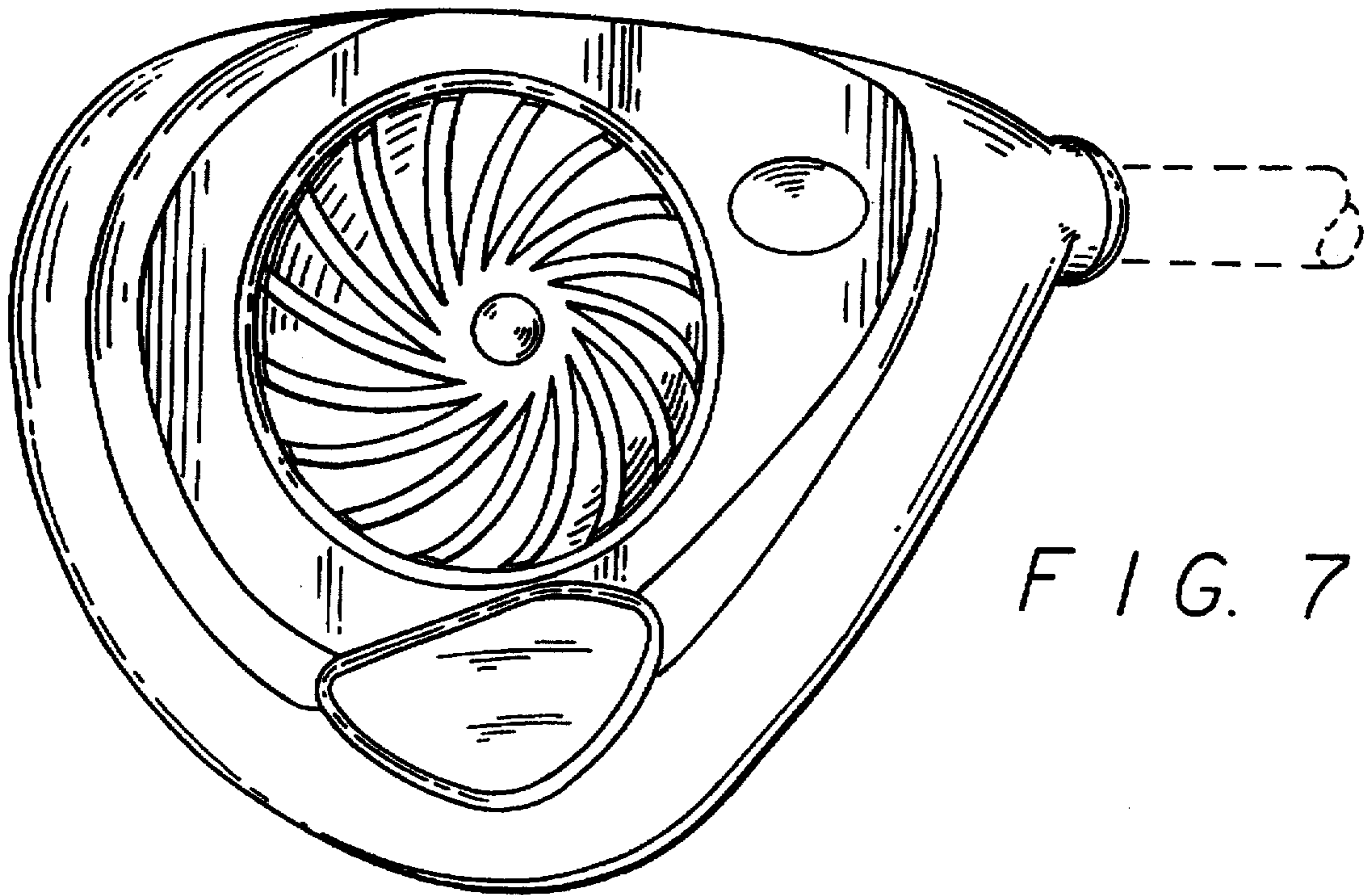
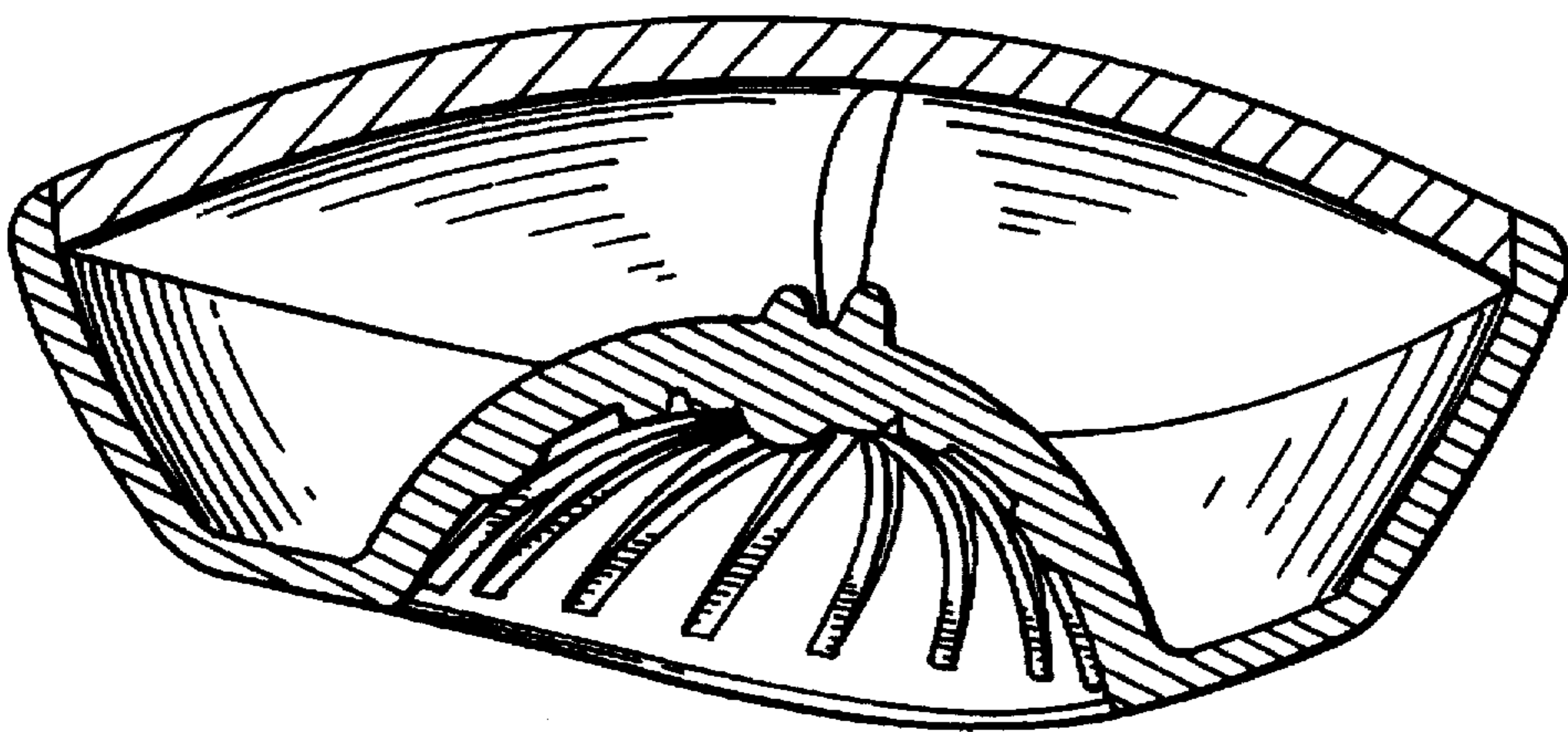


FIG. 7

FIG. 8



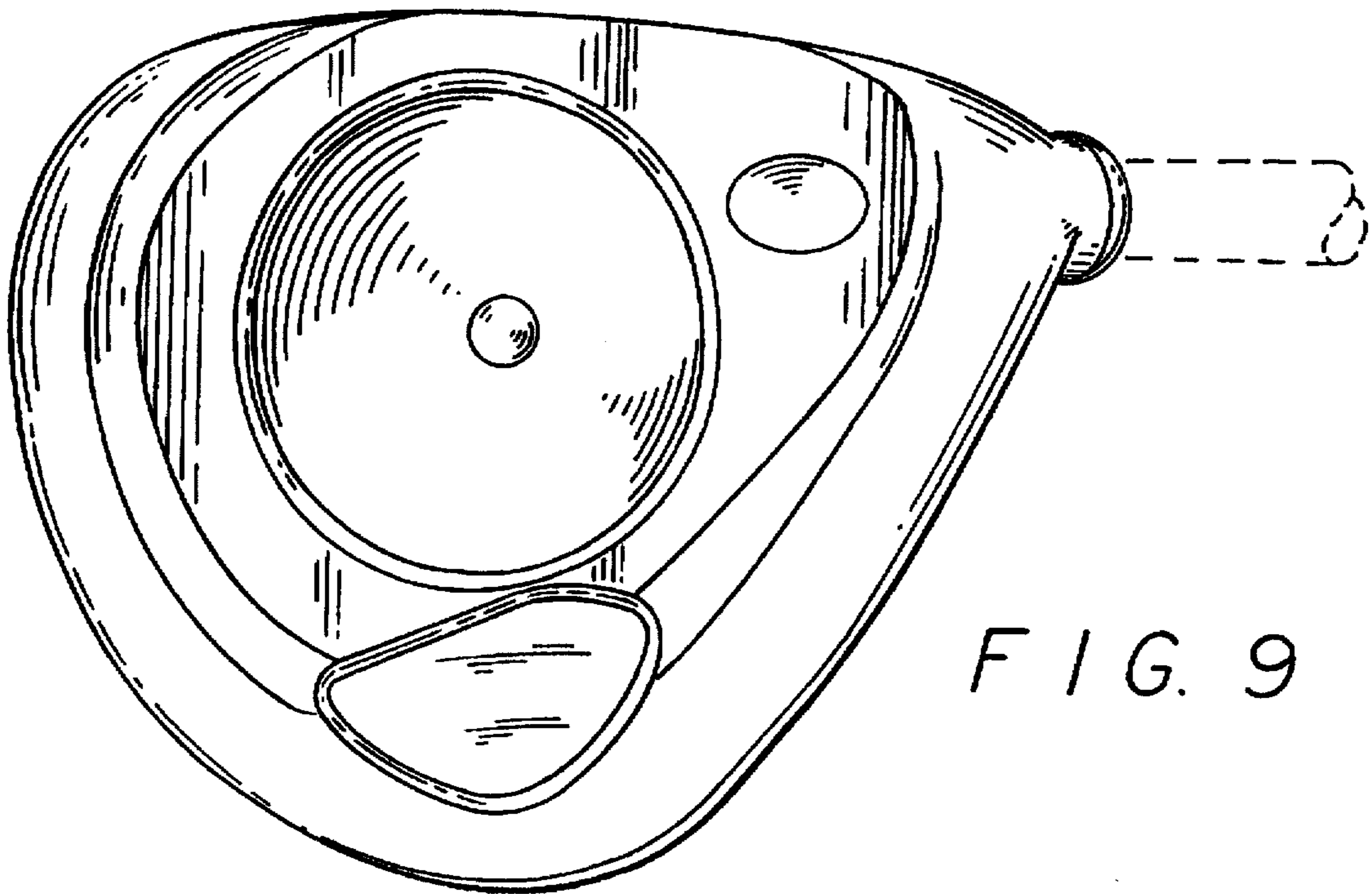


FIG. 9

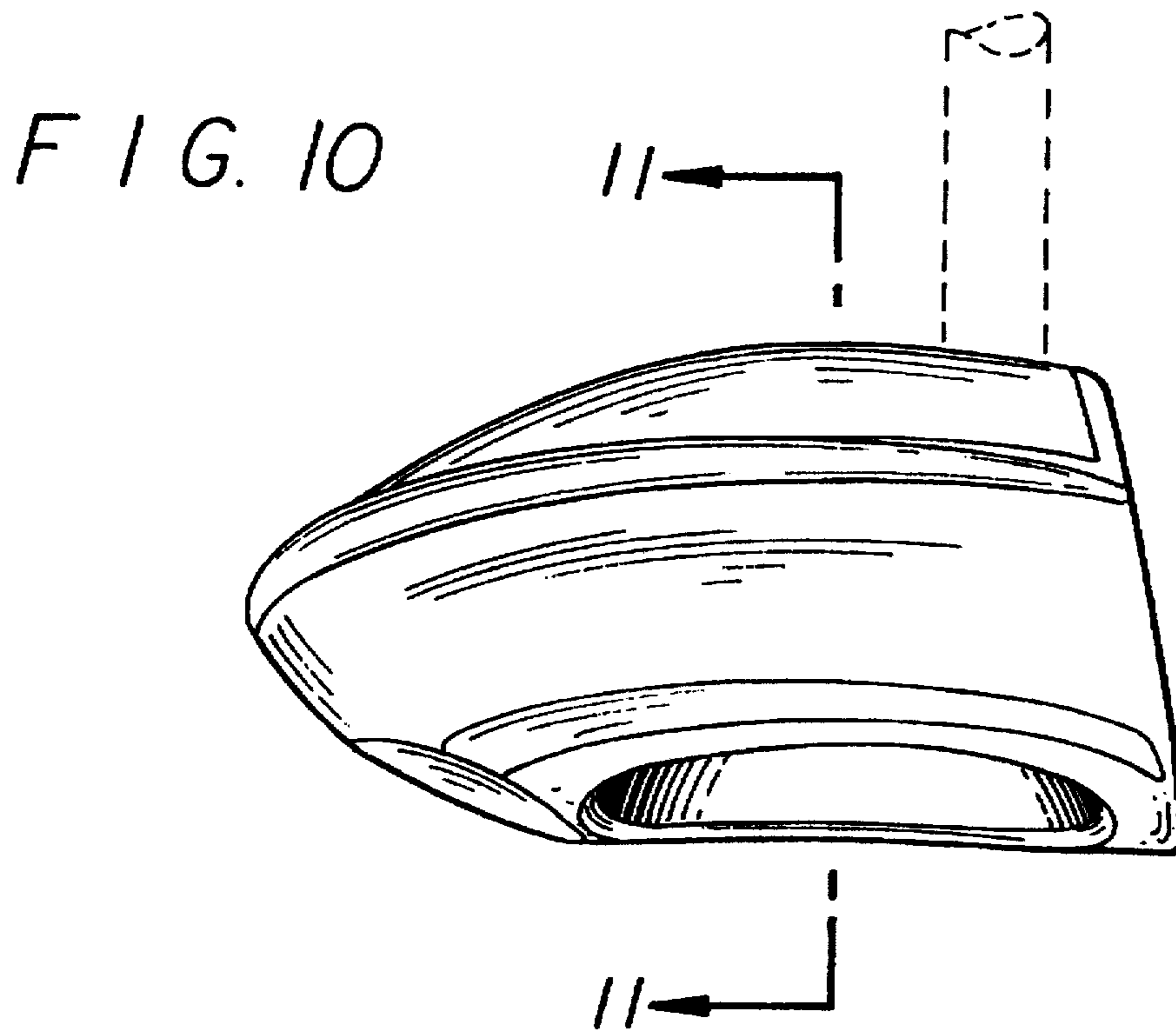


FIG. 10

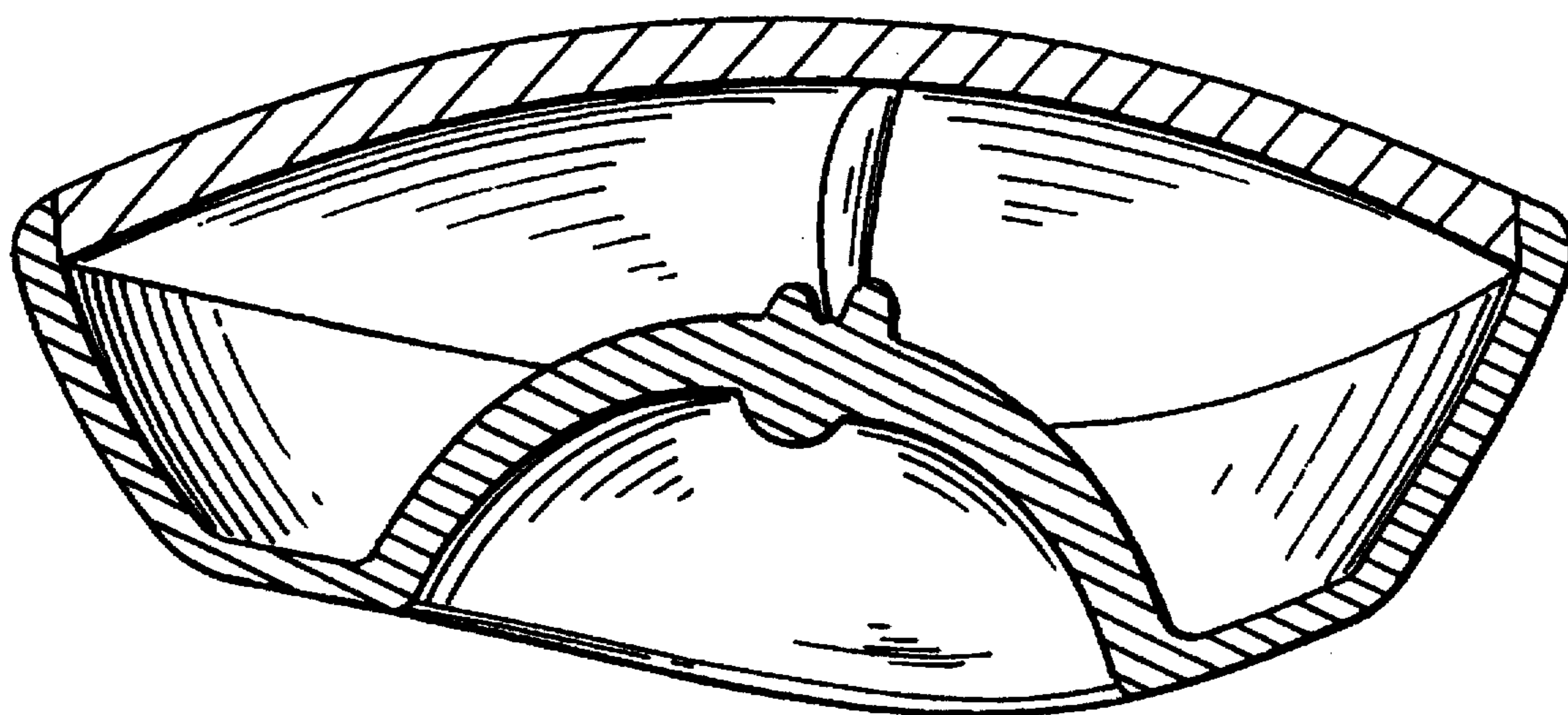


FIG. II