



US00D385000S

# United States Patent [19] Reeder

[11] Patent Number: **Des. 385,000**

[45] Date of Patent: **\*\*Oct. 14, 1997**

[54] **BARBELL SUPPORT**

5,180,131 1/1993 Few ..... D34/31  
5,346,448 9/1994 Sollo ..... 482/99

[76] Inventor: **Philip W. Reeder, Rte. 1, Box 598,  
Slocomb, Ala. 36375**

*Primary Examiner—Philip S. Hyder  
Attorney, Agent, or Firm—Longacre & White*

[\*\*] Term: **14 Years**

[57] **CLAIM**

[21] Appl. No.: **52,334**

The ornamental design for a barbell support, as shown and described.

[22] Filed: **Mar. 27, 1996**

### DESCRIPTION

[51] LOC (6) Cl. .... **21-02**

[52] U.S. Cl. .... **D21/191**

[58] Field of Search ..... D21/191, 195;  
D6/495, 498, 499; 248/125, 188.91, 188.8;  
482/93, 94, 104, 106, 130; D34/31

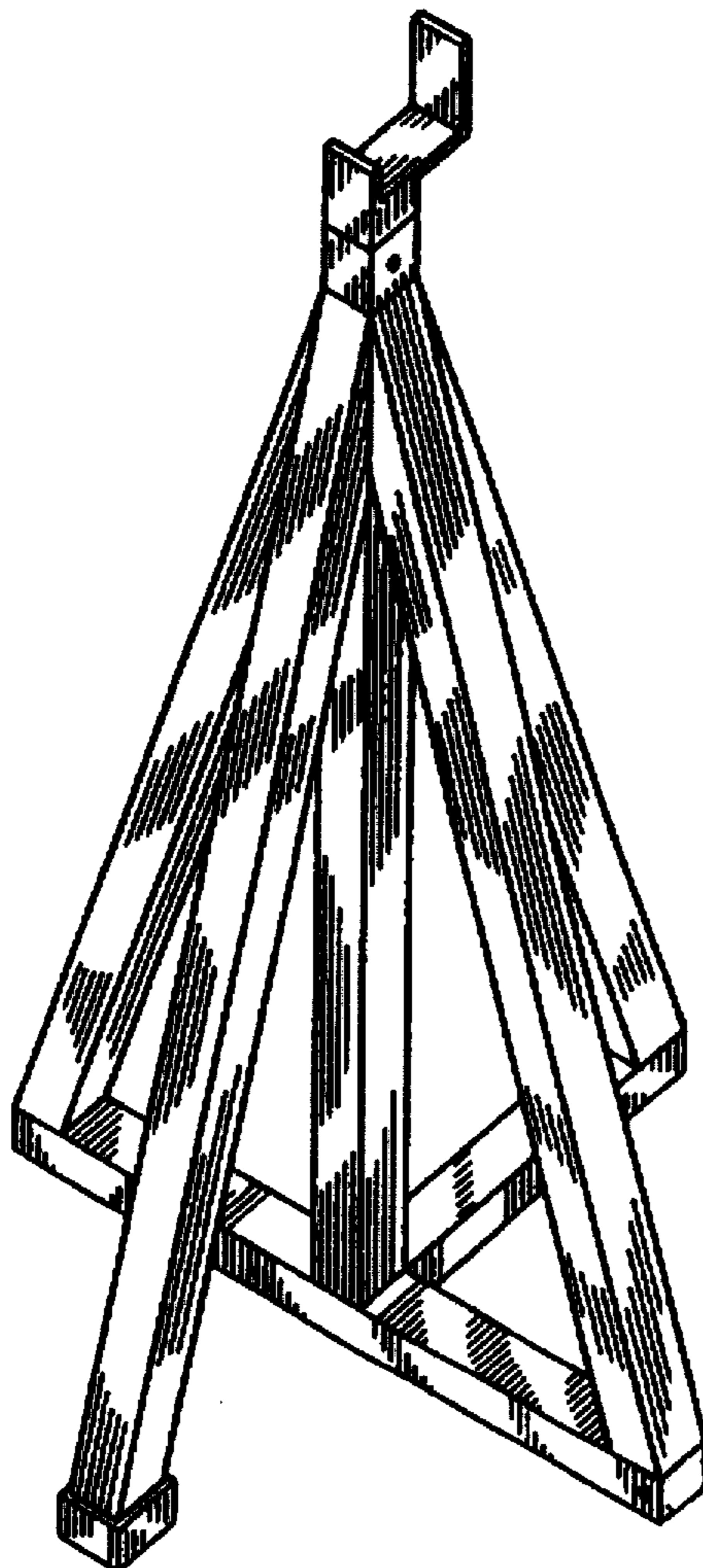
FIG. 1 is a perspective view of the barbell support according to the present invention;  
FIG. 2 is a front elevational view of the barbell support as shown in FIG. 1;  
FIG. 3 is a rear elevational view of the barbell support as shown in FIG. 1;  
FIG. 4 is a right side elevational view of the barbell support as shown in FIG. 1;  
FIG. 5 is a left side elevational view of the barbell support as shown in FIG. 1;  
FIG. 6 is a top elevational view of the barbell support as shown in FIG. 1; and,  
FIG. 7 is a bottom elevational view of the barbell support as shown in FIG. 1.

### [56] References Cited

#### U.S. PATENT DOCUMENTS

D. 215,746	10/1969	Hunnicut	.....	D34/31
D. 240,517	7/1976	Miller	.....	D34/31
D. 242,613	12/1976	Prather	.....	D34/31
D. 356,351	3/1995	Watts	.....	D21/191
4,201,380	5/1980	Birch	.....	482/104
4,637,608	1/1987	Owens et al.	.....	482/104
4,711,449	12/1987	Ochab	.....	482/104

**1 Claim, 4 Drawing Sheets**



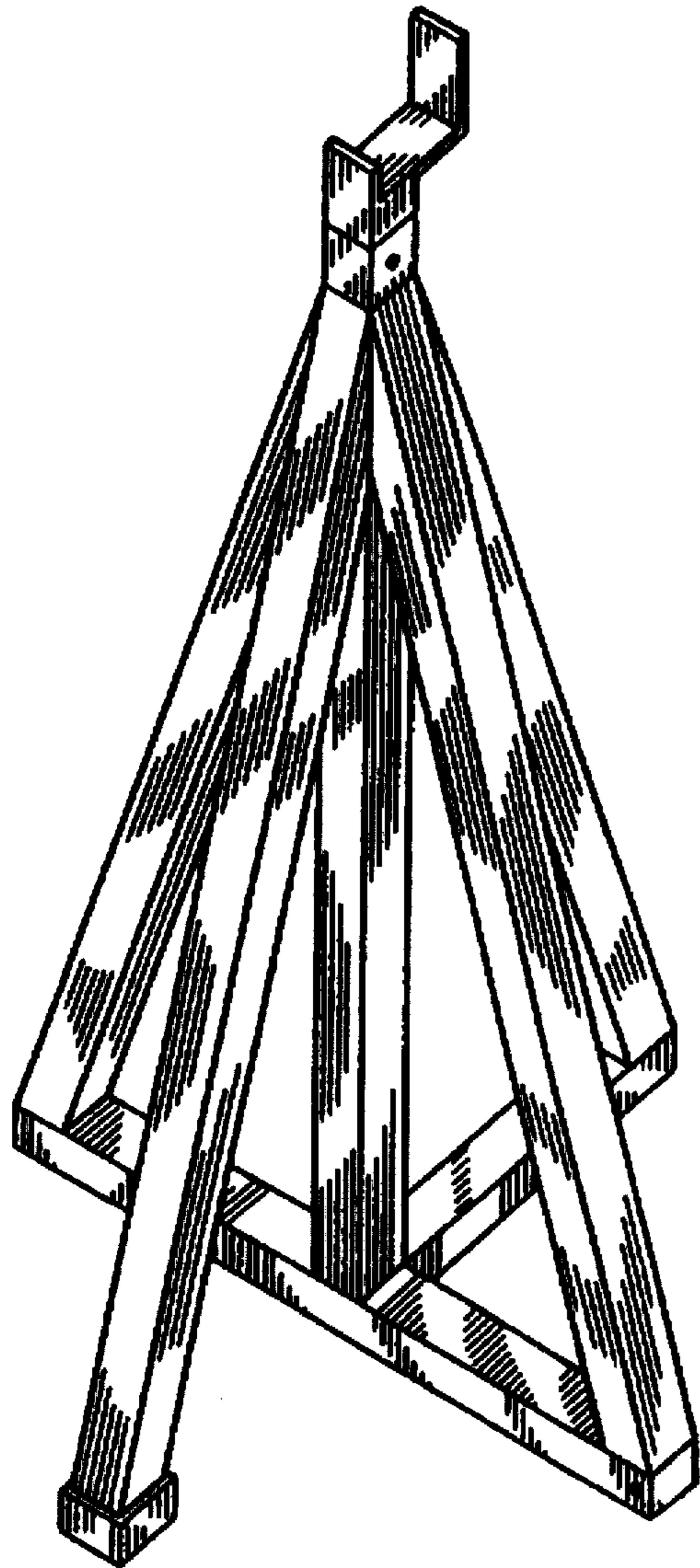


FIG. 1

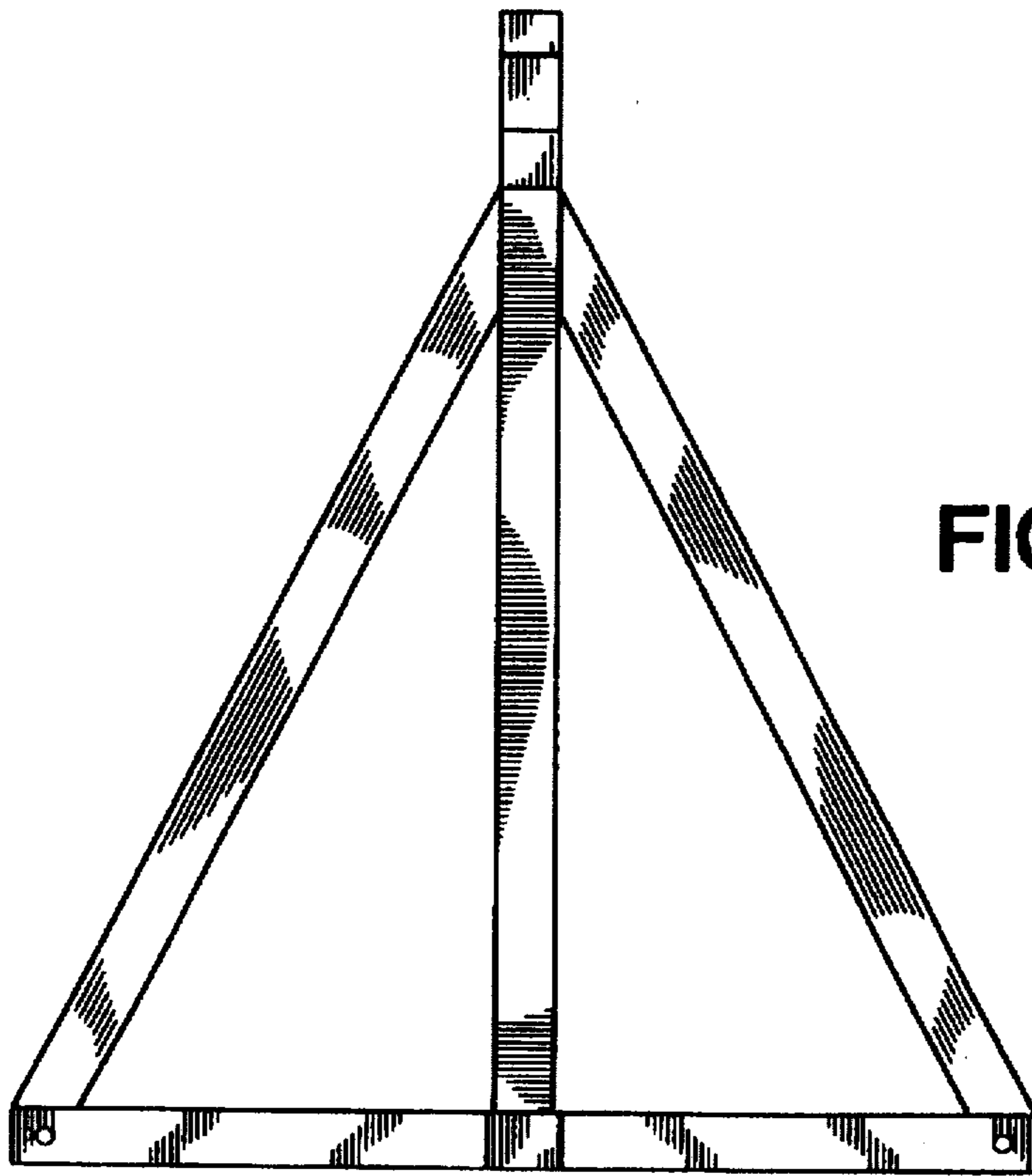


FIG. 2

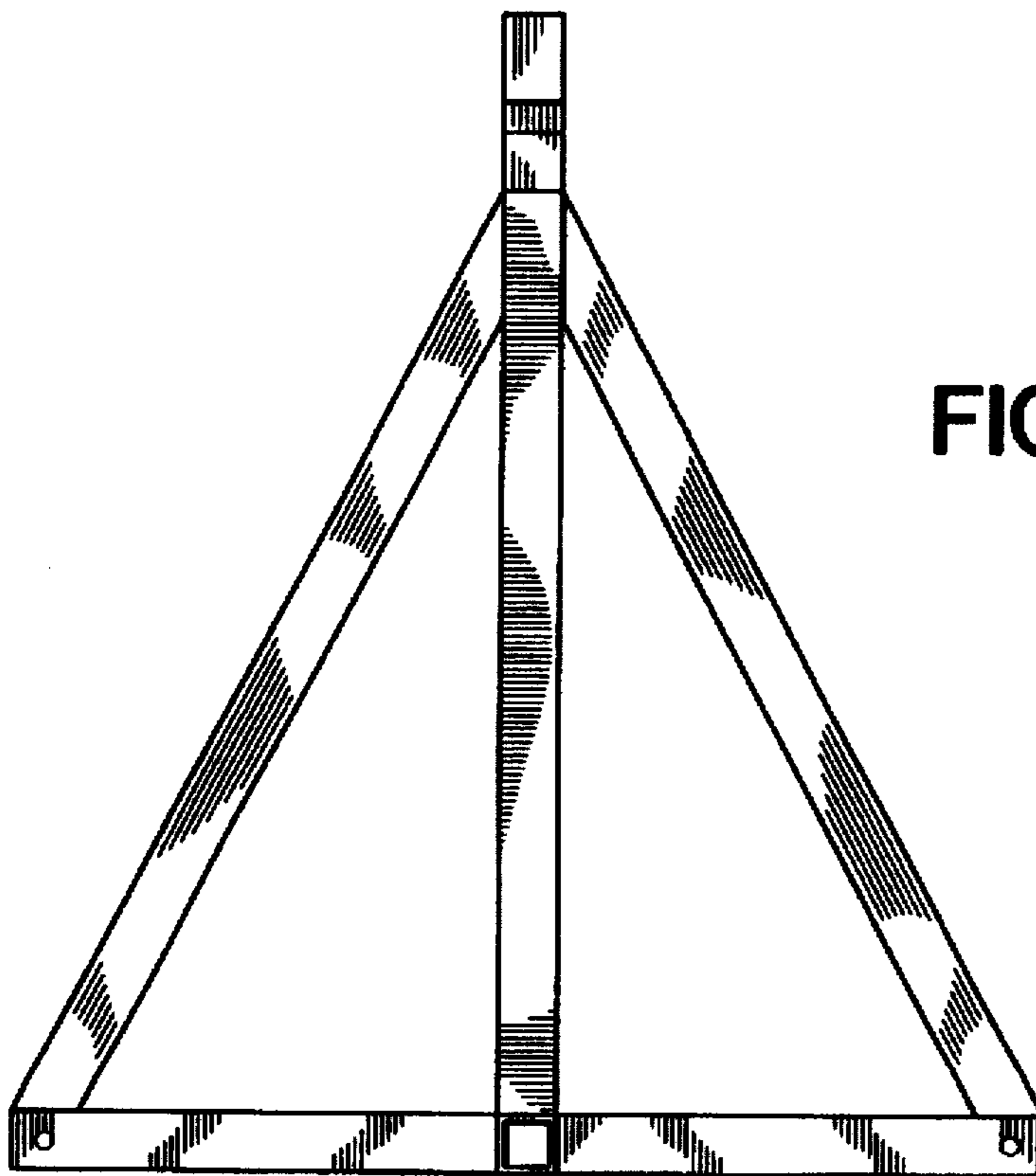


FIG. 3

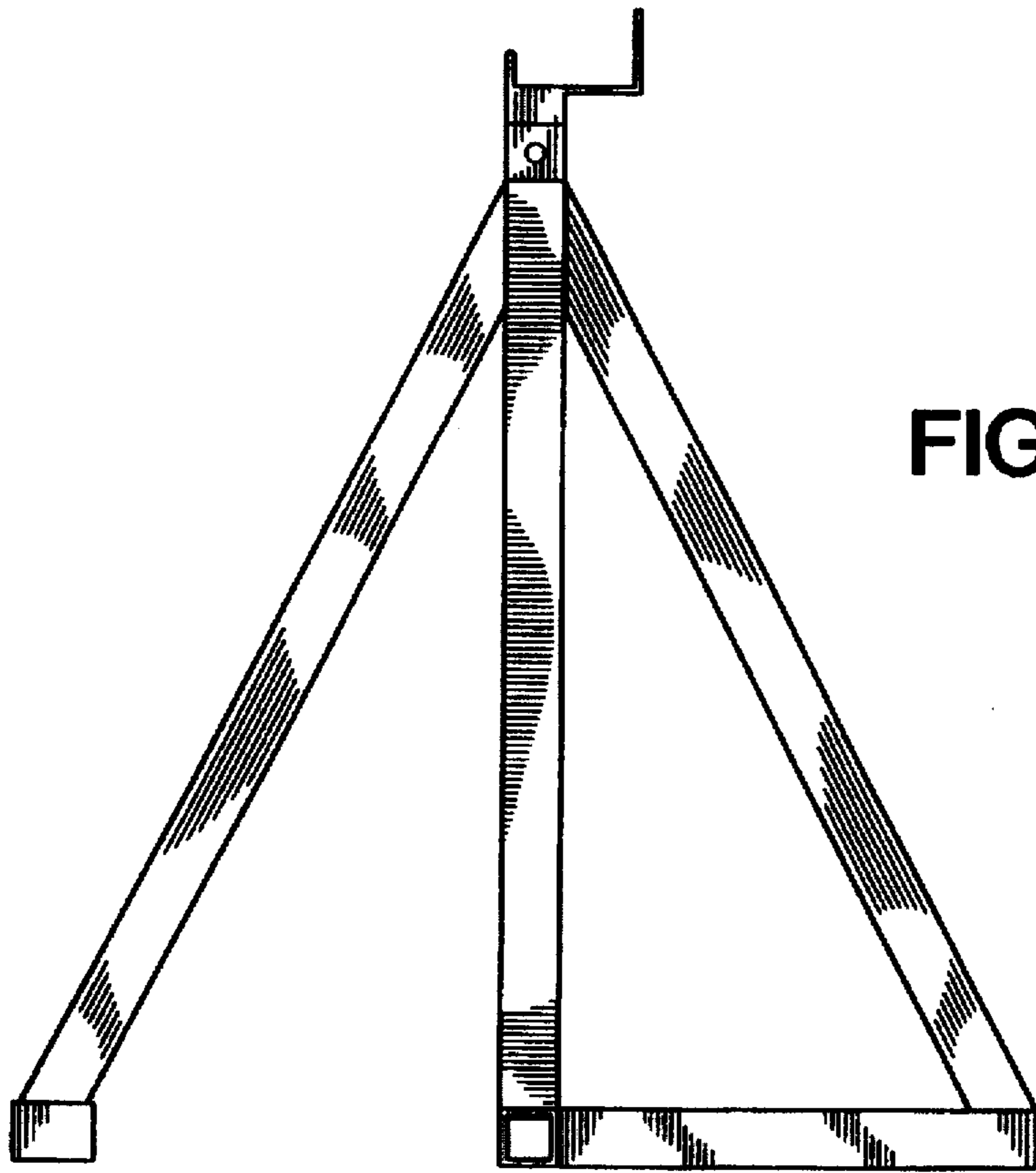


FIG. 4

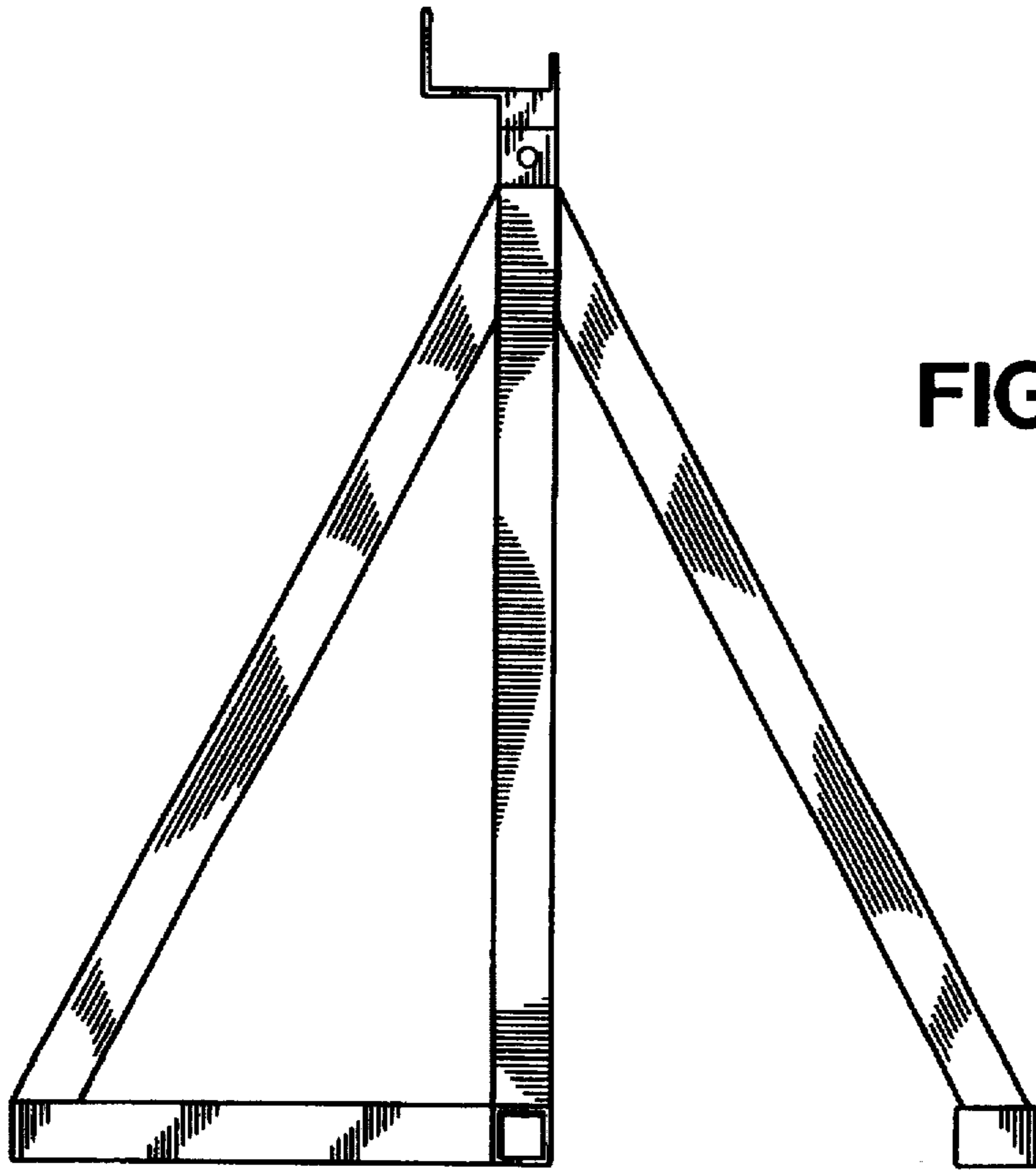


FIG. 5

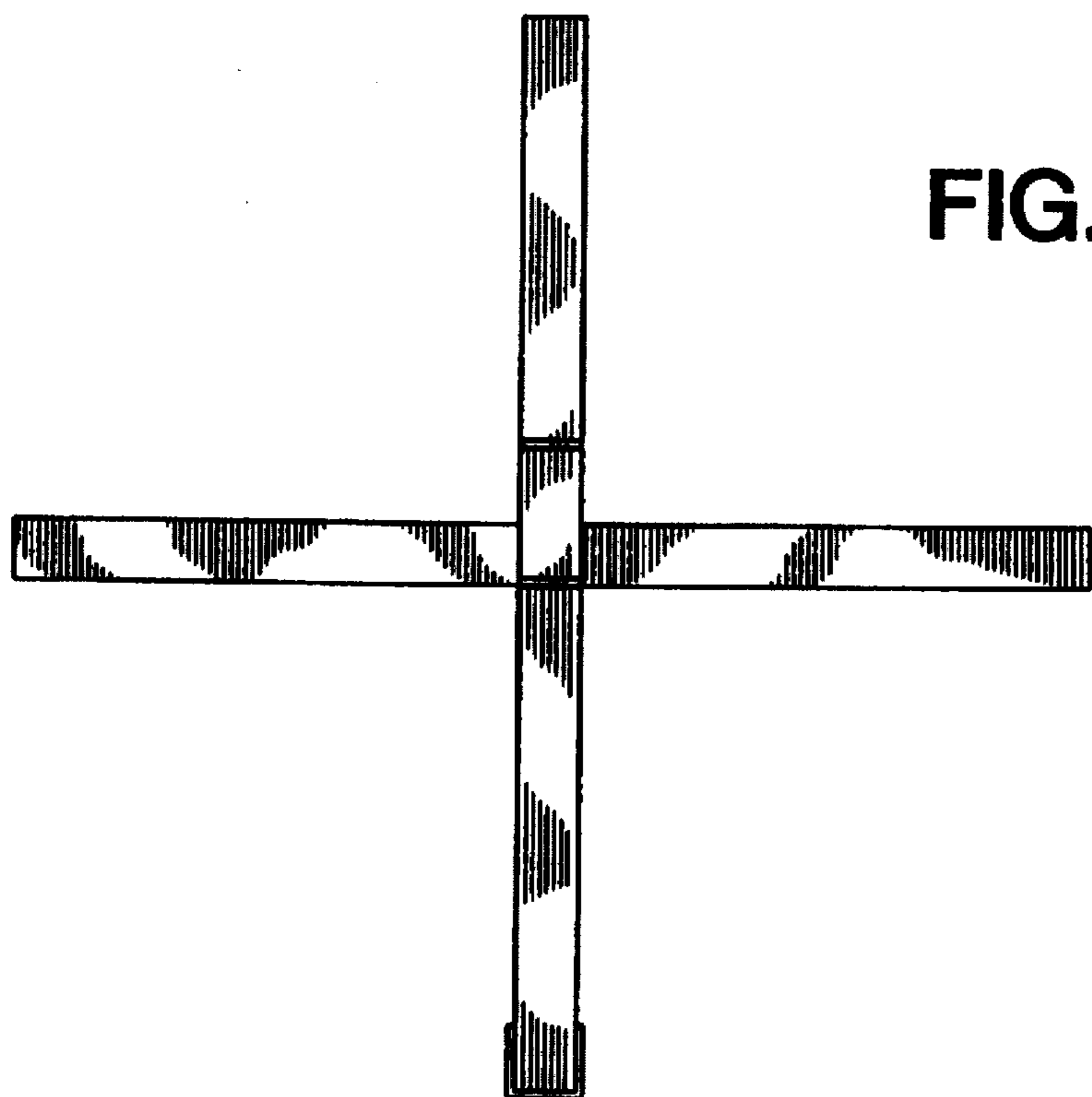


FIG. 6

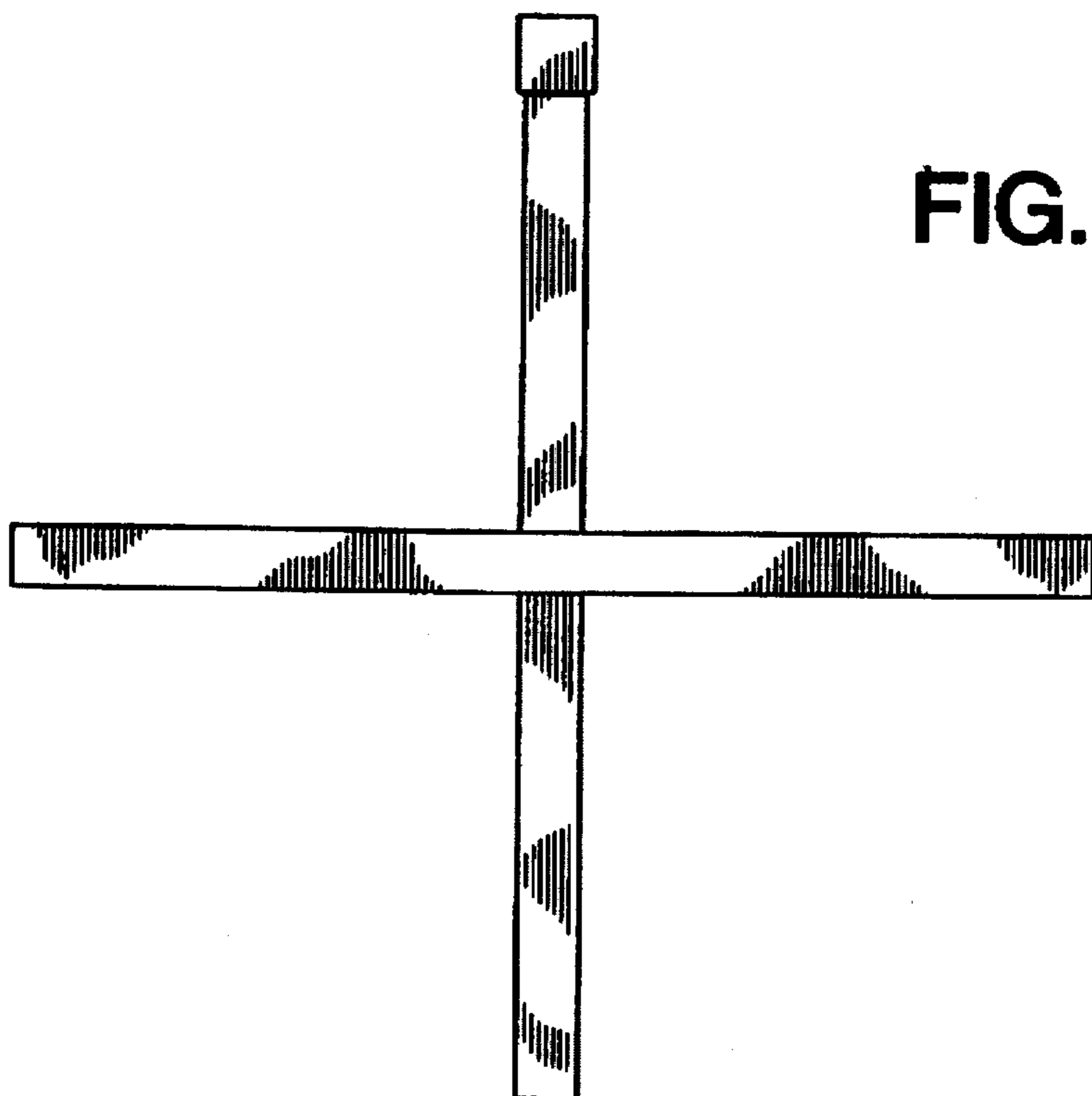


FIG. 7