



US00D384998S

United States Patent [19]

[11] Patent Number: **Des. 384,998**

Høst

[45] Date of Patent: ****Oct. 14, 1997**

[54] **TOY TRUCK**

4,349,984 9/1982 Goldfarb et al. 446/93

[75] Inventor: **Henrik Høst**, Roskilde, Denmark

4,993,983 2/1991 Kurita et al. 446/93

[73] Assignee: **Interlego AG**, Baar, Switzerland

5,380,232 1/1995 Berggreen et al. 446/128

[**] Term: **14 Years**

OTHER PUBLICATIONS

Constructive Playthings, '92, p. 8, Truck at top left of page.

[21] Appl. No.: **59,855**

Primary Examiner—Raphael Barkai

[22] Filed: **Sep. 17, 1996**

Attorney, Agent, or Firm—Kane, Dalsimer, Sullivan, Kurucz, Levy, Eisele and Richard, LLP

[51] LOC (6) Cl. **21-01**

[52] U.S. Cl. **D21/134; D21/108**

[58] Field of Search D21/108, 78, 128, D21/131, 132, 134, 139, 140, 141; 446/85, 88, 93, 102, 104, 108-111, 119-121, 124-126, 128, 465, 470, 451, 468

[57] CLAIM

The ornamental design for a toy truck, as shown and described.

[56] References Cited

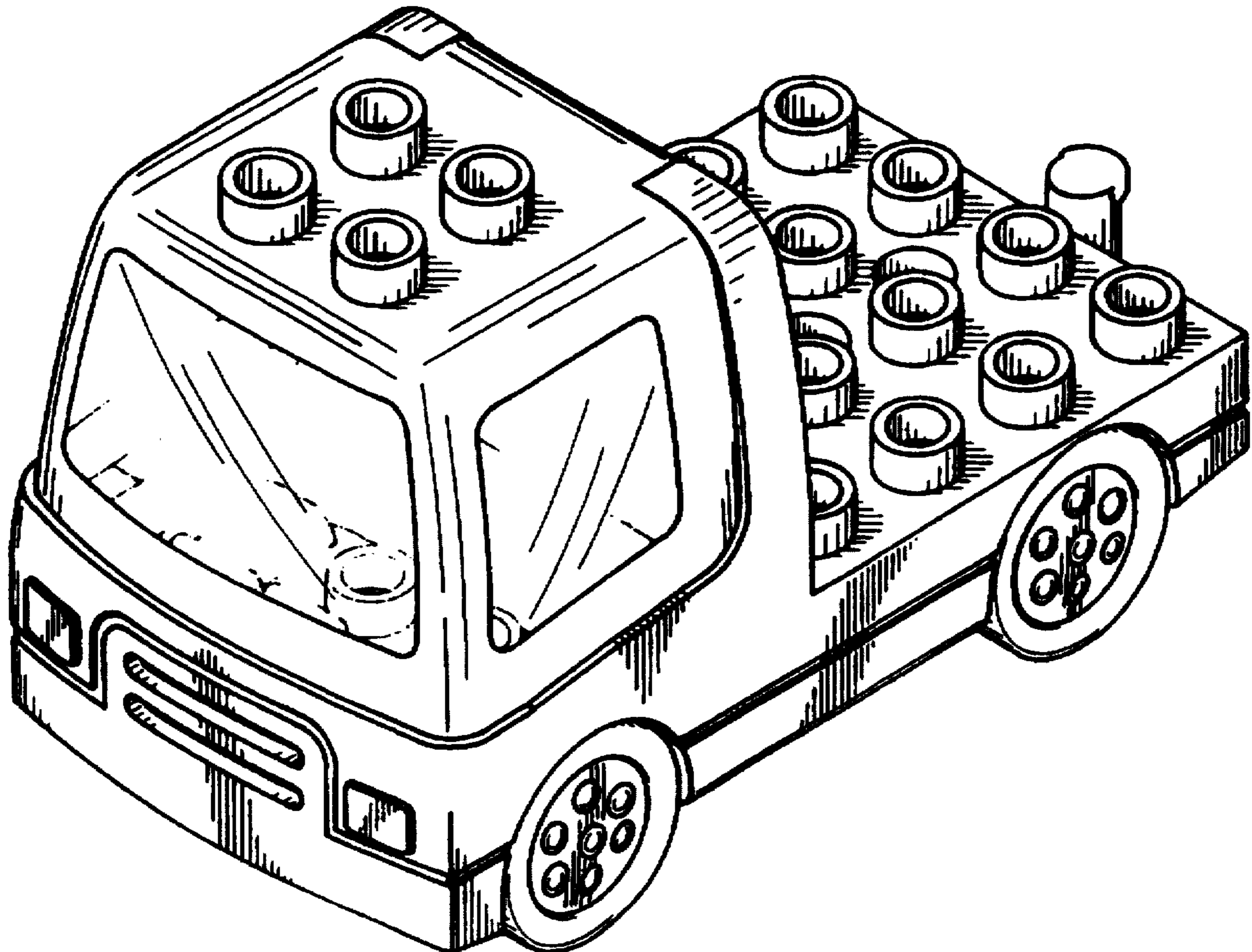
U.S. PATENT DOCUMENTS

D. 312,488	11/1990	Kwan	D21/134
D. 314,998	2/1991	Berggren	D21/134
D. 346,629	5/1994	Ruszkai	D21/108
D. 351,630	10/1994	Jensen et al.	D21/134
3,553,887	1/1971	Linstead	446/471

DESCRIPTION

FIG. 1 is a top perspective view of the toy truck; FIG. 2 is a bottom perspective view thereof; FIG. 3 is a front elevational view thereof; FIG. 4 is a left side elevational view thereof; FIG. 5 is a right side elevational view thereof; FIG. 6 is a rear elevational view thereof; FIG. 7 is a bottom plan view thereof; and, FIG. 8 is a top plan view thereof.

1 Claim, 5 Drawing Sheets



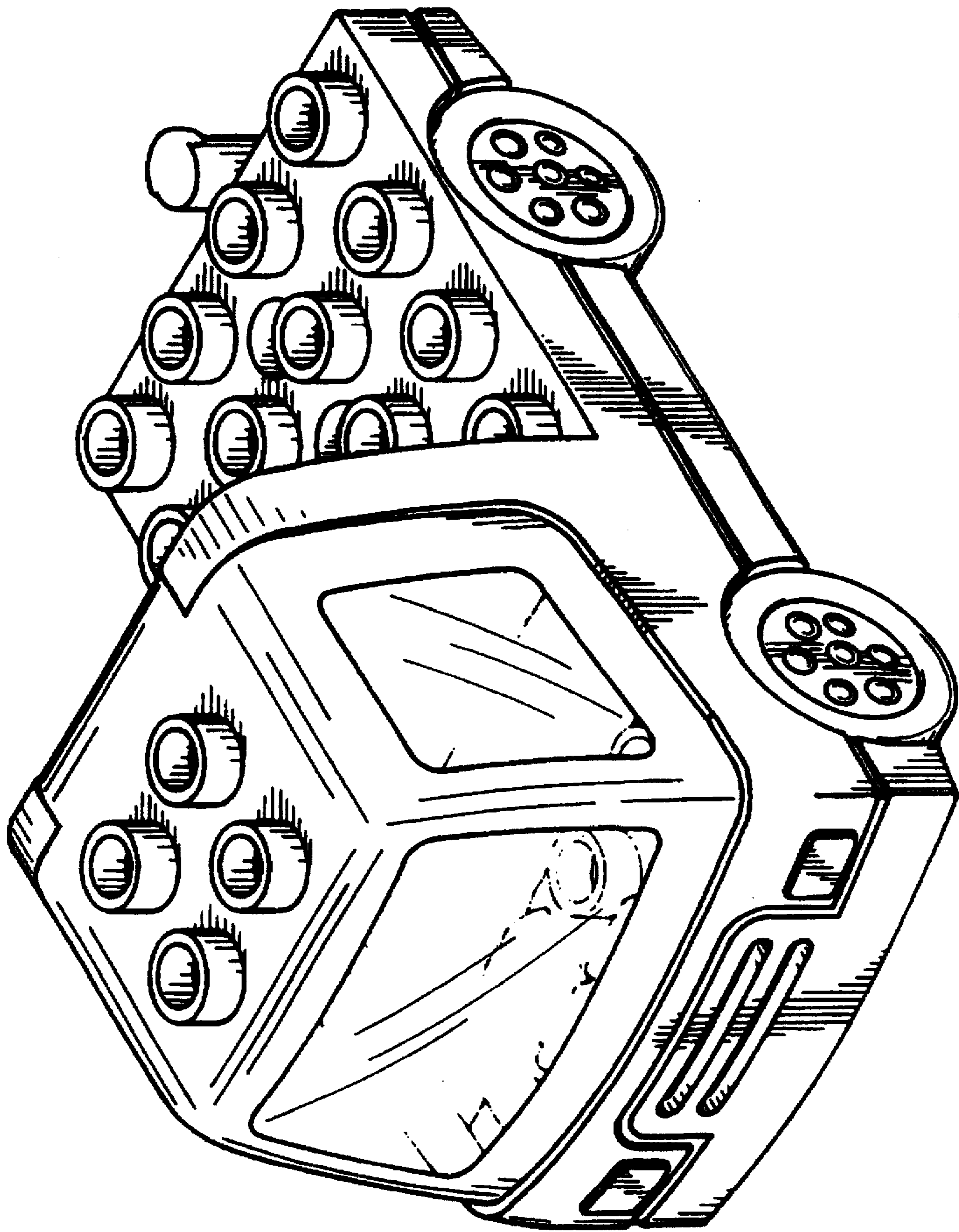


FIG. 1

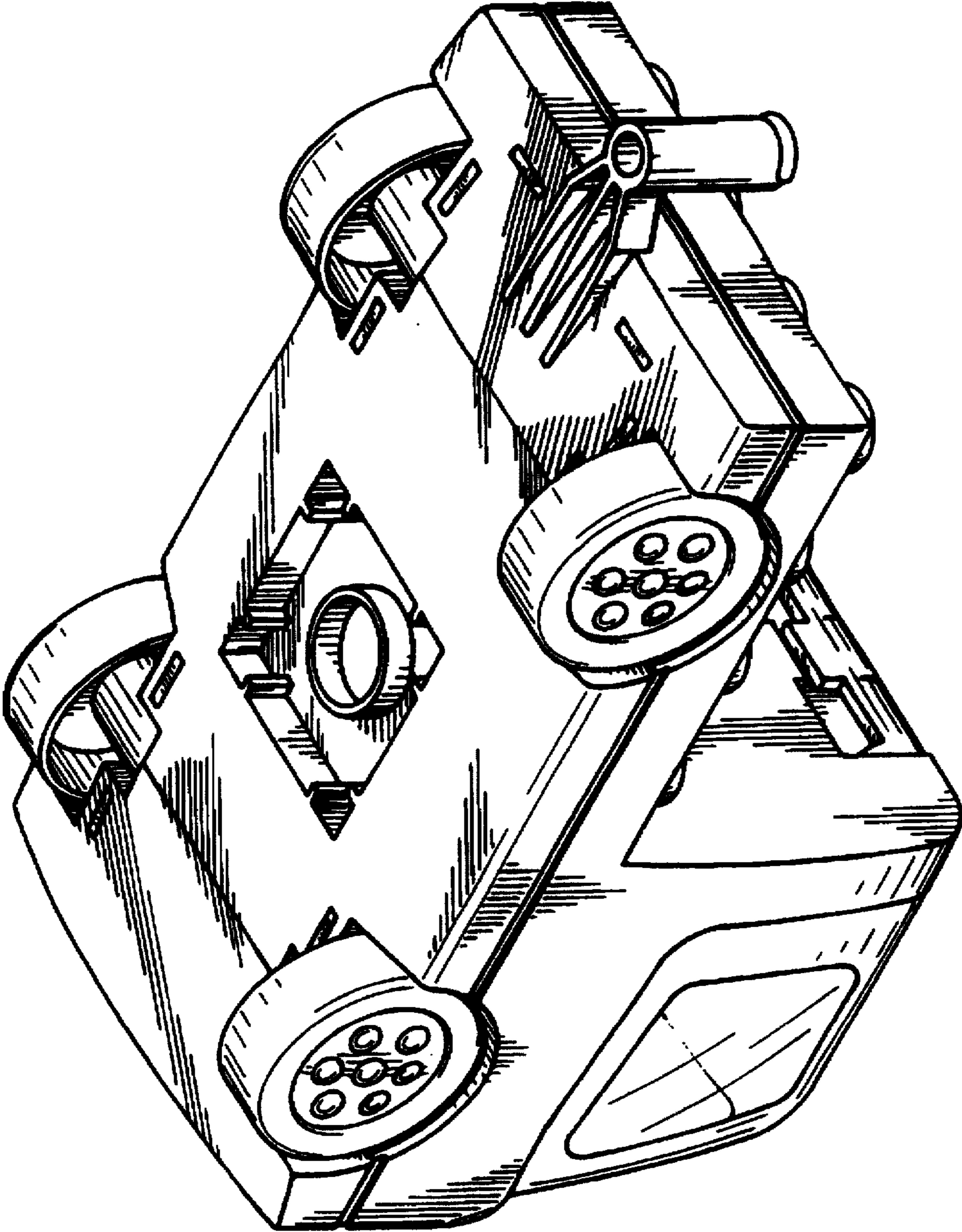


FIG. 2

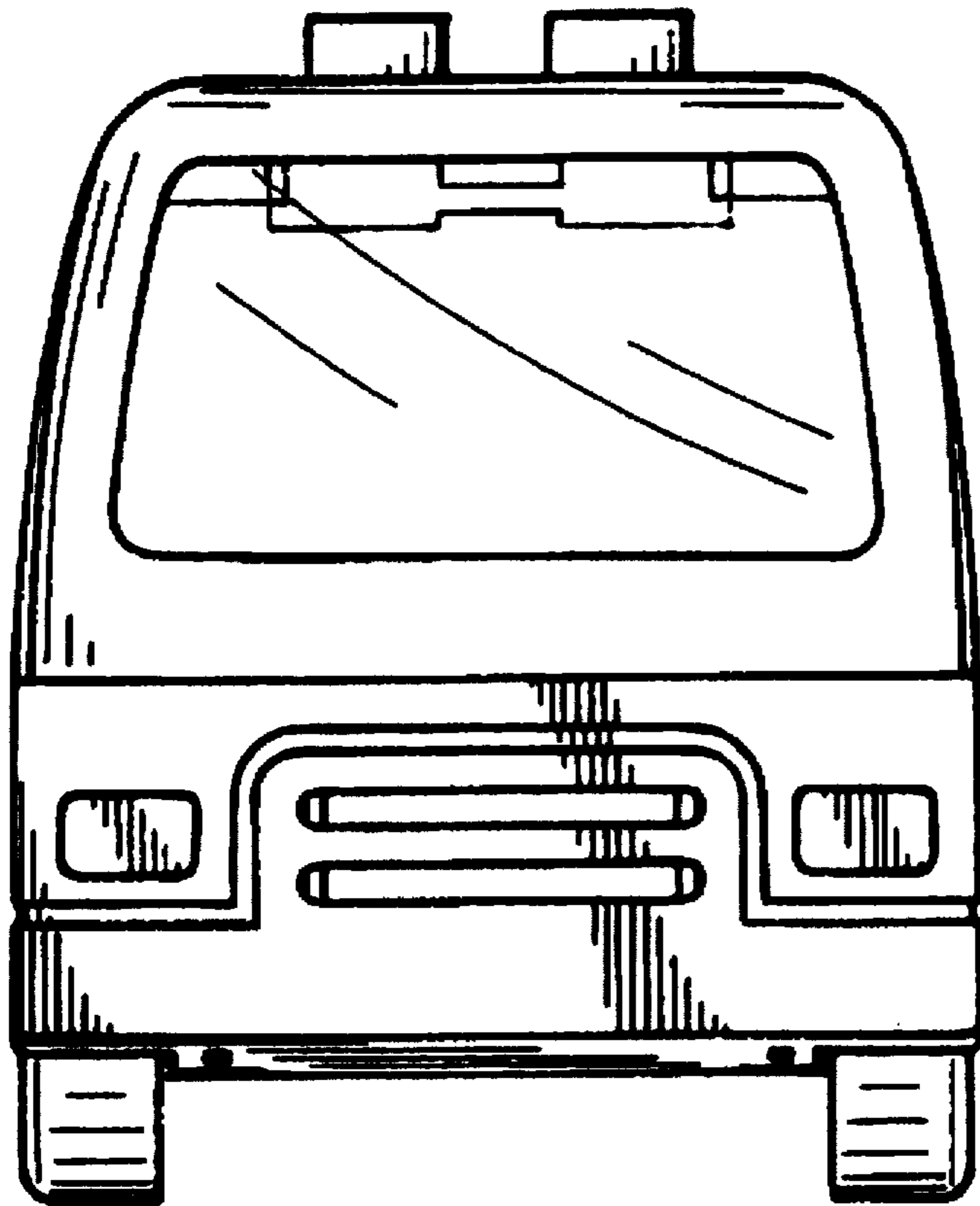


FIG. 3

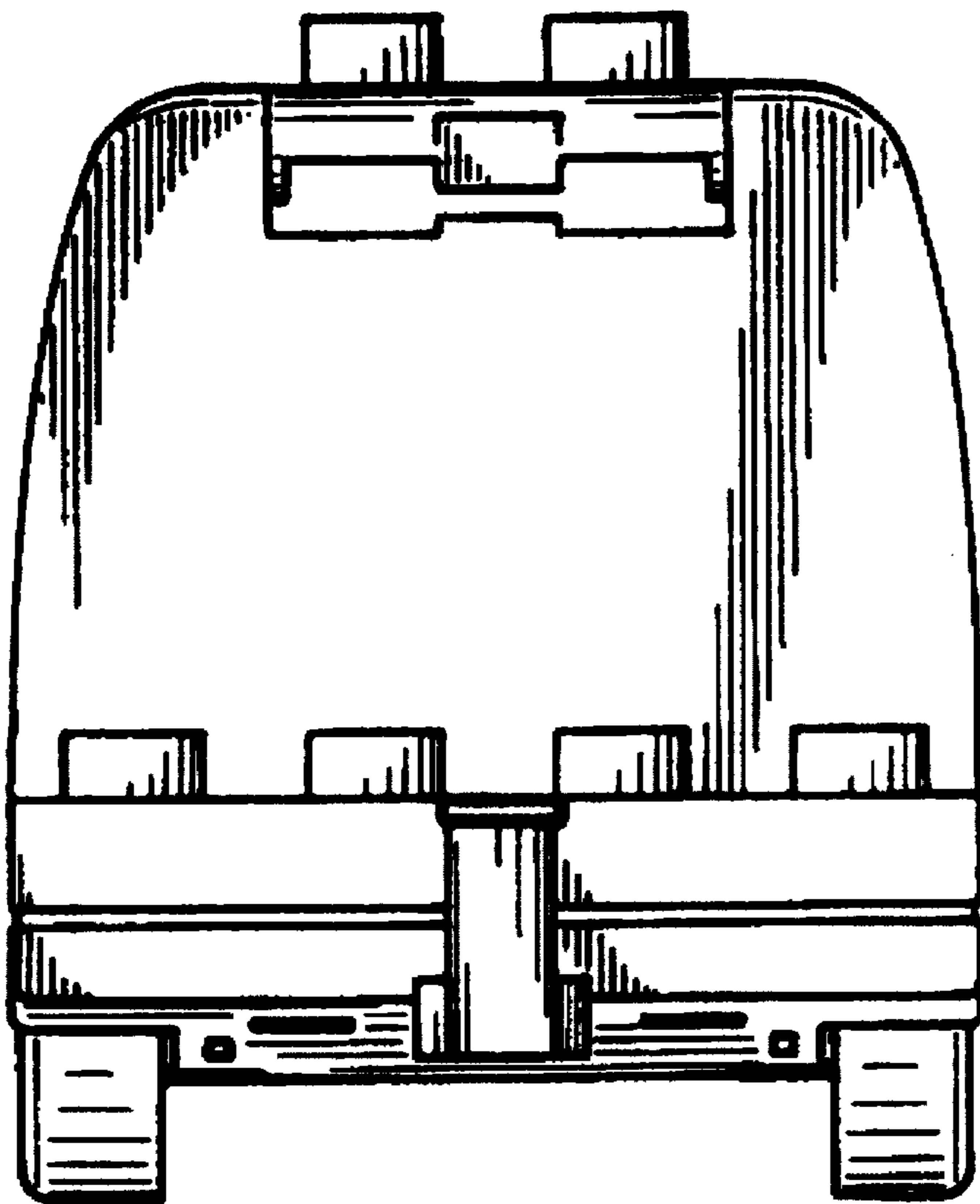


FIG. 6

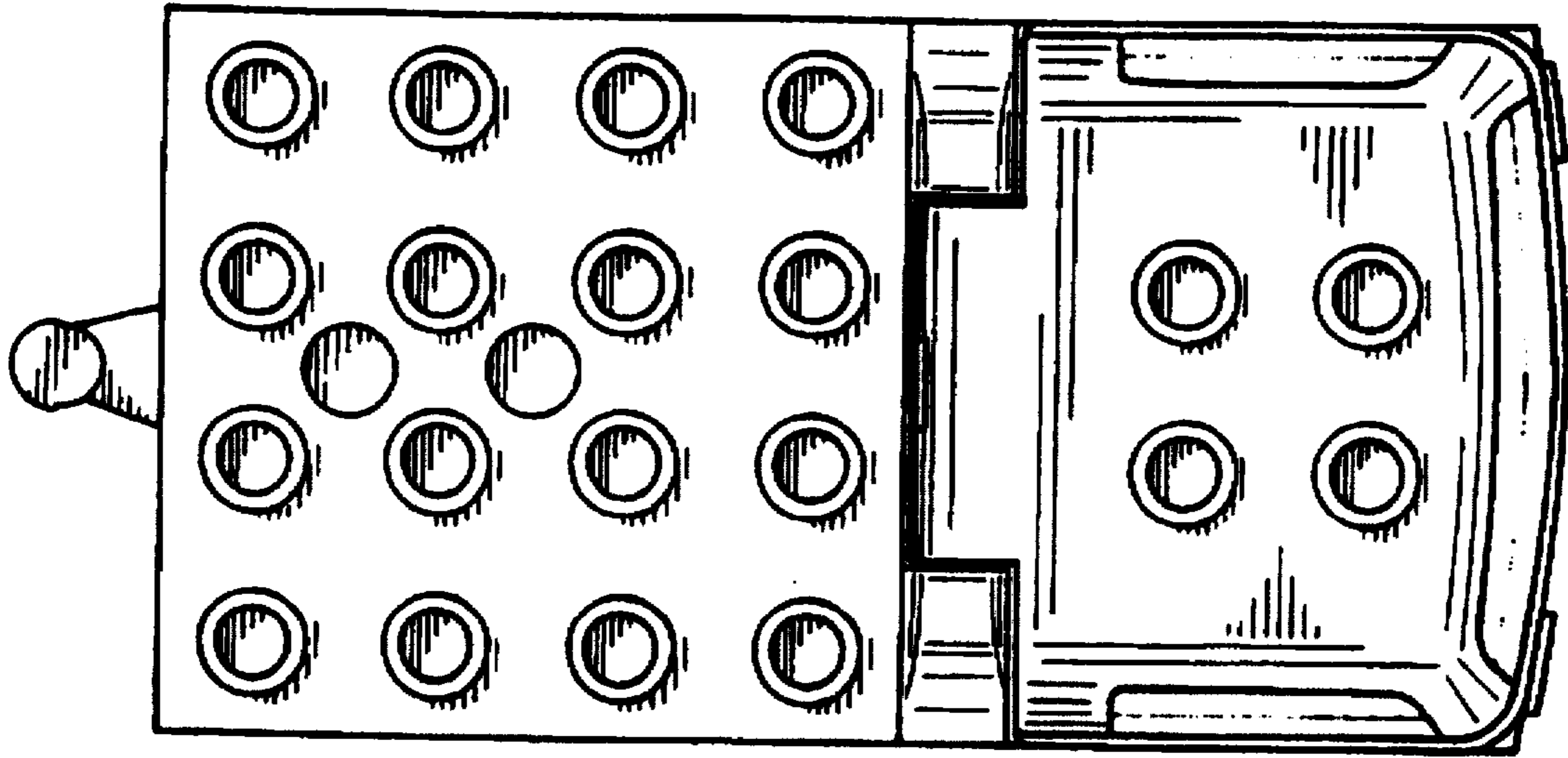


FIG. 8

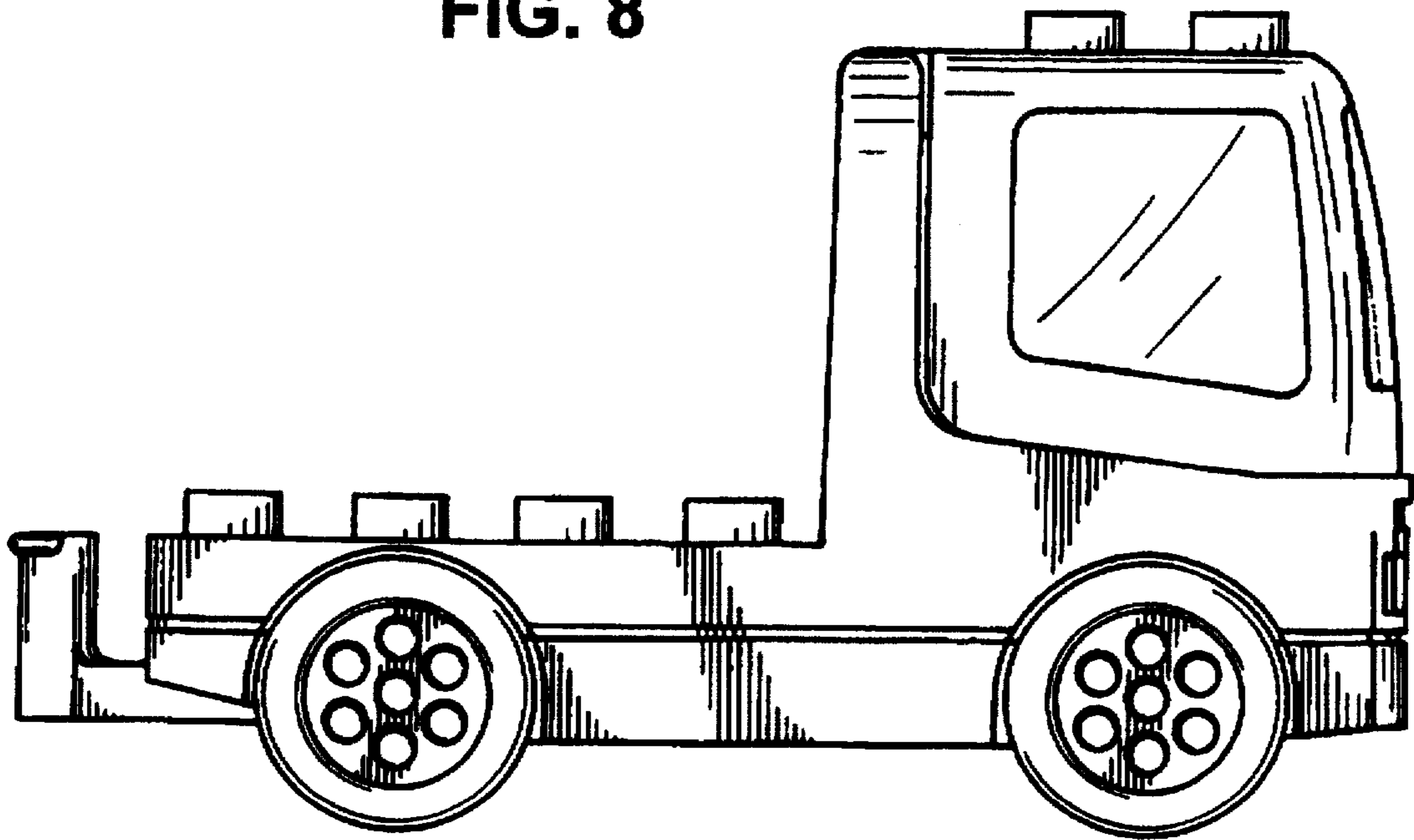


FIG. 4

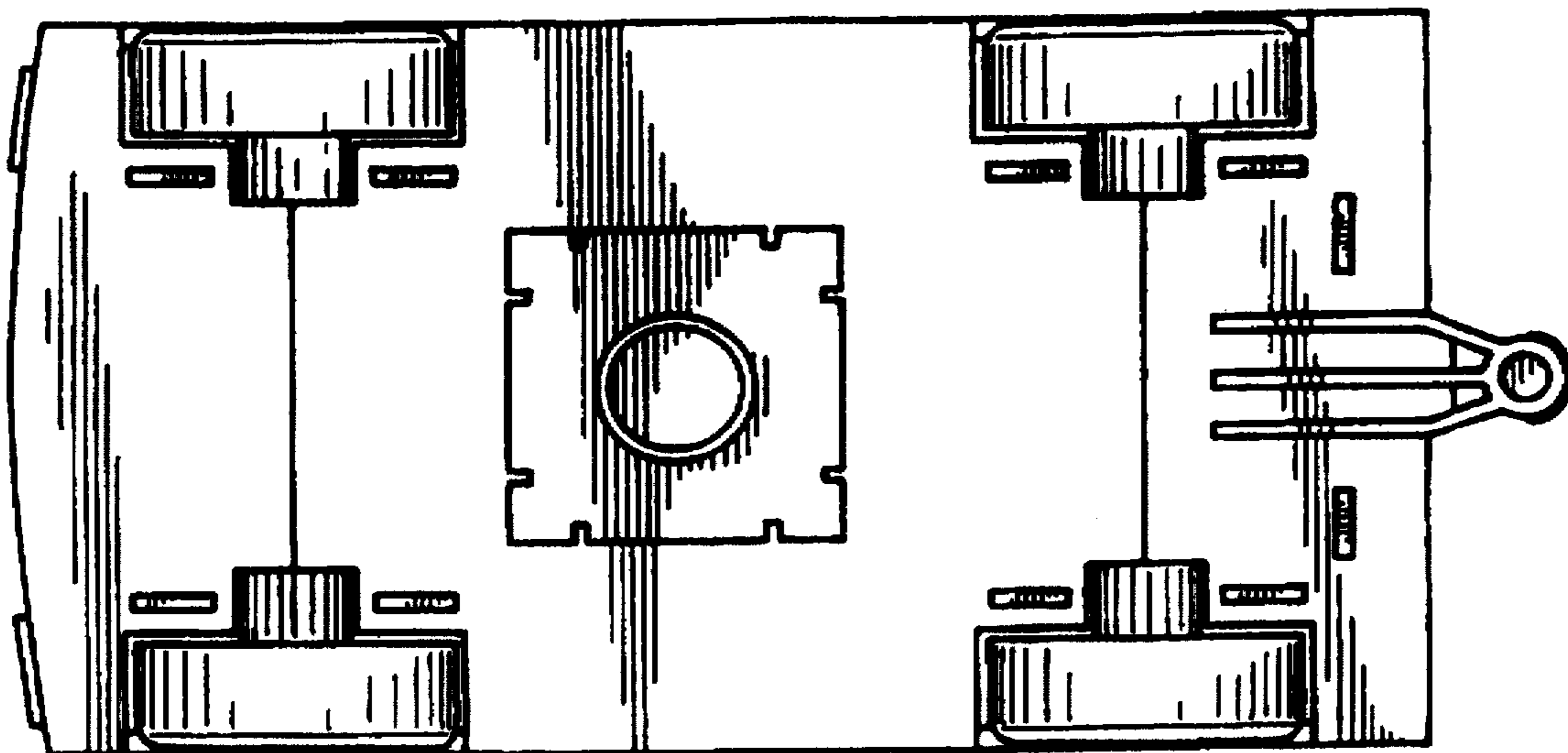


FIG. 7

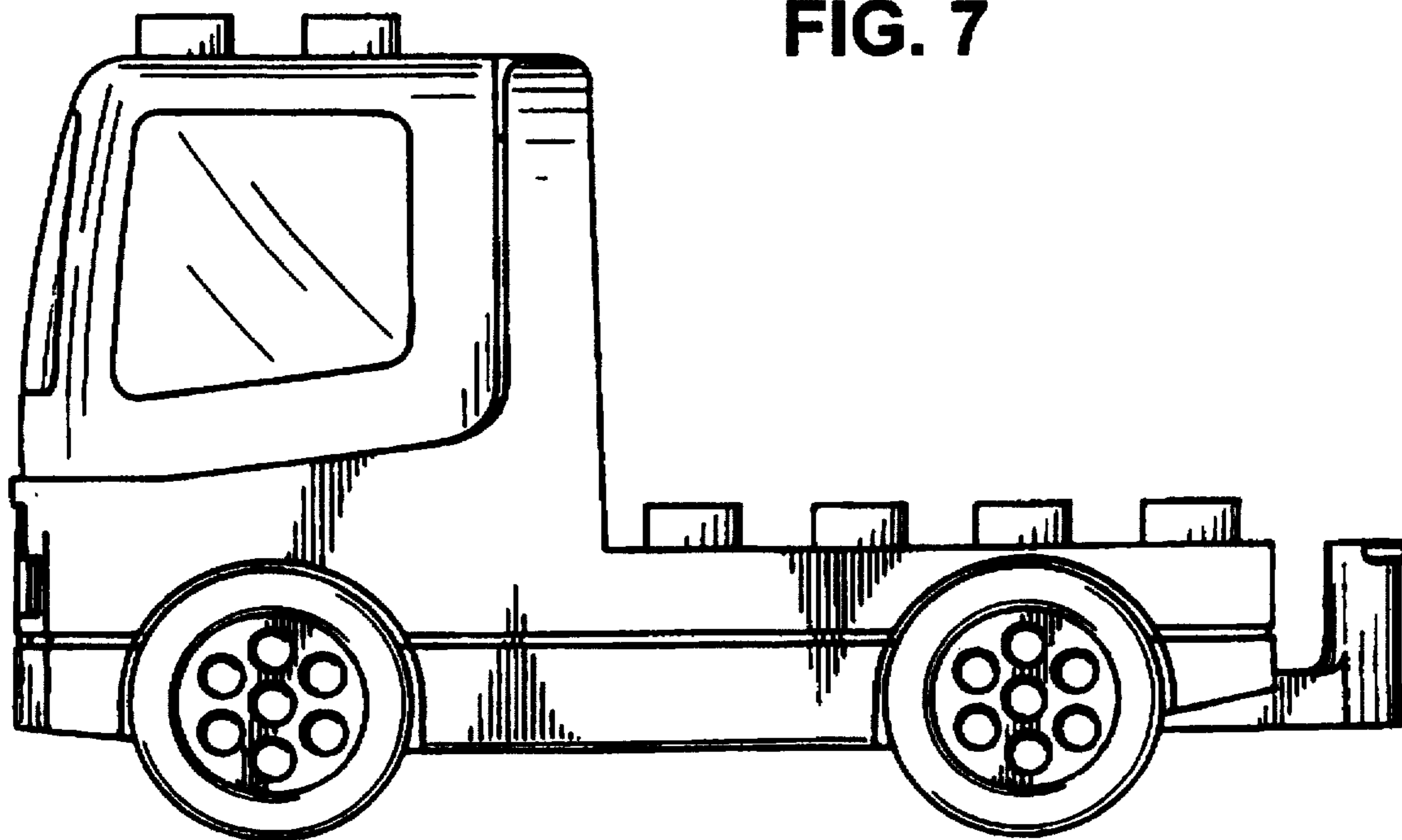


FIG. 5