



US00D384997S

United States Patent [19]

Digges

[11] Patent Number: **Des. 384,997**

[45] Date of Patent: ****Oct. 14, 1997**

[54] EXCAVATOR TOY

[76] Inventor: **Steuart Aden K. Digges**, 806 N. Fayette St., Alexandria, Va. 22314

[**] Term: **14 Years**

[21] Appl. No.: **56,915**

[22] Filed: **Jul. 11, 1996**

[51] LOC (6) Cl. **21-01**

[52] U.S. Cl. **D21/132; D21/131**

[58] Field of Search **D21/78, 79, 76, D21/129, 132, 134, 136, 143, 131; 446/410, 447, 467, 470, 168, 424, 137, 138**

[56] **References Cited**

U.S. PATENT DOCUMENTS

- D. 198,461 6/1964 McCoy D21/132
- D. 215,166 9/1969 Richardson D21/132
- D. 228,358 9/1973 Wormser D21/132

- D. 267,100 11/1982 Magnusson D21/132
- D. 359,769 6/1995 Goncalves D21/79
- 1,827,541 10/1931 Opperman D21/132
- 1,931,734 10/1933 Levy D21/132

Primary Examiner—Raphael Barkai
Attorney, Agent, or Firm—Peter J. Van Bergen

[57] **CLAIM**

The ornamental design for an excavator toy, as shown.

DESCRIPTION

FIG. 1 is a top, perspective view of an excavator toy showing my new design;
FIG. 2 is a rear elevation view thereof;
FIG. 3 is a front elevation view thereof;
FIG. 4 is a top plan view thereof;
FIG. 5 is a right side elevation view thereof;
FIG. 6 is a bottom plan view thereof; and,
FIG. 7 is a left side elevational view thereof.

1 Claim, 3 Drawing Sheets

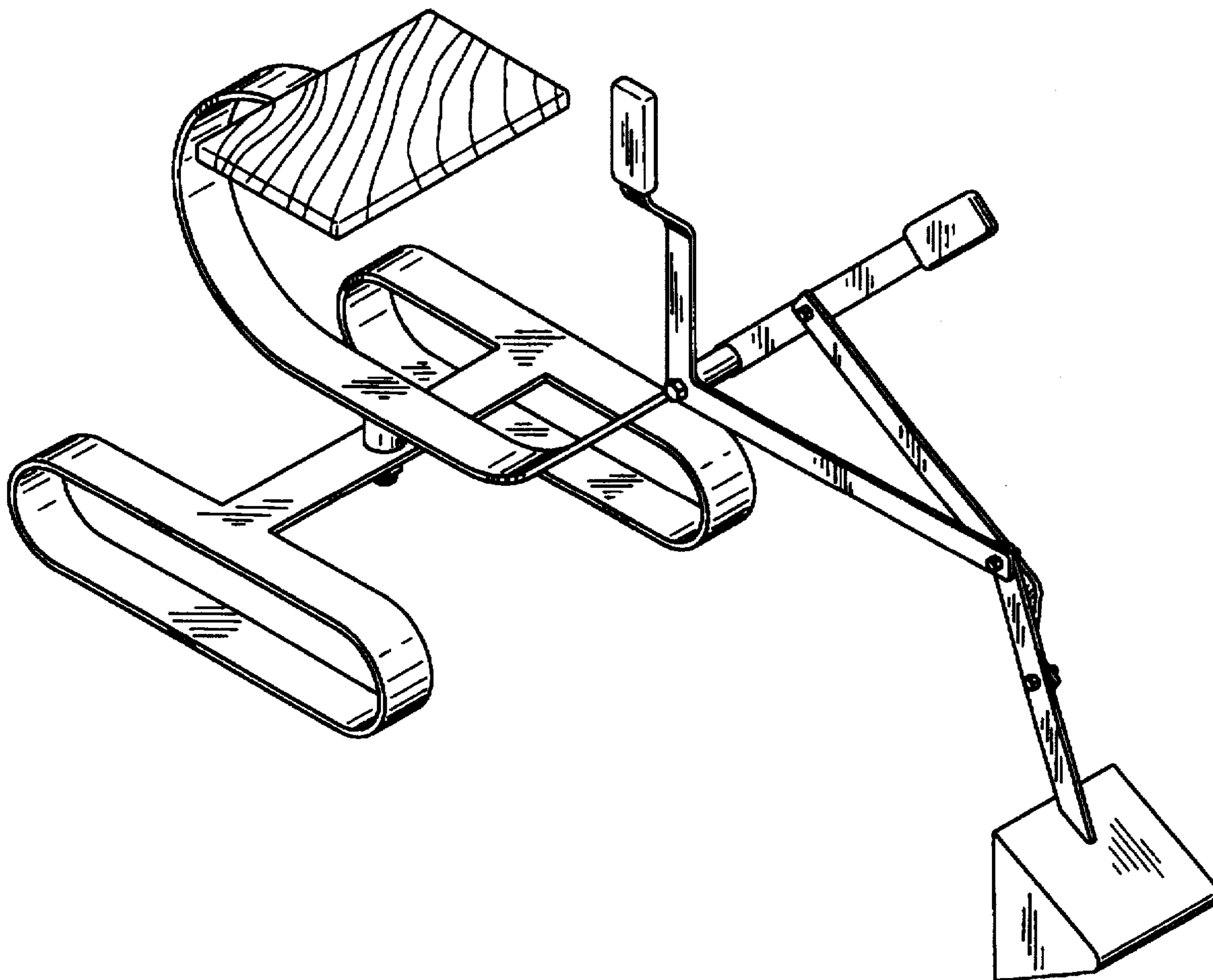


FIG. 1

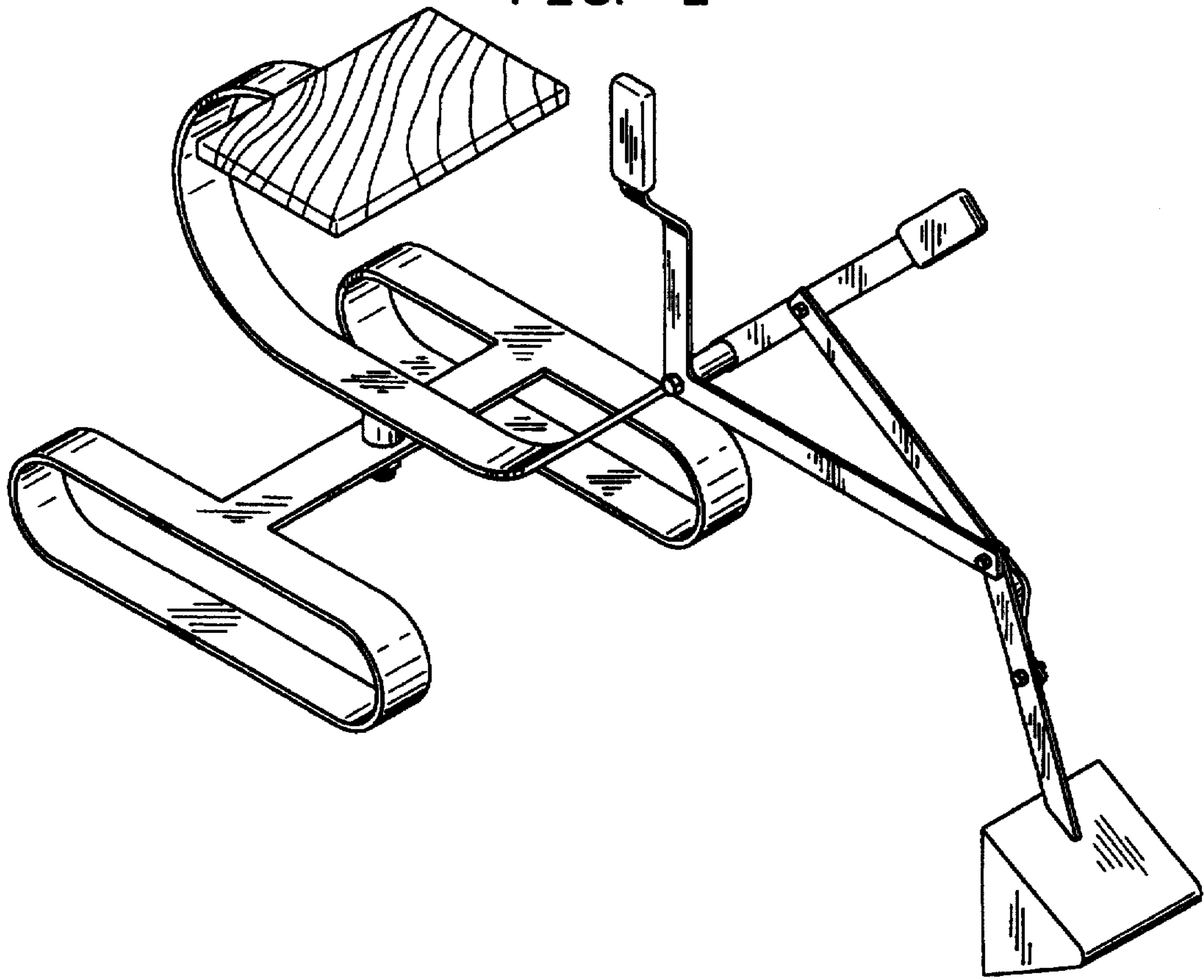


FIG. 2

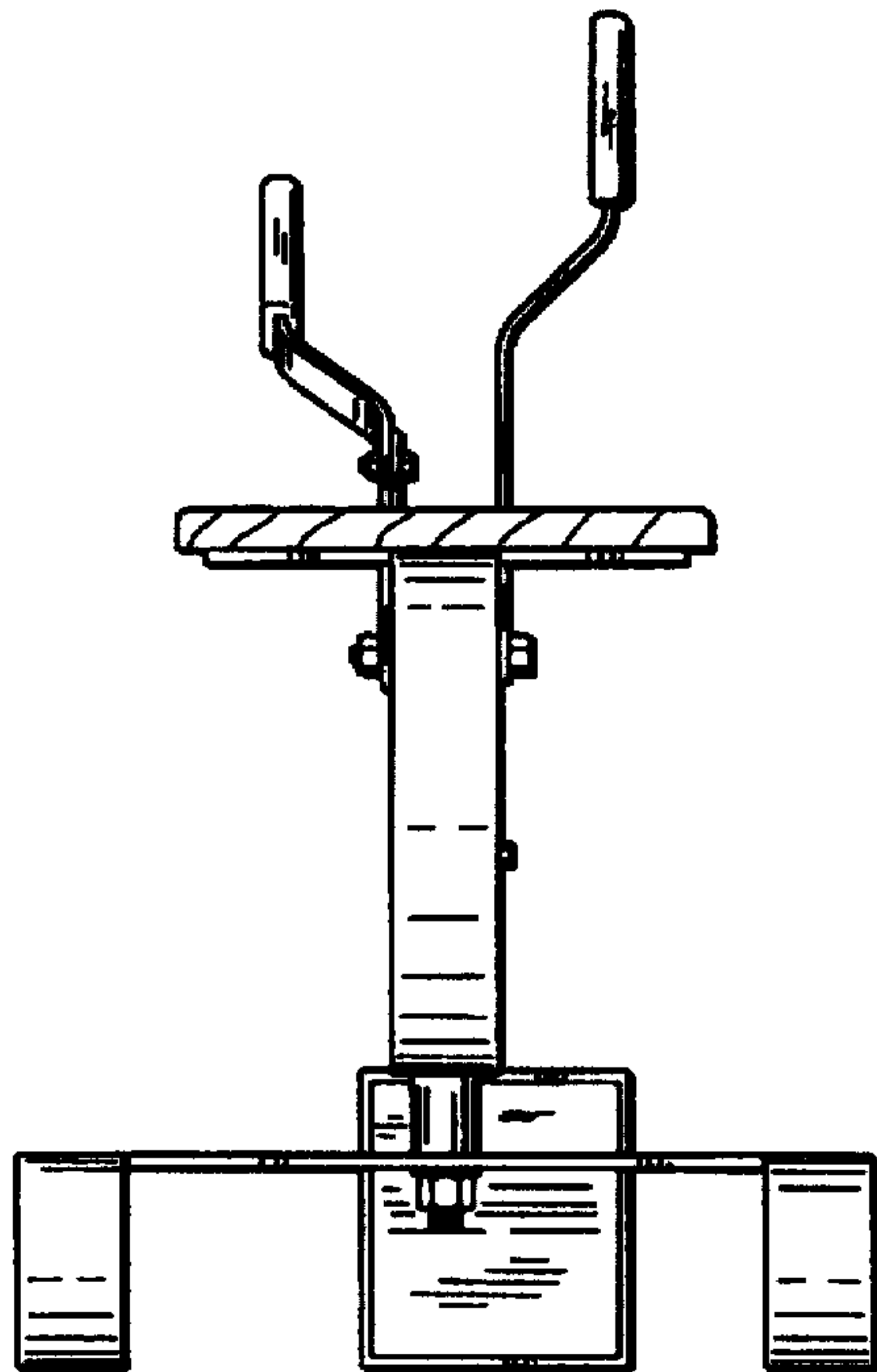


FIG. 3

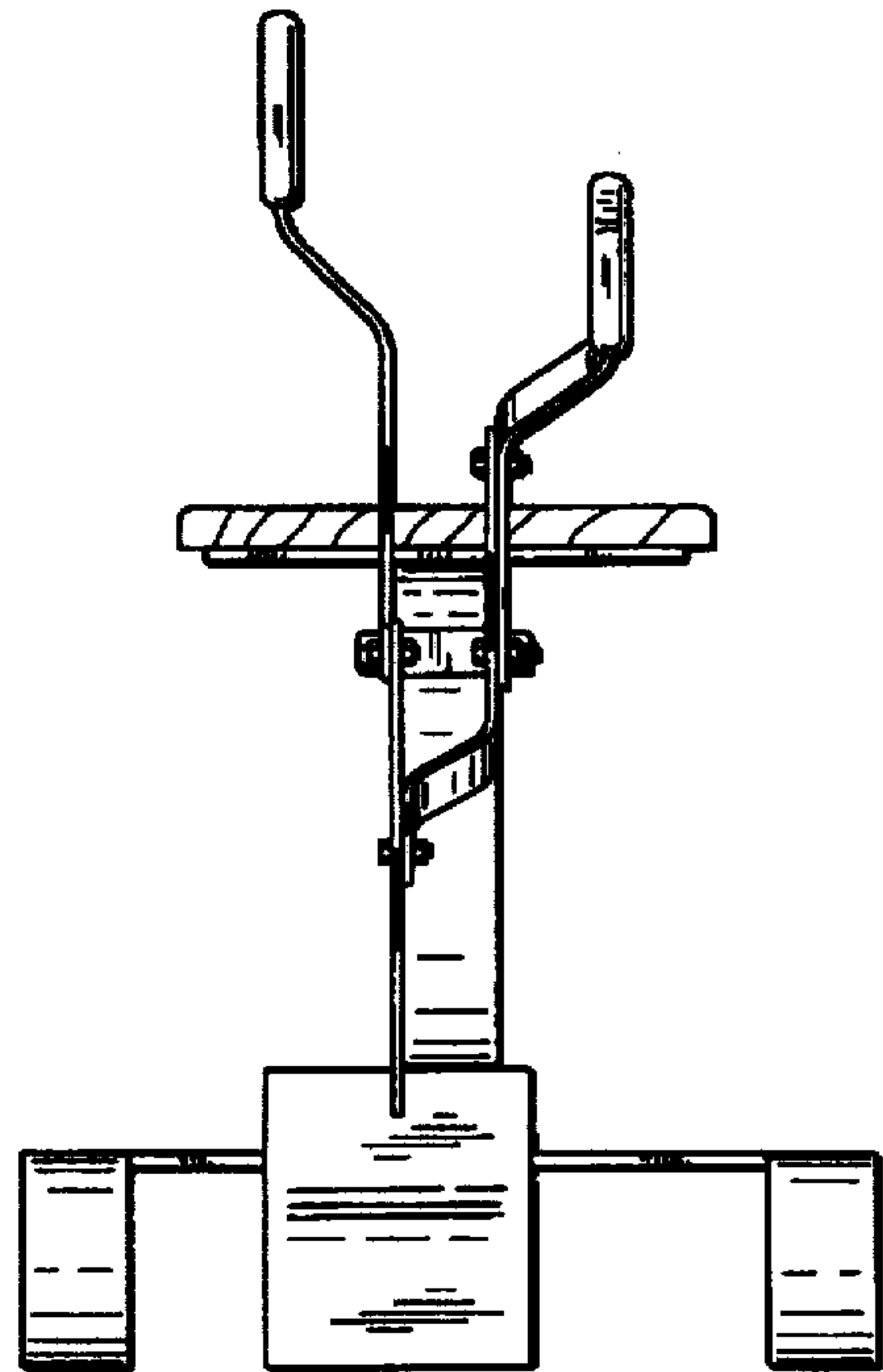


FIG. 4

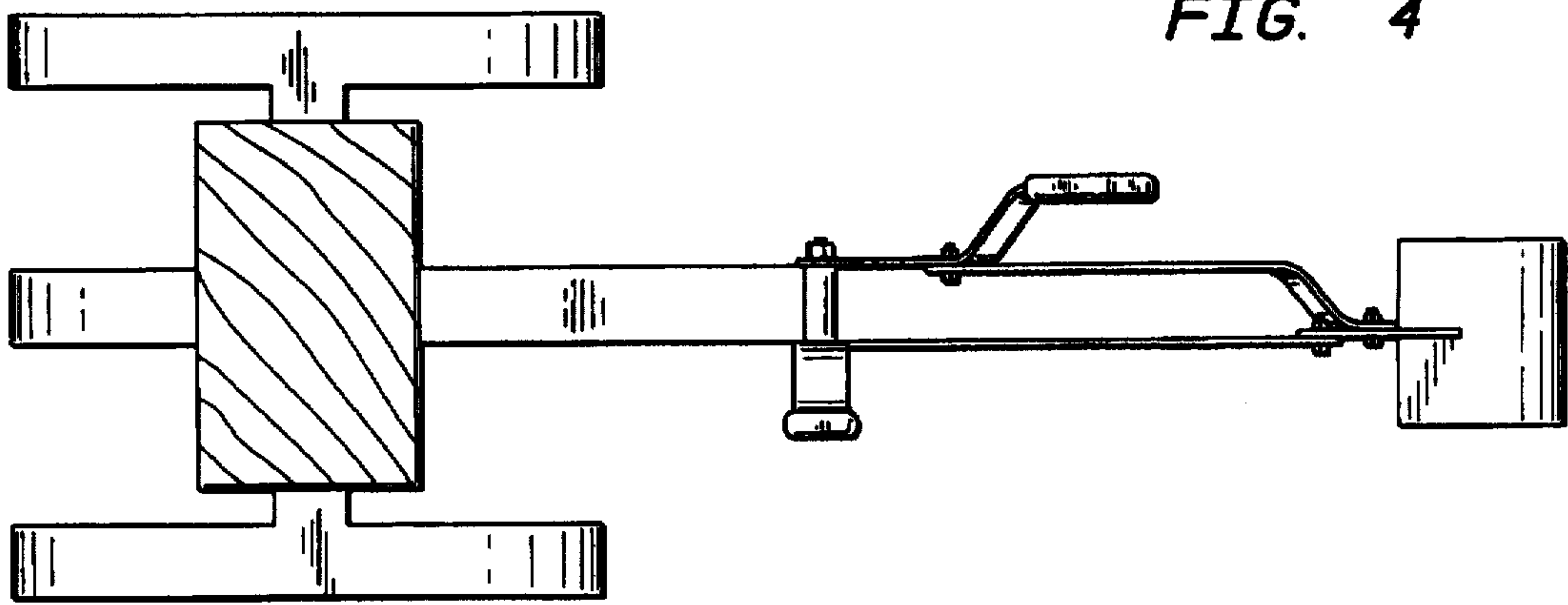


FIG. 5

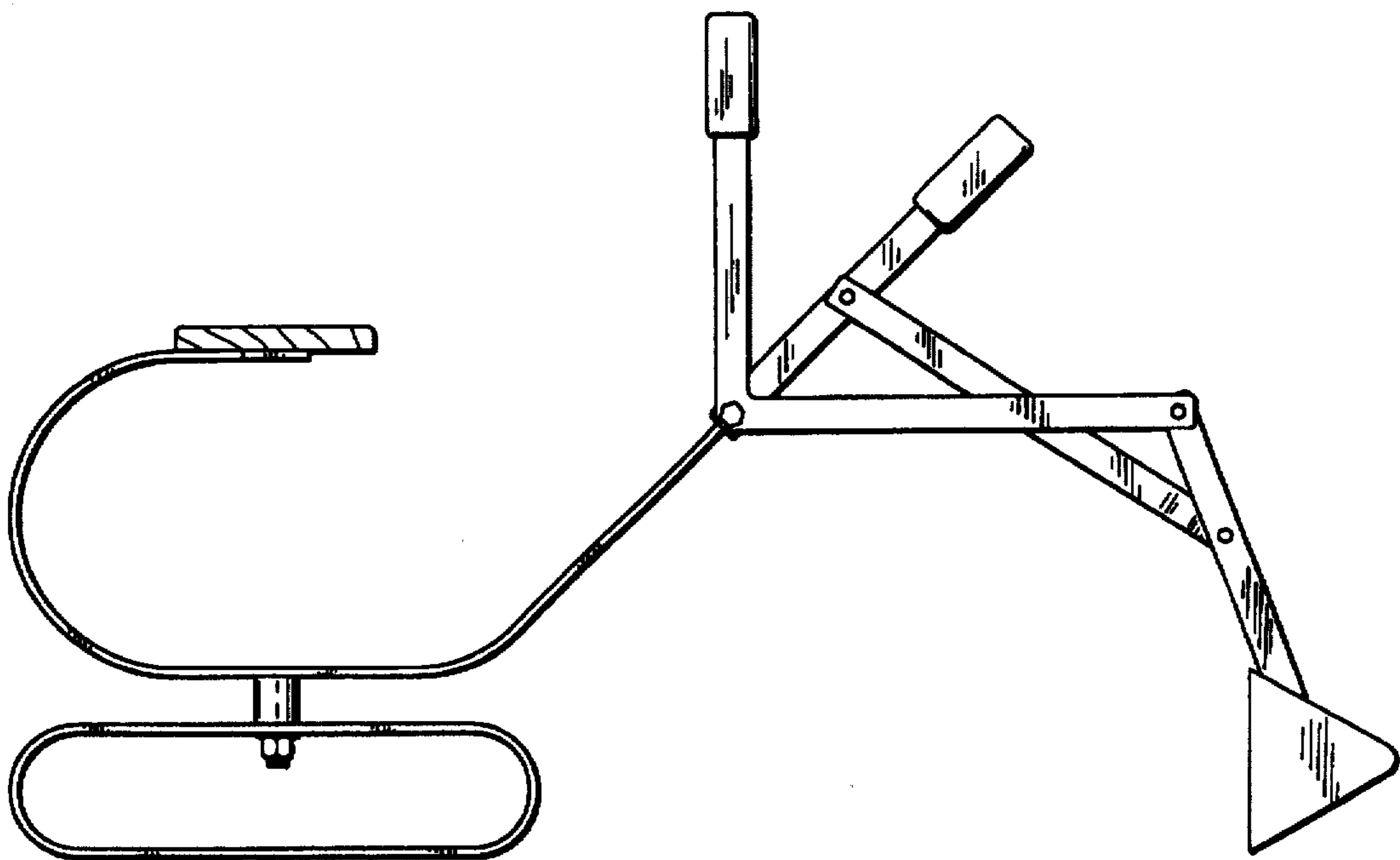


FIG. 6

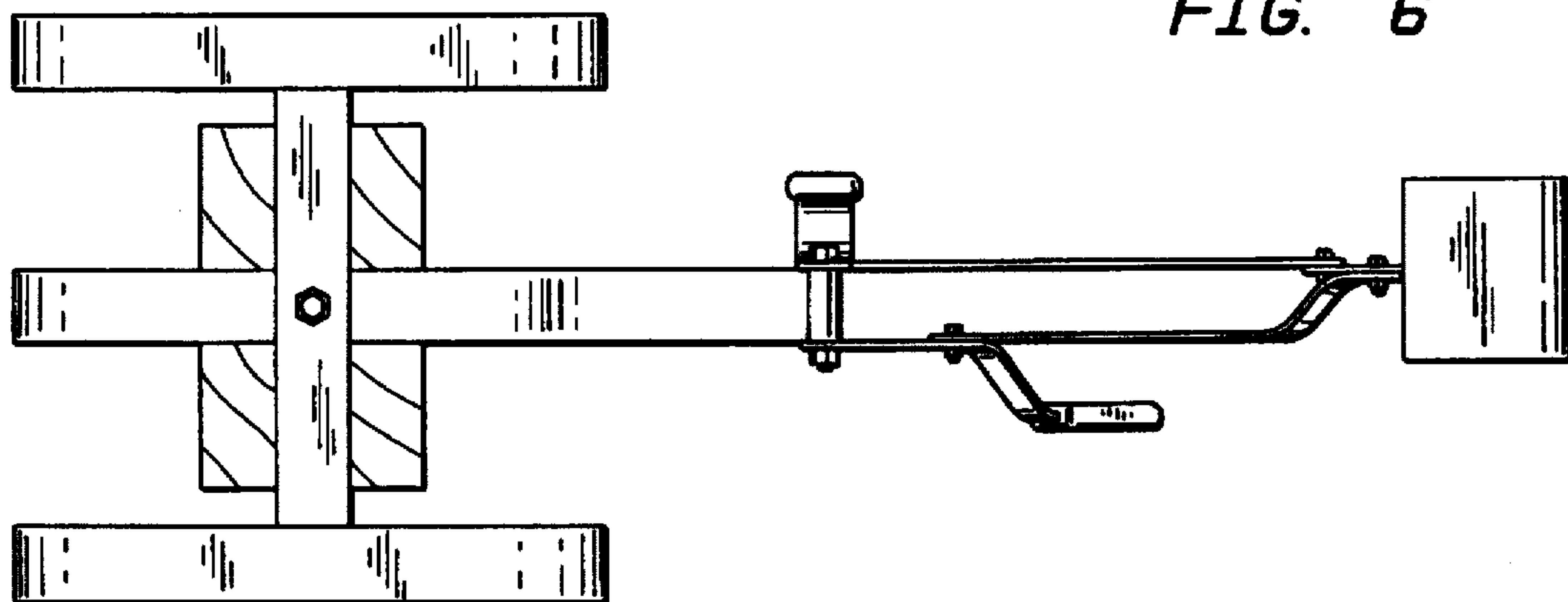


FIG. 7

