



US00D384989S

**United States Patent** [19]  
**Andersen**

[11] **Patent Number:** **Des. 384,989**

[45] **Date of Patent:** **\*\*Oct. 14, 1997**

[54] **TOY BUILDING ELEMENT**

[75] **Inventor:** **Steen Stig Andersen, Kolding, Denmark**

[73] **Assignee:** **Interlego Ag, Baar, Switzerland**

[\*\*] **Term:** **14 Years**

[21] **Appl. No.:** **59,830**

[22] **Filed:** **Sep. 17, 1996**

[51] **LOC (6) Cl.** ..... **21-01**

[52] **U.S. Cl.** ..... **D21/108**

[58] **Field of Search** ..... **D21/108, 114-119; D25/35, 47, 52-53, 55, 58; 446/85, 88, 93, 102, 104, 108-111, 120, 121, 124-126, 128, 476, 479, 471**

[56] **References Cited**

**U.S. PATENT DOCUMENTS**

258,212 5/1882 Barnes ..... 446/110  
D. 326,723 6/1992 Guthrie ..... D25/52  
D. 360,658 7/1995 Voldmester et al. .... D21/108

D. 364,656 11/1995 Ruskai ..... D21/108  
3,534,494 10/1970 Majima ..... 446/110  
4,227,337 10/1980 Murray et al. .... 446/110  
4,895,542 1/1990 de Blanitza ..... 446/471

*Primary Examiner*—Raphael Barkai  
*Attorney, Agent, or Firm*—Kane, Dalsimer, Sullivan, Kurucz, Levy, Eisele and Richard, LLP

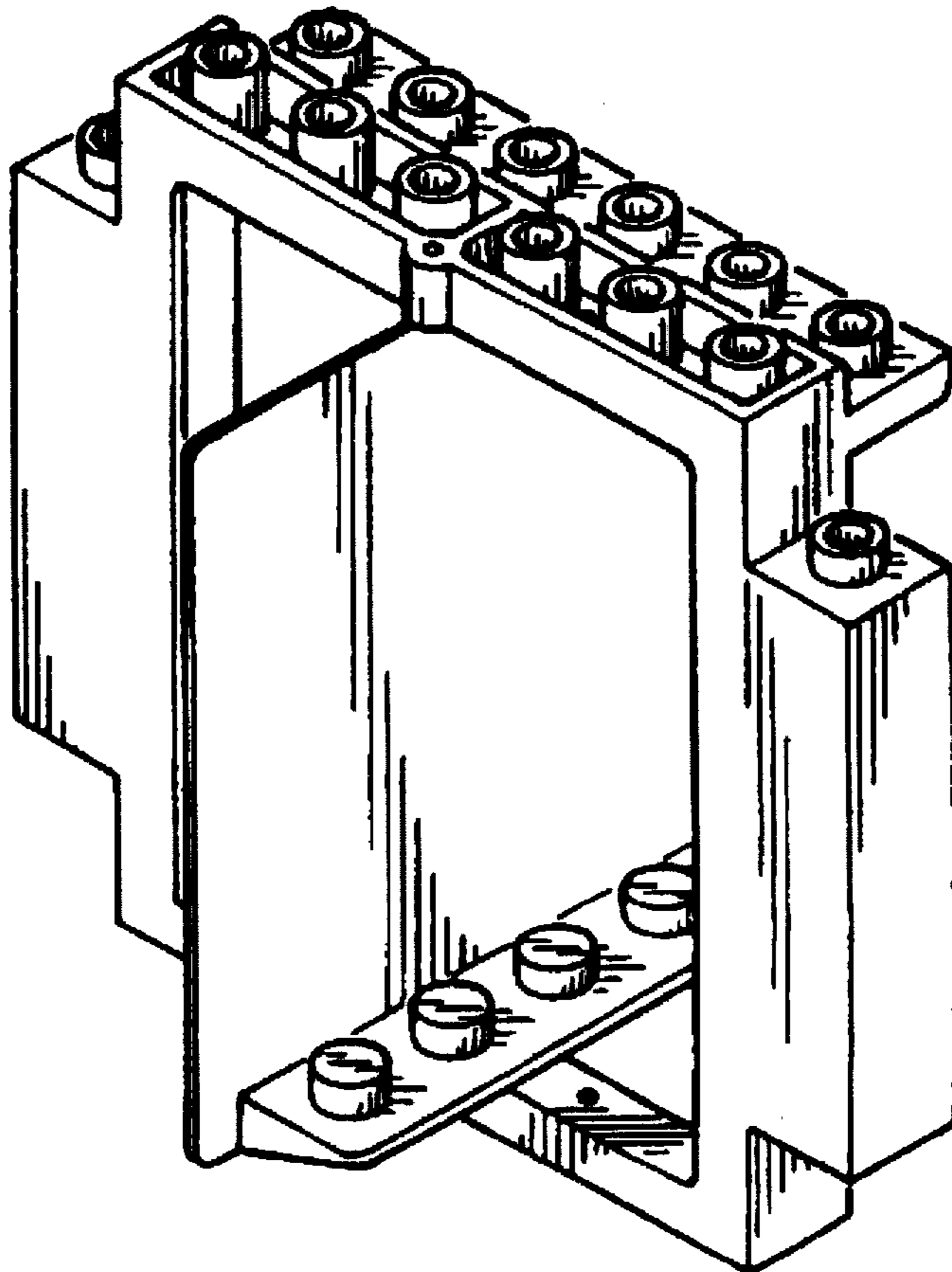
[57] **CLAIM**

The ornamental design for a toy building element, as shown and described.

**DESCRIPTION**

FIG. 1 is a top perspective view of the toy building element; FIG. 2 is a bottom perspective view thereof; FIG. 3 is a top perspective view in an alternative position; FIG. 4 is a front elevational view thereof; FIG. 5 is a left side elevational view thereof; FIG. 6 is a right side elevational view thereof; FIG. 7 is a rear view thereof; FIG. 8 is a bottom plan view thereof; and, FIG. 9 is a top plan view thereof.

**1 Claim, 2 Drawing Sheets**



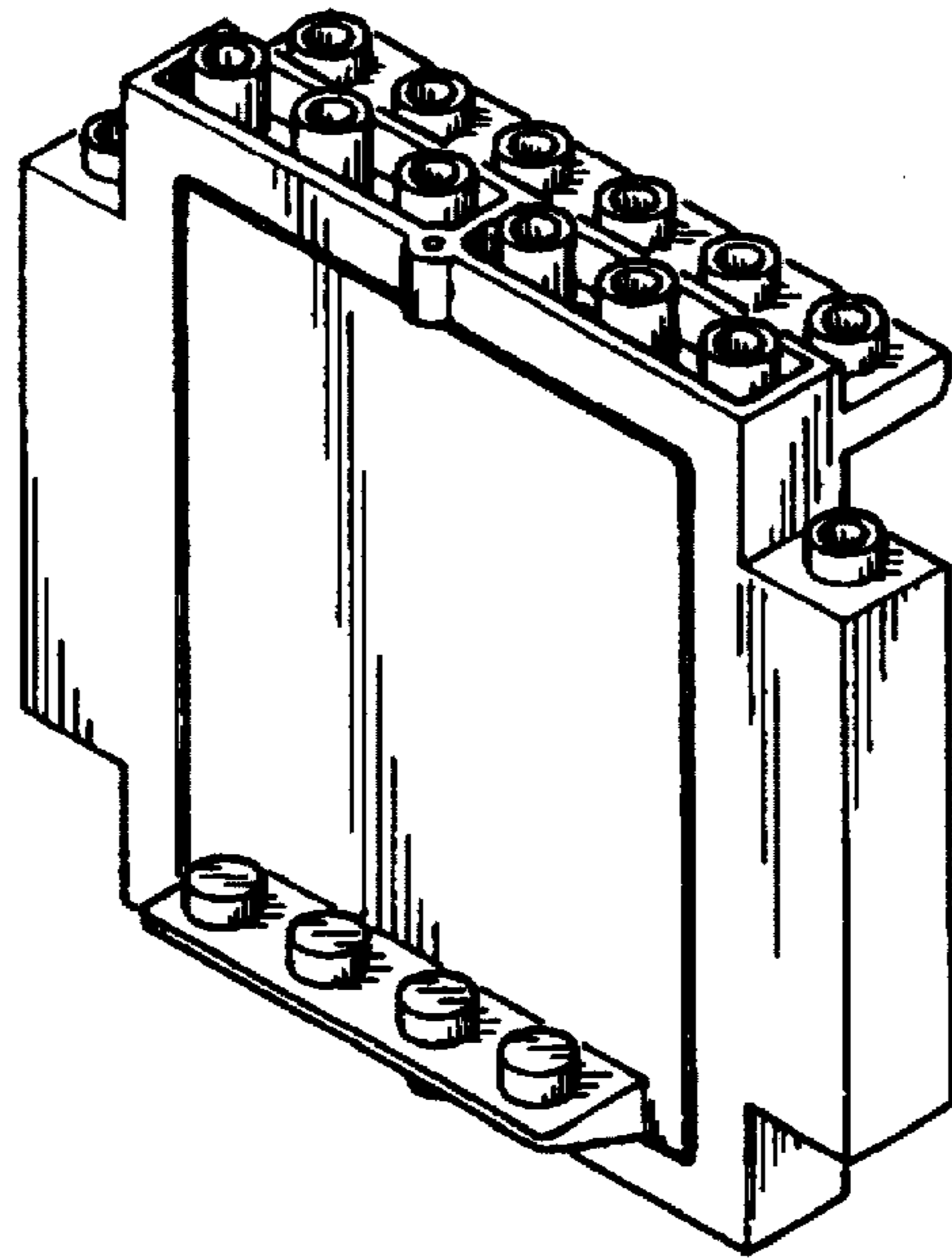


FIG. 1

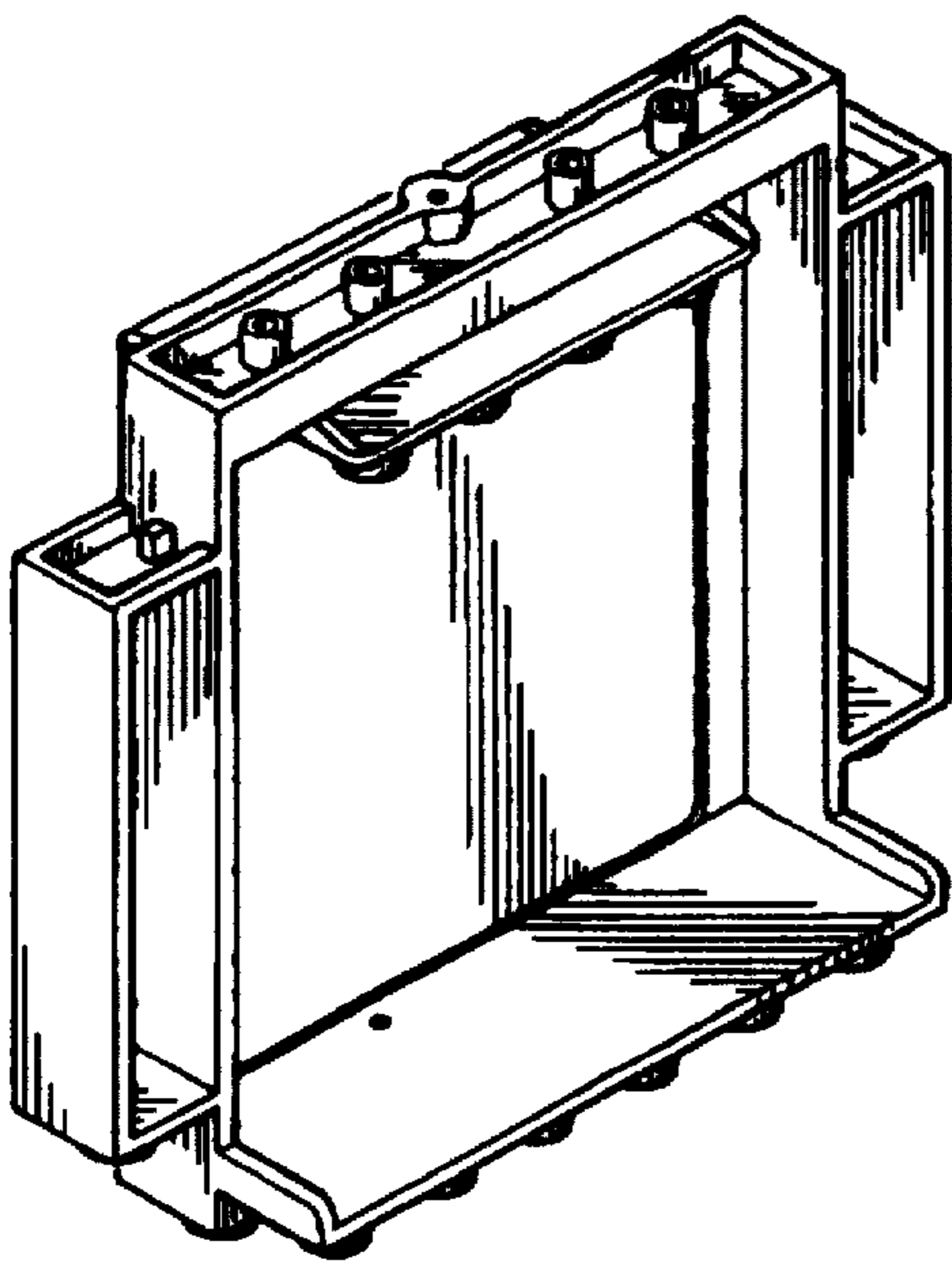


FIG. 2

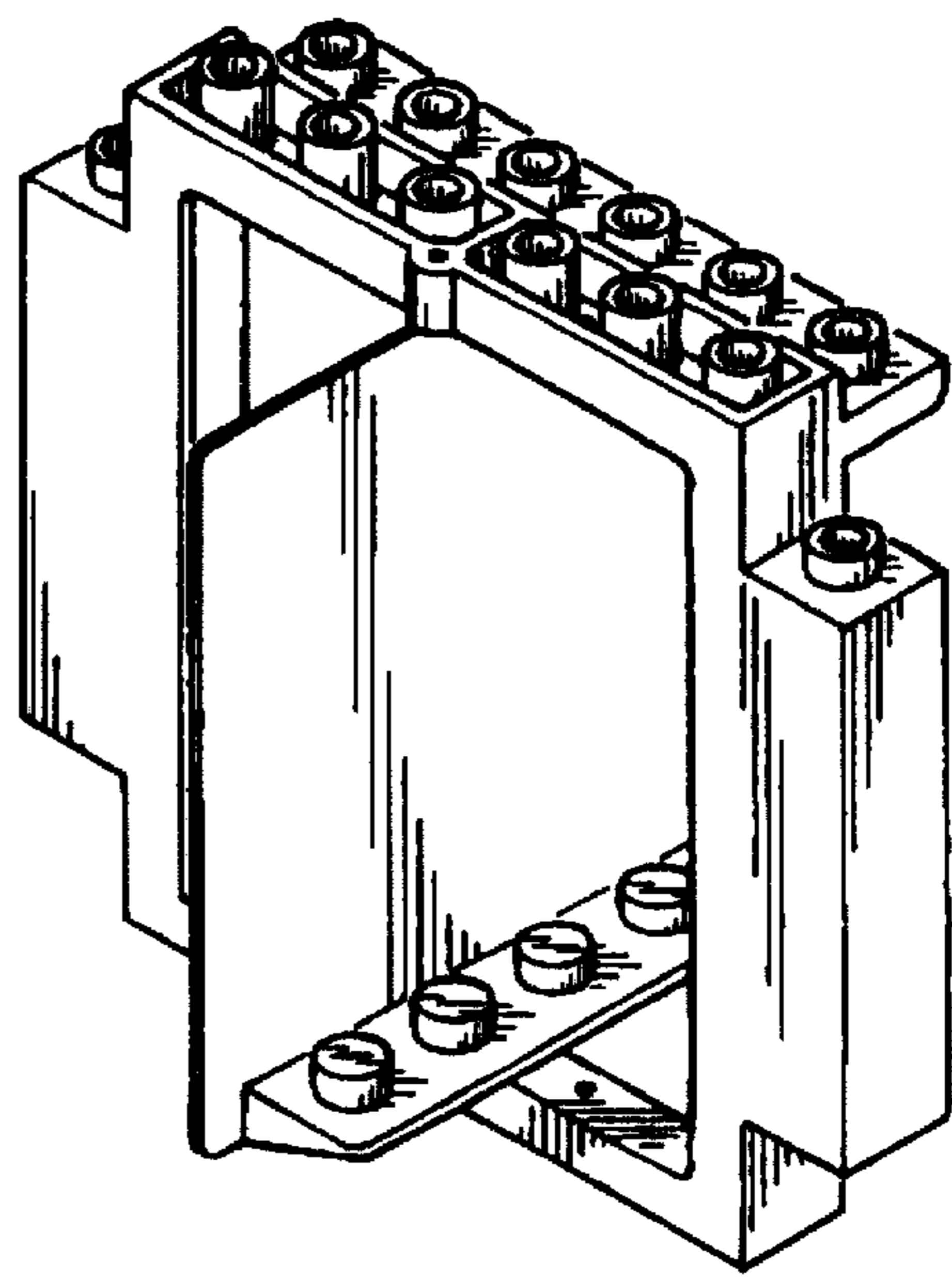


FIG. 3

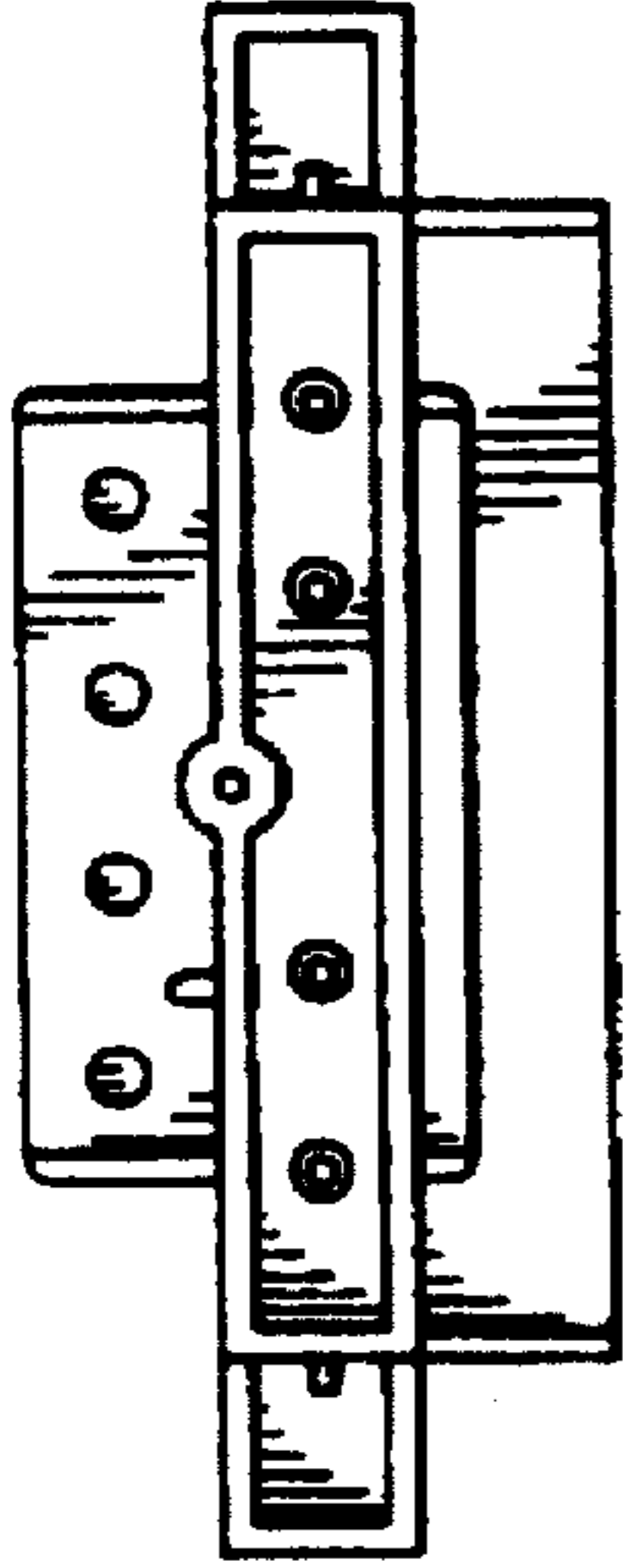


FIG. 8

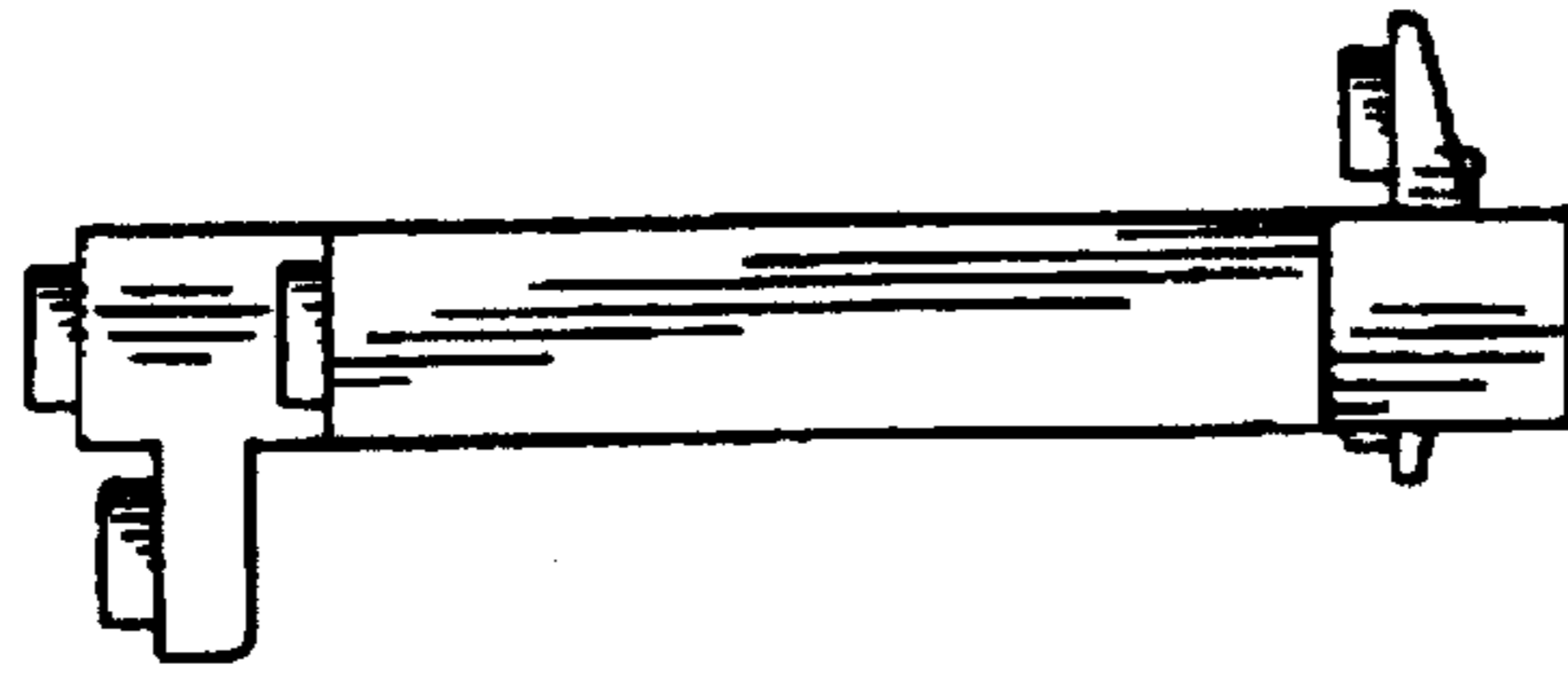


FIG. 6

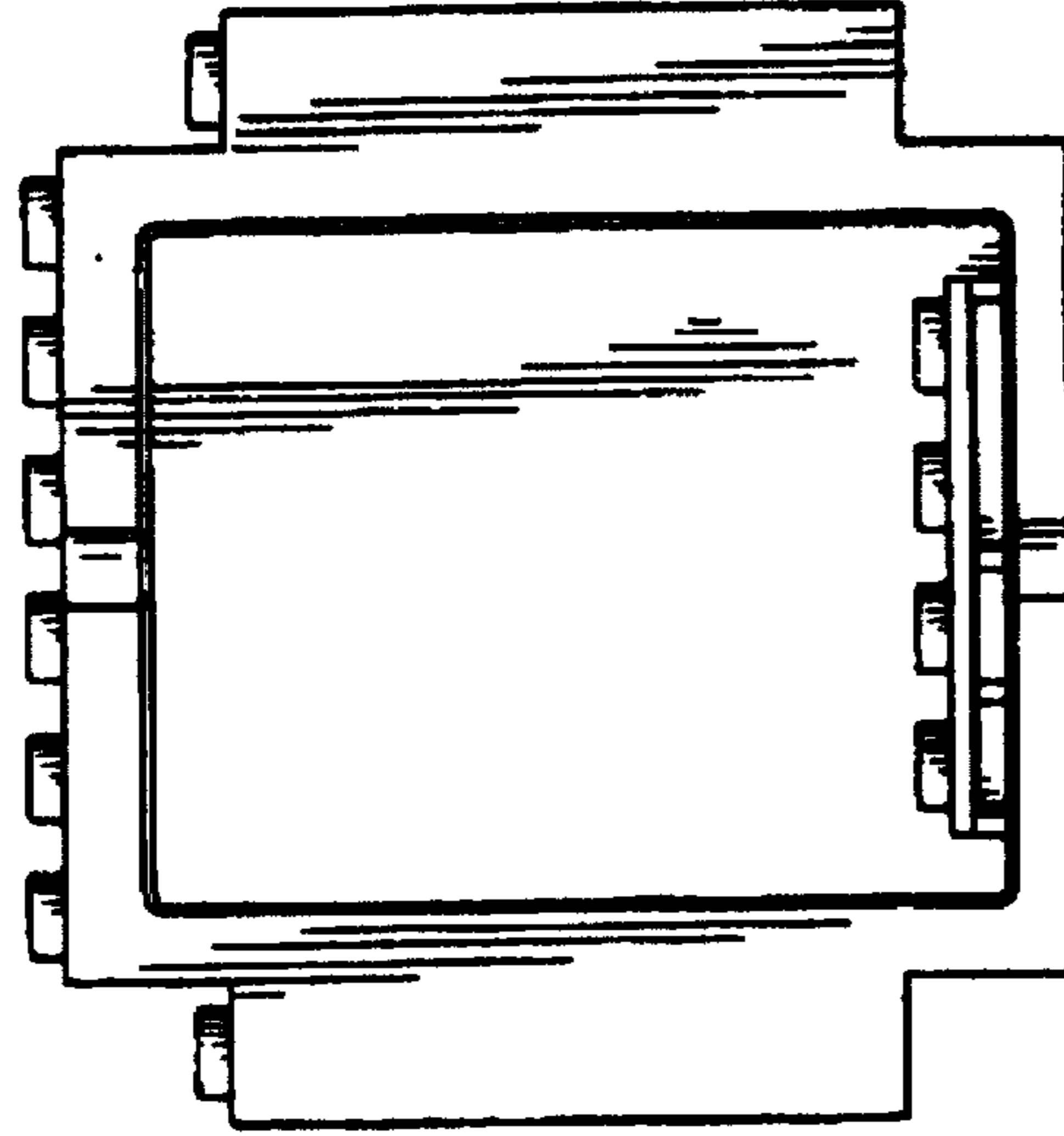


FIG. 4

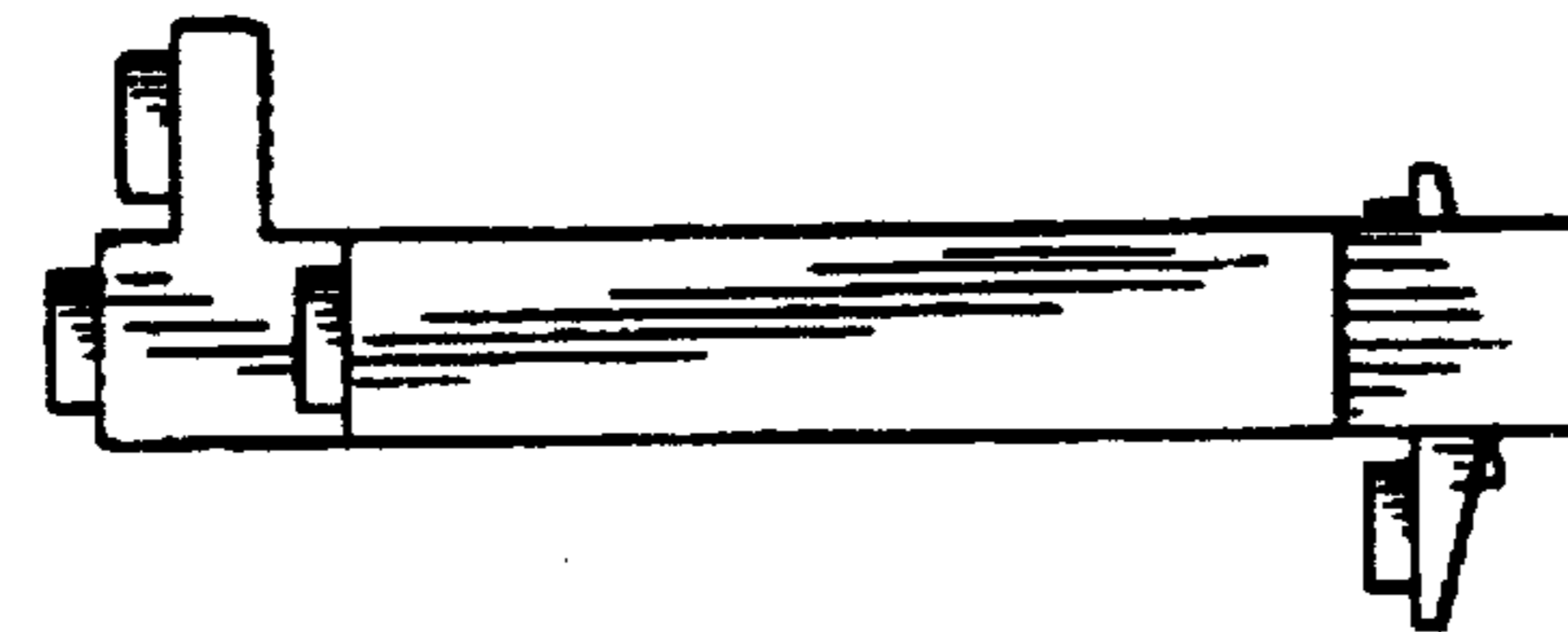


FIG. 5

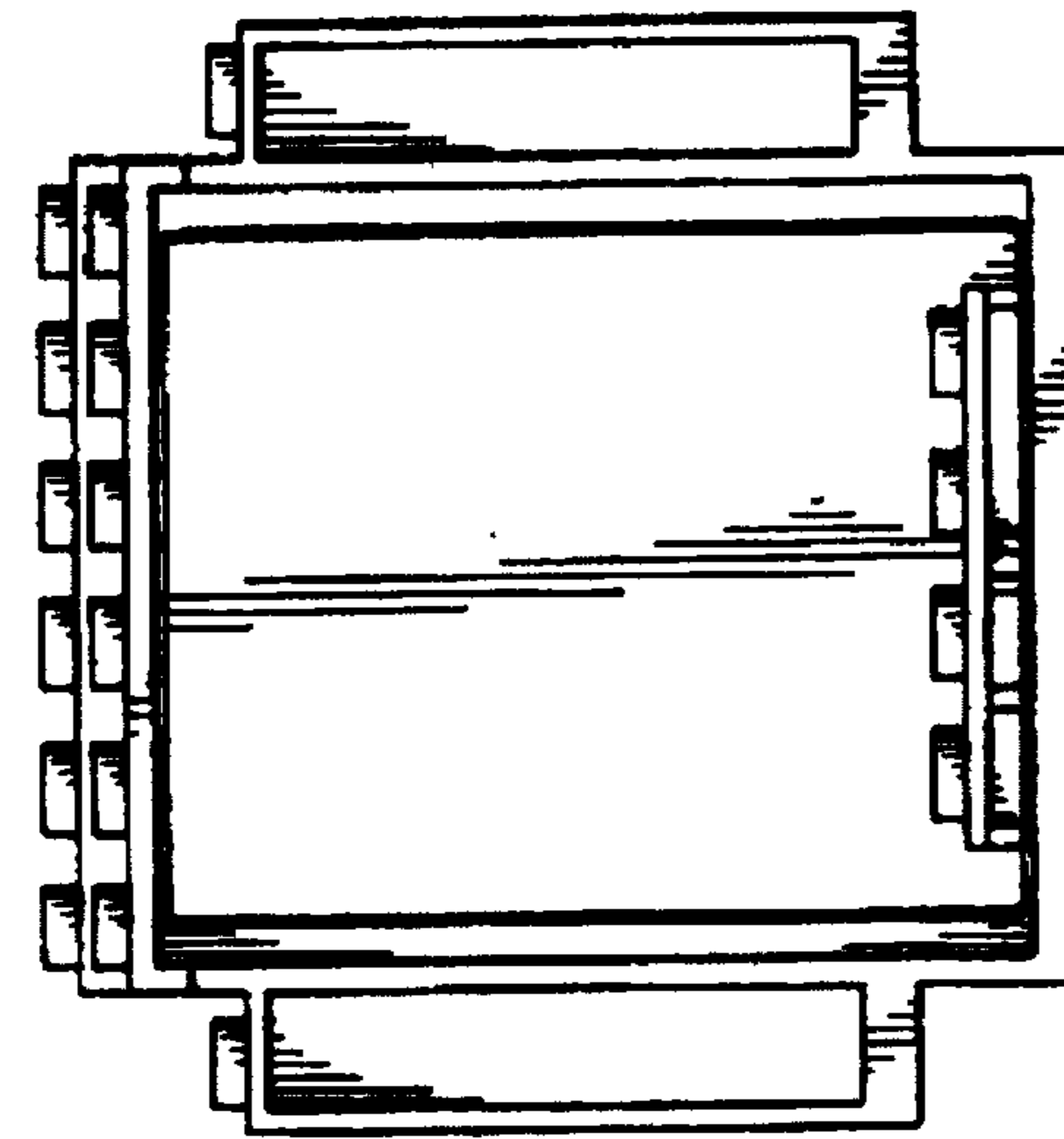


FIG. 7

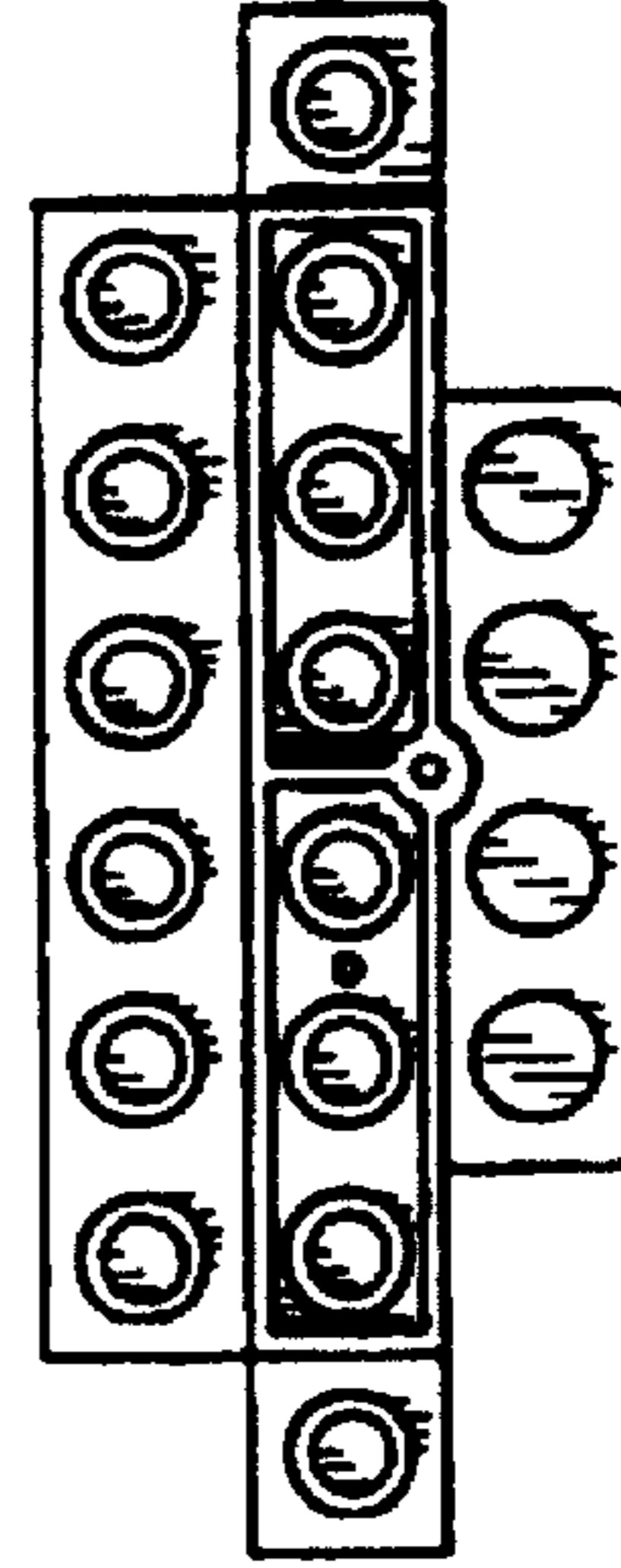


FIG. 9

UNITED STATES PATENT AND TRADEMARK OFFICE  
**CERTIFICATE OF CORRECTION**

PATENT NO. : Des. 384,989  
DATED : October 14, 1997  
INVENTOR(S) : Steen Sig Andersen

It is certified that error appears in the above-identified patent and that said Letters Patent is hereby corrected as shown below:

On the title page, Item [75], list the inventor's name to read as follows:

Steen Sig Andersen

On the title page, Item [73], list the Assignee's name to read as follows:

INTERLEGO AG

Signed and Sealed this  
Ninth Day of December, 1997

Attest:



BRUCE LEHMAN

Attesting Officer

Commissioner of Patents and Trademarks