



US00D384983S

United States Patent [19]

Chmelicek et al.

[11] Patent Number: **Des. 384,983**

[45] Date of Patent: ****Oct. 14, 1997**

- [54] **AMUSEMENT GAME UNIT**
- [75] Inventors: **Larry D. Chmelicek; James I. Carroll**, both of Cedar Rapids, Iowa
- [73] Assignee: **Classic Games**, Cedar Rapids, Iowa
- [**] Term: **14 Years**
- [21] Appl. No.: **59,762**
- [22] Filed: **Sep. 16, 1996**
- [51] LOC (6) Cl. **21-02**
- [52] U.S. Cl. **D21/38**
- [58] Field of Search **D21/38; 273/143 R, 273/138 A; 463/20; 248/500, 248; 297/344.1, 257**

- 5,102,192 4/1992 Barile, Sr. 248/500
- 5,114,112 5/1992 Infanti 248/500
- 5,409,296 4/1995 Barile 297/344.1

Primary Examiner—Raphael Barkai
Assistant Examiner—Mitchell I. Siegel
Attorney, Agent, or Firm—James C. Nemmers

[57] CLAIM

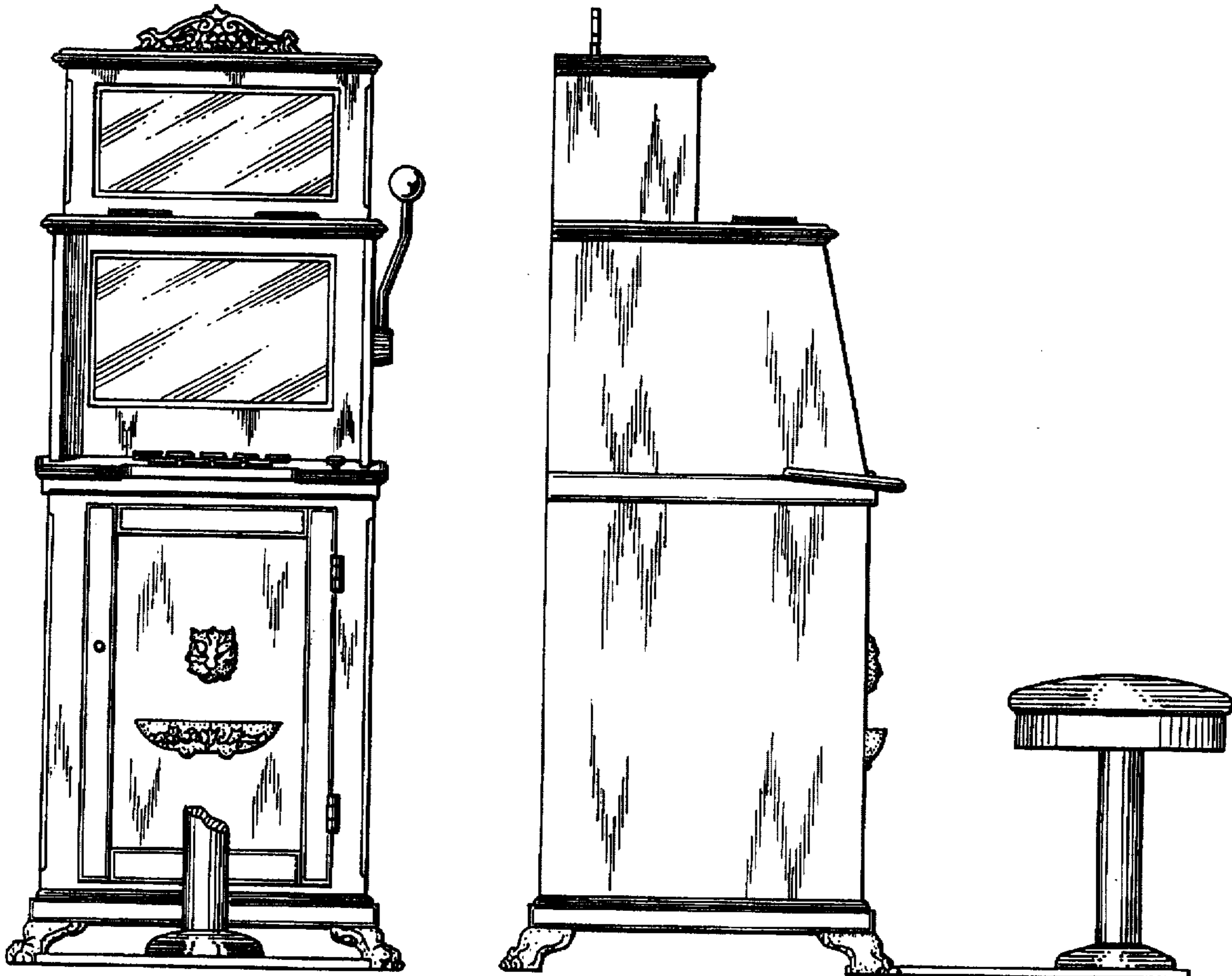
The ornamental design for a amusement game unit, as shown and described.

DESCRIPTION

FIG. 1 is a front elevational view of the amusement game unit, the stool being fragmented for clarity of illustration; FIG. 2 is a left side elevational view of the amusement game unit; FIG. 3 is a top view of the amusement game unit; FIG. 4 is a right side elevational view of the amusement game unit; and, FIG. 5 is a rear elevational view of the amusement game unit.

- [56] **References Cited**
- U.S. PATENT DOCUMENTS**
- D. 340,954 11/1993 Stefan D21/38
- D. 371,168 6/1996 Takemoto et al. D21/38
- 4,657,257 4/1987 Lubeck 273/148 R

1 Claim, 3 Drawing Sheets



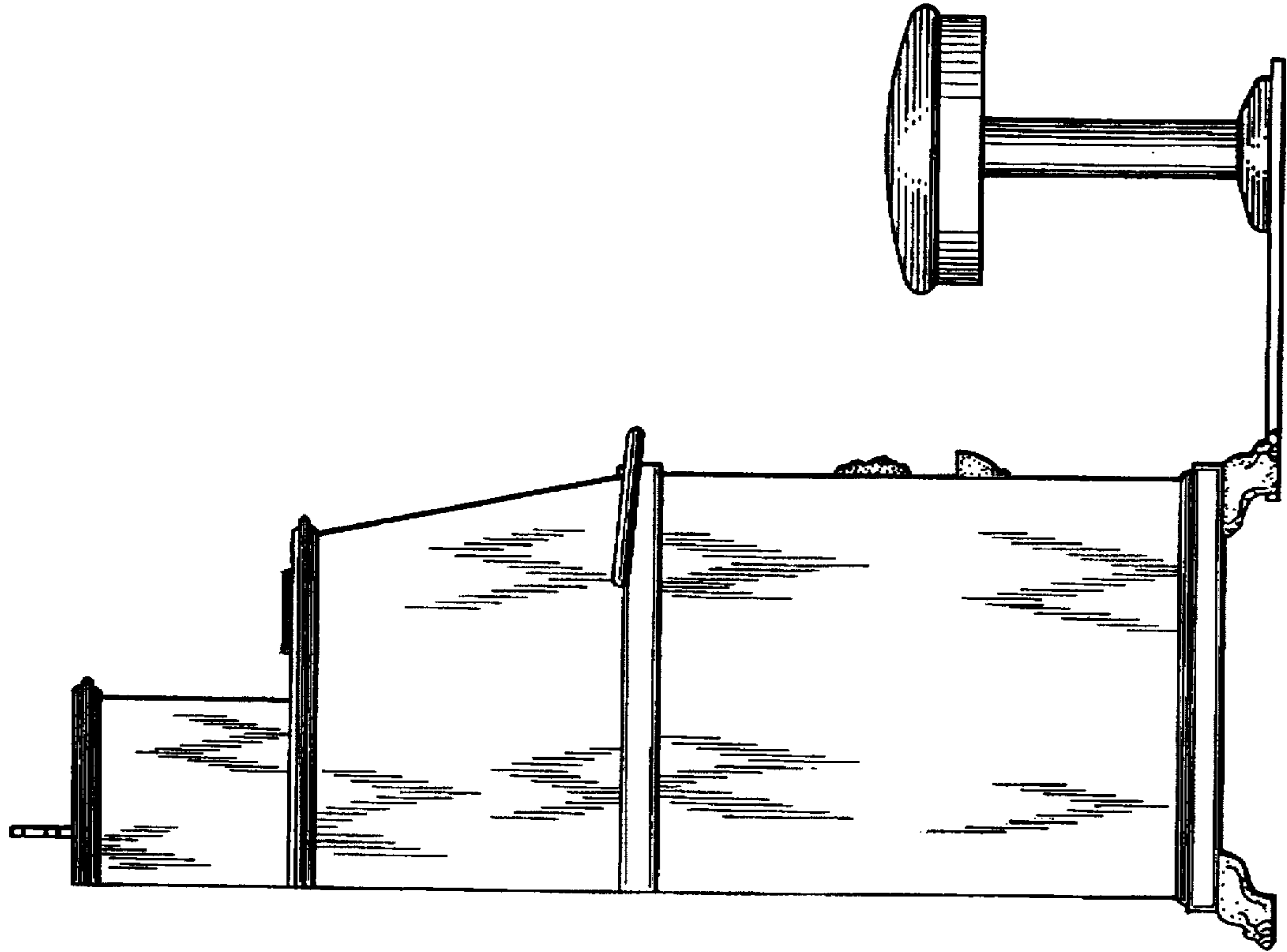


FIG. 2

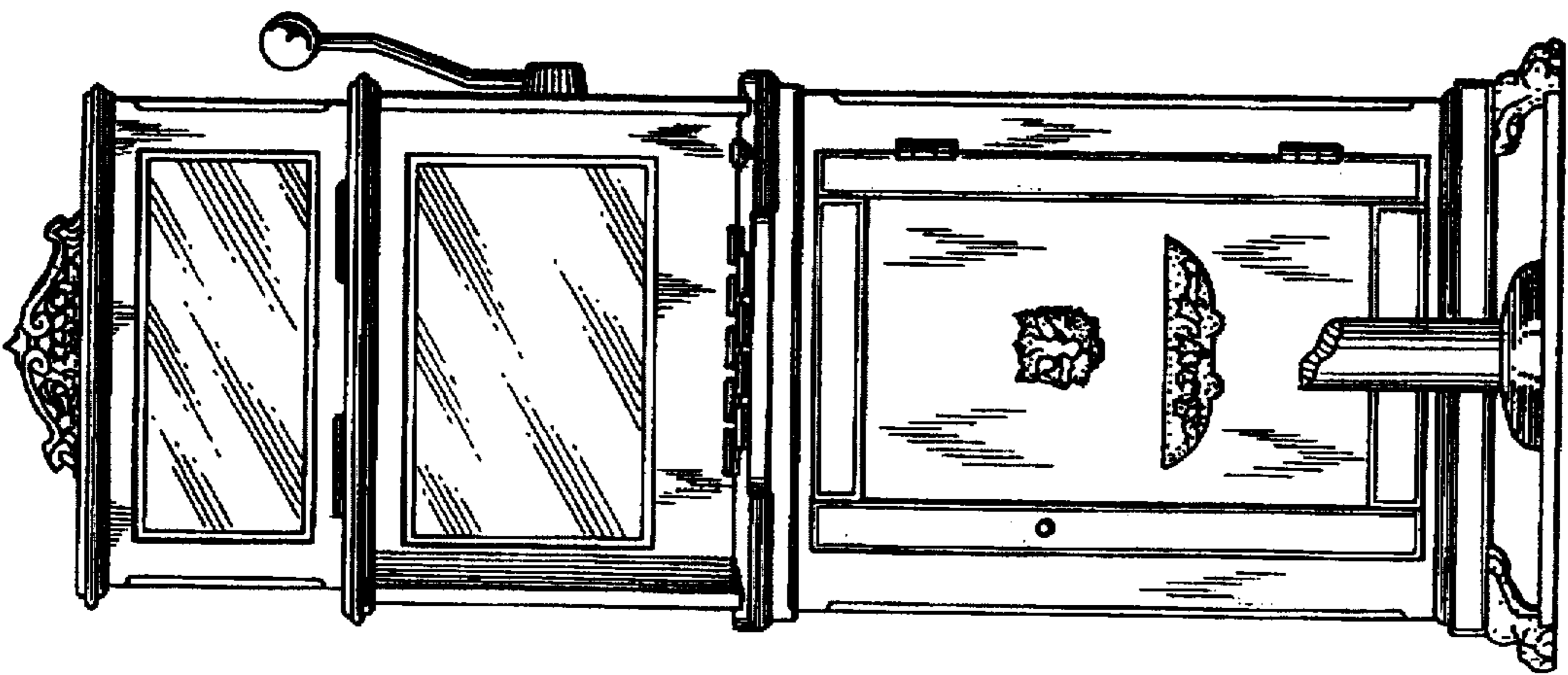


FIG. 1

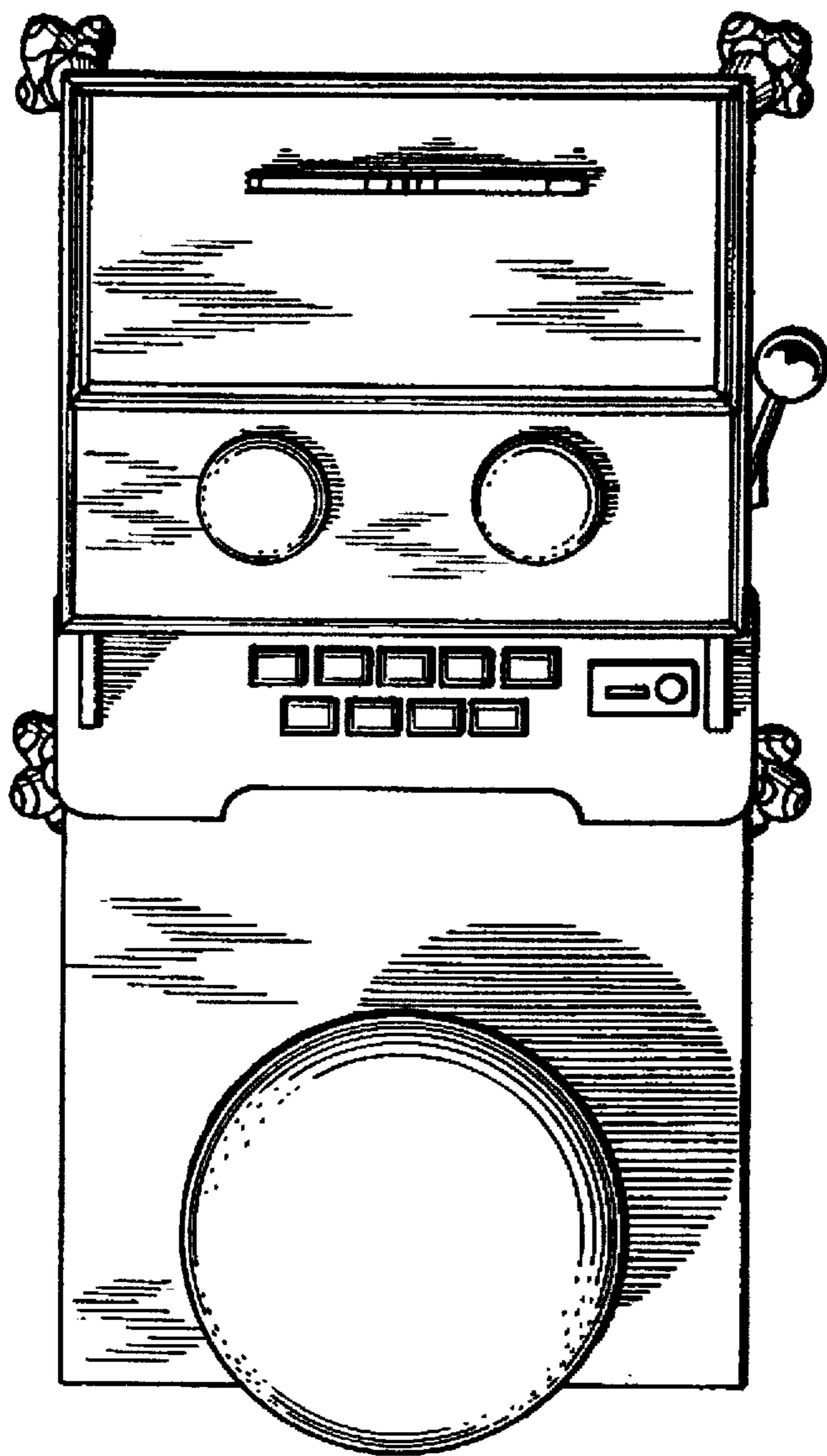


FIG. 3

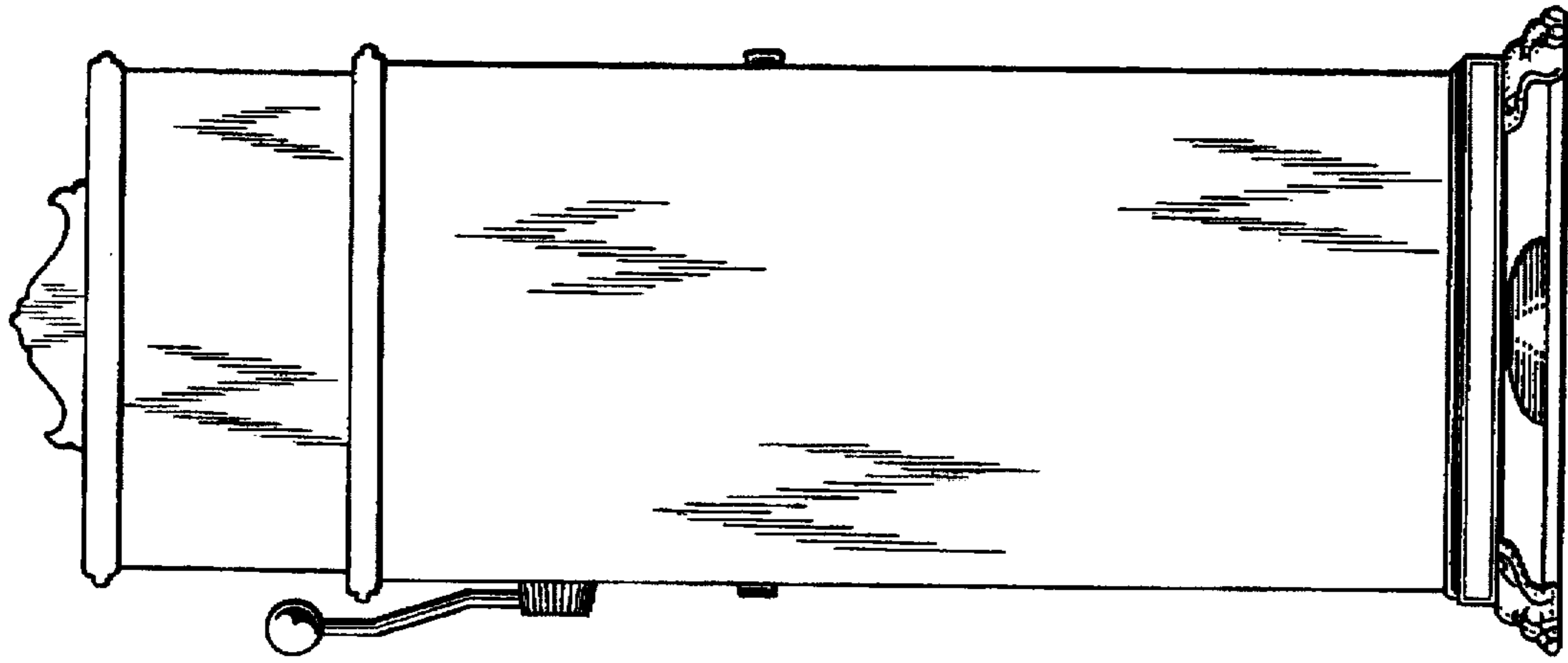


FIG. 5

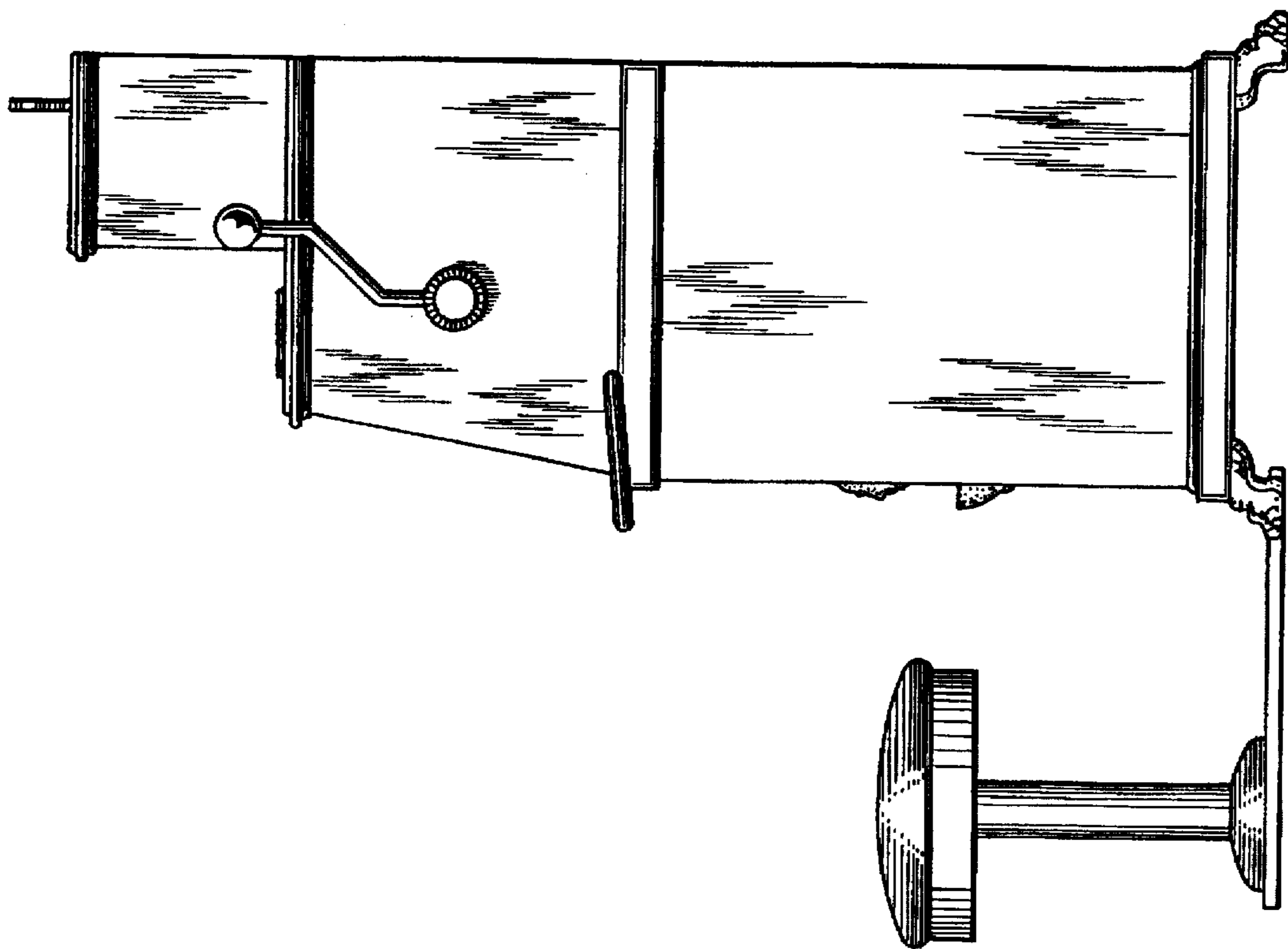


FIG. 4