



US00D384981S

United States Patent [19]

[11] Patent Number: Des. 384,981

Silver et al.

[45] Date of Patent: **Oct. 14, 1997

[54] CASH REGISTER GAME

[75] Inventors: **Thomas L. Silver**, Daytona Beach;
Victor Dimichina, So. Daytona;
Stephen N. Edwards, Daytona Beach;
Theodore R. Sloan, Ormond Beach, all
of Fla.

D. 280,836	10/1985	Ludzia et al.	D21/13
D. 360,900	8/1995	Lankiewicz	D21/10
D. 364,755	12/1995	Suarez	D21/13 X
D. 369,176	4/1996	Masuda	D18/4
4,553,748	11/1985	Allen et al.	463/46 X
5,511,794	4/1996	Katamoto	273/440

OTHER PUBLICATIONS

[73] Assignee: **Bob's Space Racers, Inc.**, Daytona Beach, Fla.

Sega Enterprise Ltd 1994, 2 pages.
Vending Times, Jan. 1984, p. 57.

[**] Term: **14 Years**

Primary Examiner—Prabhakar G. Deshmukh
Attorney, Agent, or Firm—Larson & Larson, P.A.; James E. Larson

[21] Appl. No.: **60,061**

[57] CLAIM

[22] Filed: **Sep. 20, 1996**

The ornamental design for a cash register game, as shown and described.

[51] LOC (6) Cl. **21-01**

[52] U.S. Cl. **D21/13**

[58] Field of Search D21/1, 13, 48,
D21/240; 463/1, 2, 30, 31, 46, 47, 25;
273/278, 440; 364/405; 235/1 B, 7 R; D18/3,
4

DESCRIPTION

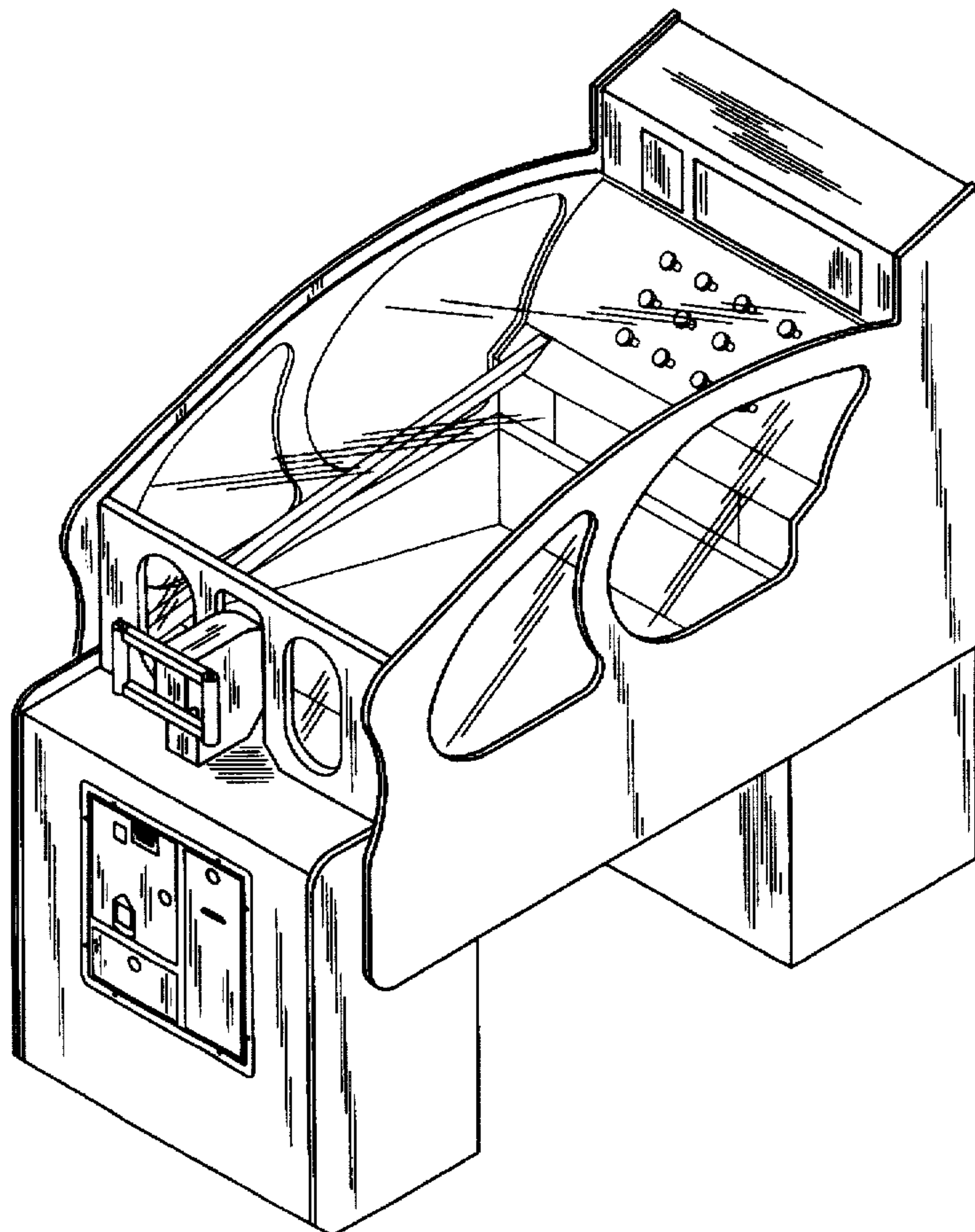
FIG. 1 is a perspective view of our cash register game showing our new design;
FIG. 2 is a front view thereof;
FIG. 3 is a rear view thereof;
FIG. 4 is a right side elevational view thereof;
FIG. 5 is a left side elevational view thereof;
FIG. 6 is a top plan view thereof; and,
FIG. 7 is a bottom plan view thereof.

[56] References Cited

U.S. PATENT DOCUMENTS

D. 261,782 11/1981 Muir D21/13 X
D. 272,920 3/1984 Wichinsky et al. D21/13

1 Claim, 4 Drawing Sheets



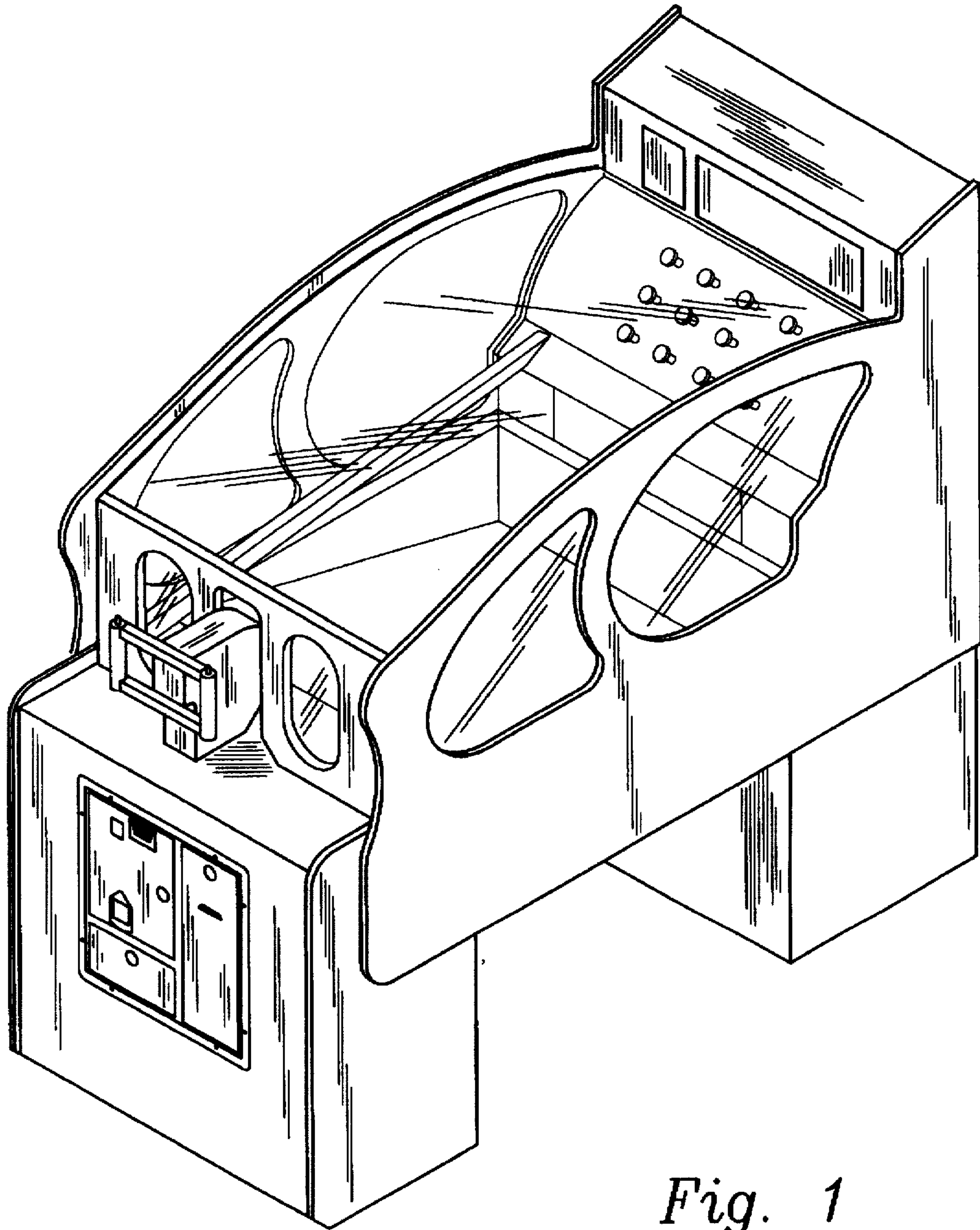


Fig. 1

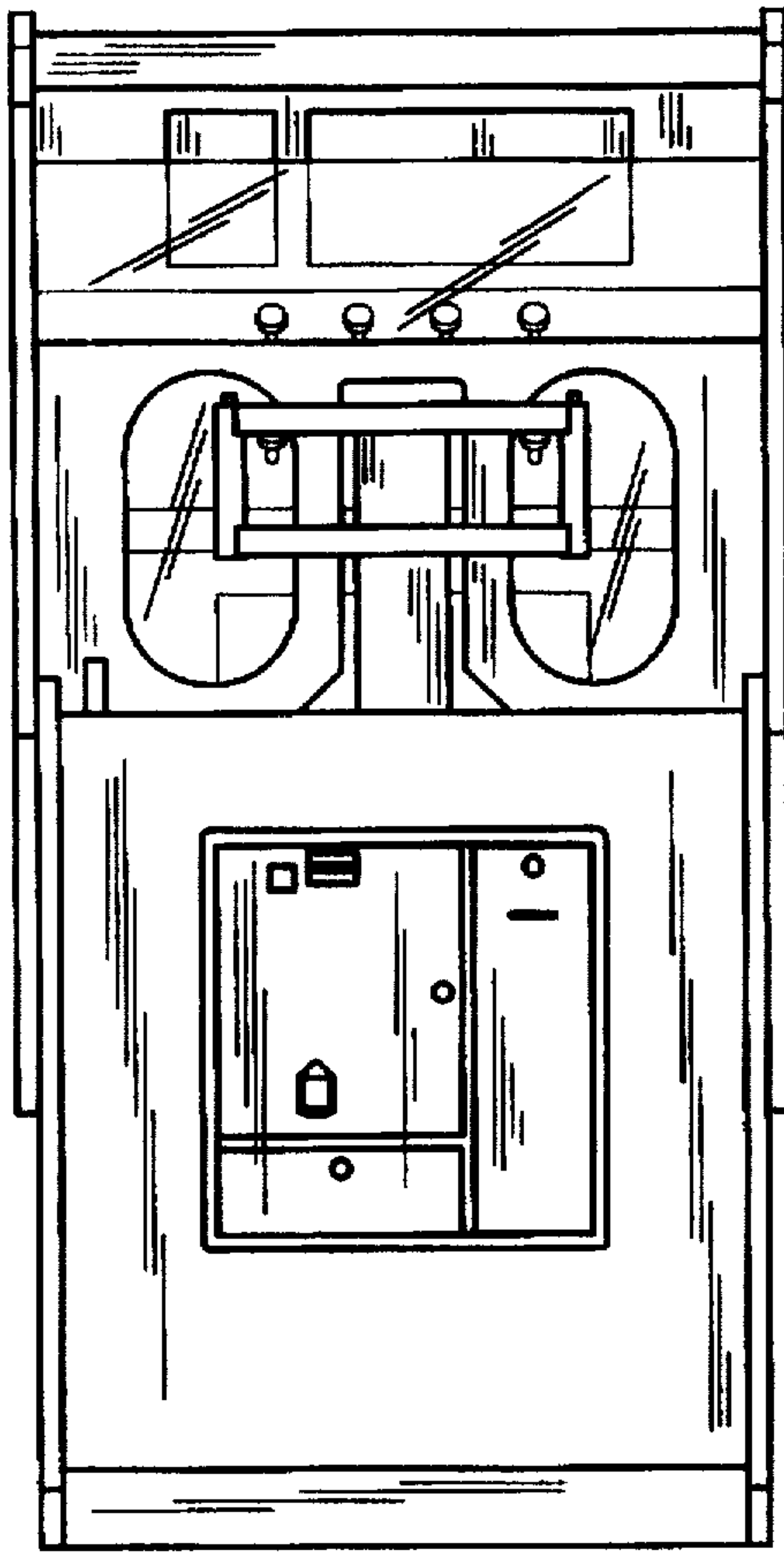


Fig. 2

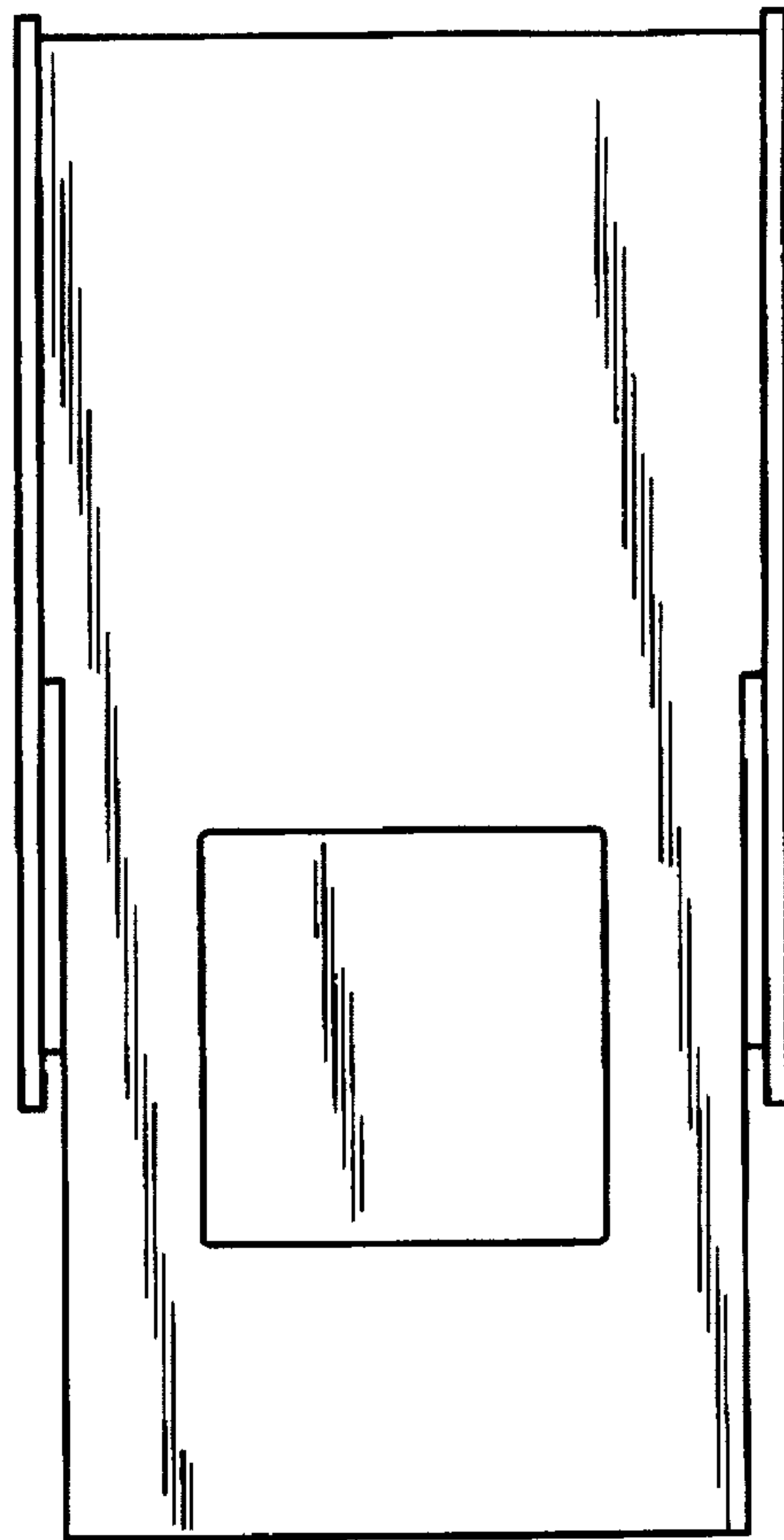
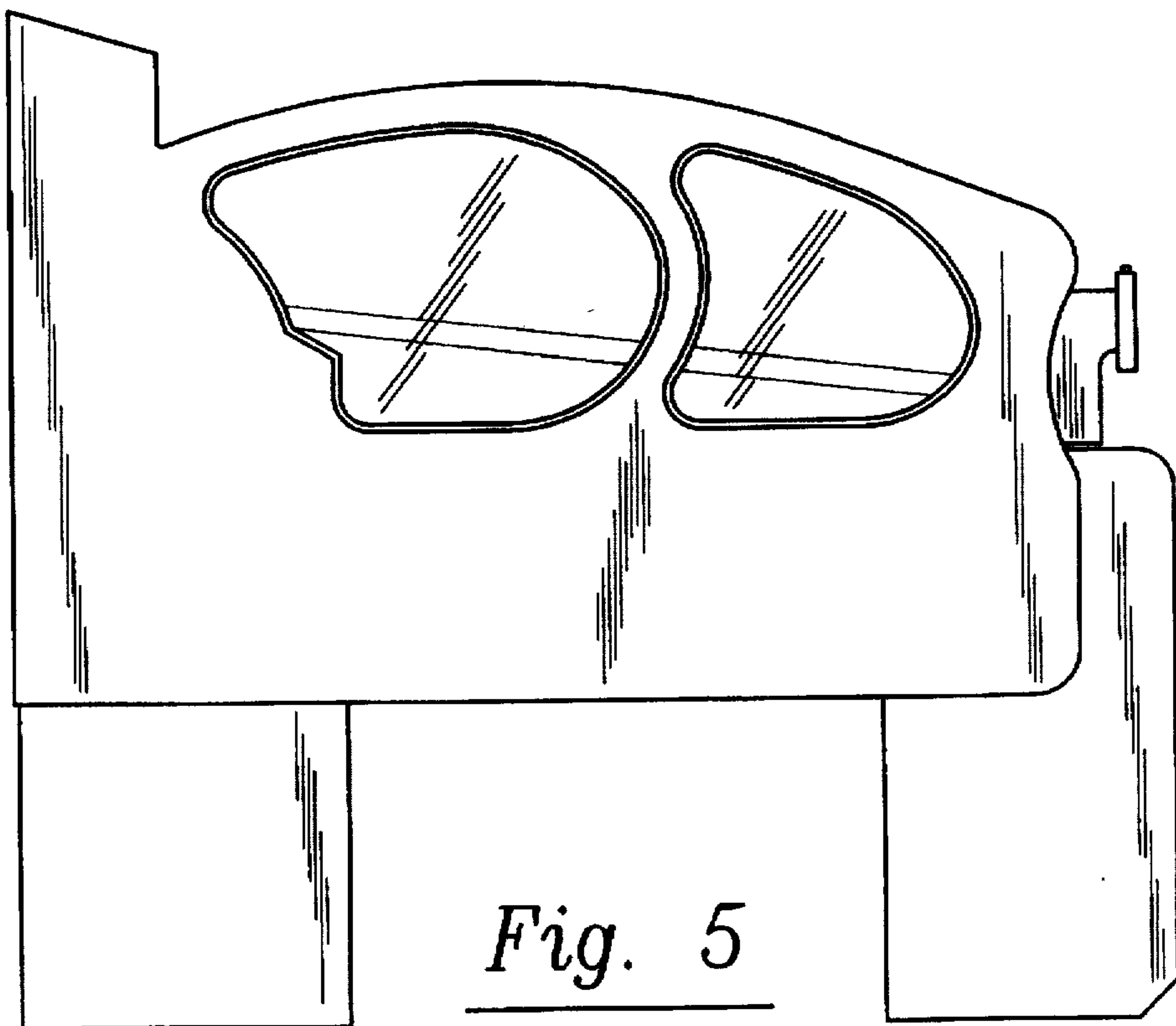
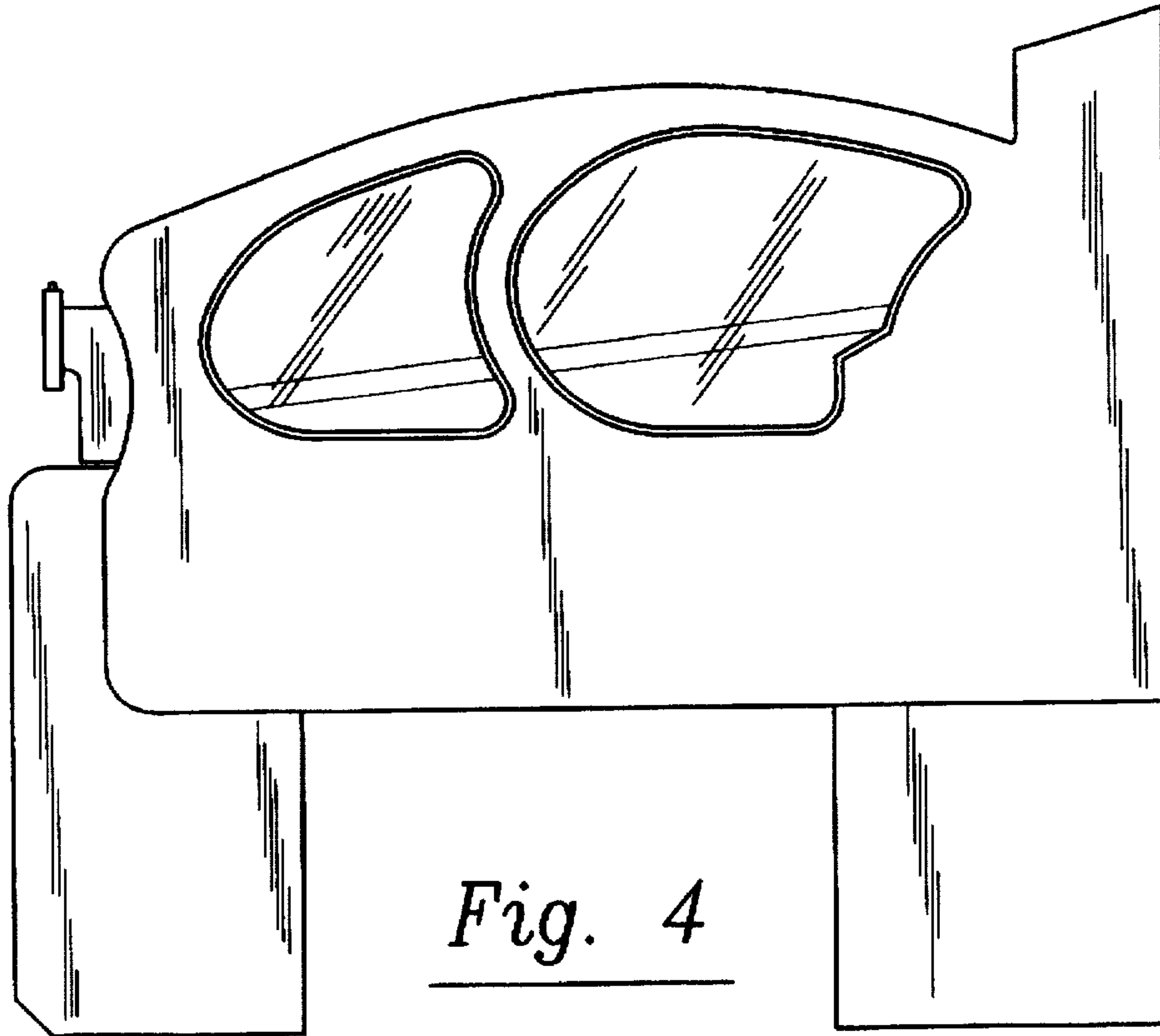


Fig. 3



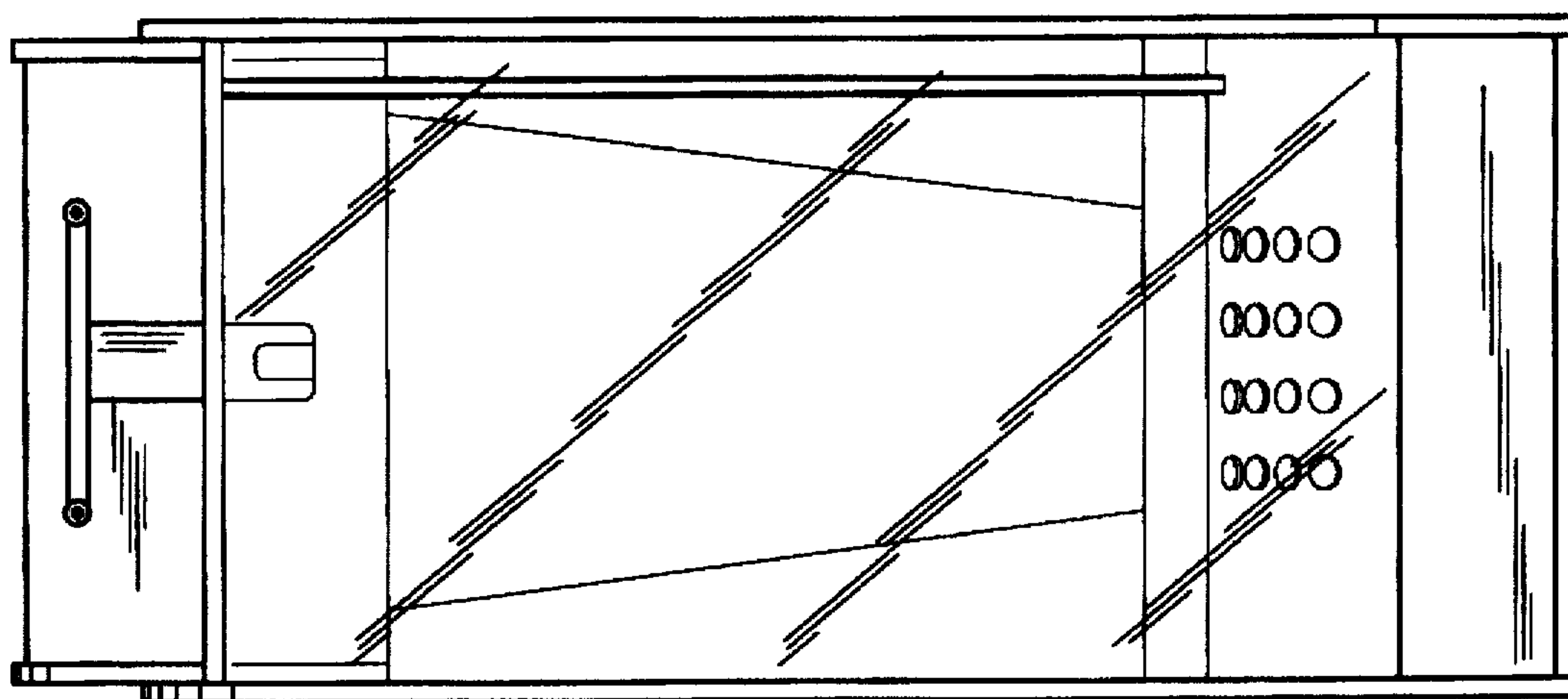


Fig. 6

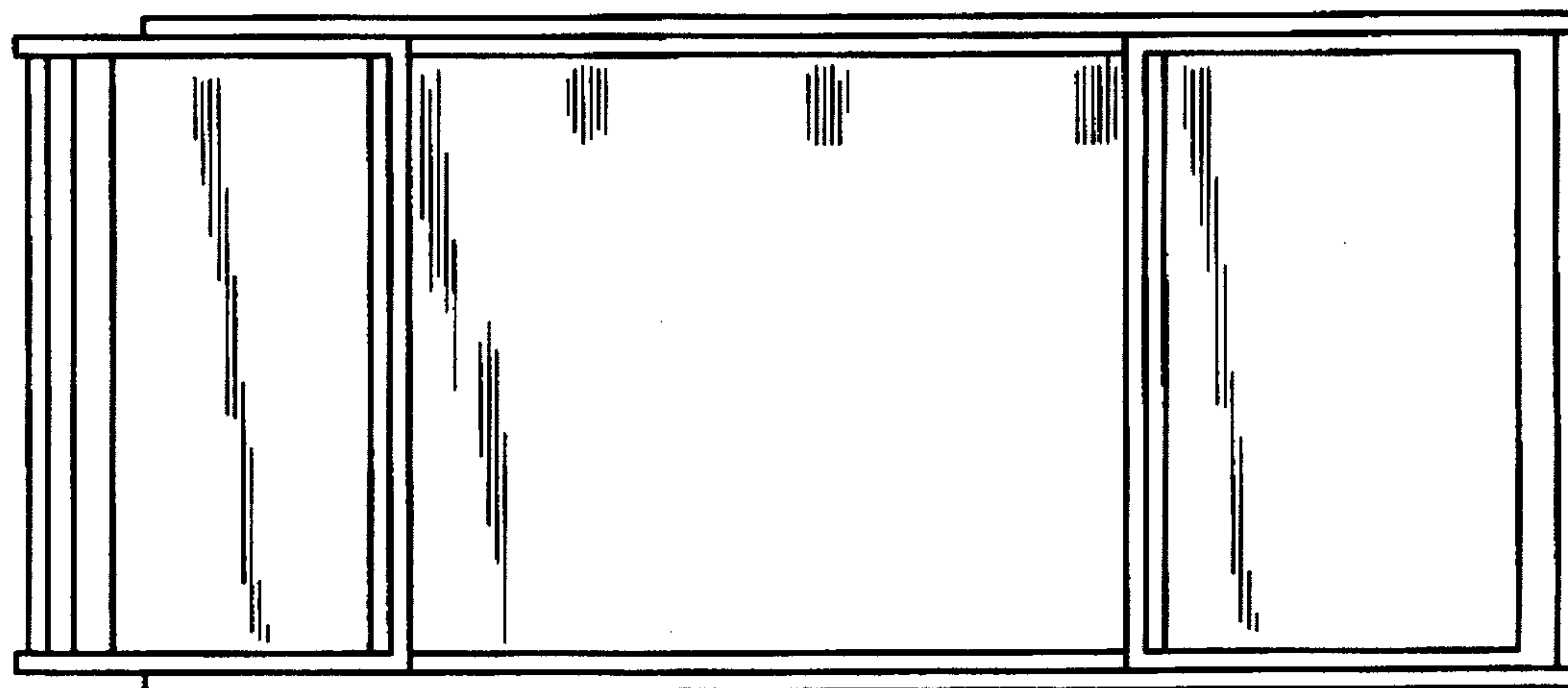


Fig. 7