

US00D384980S

United States Patent [19]

Willems et al.

[11] Patent Number: **Des. 384,980**

[45] Date of Patent: ****Oct. 14, 1997**

[54] **HAND HELD GAME BOARD**
[75] Inventors: **Paul F. Willems**, Green Bay, Wis.;
Robert C. Silzer, Jr., Langley, Canada

[73] Assignee: **Advanced Gaming Technology, Inc.**,
Vancouver, Canada

[**] Term: **14 Years**

[21] Appl. No.: **59,345**

[22] Filed: **Sep. 9, 1996**

[51] LOC (6) Cl. **21-01**

[52] U.S. Cl. **D21/13**

[58] Field of Search **D21/13, 48, 1;**
273/148 B; 463/30-35, 46, 47, 1; D14/124,
125, 114, 217

[56] **References Cited**

U.S. PATENT DOCUMENTS

D. 347,450	5/1994	Nagata et al.	D21/13
D. 349,929	8/1994	Lee	D21/13
D. 362,692	9/1995	Rissman et al.	D21/13
D. 366,067	1/1996	Mowrey	D21/13

5,046,739	9/1991	Reichow	273/148 B
5,184,830	2/1993	Okada et al.	463/46
5,213,327	5/1993	Kitae	273/148 B

OTHER PUBLICATIONS

HongKong Enterprise, Oct. 1994, p. 145.

HongKong Enterprise, Oct. 1992, p. 174.

Primary Examiner—Prabhakar G. Deshmukh

Attorney, Agent, or Firm—Fitch, Even, Tabin & Flannery

[57] **CLAIM**

The ornamental design for the hand held game board, as shown and described.

DESCRIPTION

FIG. 1 is a perspective view of a hand held game board showing our new design;

FIG. 2 is a top plan view thereof;

FIG. 3 is a bottom plan view thereof;

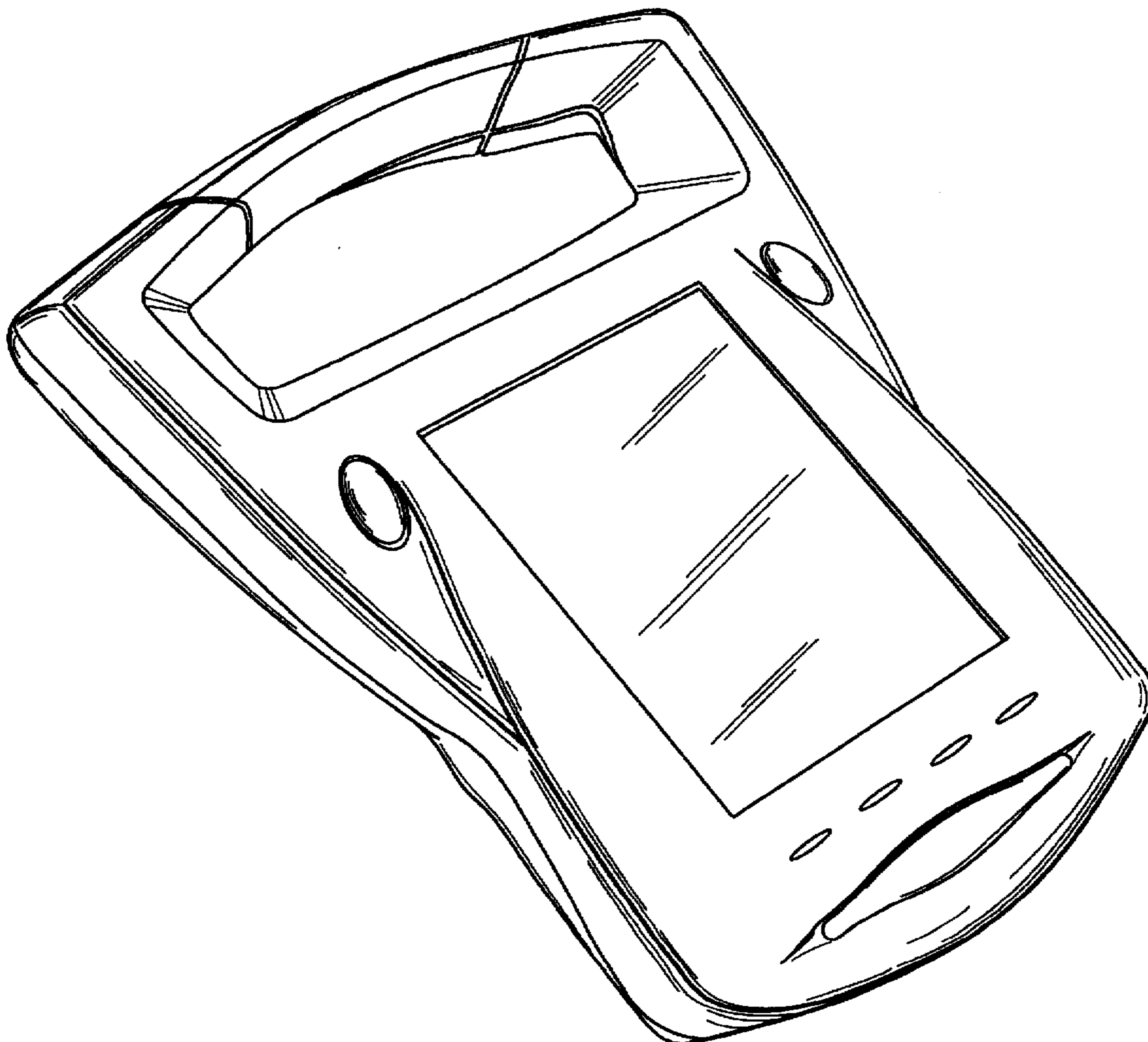
FIG. 4 is a side elevational view thereof;

FIG. 5 is a side elevational view thereof;

FIG. 6 is a rear elevational view thereof; and,

FIG. 7 is a front elevational view thereof.

1 Claim, 4 Drawing Sheets



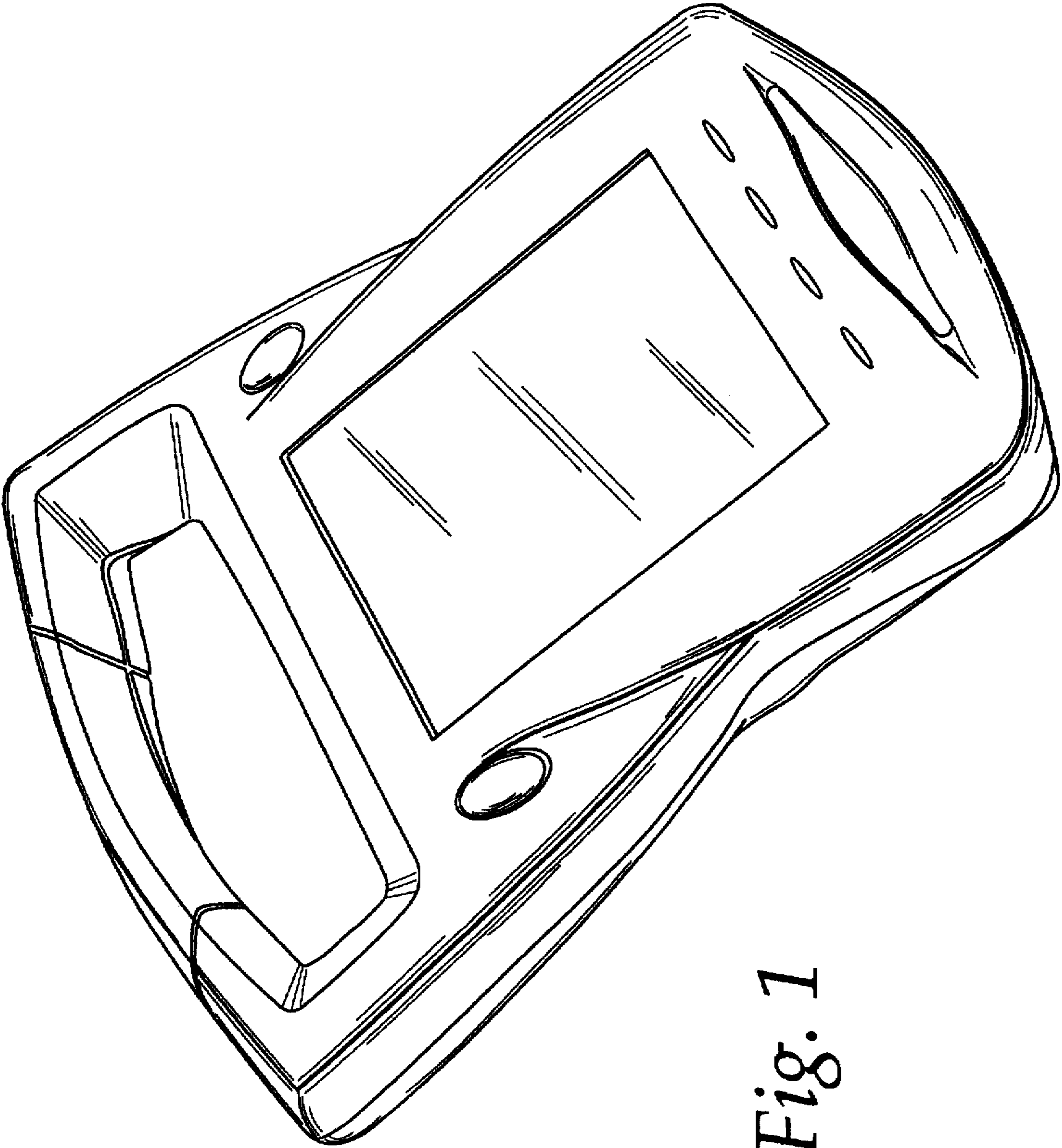


Fig. 1

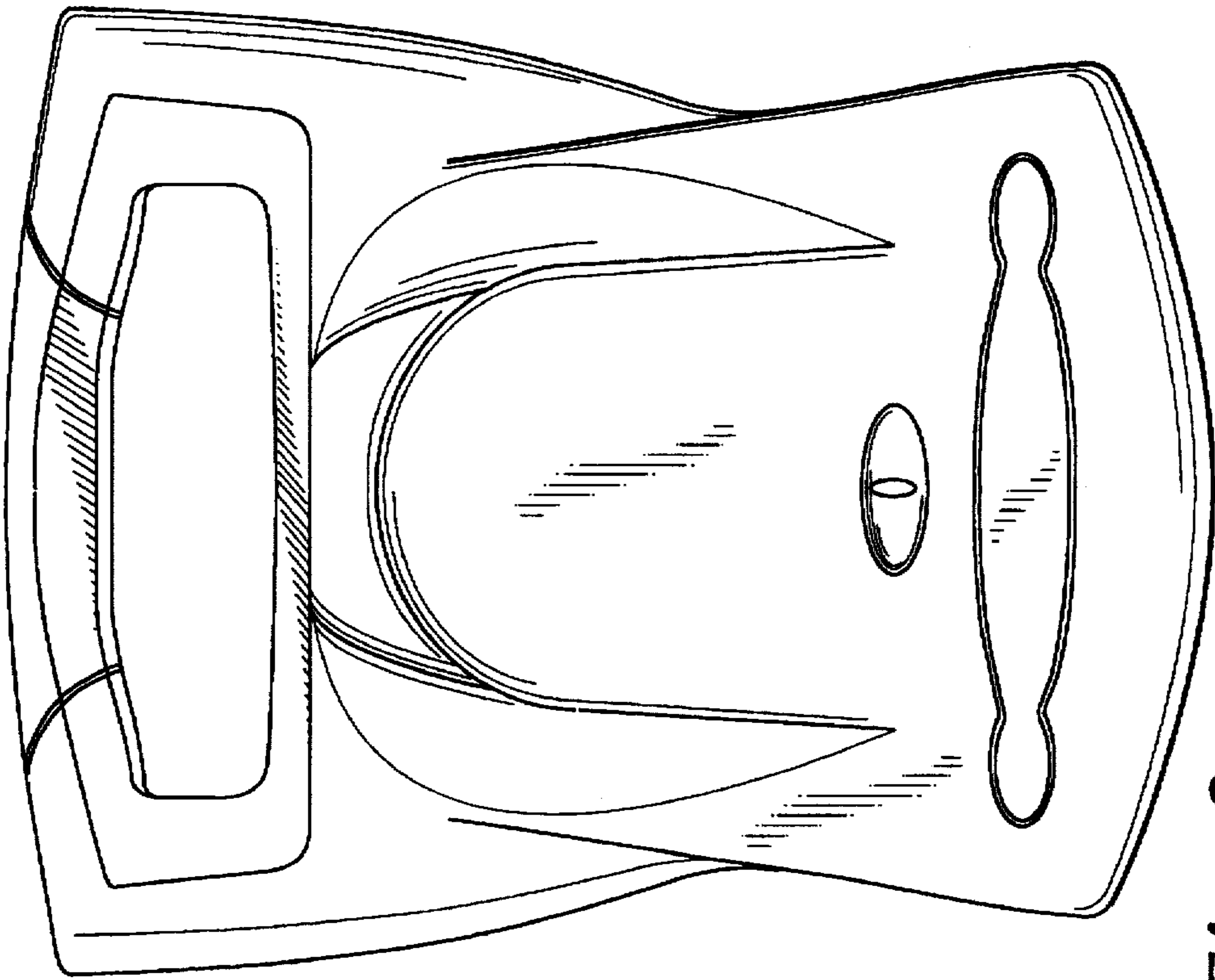


Fig. 3

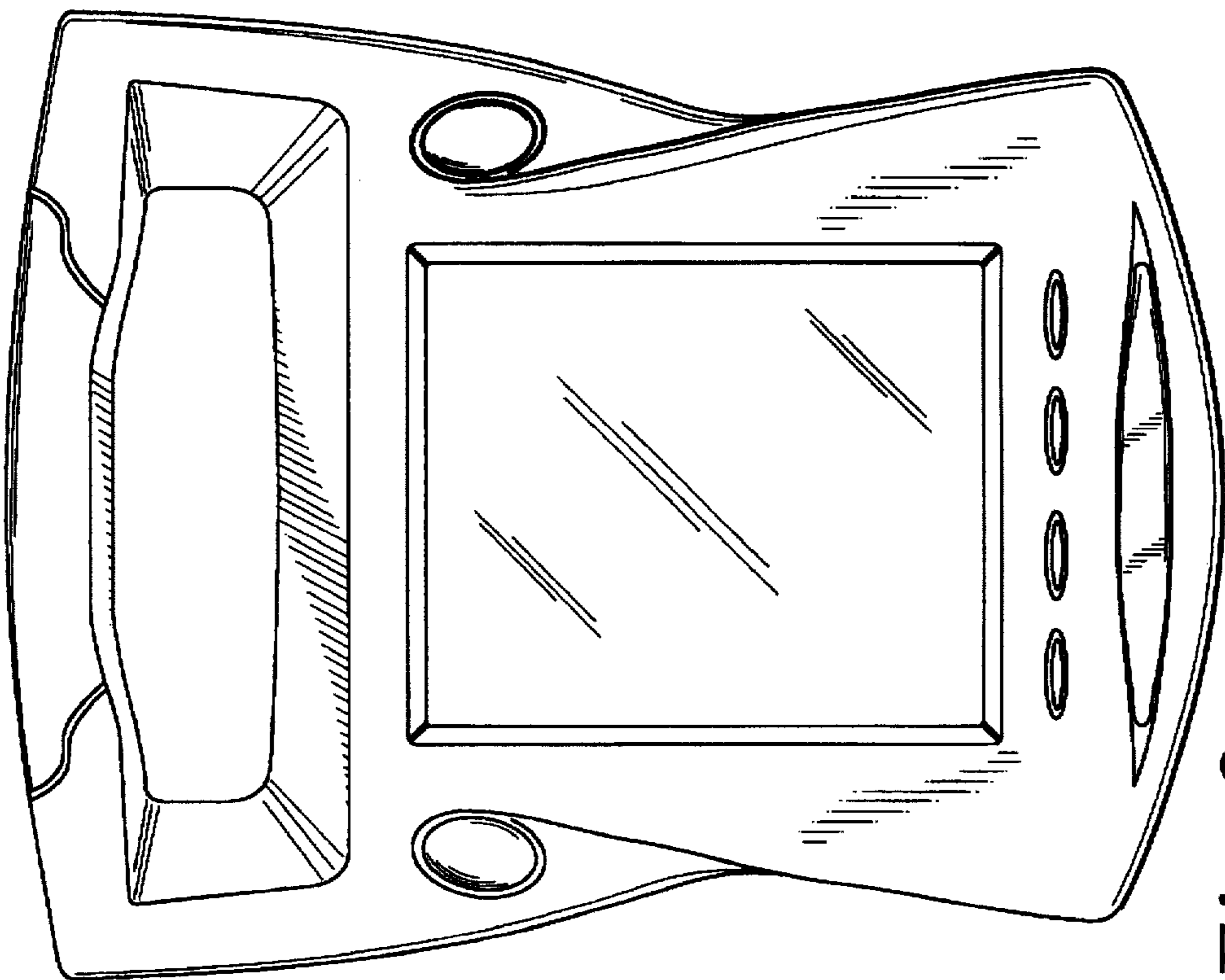


Fig. 2

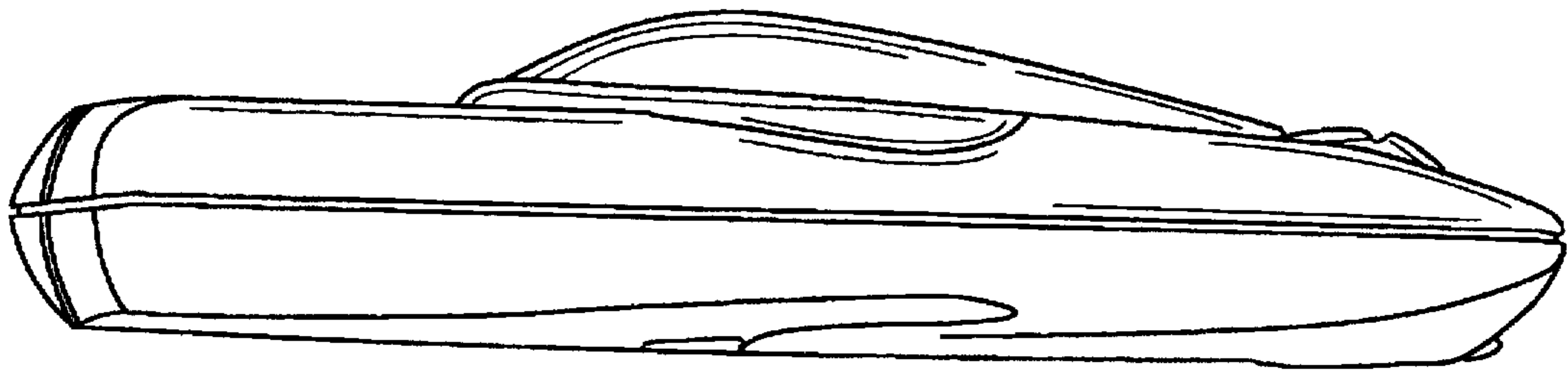


Fig. 5

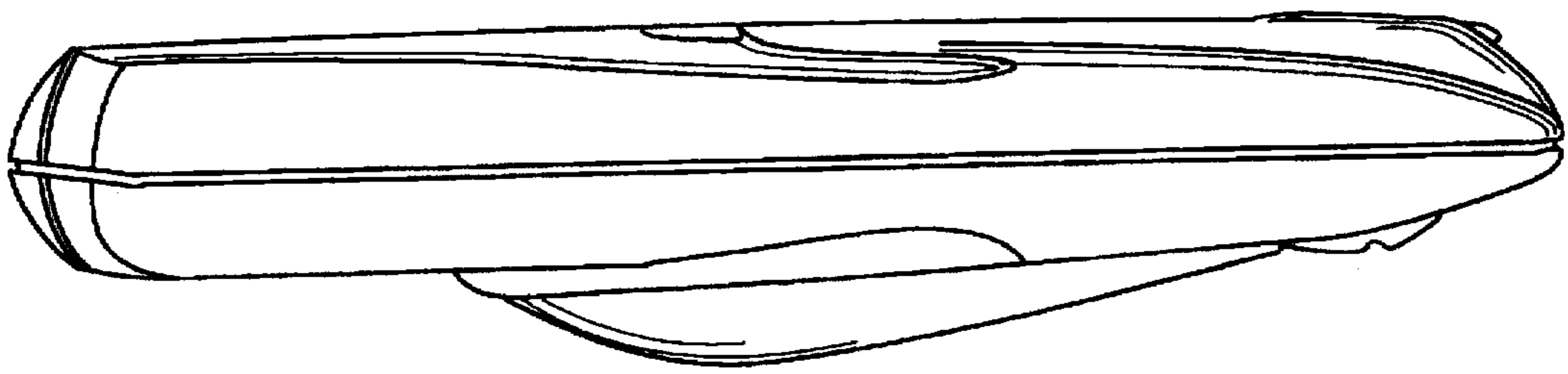


Fig. 4

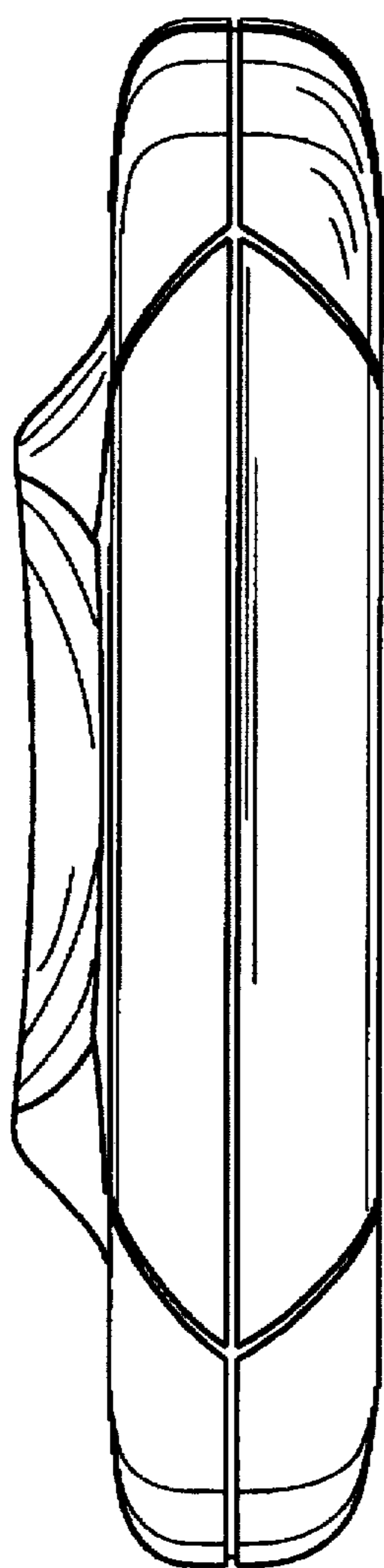


Fig. 6

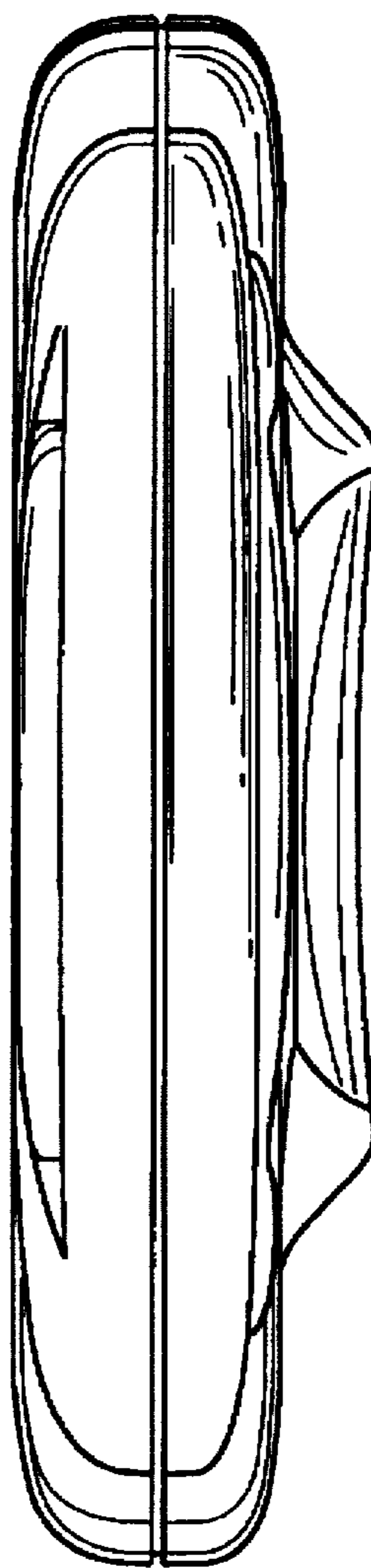


Fig. 7