



US00D384979S

United States Patent [19]

[11] Patent Number: Des. 384,979

Greene, Jr.

[45] Date of Patent: **Oct. 14, 1997

[54] BANNER HOLDER

5,083,390 1/1992 Edman 40/606

[76] Inventor: George J. Greene, Jr., 19970 Holly Hills Dr., LaRue, Tex. 75770-9756

Primary Examiner—Susan J. Lucas
Assistant Examiner—Jennifer Register
Attorney, Agent, or Firm—C. W. Alworth

[**] Term: 14 Years

[57] CLAIM

[21] Appl. No.: 41,710

The ornamental design for a banner holder, as shown and described.

[22] Filed: Jul. 21, 1995

DESCRIPTION

[51] LOC (6) Cl. 20-02

[52] U.S. Cl. D20/41

[58] Field of Search D20/10, 41, 40,
D20/99, 12; 40/606, 624, 604, 603; 116/63 P;
D11/181, 166; D6/332

FIG. 1, is an isometric view of my banner holder, showing the new design;

FIG. 2, is a front view of my banner holder with the rear view being a mirror image, showing the new design;

FIG. 3, is a side elevational view of my banner holder, showing the new design;

FIG. 4, is a top view of my banner holder, showing the new design; and,

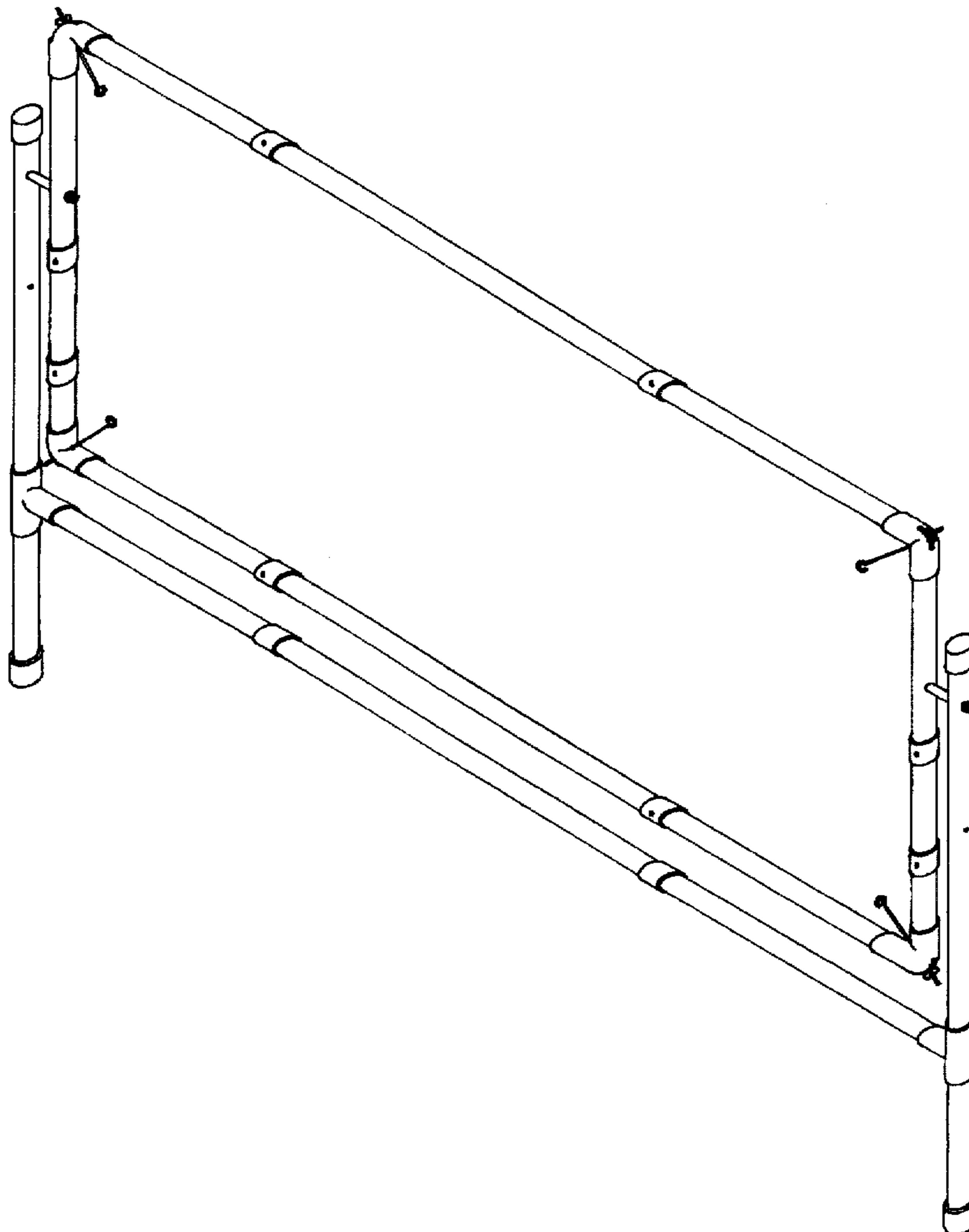
FIG. 5, is a bottom view of my banner holder, showing the new design.

[56] References Cited

U.S. PATENT DOCUMENTS

D. 279,942	8/1985	Vasquez et al.	D6/332
1,781,277	11/1930	Gammeter	40/606 X
2,865,124	12/1958	Mortellito	D20/41 X
3,868,630	2/1975	Lesondak	116/63 P X
4,254,569	3/1981	Janik	40/606

1 Claim, 5 Drawing Sheets



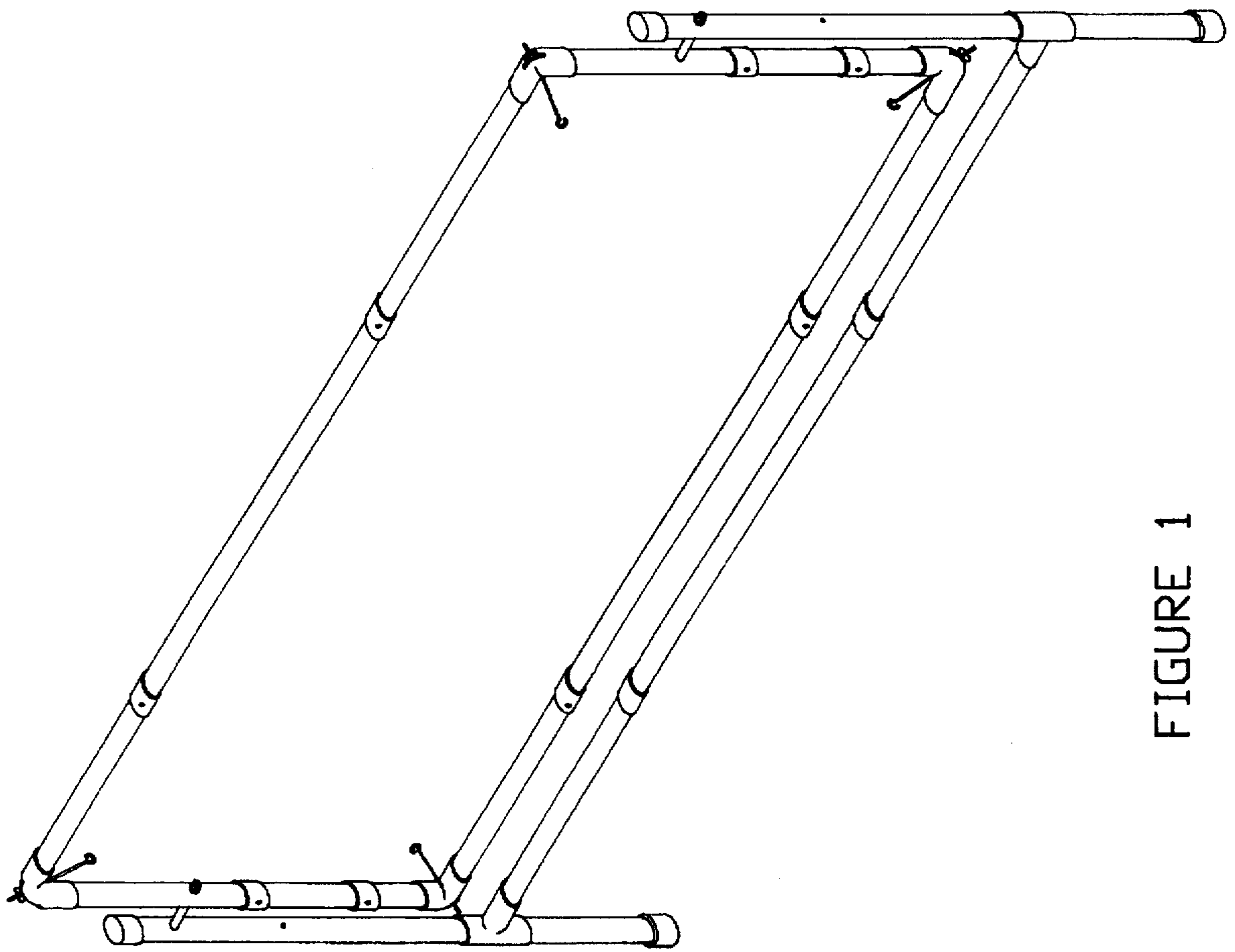


FIGURE 1

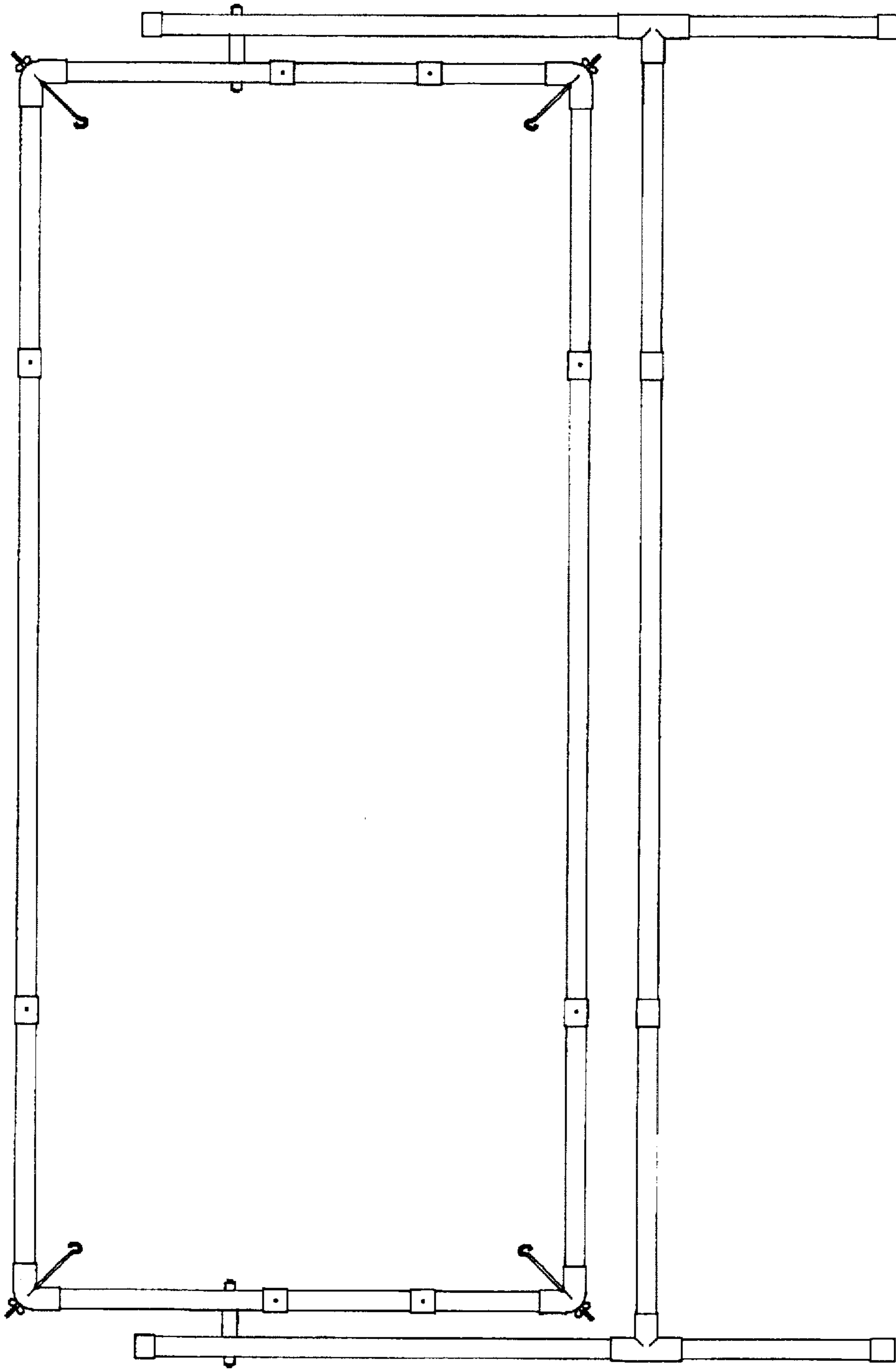


FIGURE 2

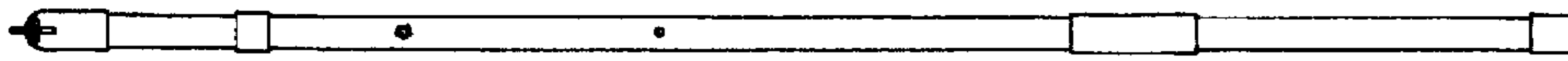


FIGURE 3



FIGURE 4



FIGURE 5