



US00D384974S

# United States Patent [19]

[11] Patent Number: **Des. 384,974**

Sawano

[45] Date of Patent: **\*\*Oct. 14, 1997**

## [54] STATIONERY KIT

[75] Inventor: **Kazuyo Sawano, Kyoto, Japan**

[73] Assignee: **Kyoto Measuring Instruments Corp., Japan**

[\*\*] Term: **14 Years**

[21] Appl. No.: **34,628**

[22] Filed: **Feb. 9, 1995**

[51] LOC (6) Cl. .... **19-02**

[52] U.S. Cl. .... **D19/65; D8/105; D8/98**

[58] Field of Search ..... **D3/206; D19/65, D19/77, 78, 81-85, 75; D8/105, 106, 107; 30/154, 252, 254, 255, 162**

## [56] References Cited

### U.S. PATENT DOCUMENTS

D. 302,026	7/1989	Tu	.....	D19/75
D. 302,102	7/1989	Amagaya	.....	D8/105
D. 308,462	6/1990	Komatsu	.....	D8/105
D. 318,070	7/1991	Amagaya	.....	D19/65
D. 321,637	11/1991	Chan	.....	D8/105
1,200,079	10/1916	Christensen et al.	.....	7/118
4,591,056	5/1986	Groch	.....	D6/214 X
4,783,867	11/1988	Tsao	.....	7/160
4,791,725	12/1988	Amagaya	.....	30/154

Primary Examiner—Martie Thompson

Attorney, Agent, or Firm—Rader, Fishman & Grauer PLLC

## [57] CLAIM

The ornamental design for stationary kit, as shown and described.

## DESCRIPTION

FIG. 1 is a perspective view of a stationery kit in an exploded condition showing my new design;  
 FIG. 2 is a perspective view of the scissors extended from the holder thereof;  
 FIG. 3 is a perspective view of the cutter extended from the holder thereof;  
 FIG. 4 is a perspective view of the rolling cutter extended from the holder thereof;  
 FIG. 5 is a perspective view of the scraper extended from the holder thereof;  
 FIG. 6 is an interior elevational view of the holder in an exploded condition, the implements removed for convenience of illustration;  
 FIG. 7 is a perspective view of the cutter extended from the holder thereof, the fragmentary ruler being shown for illustrative purposes only and forming no part of the claimed design;  
 FIG. 8 is a rear perspective view of the scraper element, the holder removed for convenience of illustration; and,  
 FIG. 9 is a perspective view of the scraper and a fragment of the cutter illustrating a portion of the cutter blade being removed.

1 Claim, 5 Drawing Sheets

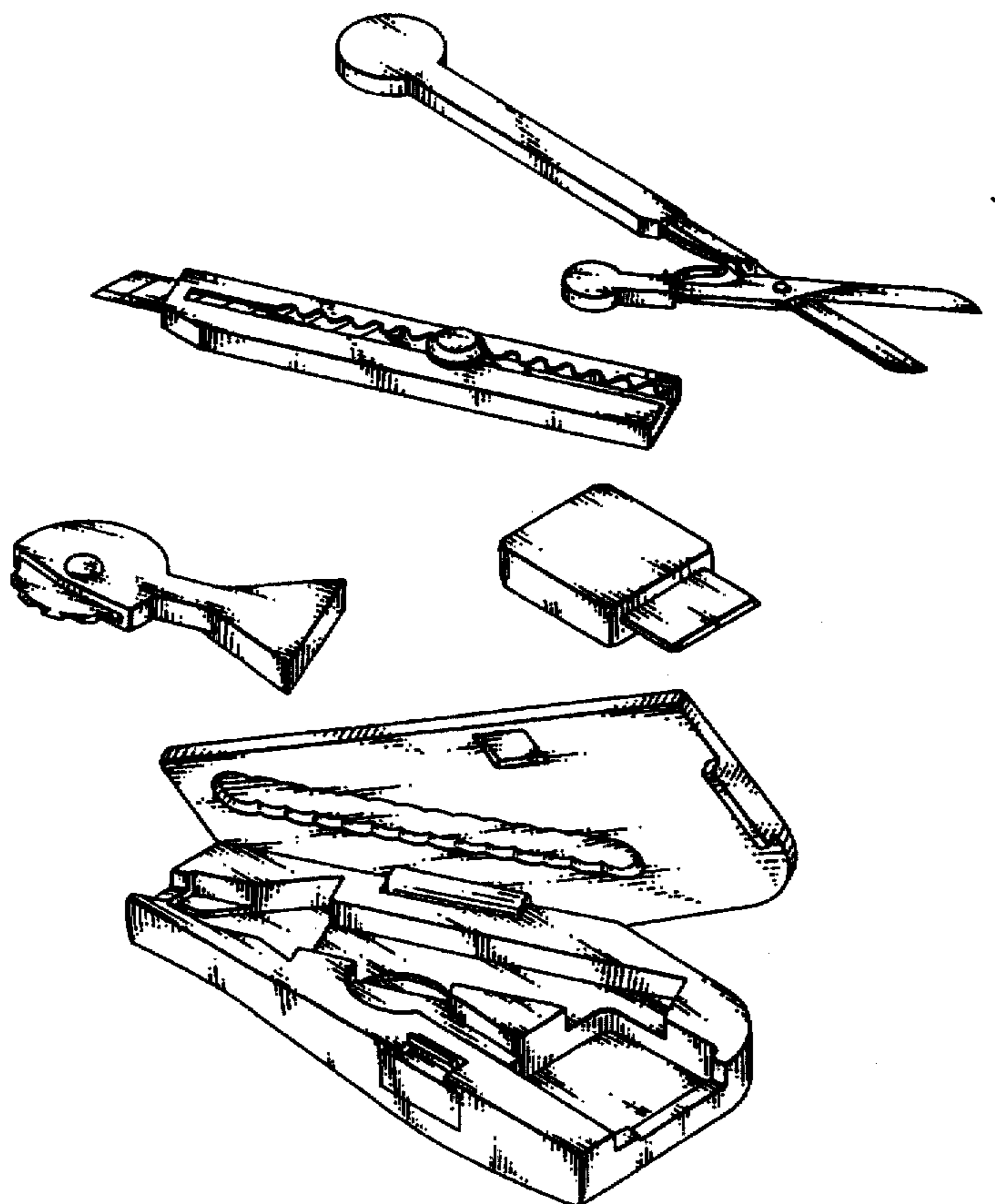
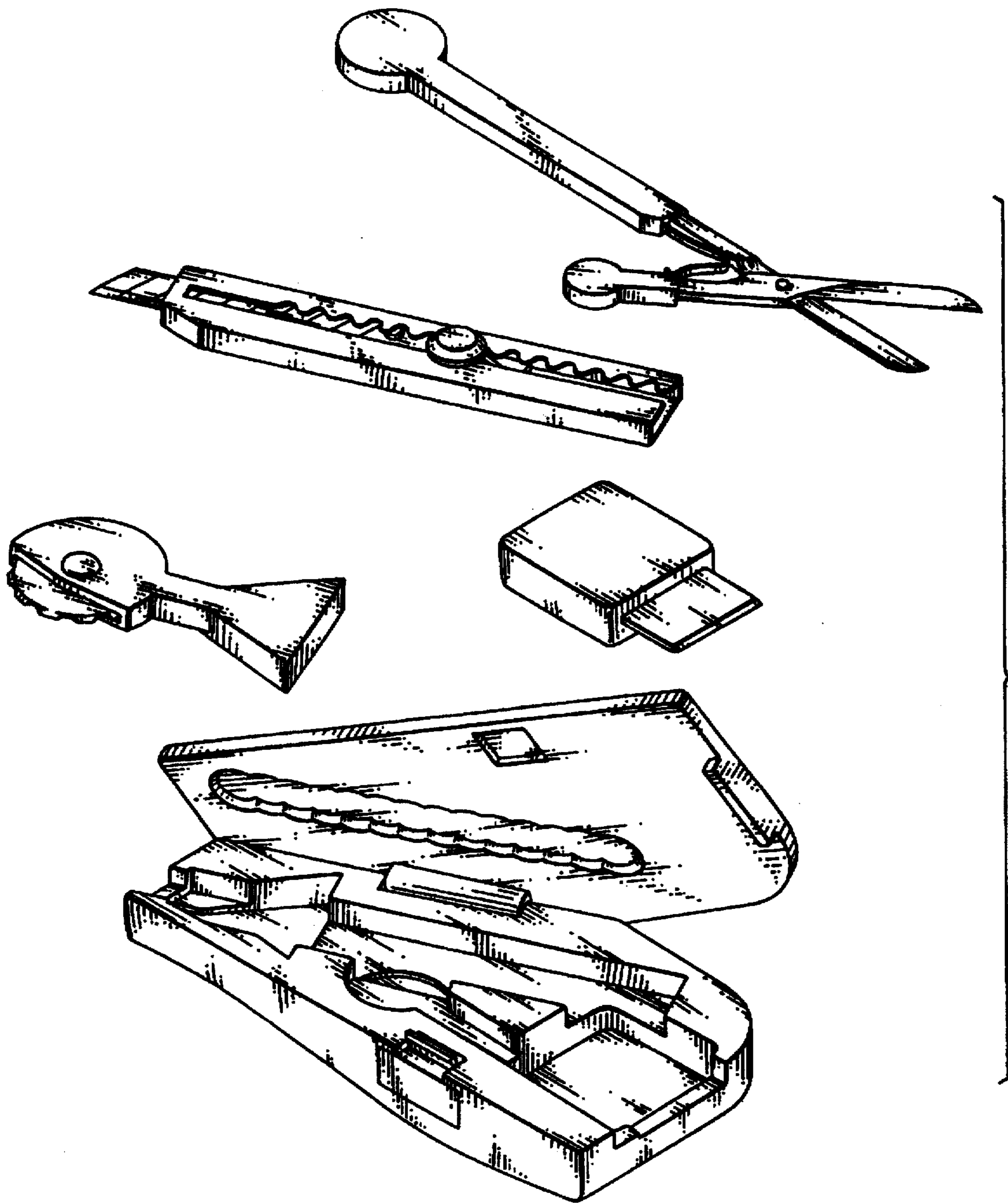


FIG. 1



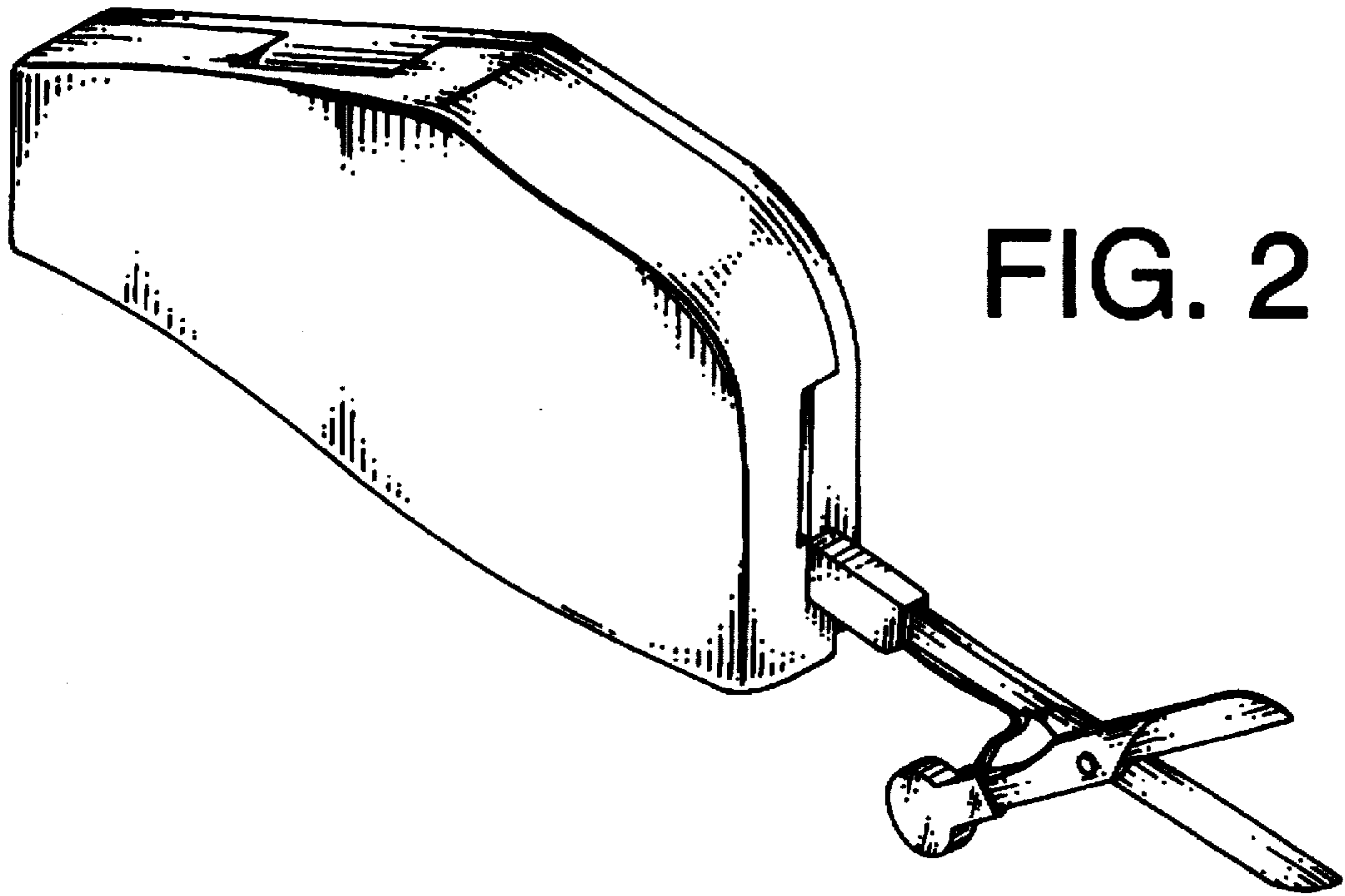


FIG. 2

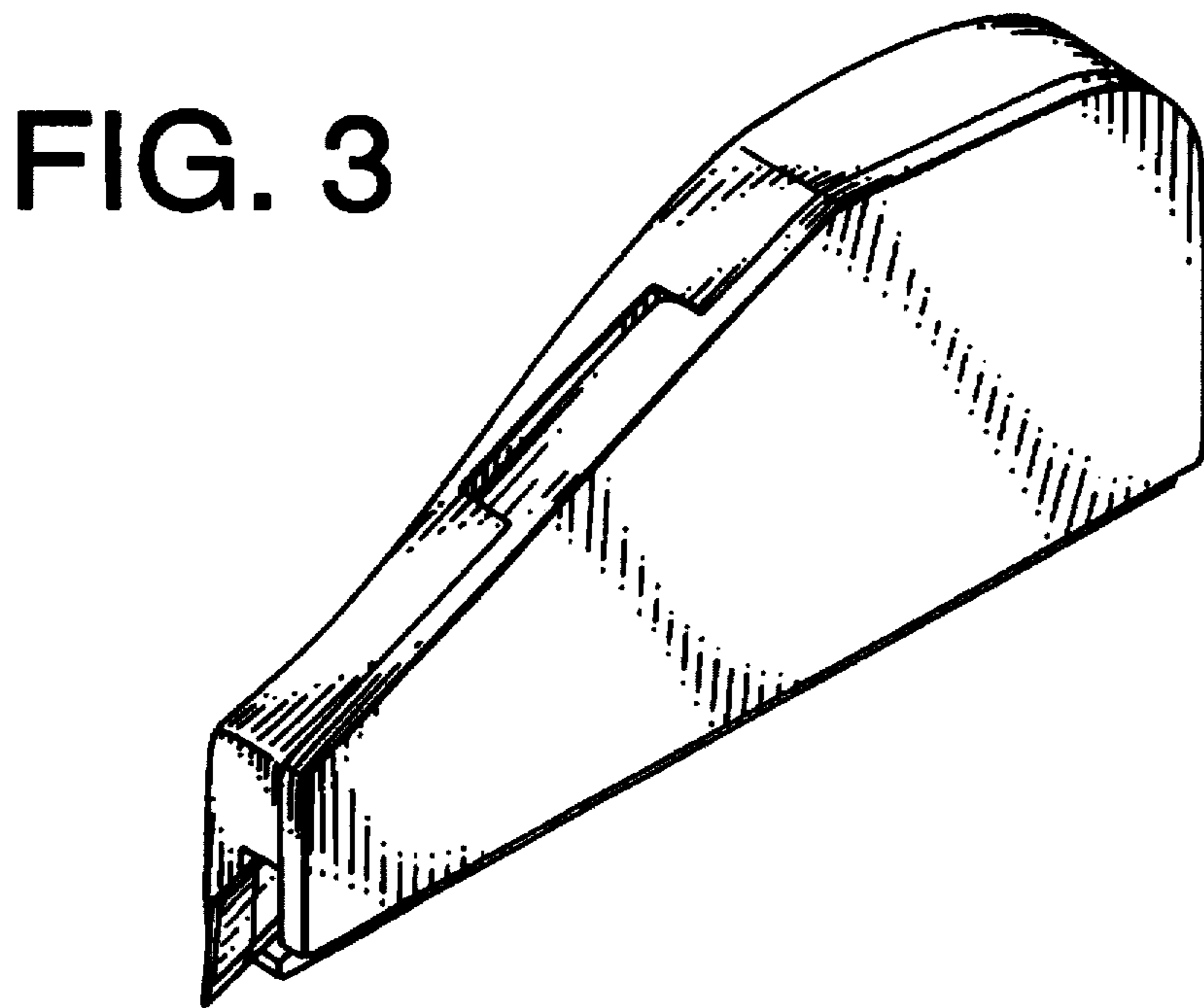


FIG. 3

FIG. 4

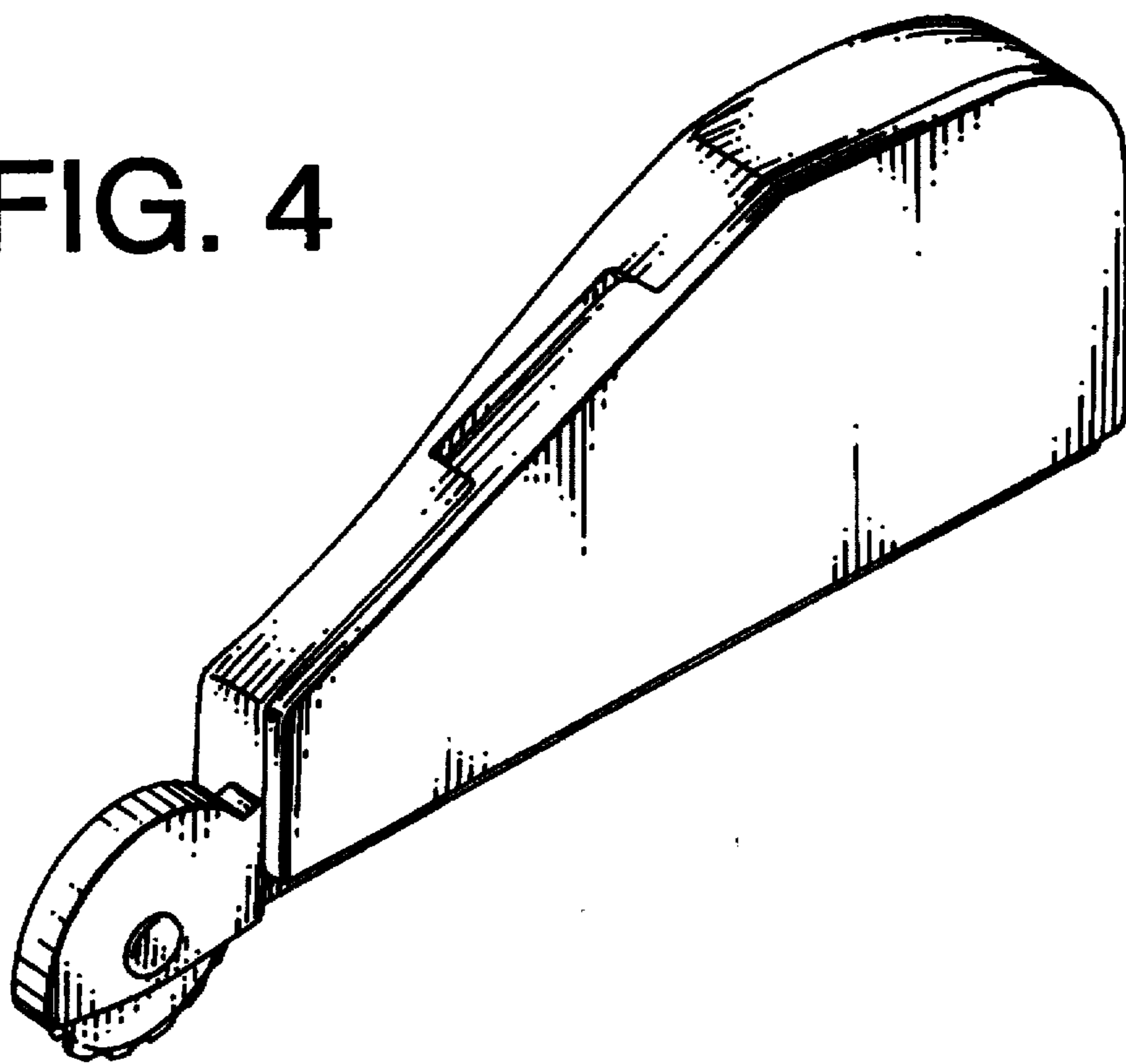
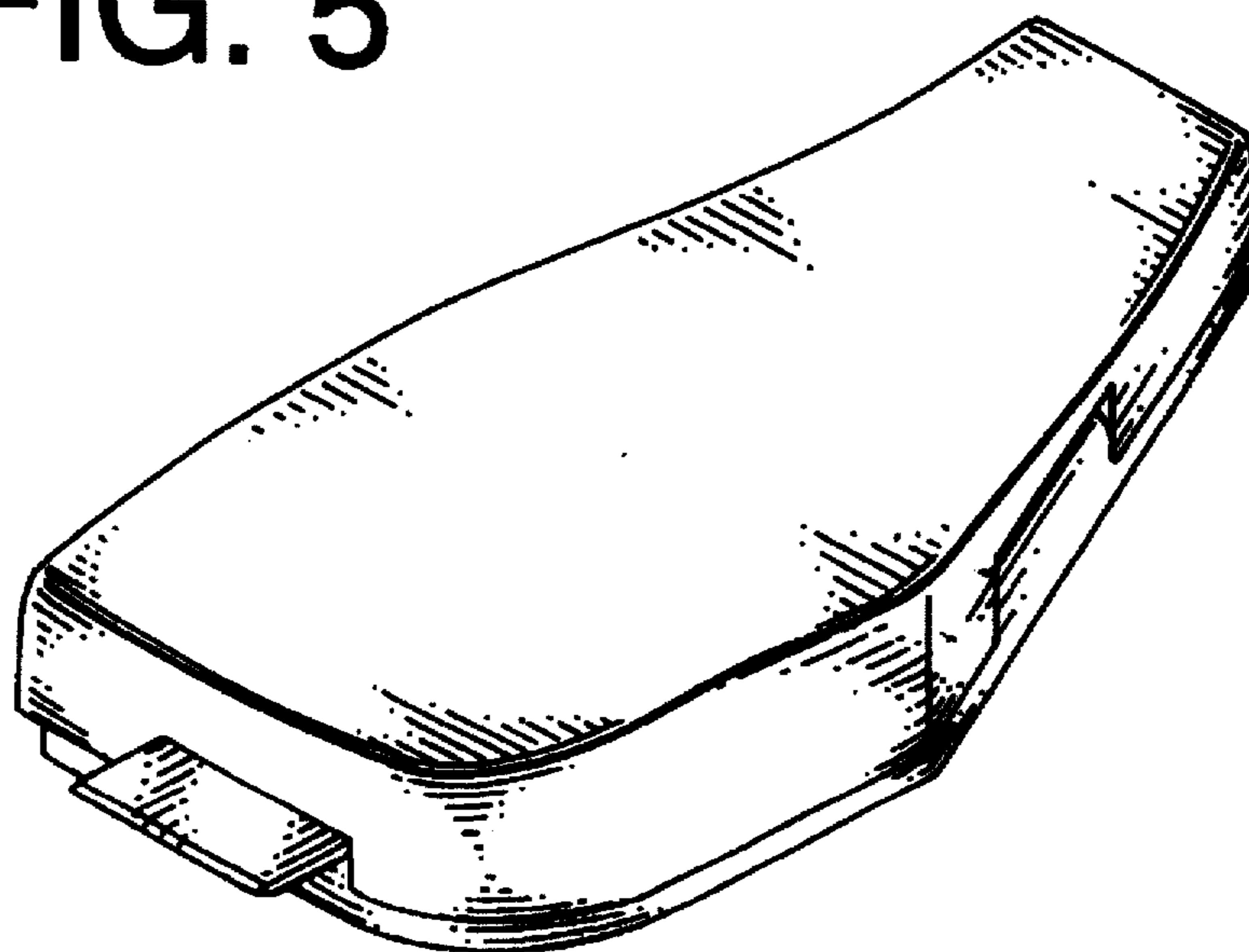


FIG. 5



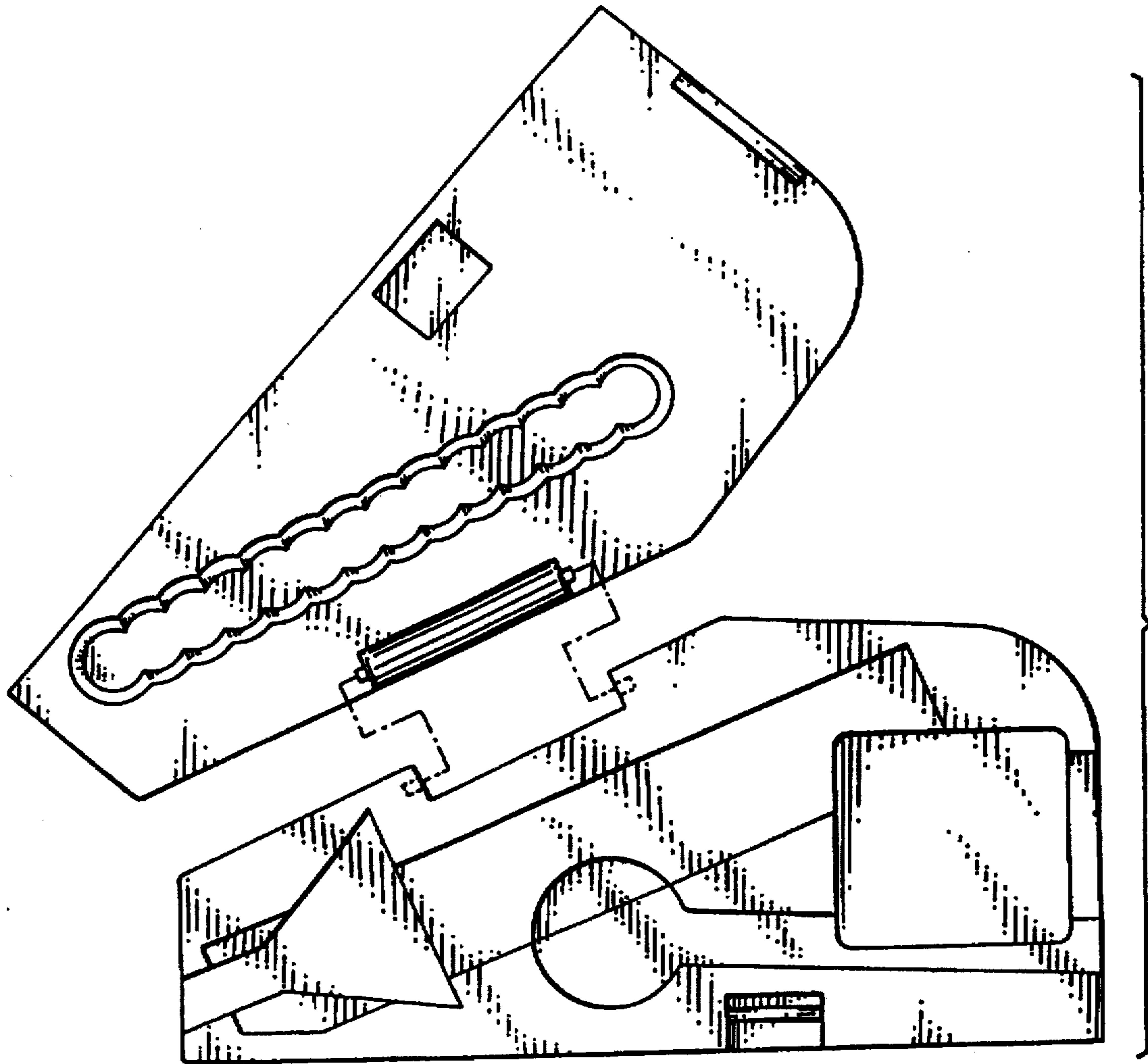


FIG. 6

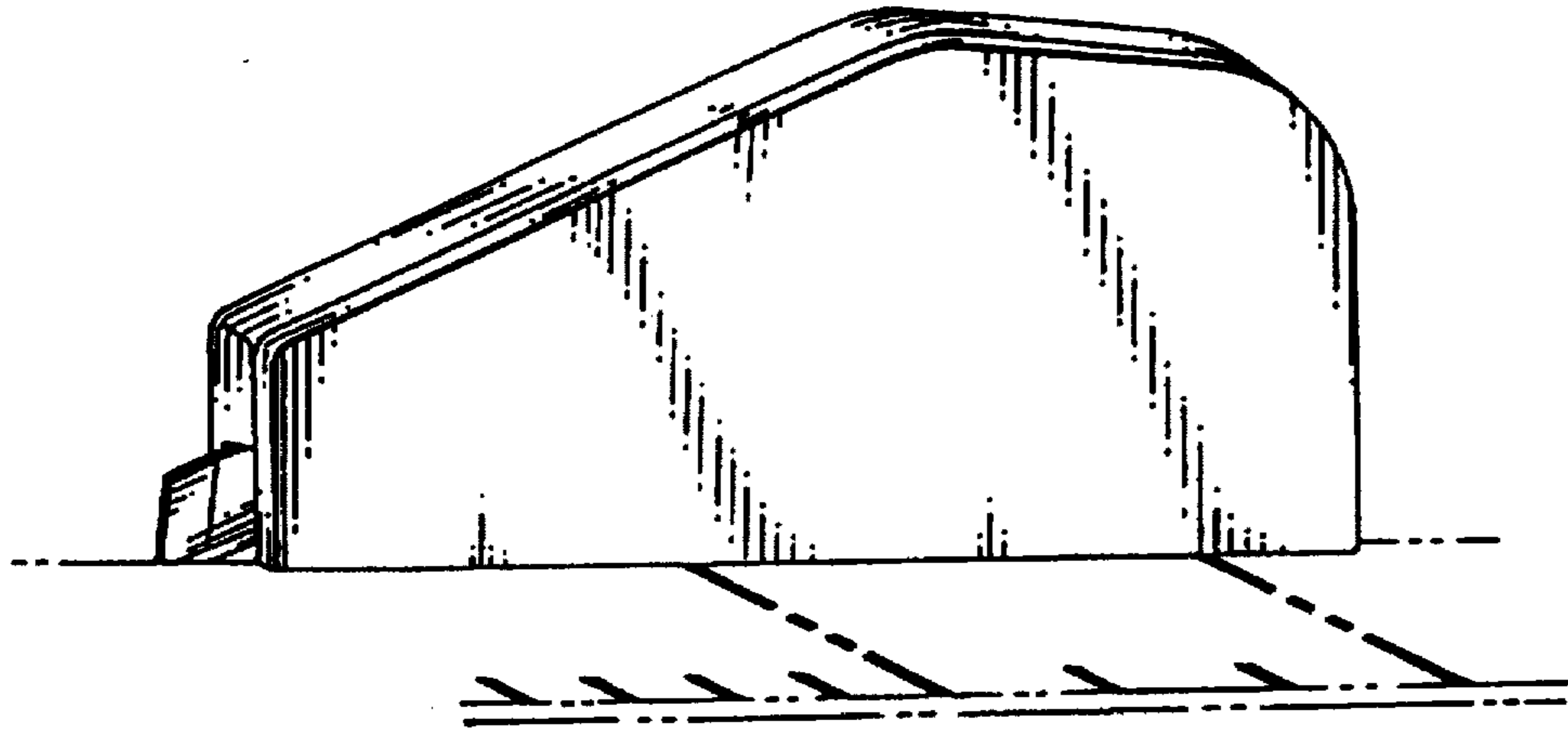


FIG. 7

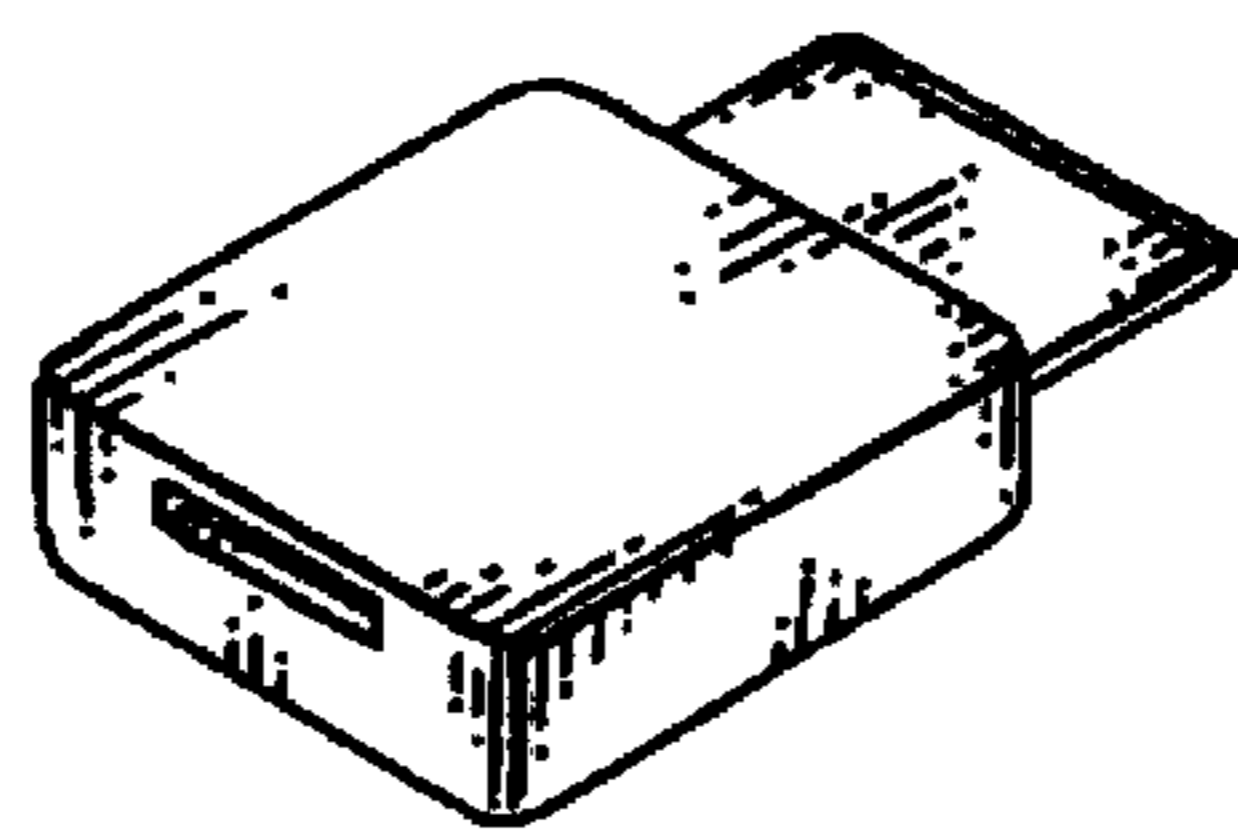


FIG. 8

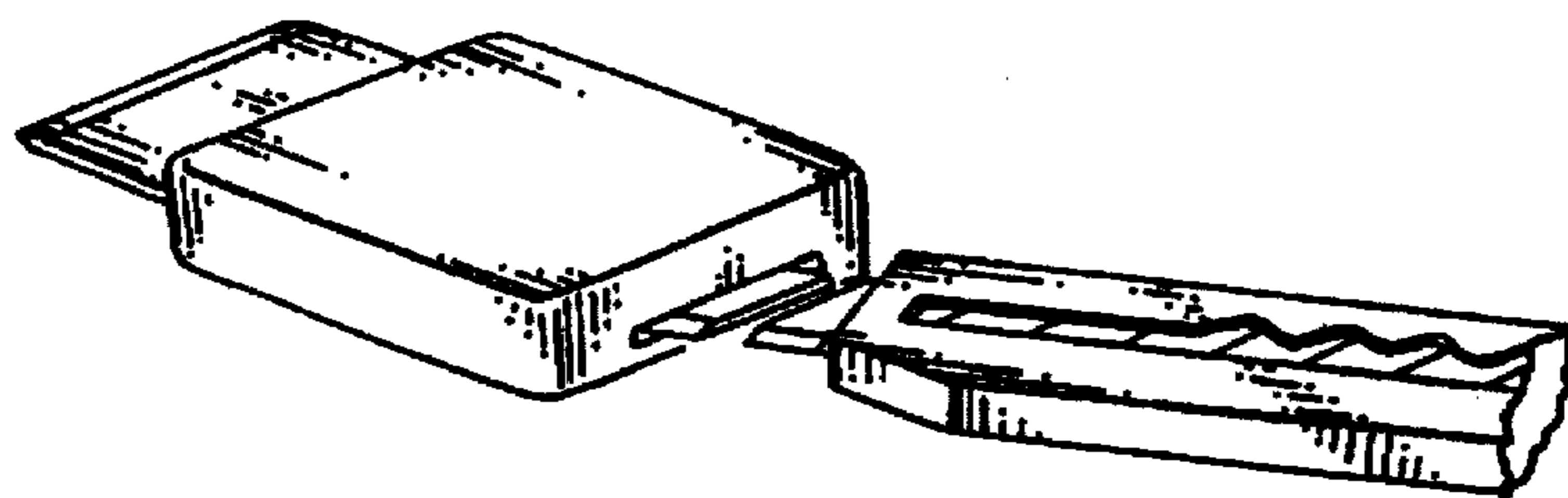


FIG. 9