

US00D384972S

# United States Patent [19]

[11] Patent Number: **Des. 384,972**

French et al.

[45] Date of Patent: **\*\*Oct. 14, 1997**

## [54] SPIRAL NOTEBOOK POUCH

[76] Inventors: **Diana J. French; Charlotte M. Odau,**  
both of 2009 Linden Lake Rd., Ft.  
Collins, Colo. 80524

[\*\*] Term: **14 Years**

[21] Appl. No.: **15,489**

[22] Filed: **Nov. 18, 1993**

[51] LOC (6) Cl. .... **19-04**

[52] U.S. Cl. .... **D19/32; D3/303**

[58] **Field of Search** ..... D19/1, 3, 4, 26,  
D19/27, 28; D3/247, 301, 303; 402/63,  
80 R, 70; 383/9; 283/63.1, 64; 281/29,  
34, 35, 36, 37, 15.1, 45; 40/405, 124.1;  
229/68.1

## [56] **References Cited**

### U.S. PATENT DOCUMENTS

D. 210,267	2/1968	Rockwell	.....	D19/27 X
1,508,821	9/1924	Schade	.....	281/36 X
2,061,675	11/1936	Schade	.....	402/79
4,577,889	3/1986	Schulz	.....	281/15.1
4,925,720	5/1990	Hansen	.....	402/79 X
5,042,841	8/1991	Friedman	.....	D19/26 X
5,125,561	6/1992	Idstein	.....	402/794
5,236,226	8/1993	Sheffield	.....	281/314

## FOREIGN PATENT DOCUMENTS

299281	7/1932	Italy	.....	40/405
57-100173	6/1982	Japan	.....	402/79

## OTHER PUBLICATIONS

Office Products, 1992, p. 638, Element A Notebook.

*Primary Examiner*—Susan J. Lucas  
*Assistant Examiner*—Pamela Burgess  
*Attorney, Agent, or Firm*—Dean P. Edmundson

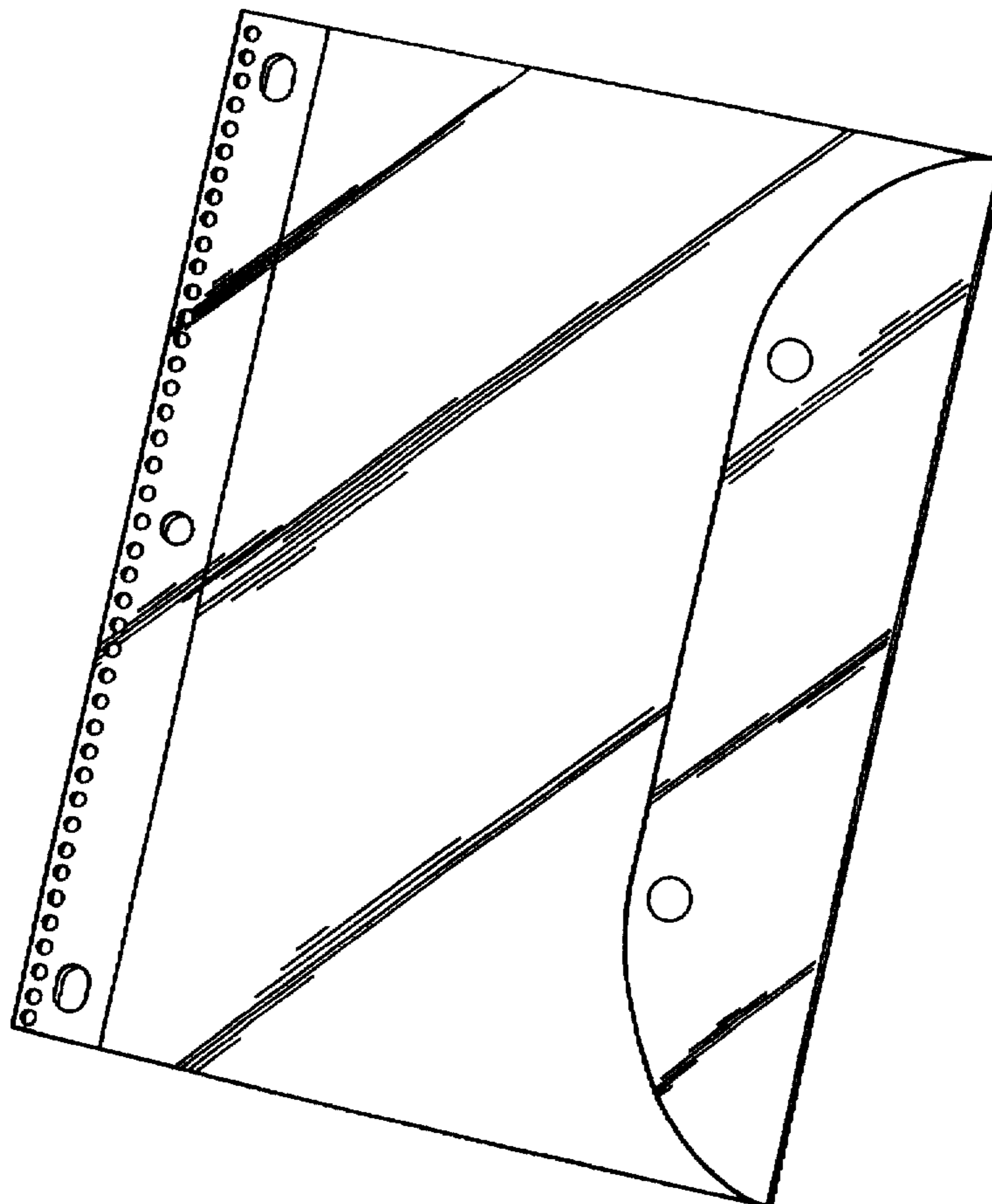
## [57] **CLAIM**

The ornamental design for a spiral notebook pouch, as shown and described.

## DESCRIPTION

FIG. 1 is a front perspective view of a spiral notebook pouch, showing our new design;  
FIG. 2 is a front elevational view;  
FIG. 3 is a top plan view; the bottom plan view is a mirror image thereof;  
FIG. 4 is a rear elevational view;  
FIG. 5 is a left side elevational view; and,  
FIG. 6 is a right side elevational view.

**1 Claim, 4 Drawing Sheets**



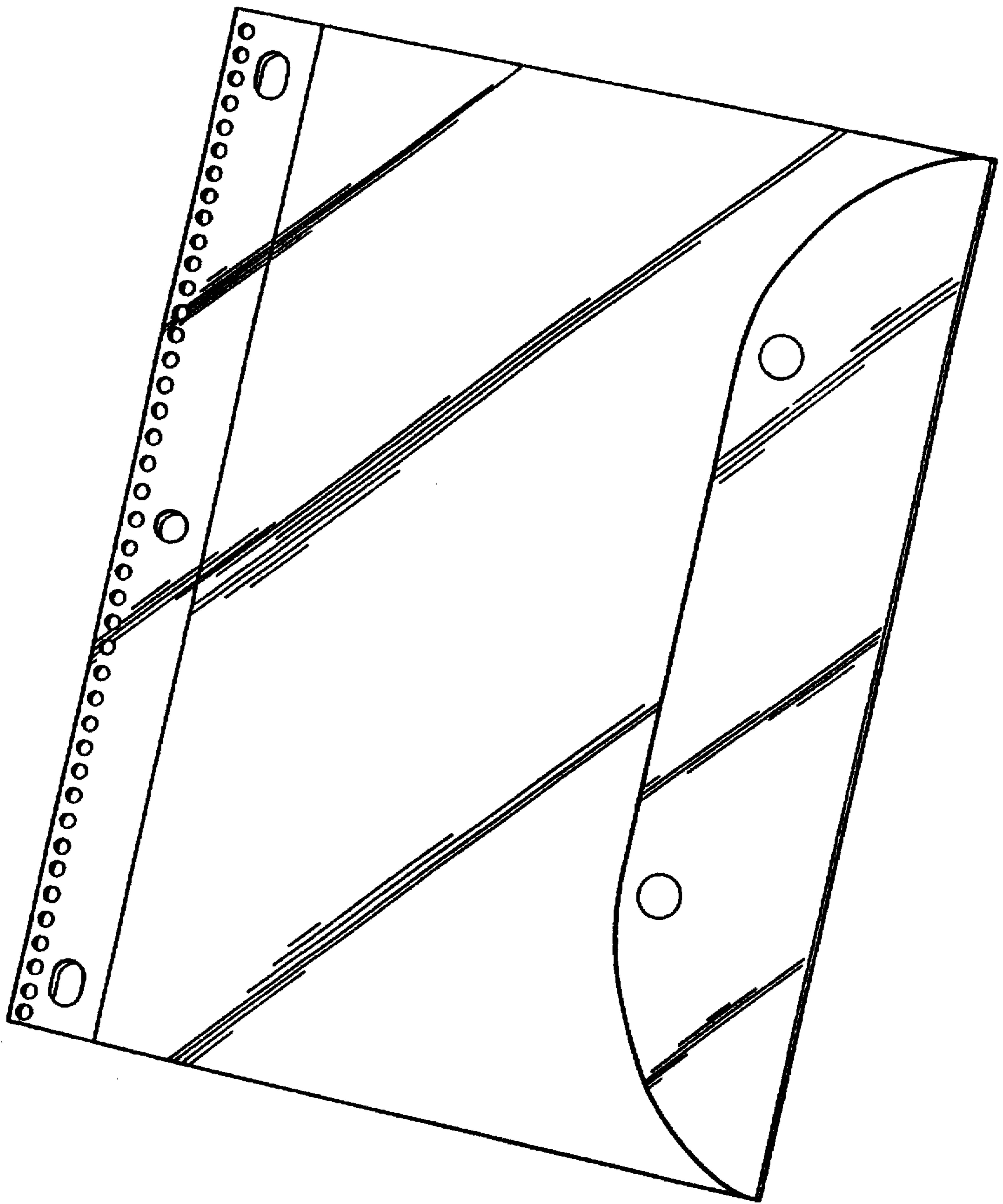


FIG. 1

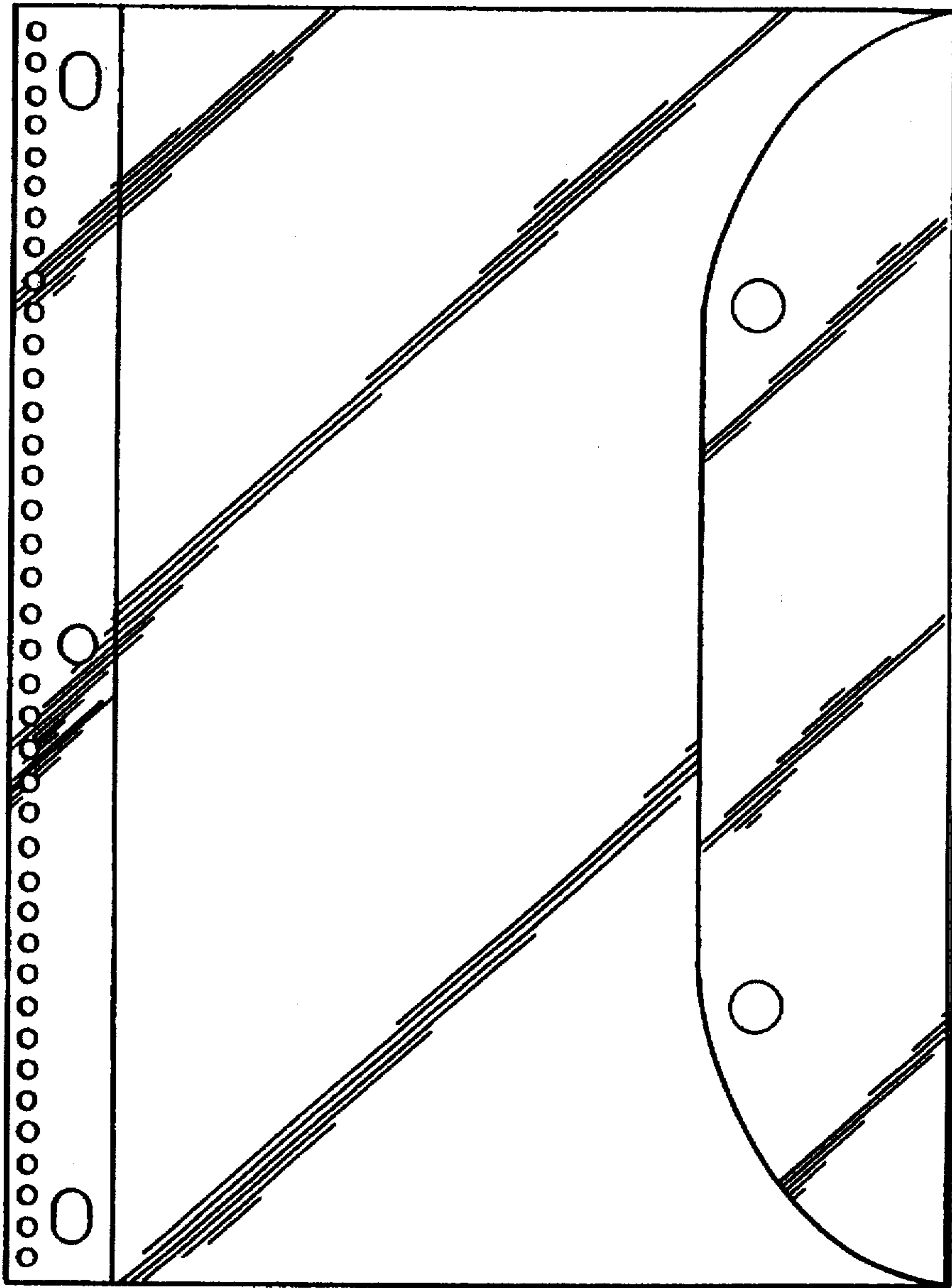


FIG. 2



FIG. 3

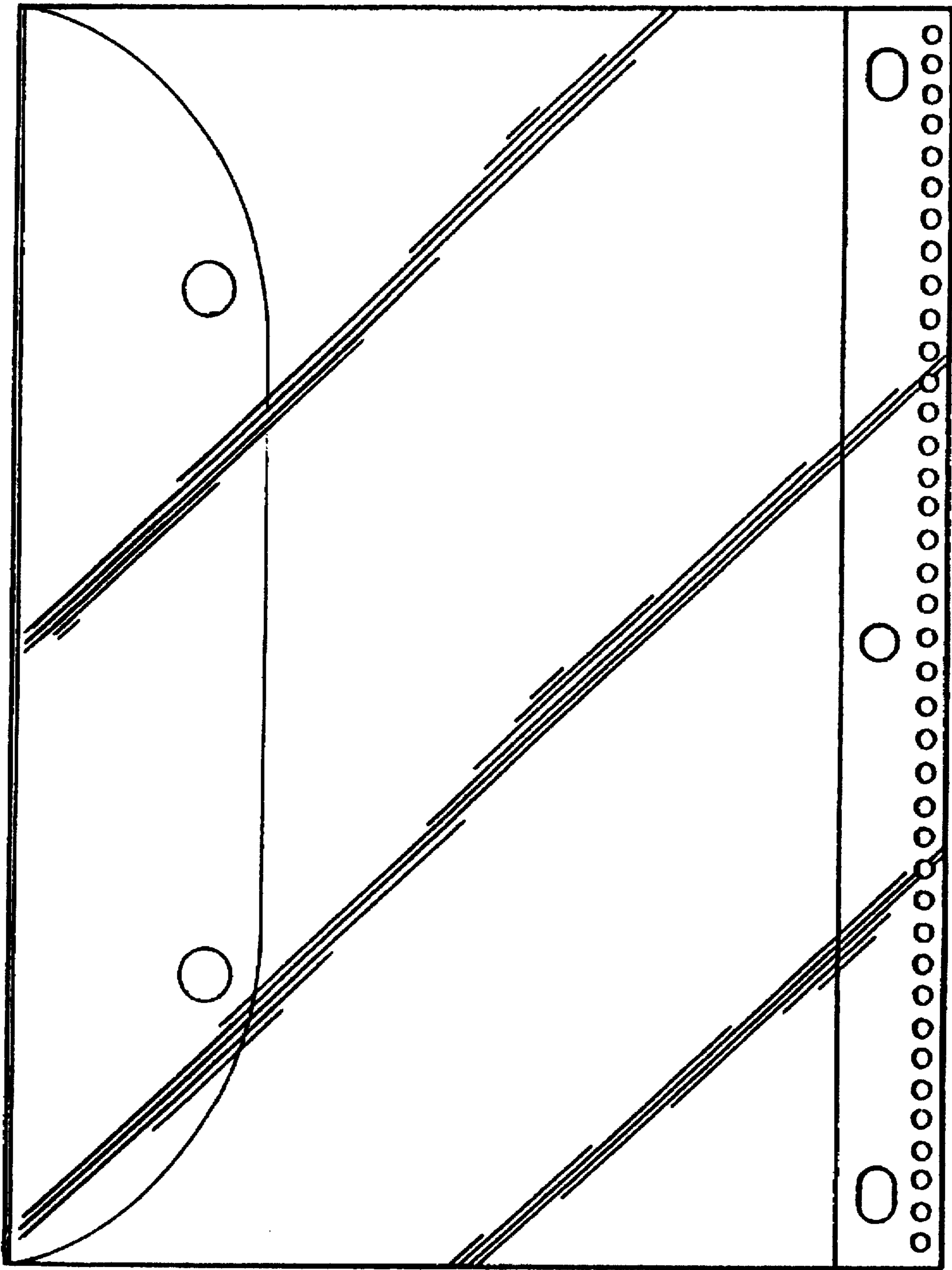


FIG. 4



FIG. 5



FIG. 6