

US00D384967S

**United States Patent** [19]  
**Conway**

[11] **Patent Number: Des. 384,967**  
[45] **Date of Patent: \*\*Oct. 14, 1997**

[54] **EYEWEAR**

[75] **Inventor: Simon M. Conway, Lima, N.Y.**

[73] **Assignee: Bausch & Lomb Incorporated, Rochester, N.Y.**

[\*\*] **Term: 14 Years**

[21] **Appl. No.: 58,910**

[22] **Filed: Aug. 28, 1996**

**Related U.S. Application Data**

[62] **Division of Ser. No. 46,653, Oct. 20, 1995.**

[51] **LOC (6) Cl. .... 16-06**

[52] **U.S. Cl. .... D16/326; D16/320**

[58] **Field of Search .... D16/300, 306, D16/315-322, 325-330; 351/41, 44, 51, 52, 83, 90, 158**

[56] **References Cited**

**U.S. PATENT DOCUMENTS**

D. 133,353	8/1942	Smith, Jr. ....	D16/328
D. 227,597	7/1973	Shindler ....	D16/325
D. 290,465	6/1987	Levoy ....	D16/325
D. 302,559	8/1989	Samuel ....	D16/325
D. 350,967	9/1994	Cereda ....	D16/315
1,986,089	1/1935	Wingate ....	D16/311
4,470,674	9/1984	Piampiano ....	351/136
5,343,259	8/1994	Nakanishi ....	351/41

**OTHER PUBLICATIONS**

The Optician Jan. 16, 1981 p. 27, sunglasses at bottom of page.

*Primary Examiner*—Raphael Barkai  
*Attorney, Agent, or Firm*—Katherine McGuire

[57] **CLAIM**

The ornamental design for an eyewear, as shown and described.

**DESCRIPTION**

FIG. 1 is a front elevational view of an eyewear showing my new design;

FIG. 2 is a front perspective view thereof;

FIG. 3 is a rear elevational view thereof;

FIG. 4 is a top plan view thereof;

FIG. 5 is a bottom plan view thereof;

FIG. 6 is a side elevational view thereof;

FIG. 7 is a front elevational view of a second embodiment of my new design;

FIG. 8 is a front perspective view of FIG. 7;

FIG. 9 is a rear elevational view of FIG. 7;

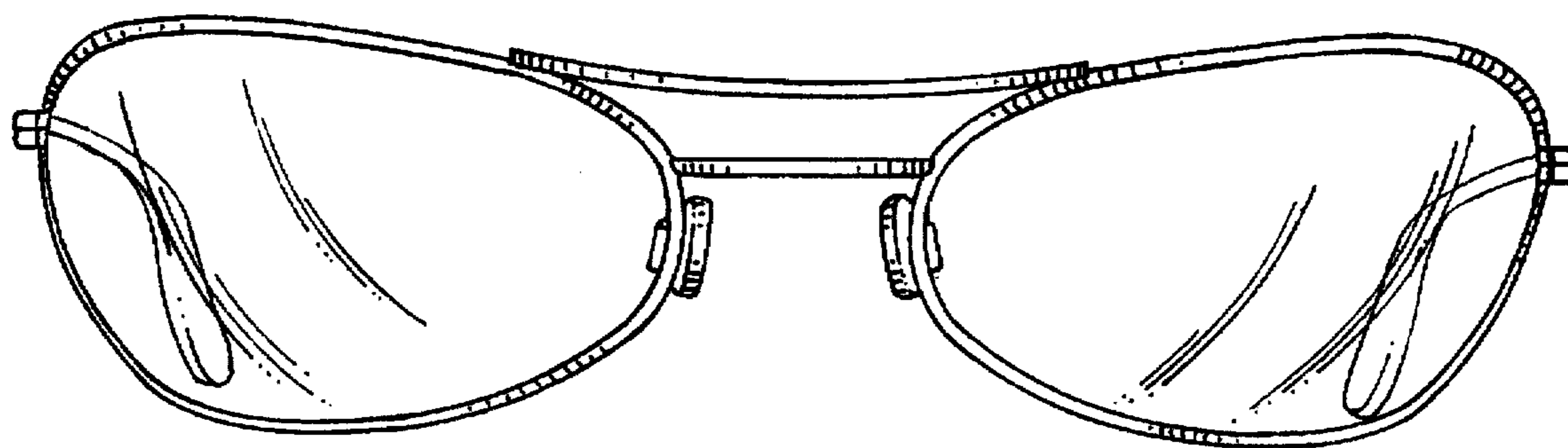
FIG. 10 is a top plan view of FIG. 7;

FIG. 11 is a bottom plan view of FIG. 7; and,

FIG. 12 is a side elevational view of FIG. 7.

The broken lines appearing in FIGS. 7-12 are for environmental purposes only and form no part of the claimed design.

**1 Claim, 6 Drawing Sheets**



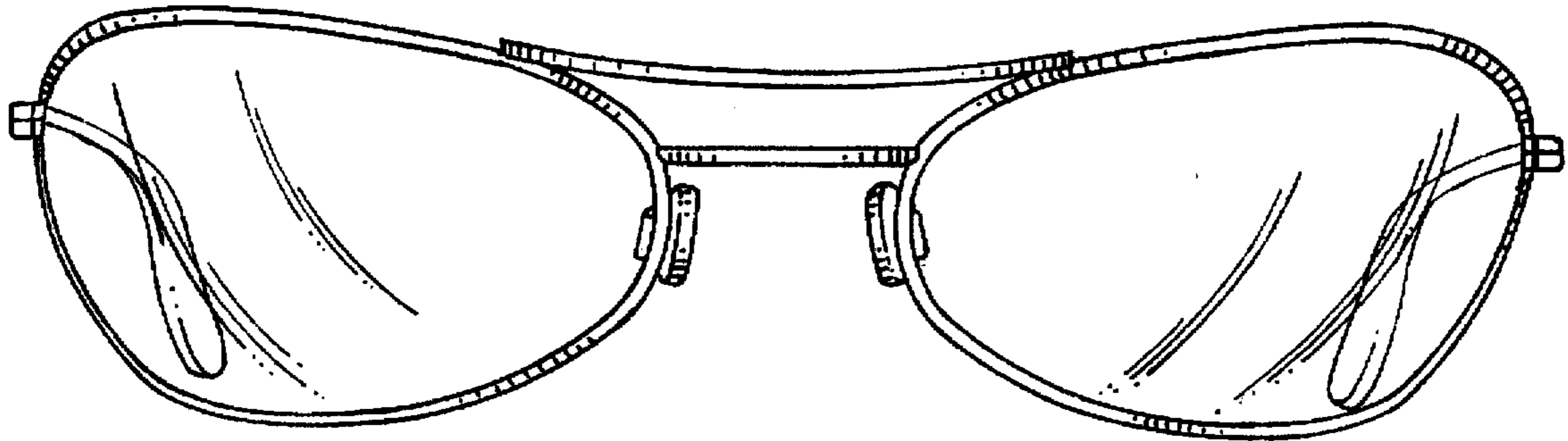


FIG. 1

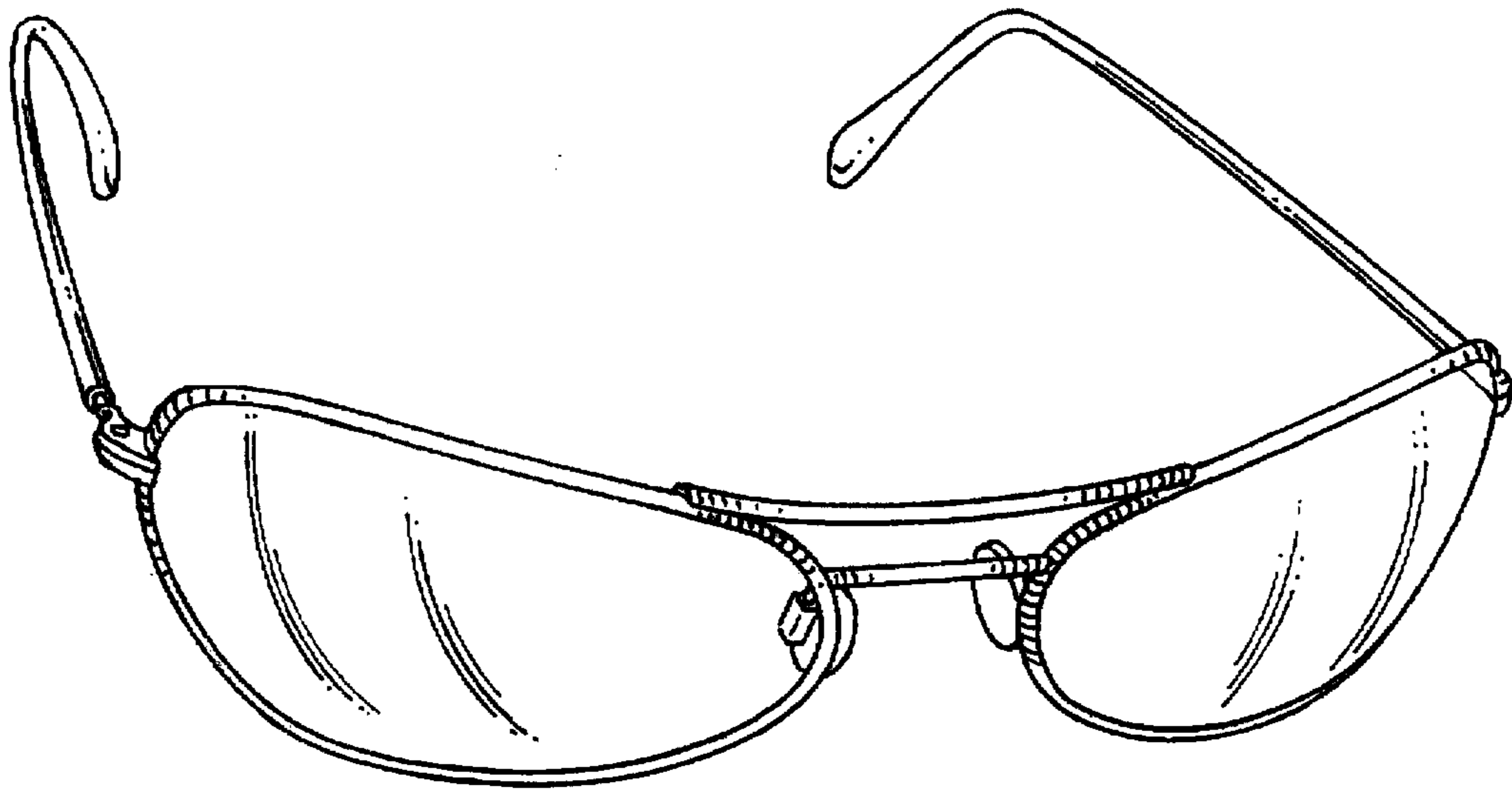


FIG. 2

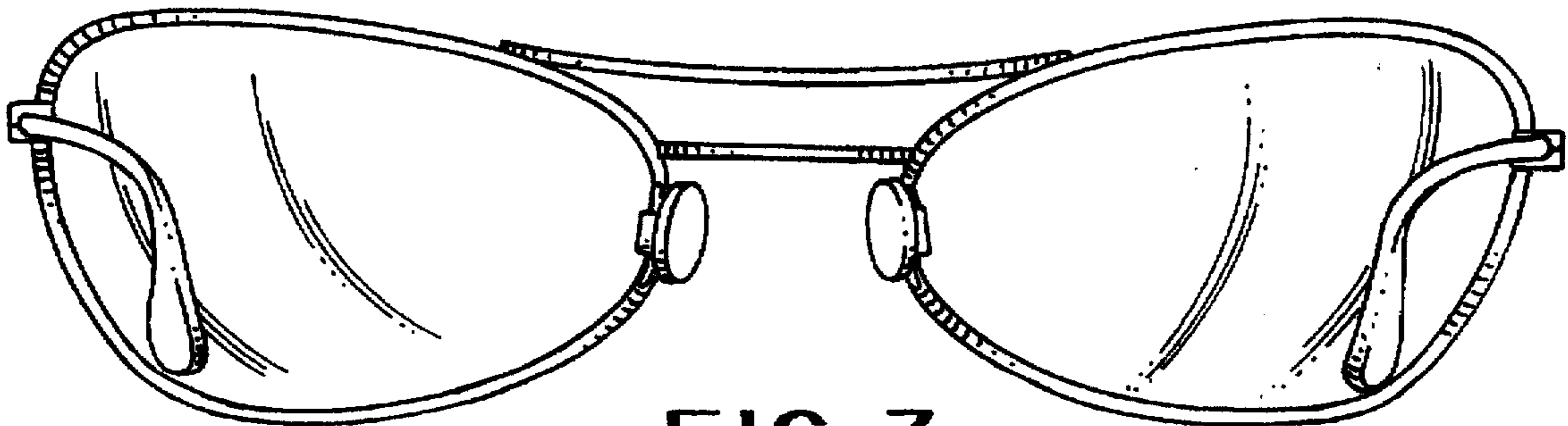
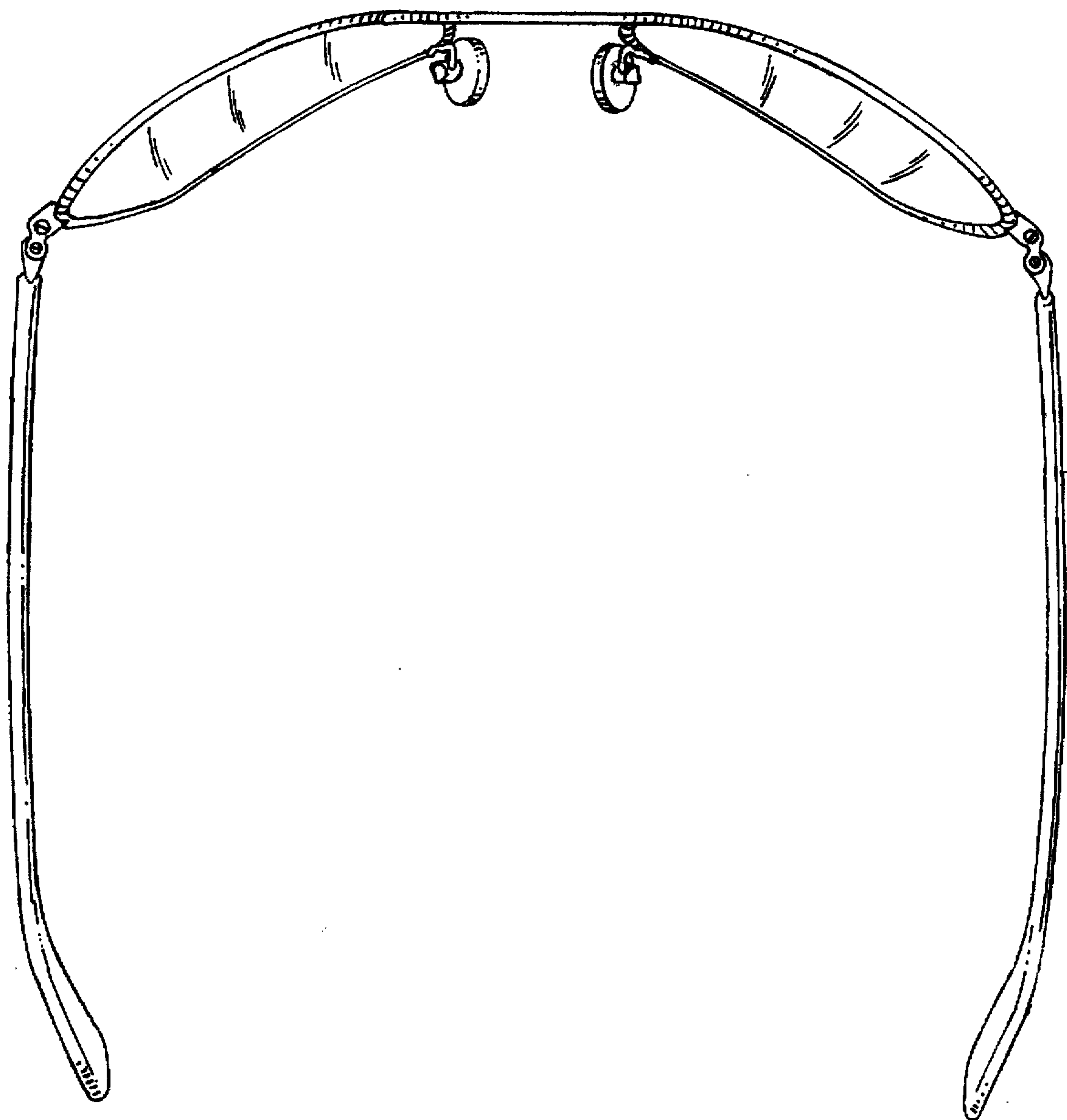


FIG. 3

FIG. 4



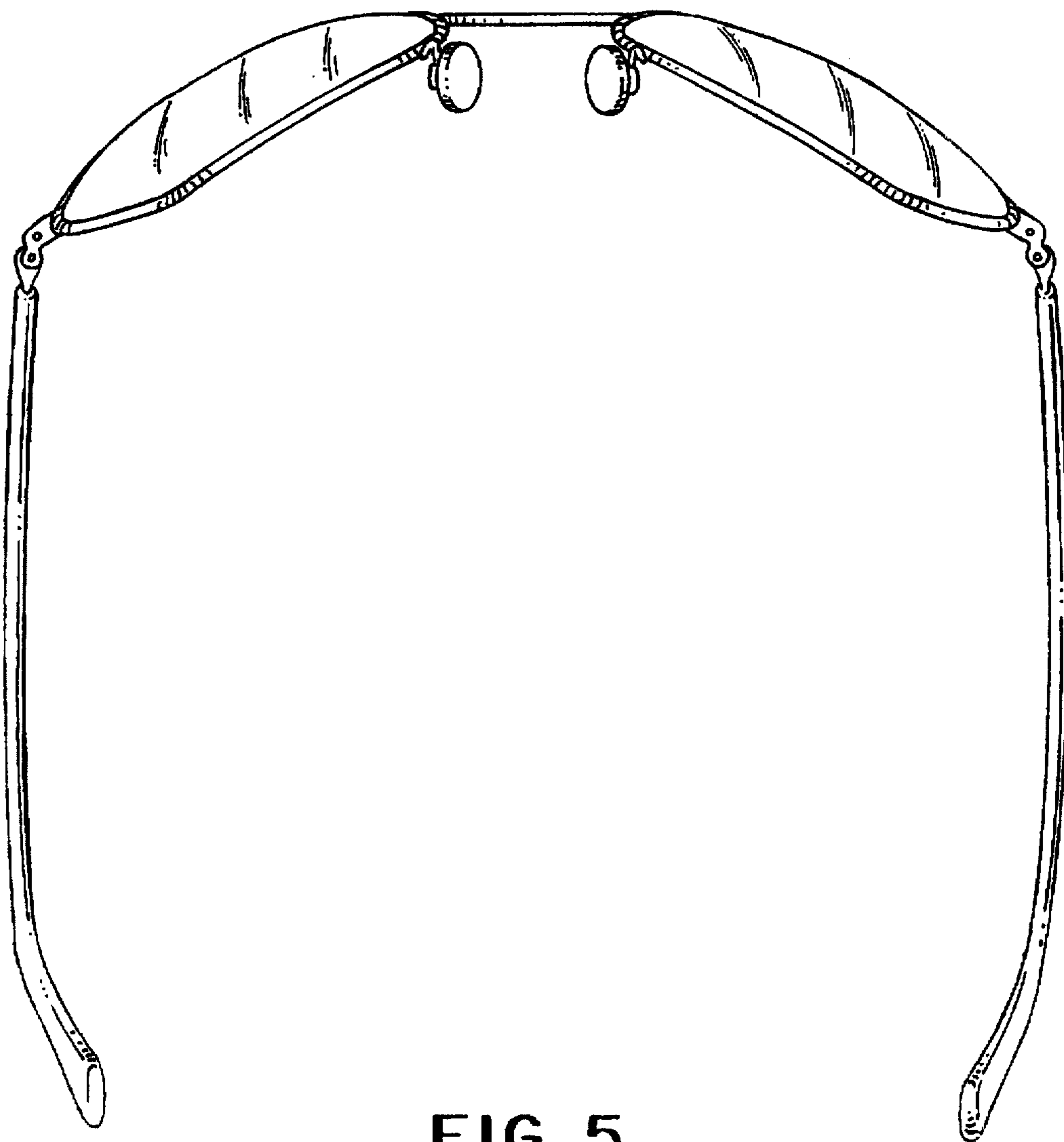


FIG. 5

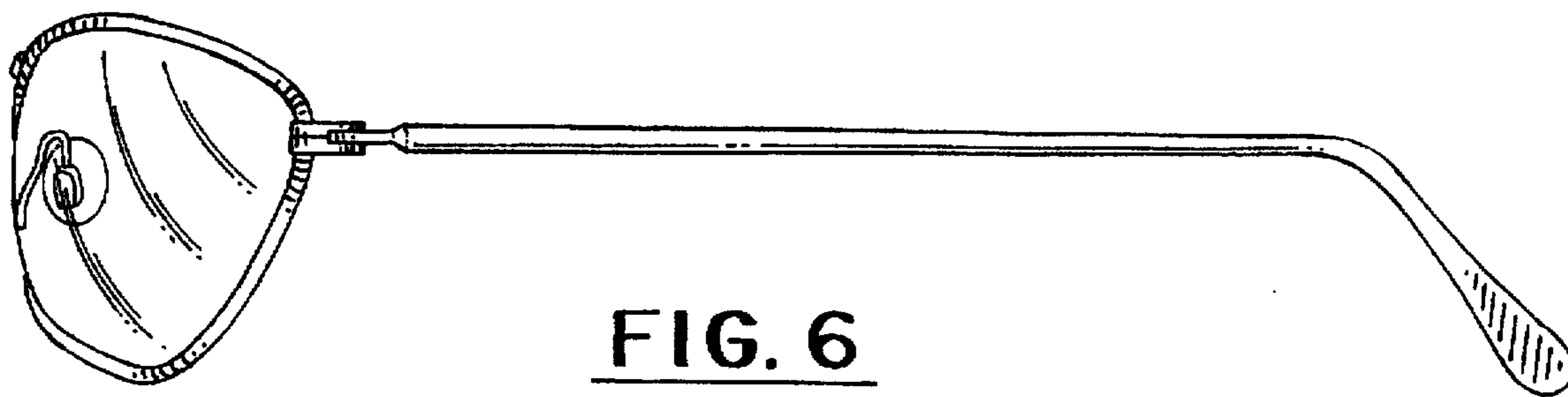


FIG. 6

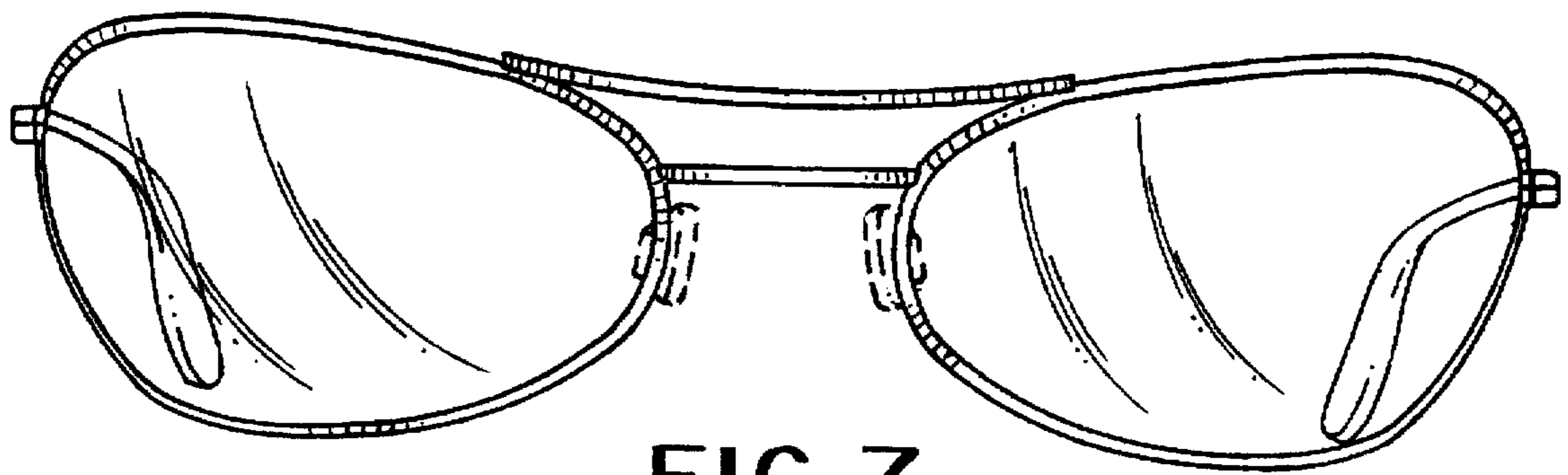


FIG. 7

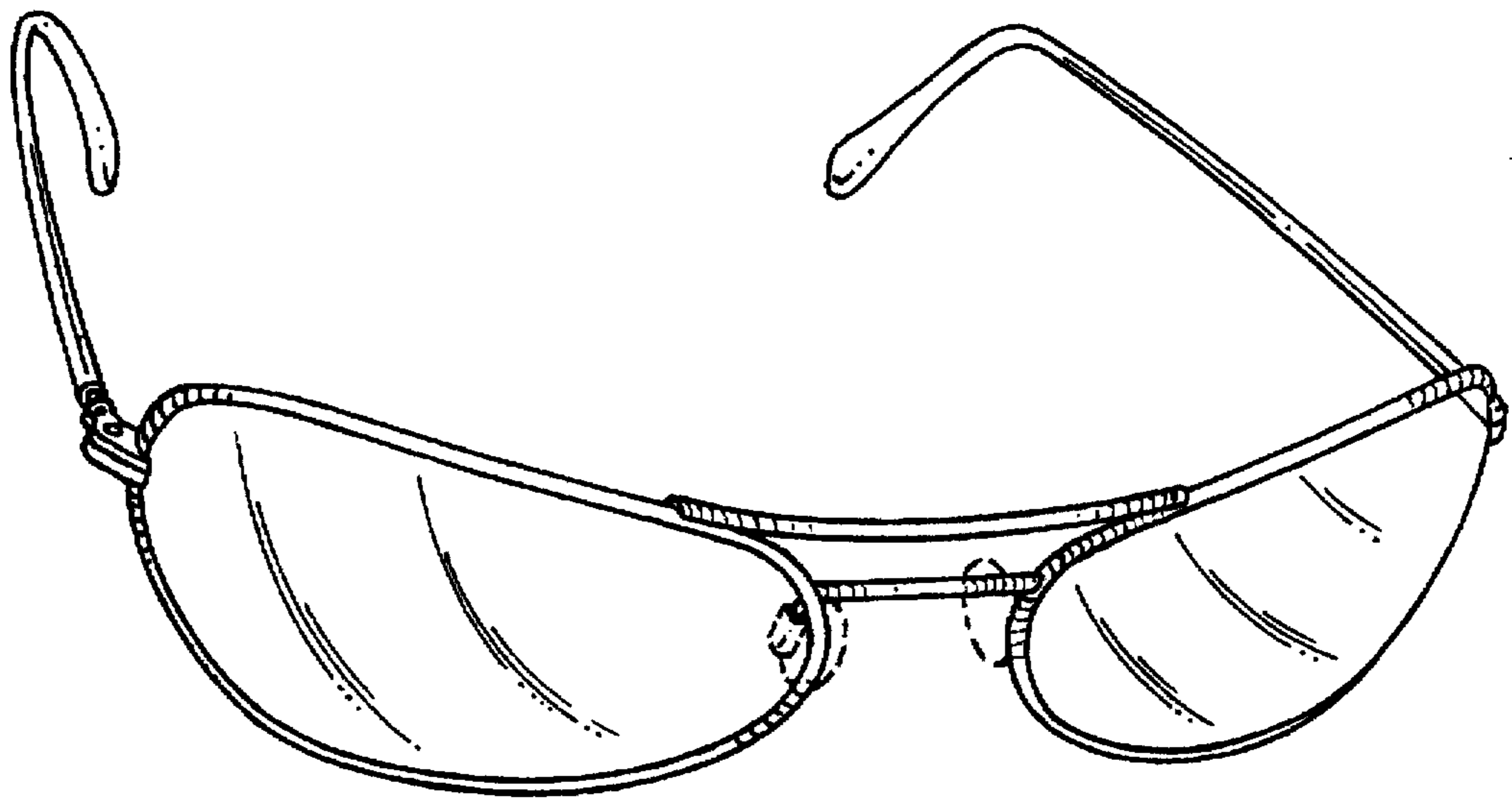


FIG. 8

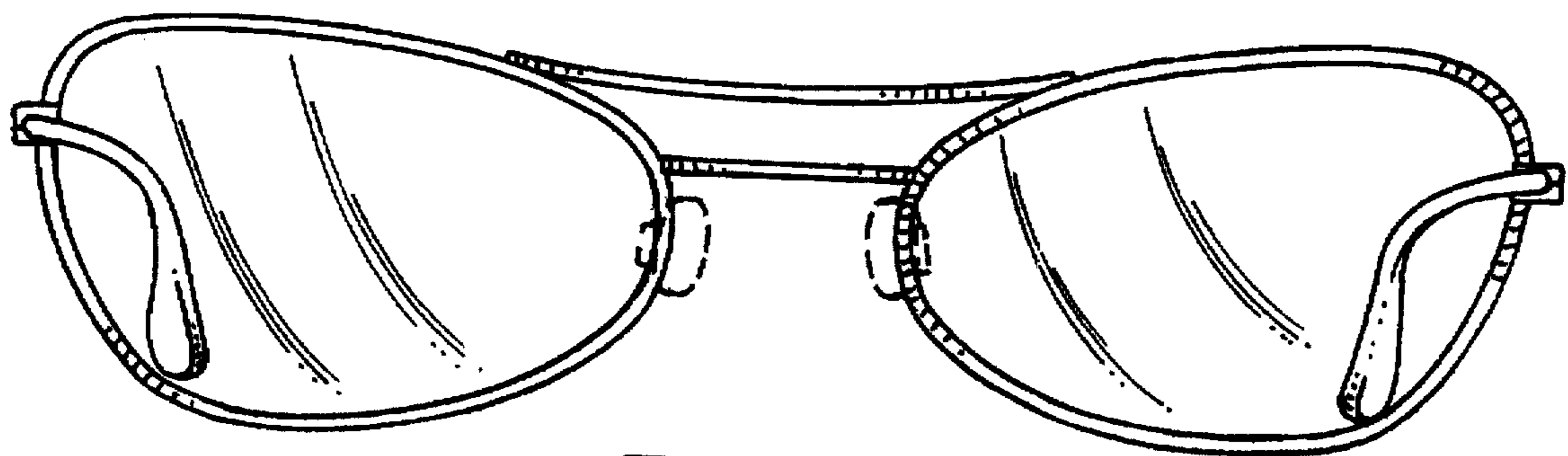
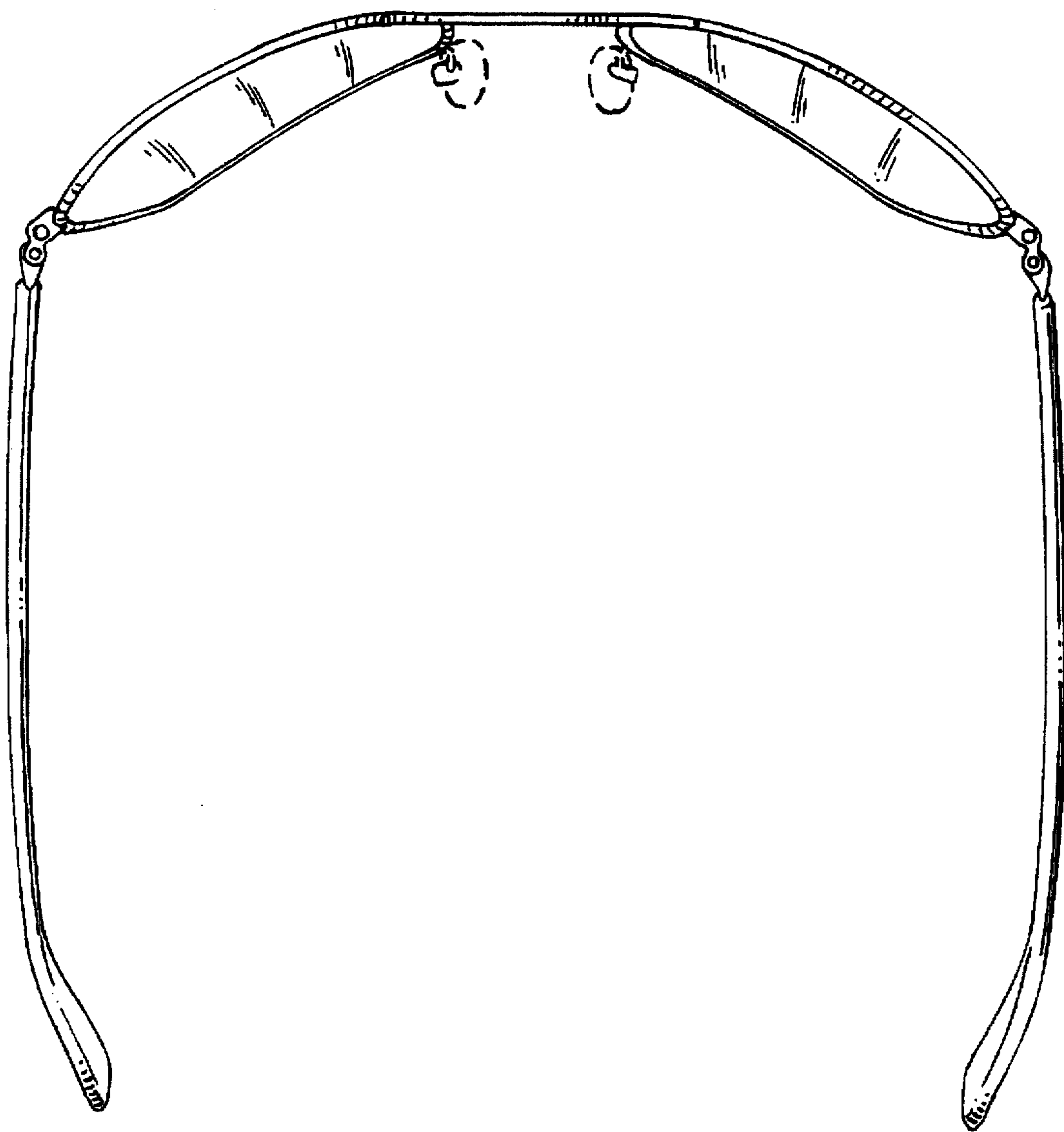


FIG. 9

FIG. 10



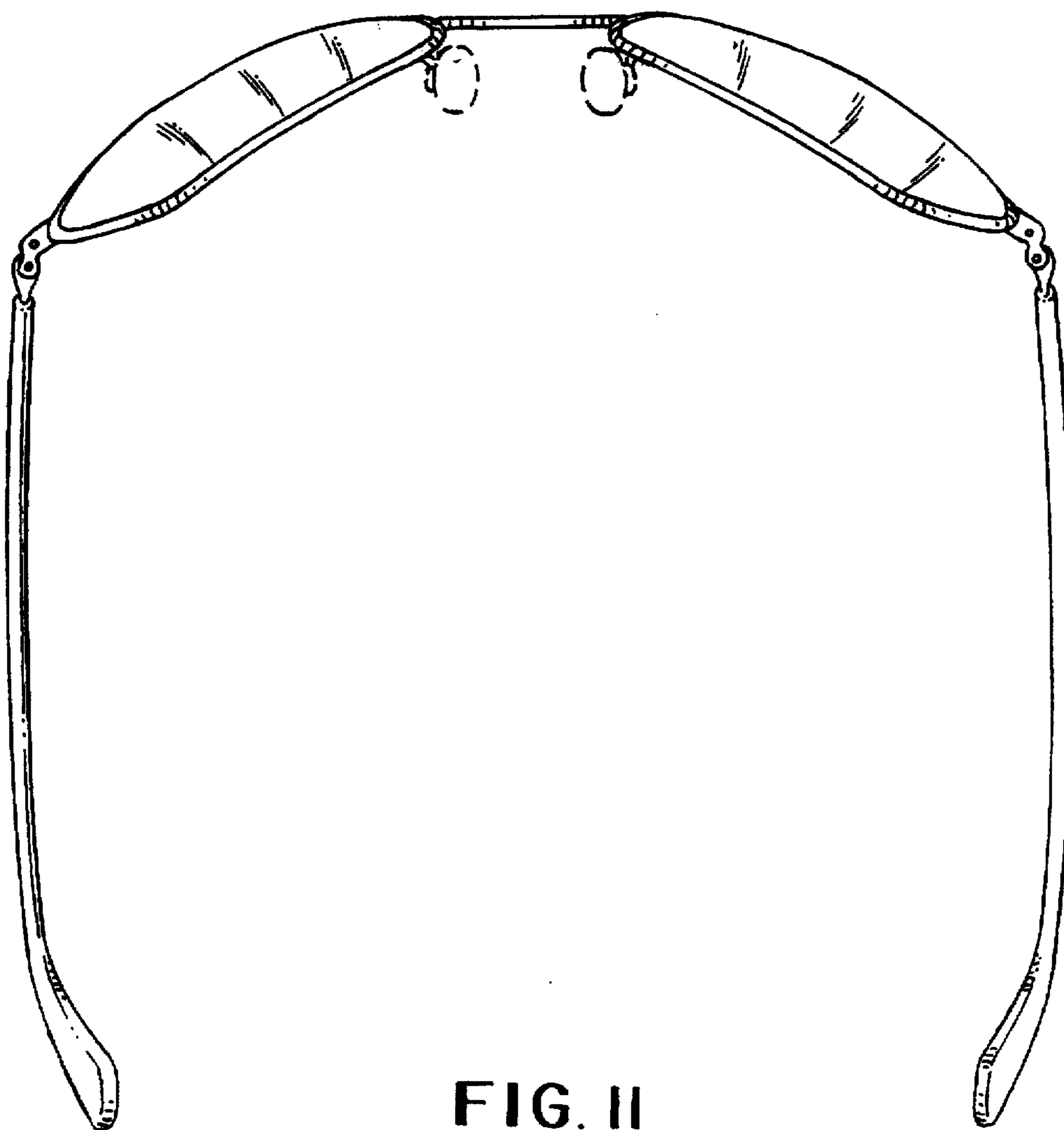


FIG. 11

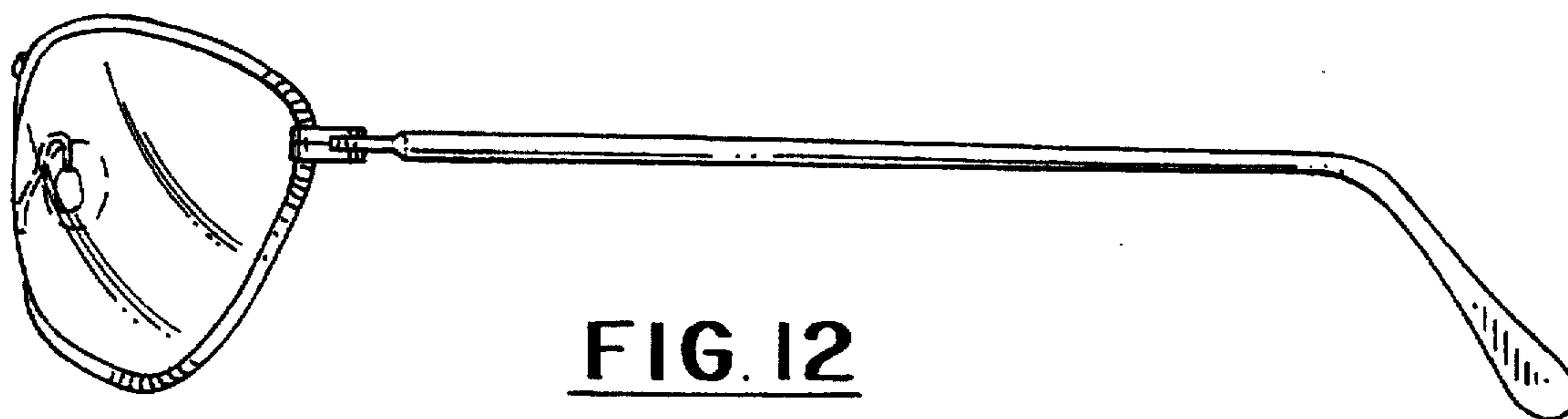


FIG. 12