



US00D384963S

United States Patent [19]
Sekita

[11] **Patent Number: Des. 384,963**

[45] **Date of Patent: **Oct. 14, 1997**

[54] **VIDEO CAMERA COMBINED WITH VIDEO TAPE RECORDER**

[75] Inventor: **Mie Sekita**, Tokyo, Japan
[73] Assignee: **Sony Corporation**, Tokyo, Japan
[**] Term: **14 Years**

[21] Appl. No.: **42,427**
[22] Filed: **Aug. 10, 1995**

[51] **LOC (6) Cl.** **16-01**
[52] **U.S. Cl.** **D16/202**
[58] **Field of Search** **D16/200-208;**
348/373-376; 354/75, 76, 82, 288; 358/906,
909.1

[56] **References Cited**

U.S. PATENT DOCUMENTS

D. 356,326	3/1995	Miyashita	D16/202
D. 361,583	8/1995	Mori et al.	D16/202
D. 365,116	12/1995	Ohi et al.	D16/202
D. 366,492	1/1996	Kume et al.	D16/202

OTHER PUBLICATIONS

Camcorder, Dec. 1993 p. 43 (Sharp VL-H100U).

Primary Examiner—Ted Shooman
Assistant Examiner—Adir Aronovich
Attorney, Agent, or Firm—Foley & Lardner

[57] **CLAIM**

The ornamental design for a video camera combined with video tape recorder, as shown and described.

DESCRIPTION

FIG. 1 is a rear perspective view of a video camera combined with video tape recorder showing my new design; FIG. 2 is a top plan view thereof; FIG. 3 is a left side elevational view thereof; FIG. 4 is a front elevational view thereof; FIG. 5 is a right elevational view thereof; FIG. 6 is a rear elevational view thereof; FIG. 7 is a bottom plan view thereof; FIG. 8 is a rear perspective view thereof, the display portion shown in the alternate position; and, FIG. 9 is a front perspective view thereof, the display portion shown in the second alternate position.

1 Claim, 3 Drawing Sheets

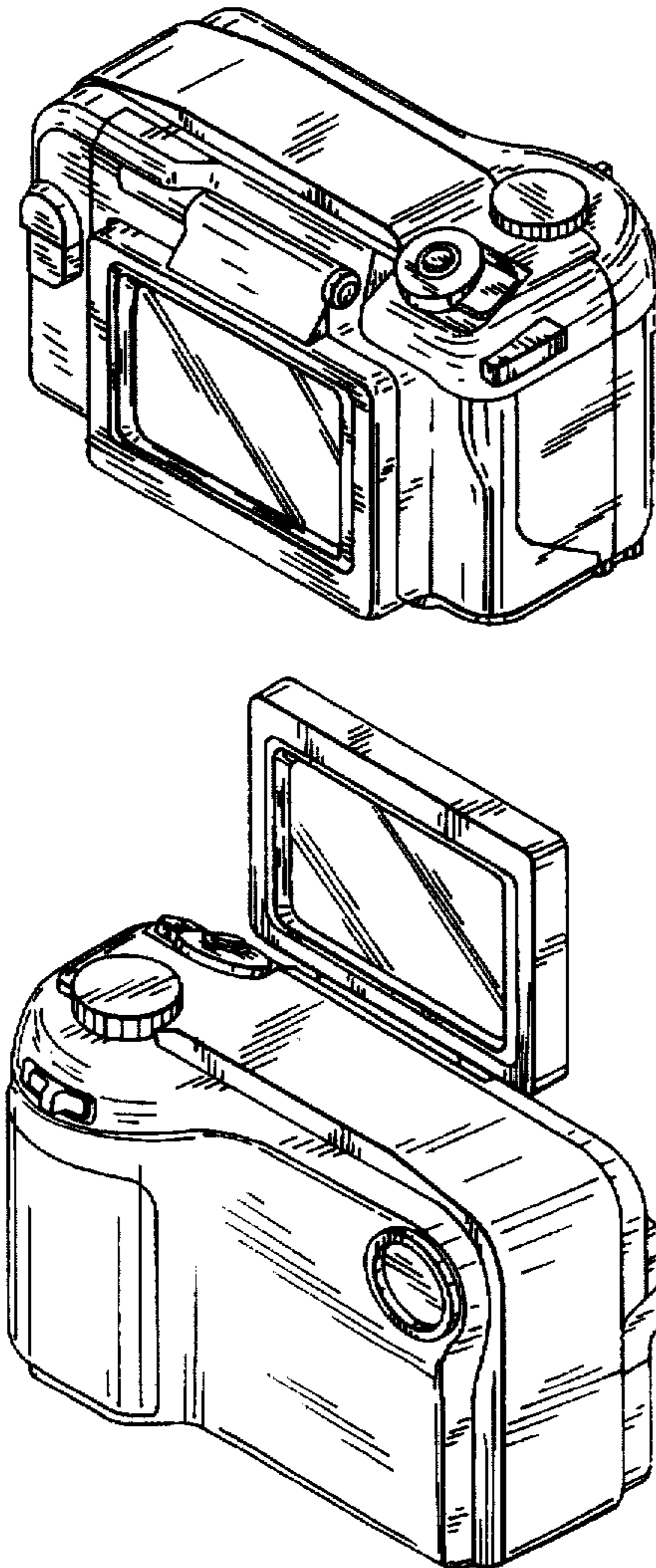


FIG. 2

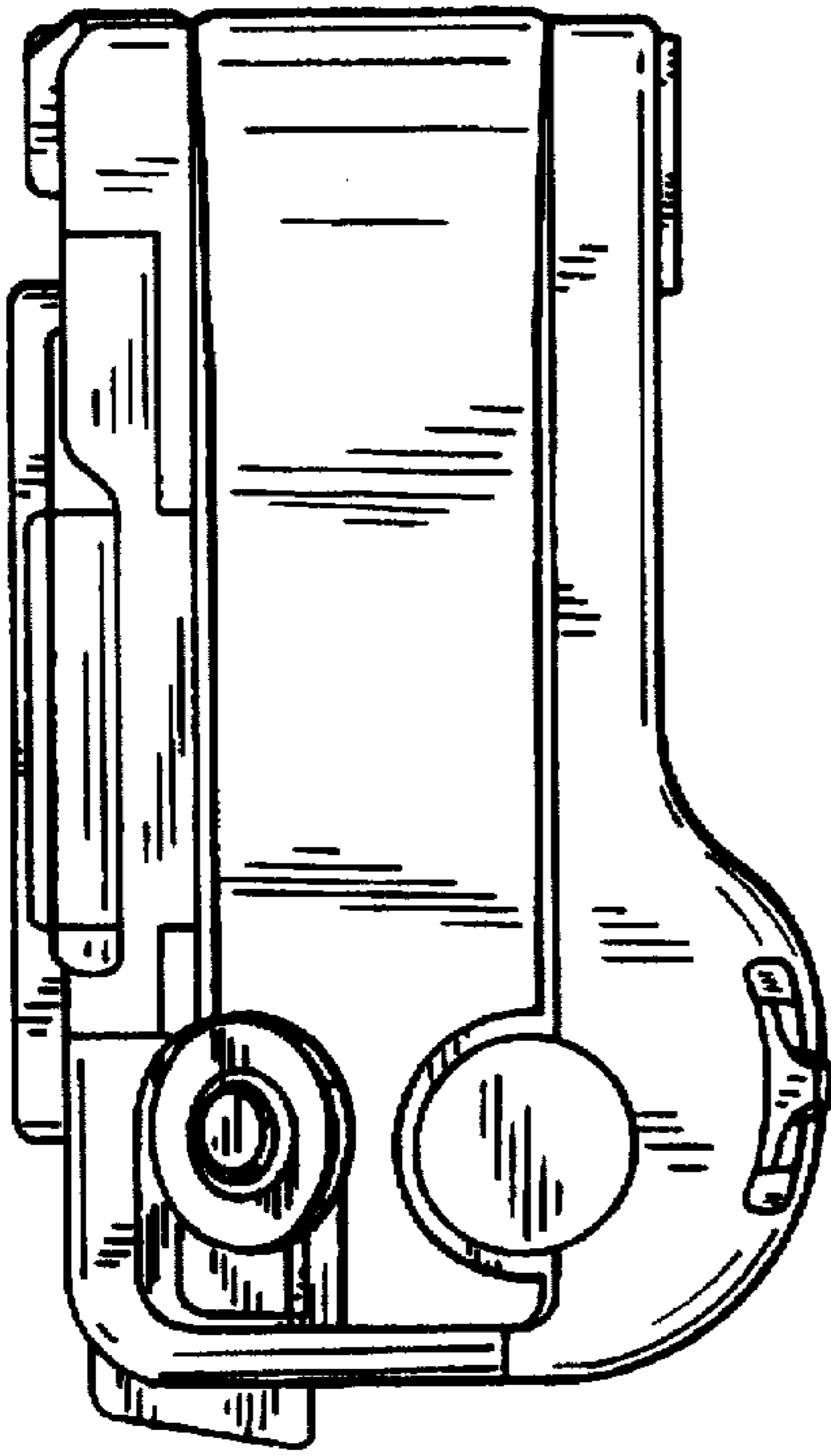


FIG. 3

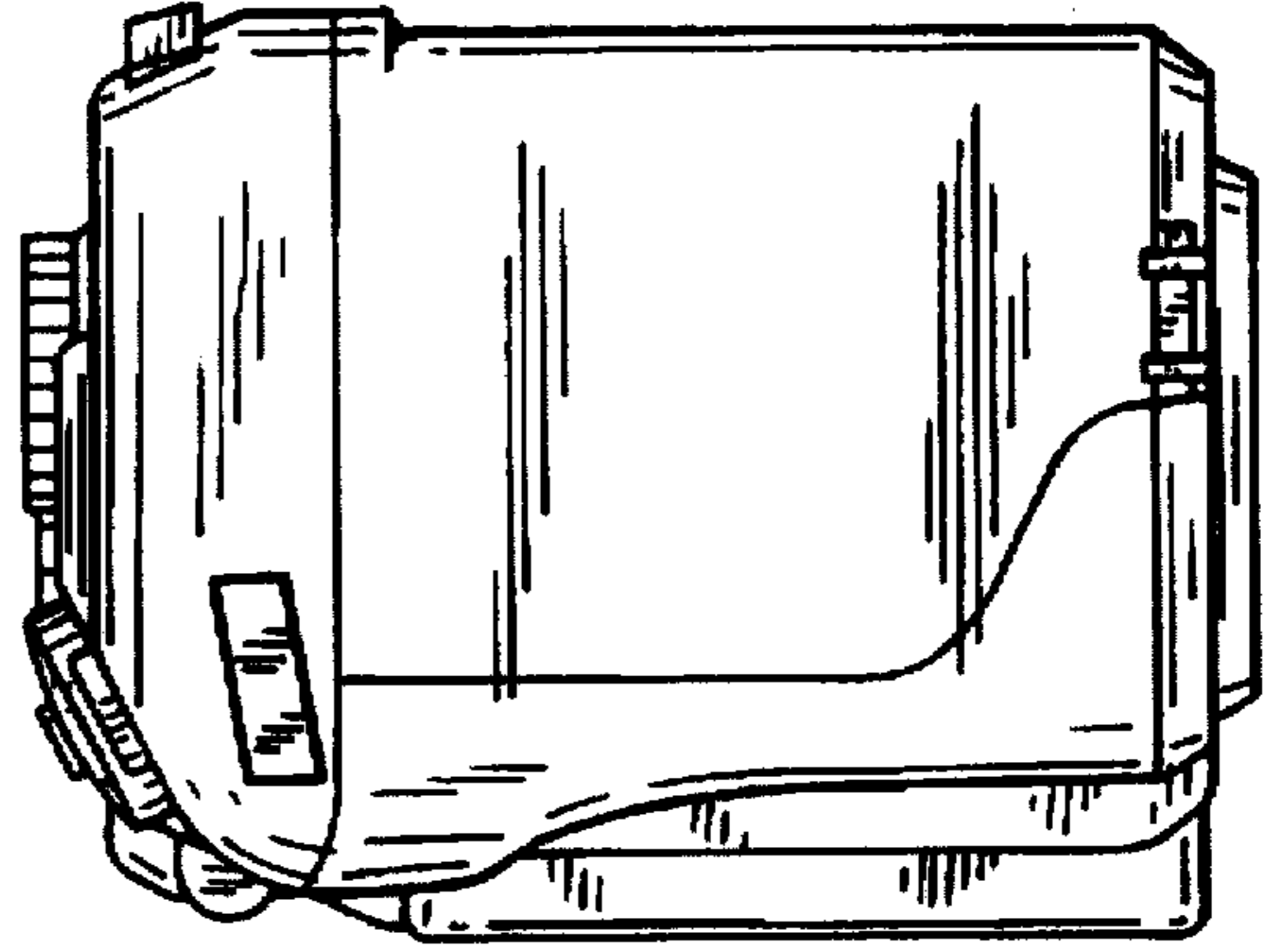
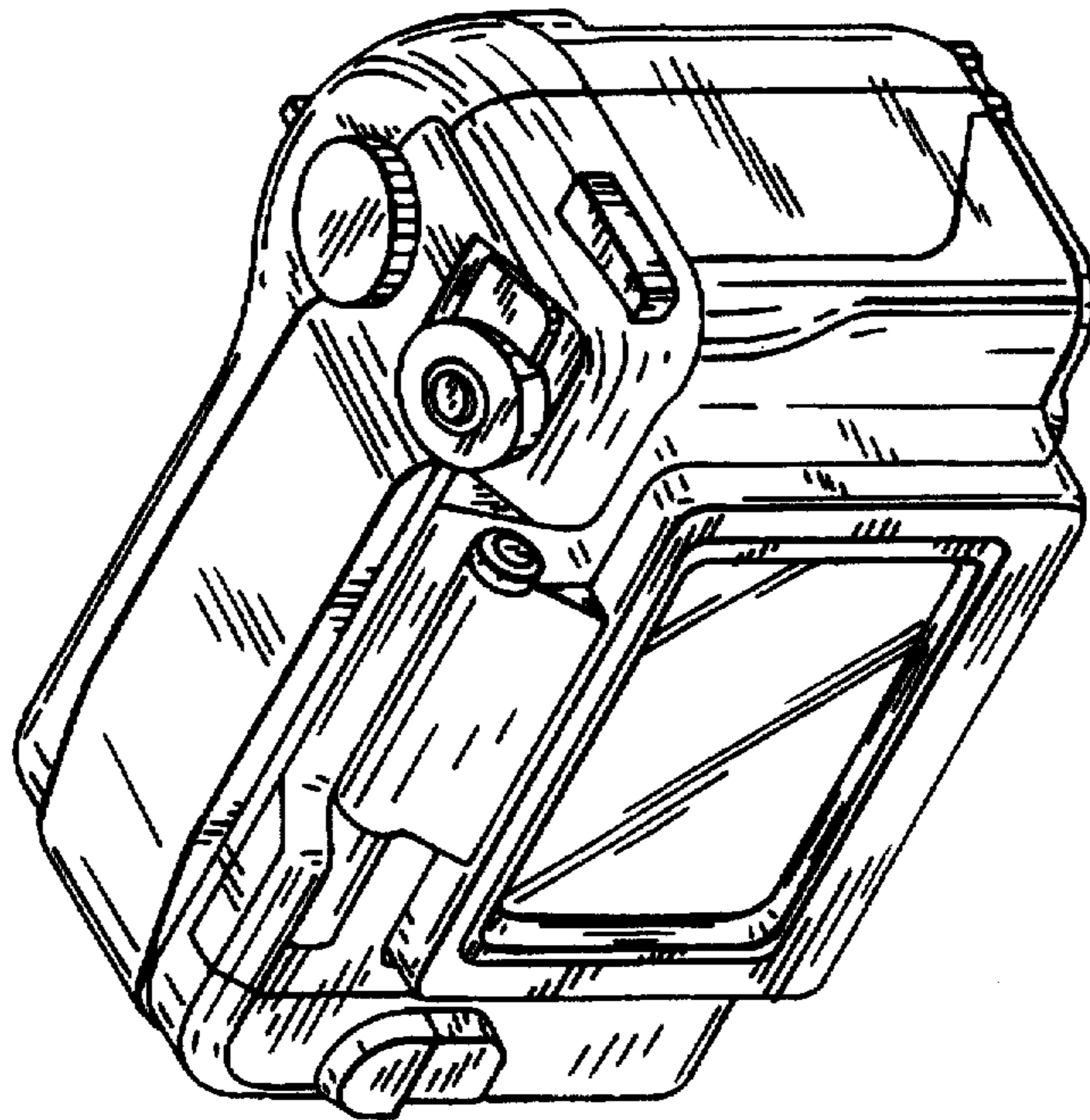


FIG. 1



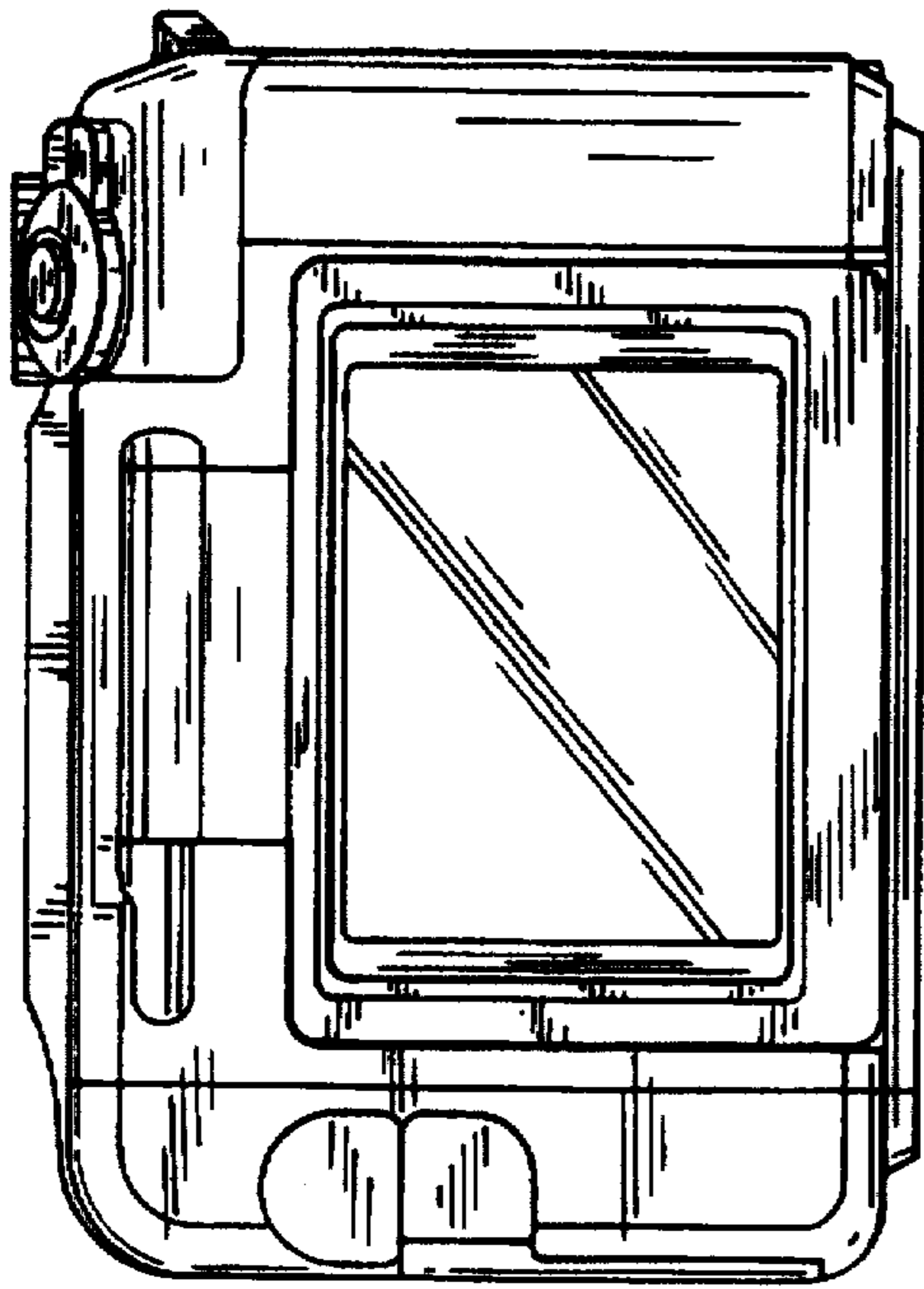


FIG. 6

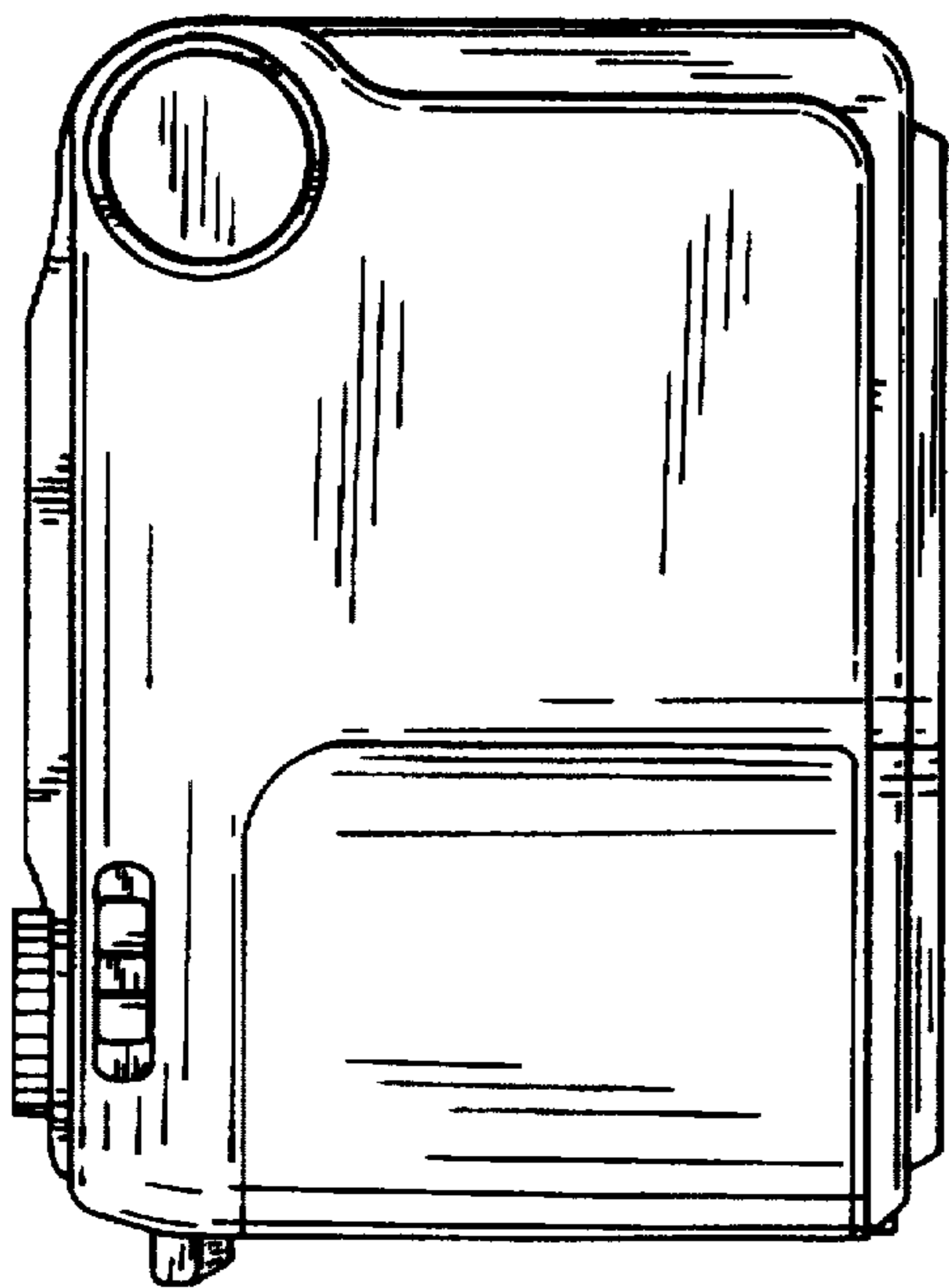


FIG. 4

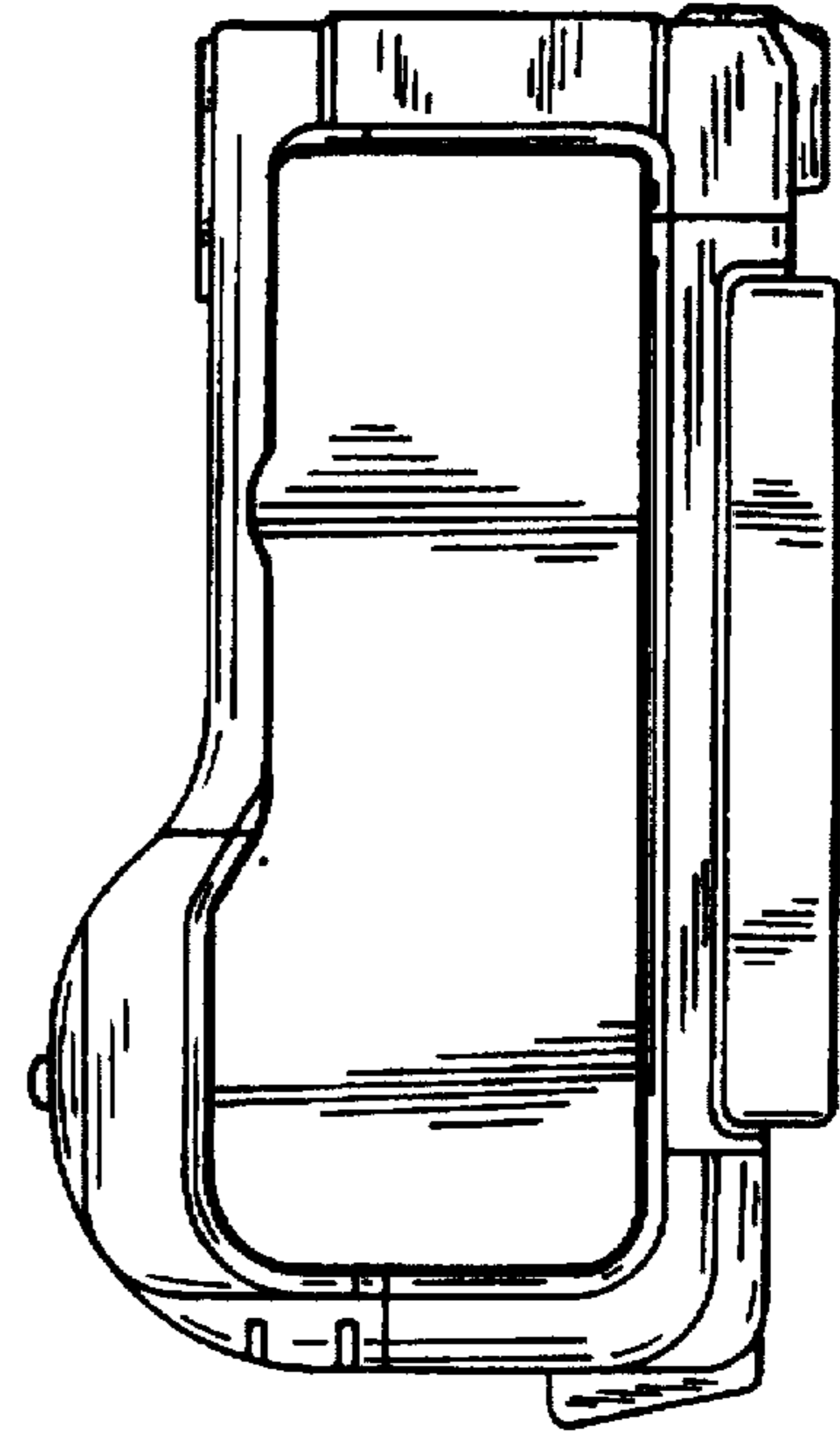


FIG. 7

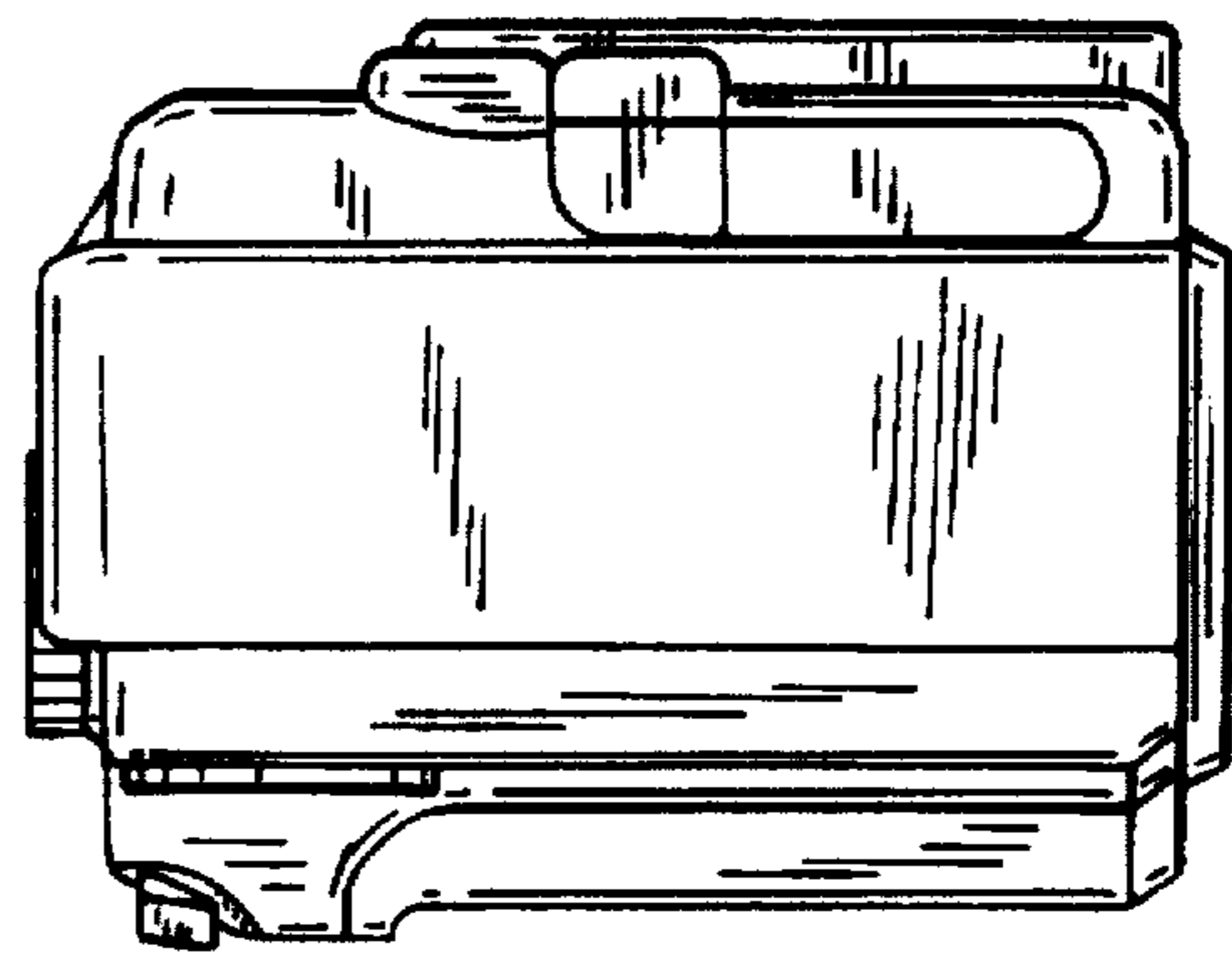


FIG. 5

FIG. 8

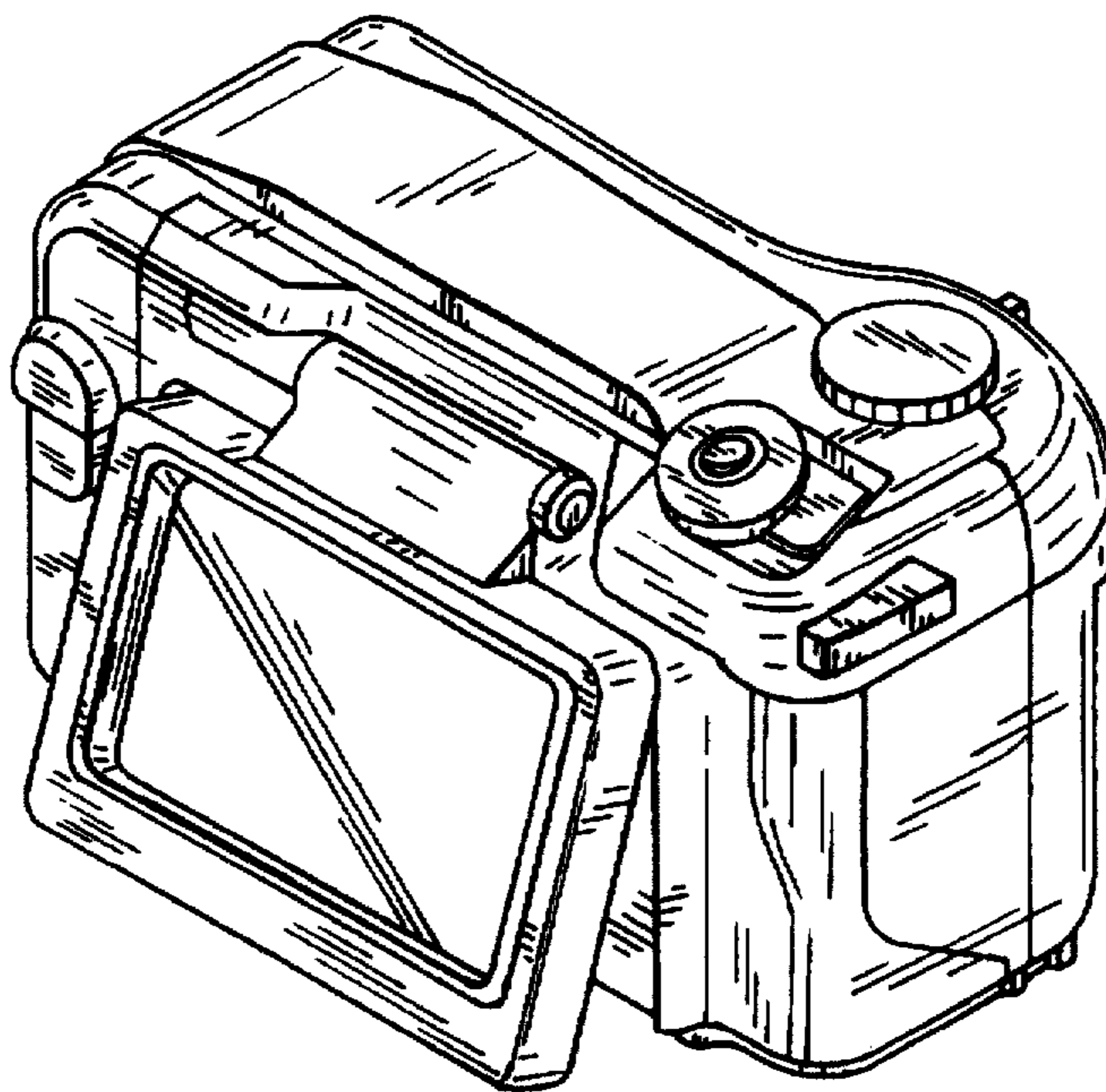


FIG. 9

