



US00D384962S

United States Patent [19]
McLeod et al.

[11] **Patent Number: Des. 384,962**
[45] **Date of Patent: **Oct. 14, 1997**

[54] **DRILL BIT FINGER**

[76] Inventors: **Gavin Thomas McLeod**, 21B Hertford Close, Bullcreek, Western Australia 6154; **Matthew Vance Egan**, 21 San Miguel Dr., Leeming, Western Australia 6155, both of Australia

[**] Term: **14 Years**

[21] Appl. No.: **40,008**

[22] Filed: **Jun. 7, 1995**

[30] **Foreign Application Priority Data**

Dec. 7, 1994 [AU] Australia 4096/94

[51] LOC (6) Cl. **15-09**

[52] U.S. Cl. **D15/139**

[58] Field of Search D15/138, 139;
175/46, 52, 171, 372, 382-385, 426-433

[56] **References Cited**

U.S. PATENT DOCUMENTS

D. 220,920	6/1971	Cochran	D15/139
2,068,704	1/1937	Powell	.	
2,345,699	4/1944	Camp	.	
2,358,466	9/1944	Miller	.	
2,640,546	6/1953	Baker	.	
2,842,343	7/1958	Church et al.	.	
3,437,159	4/1969	Link et al.	.	
3,603,411	9/1971	Link	.	
3,603,413	9/1971	Grill et al.	.	

3,692,126	9/1972	Rushing et al.	.	
3,955,633	5/1976	Bowles	.	
4,281,722	8/1981	Tucker et al.	.	
4,497,382	2/1985	Nenkov	.	
4,770,253	9/1988	Hallissy et al.	175/426 X
4,828,023	5/1989	Leggett	.	

FOREIGN PATENT DOCUMENTS

788637	1/1958	United Kingdom	.
2181764	4/1987	United Kingdom	.

OTHER PUBLICATIONS

PCT/SU89/00123; Feb. 1990; Grigorievich.

Primary Examiner—Antoine Duval Davis

[57] **CLAIM**

The ornamental design for a drill bit finger, as shown and described.

DESCRIPTION

FIG. 1 is a front view in elevation of a drill bit finger showing our new design;

FIG. 2 is a top view thereof in plan;

FIG. 3 is a left side view thereof in elevation;

FIG. 4 is a perspective view thereof from the front;

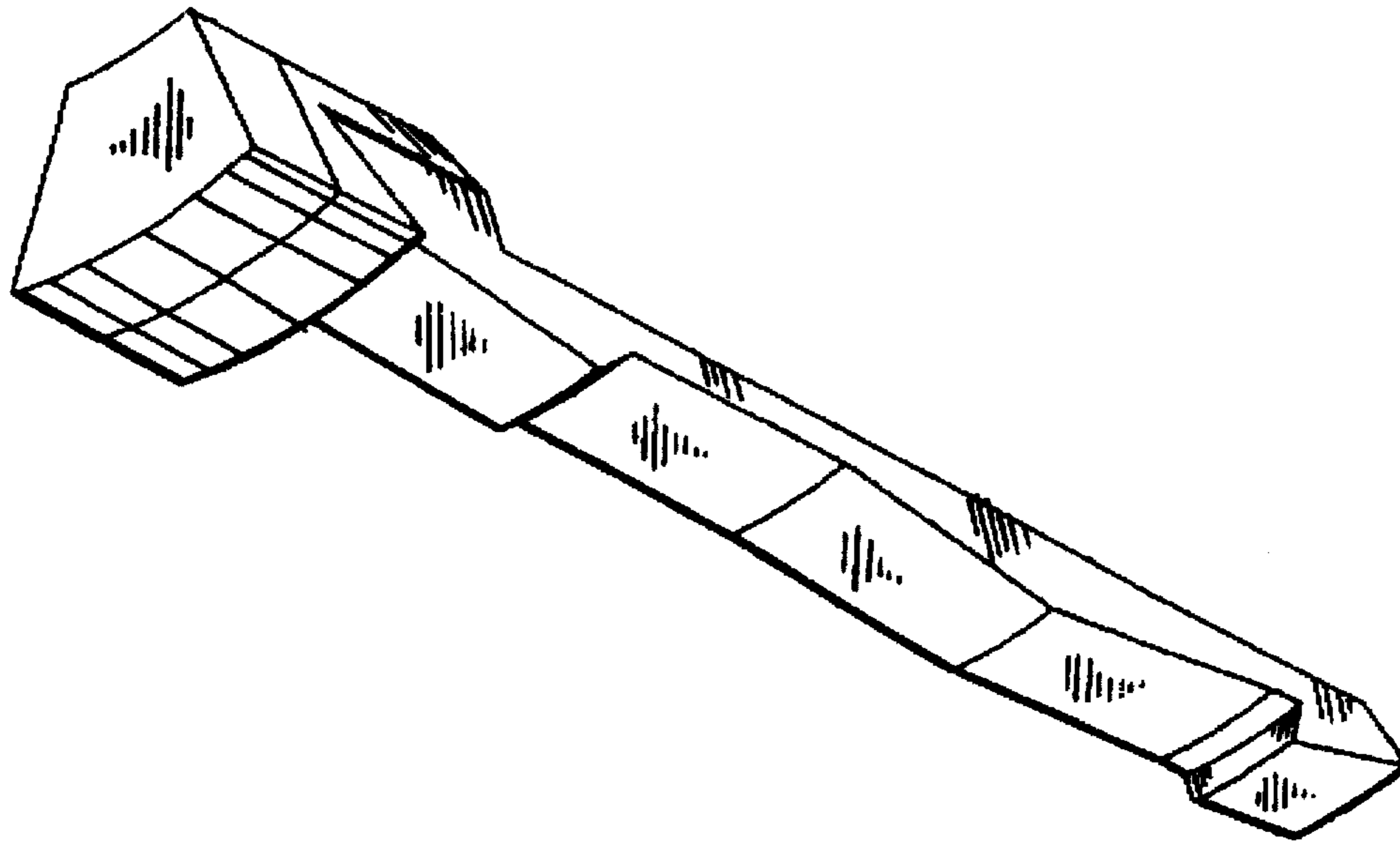
FIG. 5 is right side view thereof in elevation;

FIG. 6 is a bottom view thereof in plan;

FIG. 7 is a rear view thereof in elevation; and,

FIG. 8 is a perspective view thereof from the rear.

1 Claim, 2 Drawing Sheets



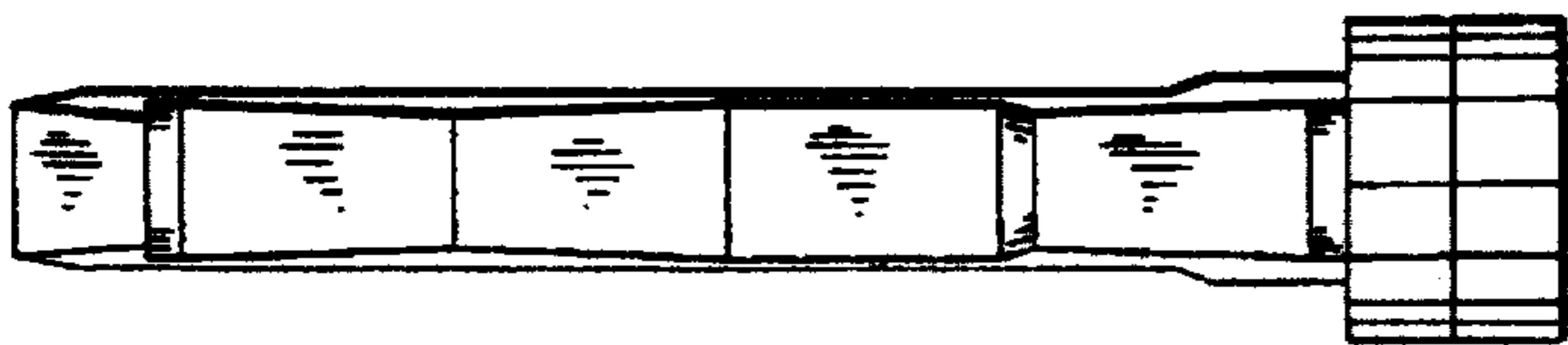


FIG. 1

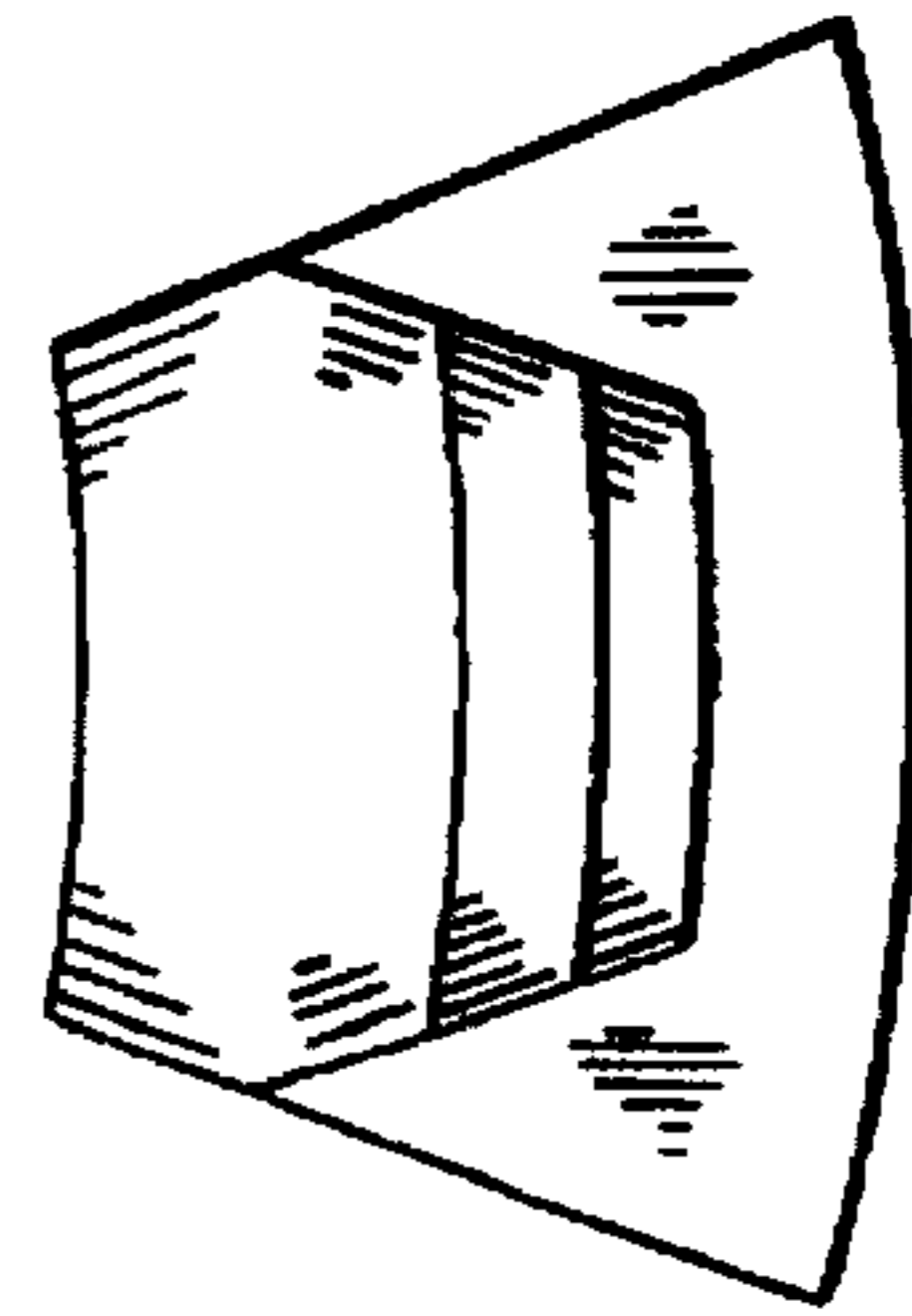


FIG. 2

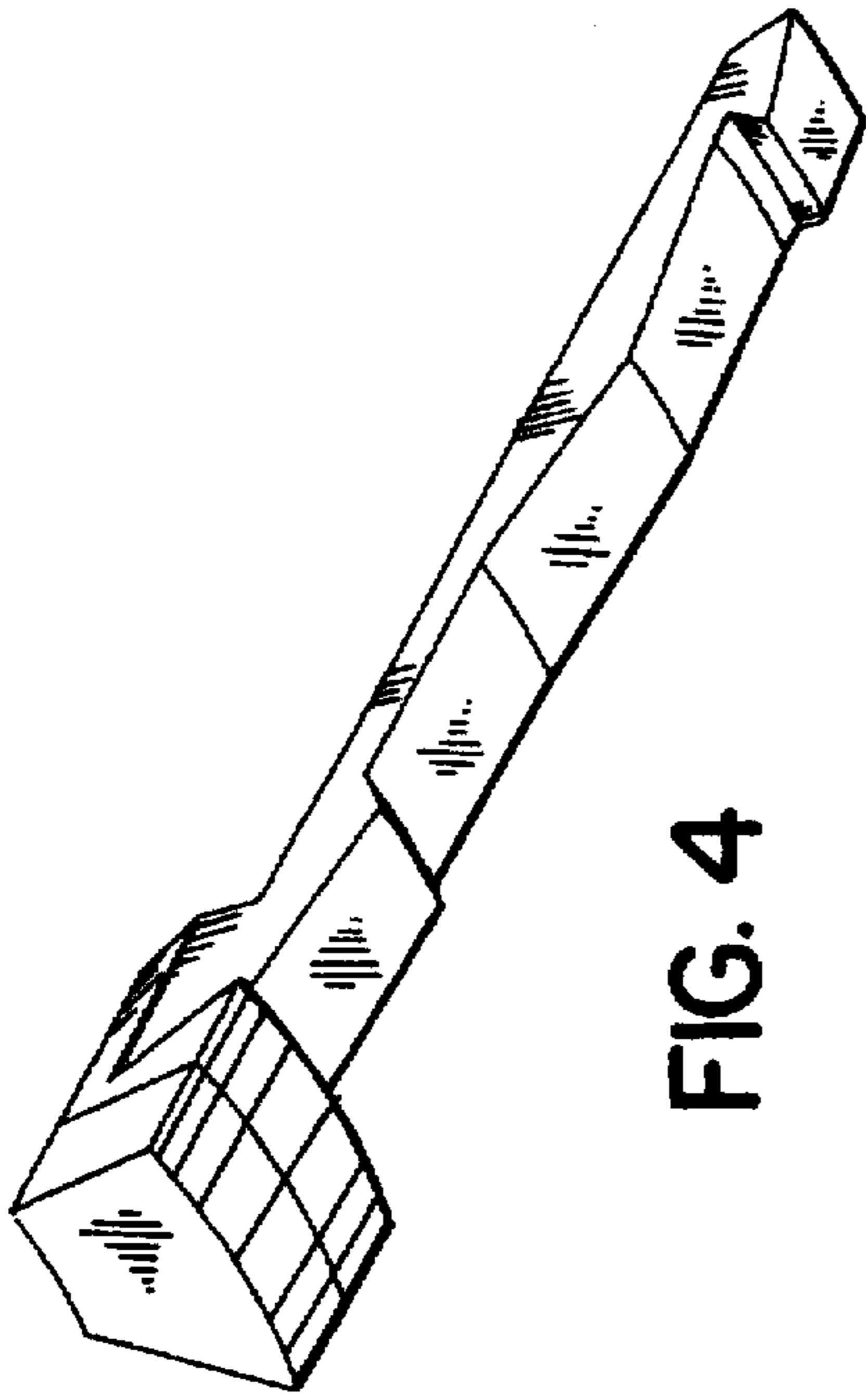


FIG. 4



FIG. 3

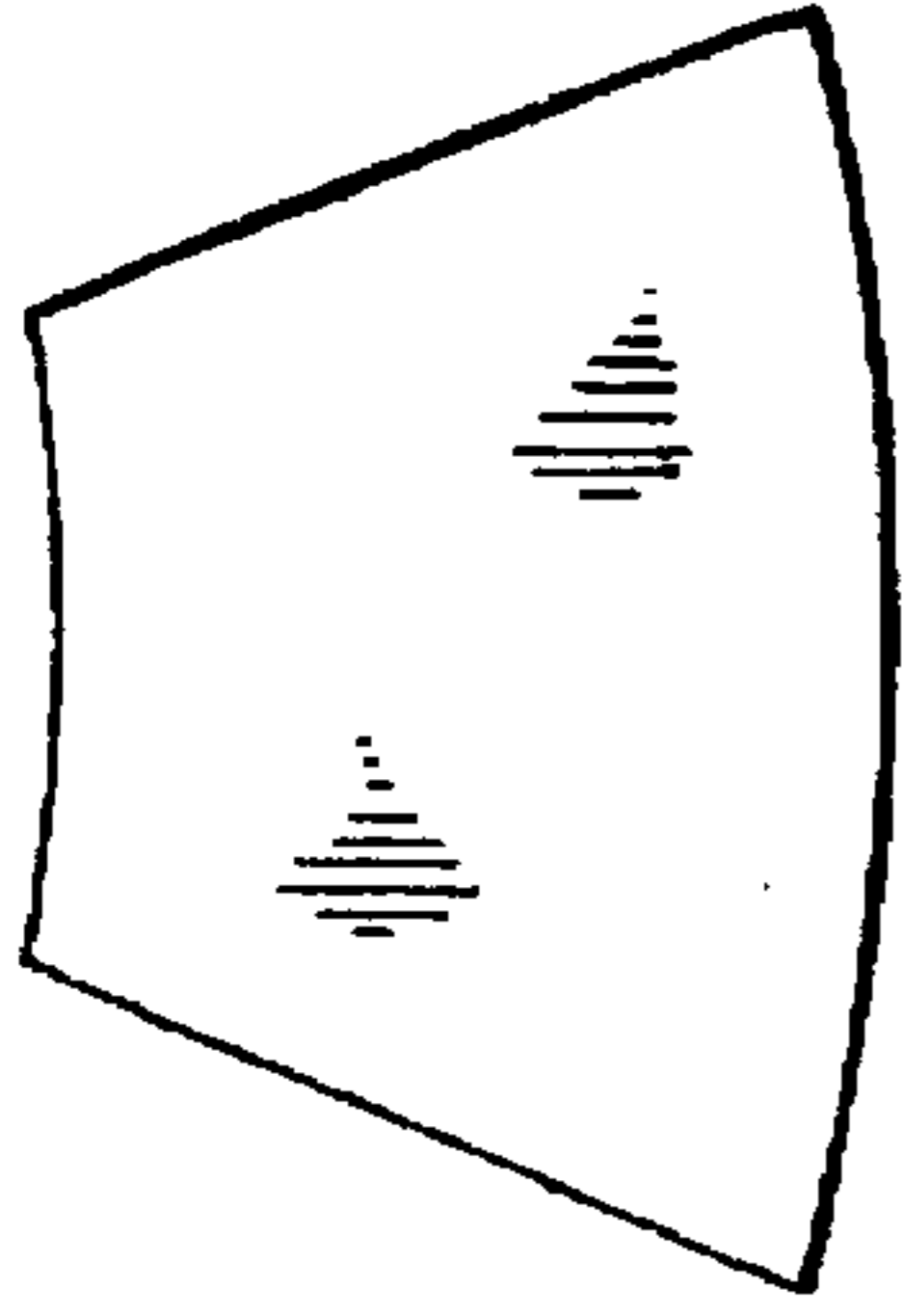


FIG. 6

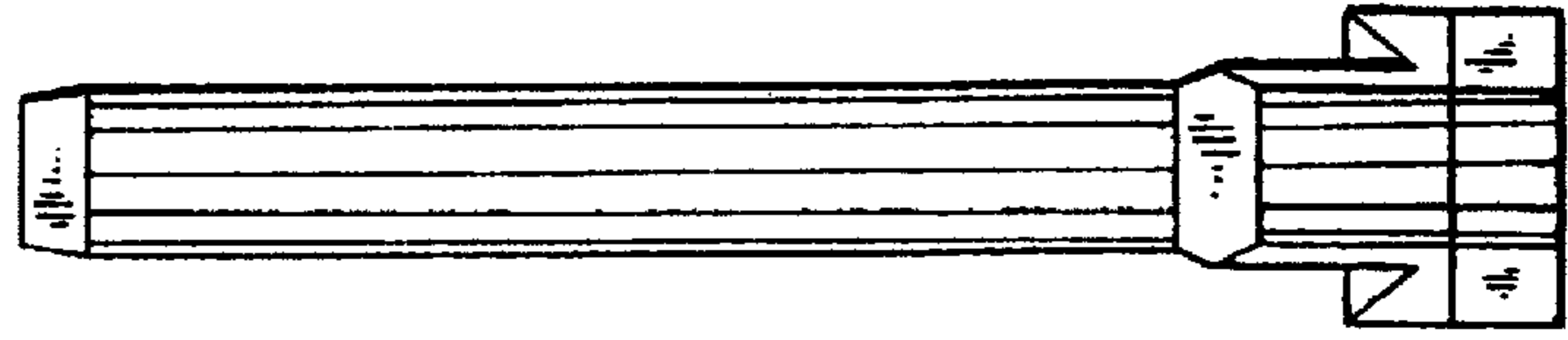


FIG. 7



FIG. 5

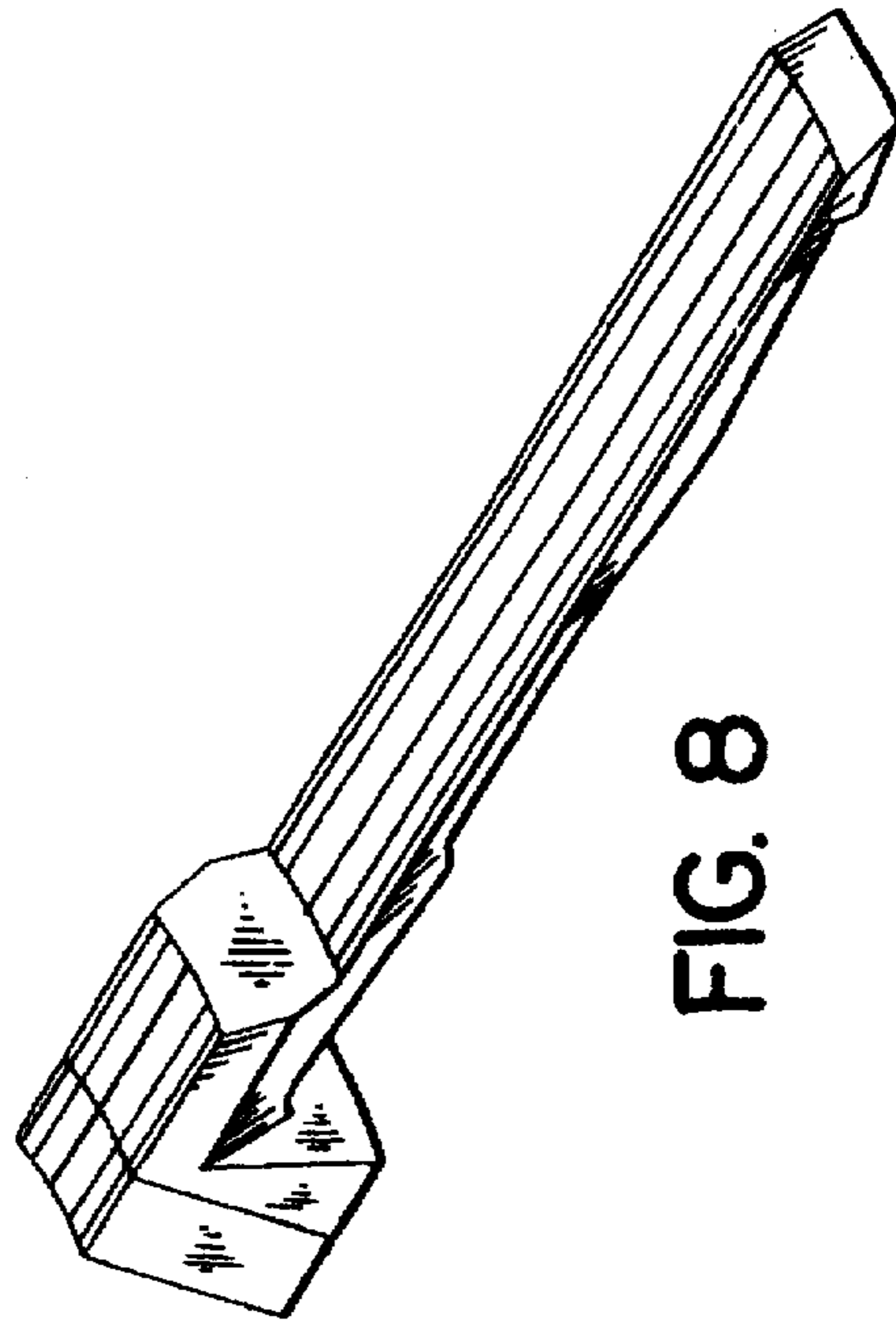


FIG. 8