



US00D384948S

United States Patent [19]

[11] Patent Number: **Des. 384,948**

Karidis et al.

[45] Date of Patent: ****Oct. 14, 1997**

[54] **PERSONAL COMPUTER HINGE CAM**

[75] Inventors: **John Peter Karidis**, Ossining, N.Y.; **Samuel Anthony Lucente, II**, Stamford, Conn.; **Michael Lamar King**, Durham; **Lawrence Allen Stone**, Cary, both of N.C.; **Gerard McVicker**, Wappingers Falls; **Michael P. Goldowsky**, Valhalla, both of N.Y.

[73] Assignee: **International Business Machines Corporation**, Armonk, N.Y.

[**] Term: **14 Years**

[21] Appl. No.: **40,080**

[22] Filed: **Jun. 9, 1995**

[51] LOC (6) Cl. **14-02**

[52] U.S. Cl. **D14/114**

[58] Field of Search **D14/114, 106; D8/323-329; 16/342, 223, 261**

[56] **References Cited**

U.S. PATENT DOCUMENTS

D. 187,180	2/1960	Dettinger	D8/327
D. 258,415	3/1981	DeStepheno	D8/323
D. 345,551	3/1994	Youens et al.	D14/106
D. 348,823	7/1994	Bisbing	D8/323
D. 365,336	12/1995	Vossoughi et al.	D14/106

D. 368,703	4/1996	Goodrich et al.	D14/106
4,959,887	10/1990	Gruenberg et al.	16/223
5,075,929	12/1991	Chung	16/342
5,231,734	8/1993	Rude	16/342
5,467,504	11/1995	Yang	16/342
5,498,165	3/1996	Tseng	16/223 X
5,507,072	4/1996	Youn	16/261

Primary Examiner—M. H. Tung
Attorney, Agent, or Firm—Bernard D. Bogdon

[57] **CLAIM**

The ornamental design for a personal computer hinge cam, as shown and described.

DESCRIPTION

FIG. 1 is a right side perspective view of a personal computer hinge cam showing our new design; FIG. 2 is a front elevational view thereof, on an enlarged scale; FIG. 3 is a right side elevational view thereof, on an enlarged scale; FIG. 4 is a rear elevational view thereof, on an enlarged scale; FIG. 5 is a top plan view thereof; and, FIG. 6 is a left side perspective view thereof. The broken line drawing of a personal computer in all figure views is for illustrative purposes only and forms no part of the claimed design.

1 Claim, 6 Drawing Sheets

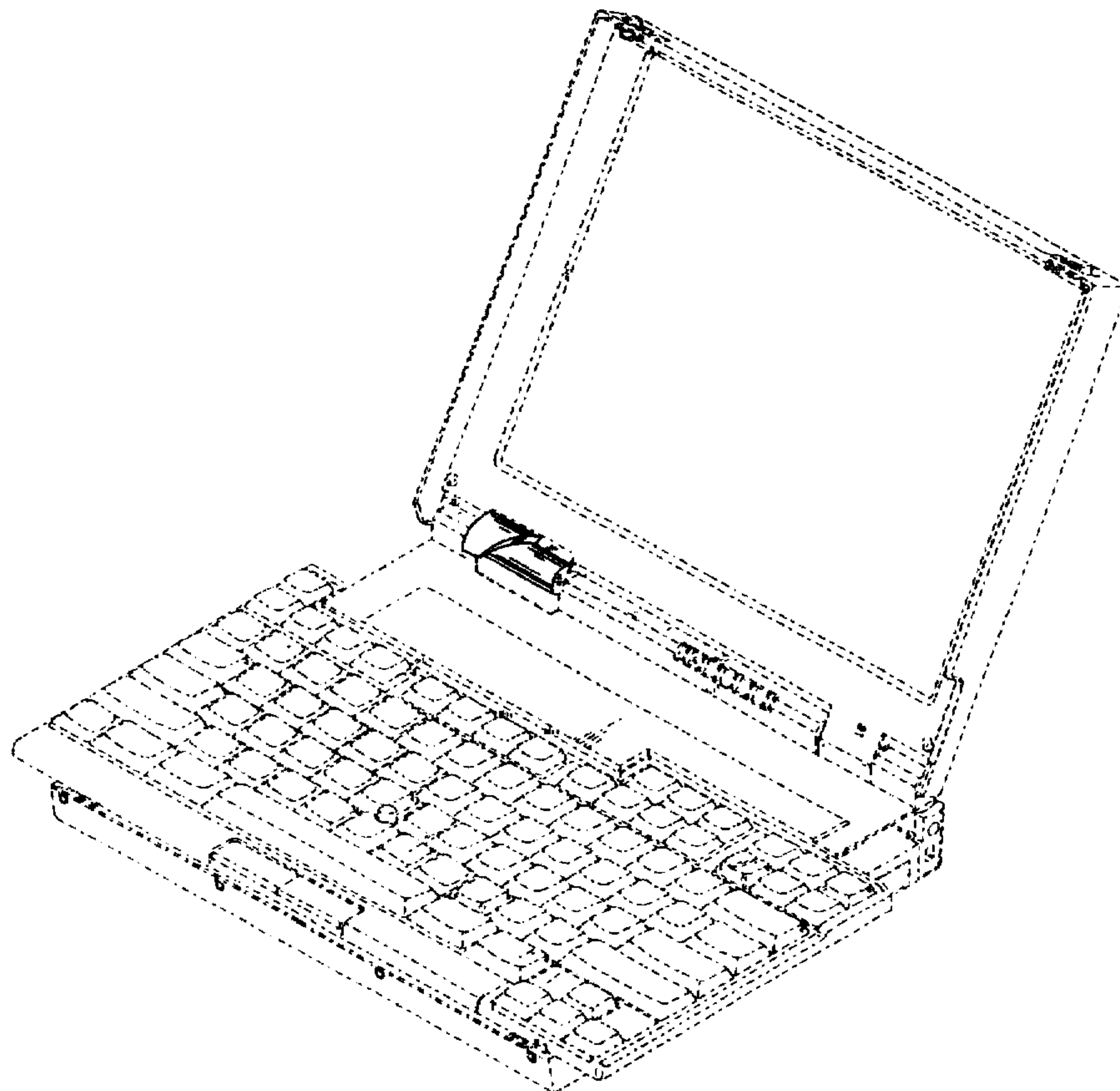


FIG. 1

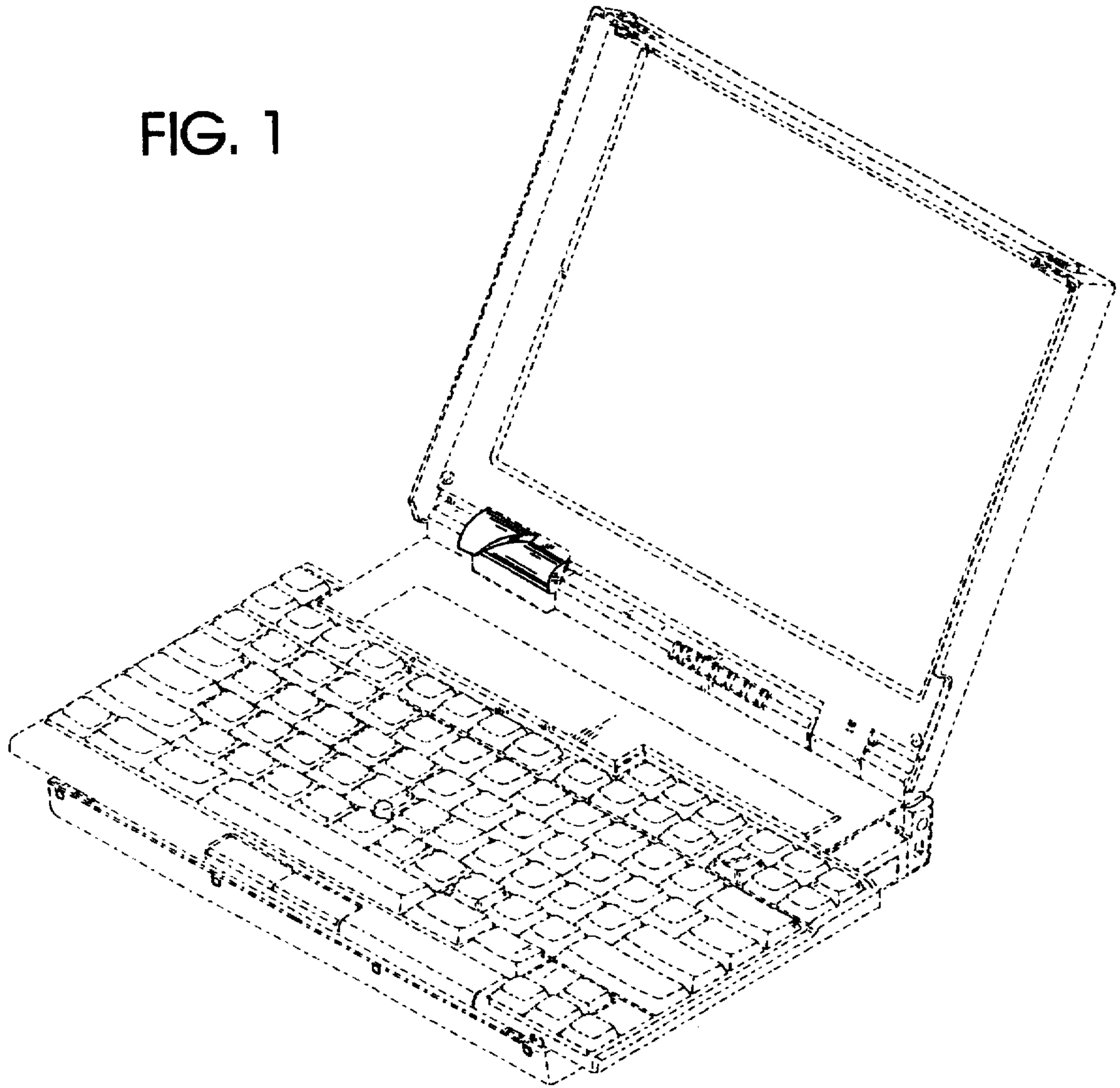
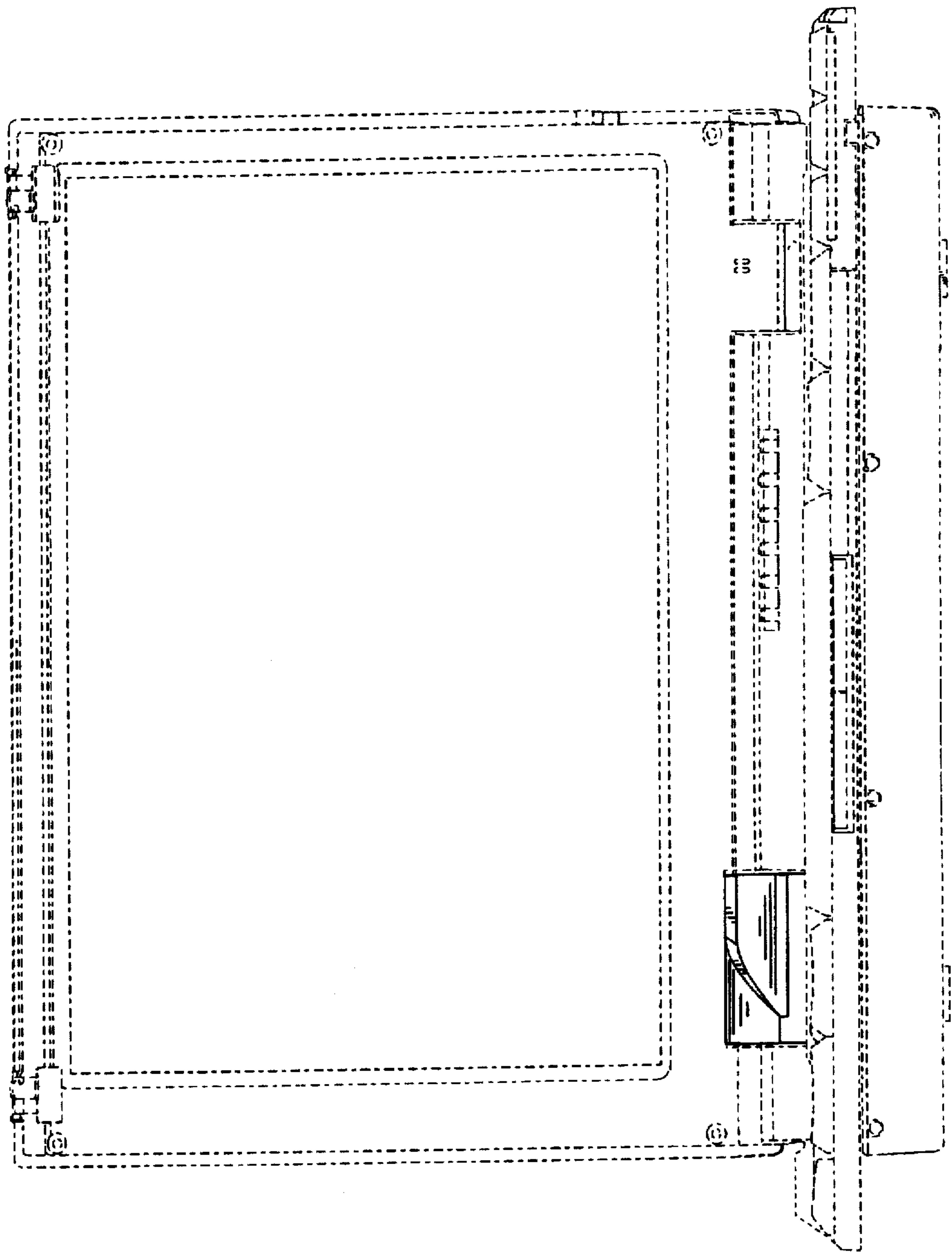


FIG. 2



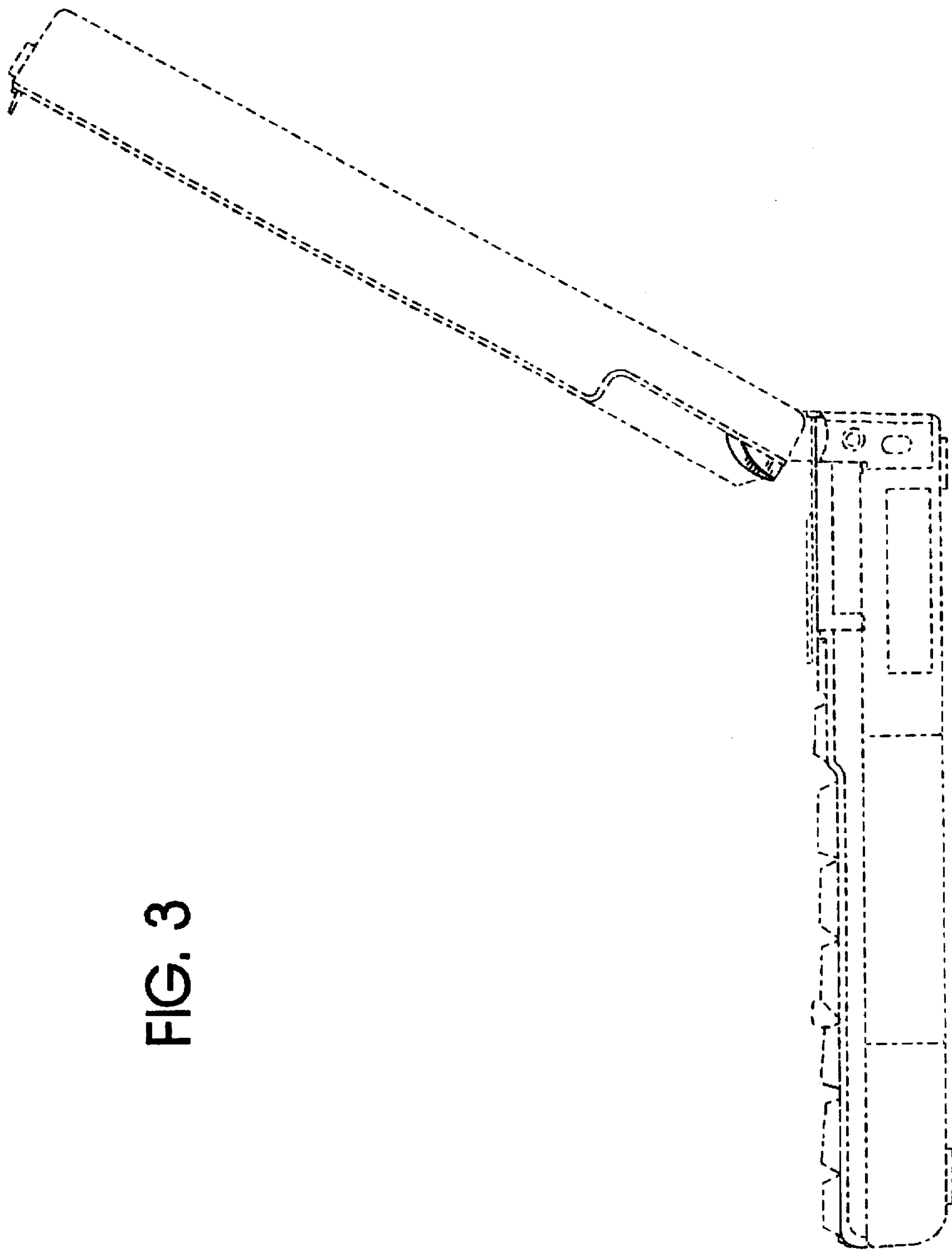


FIG. 3

FIG. 4

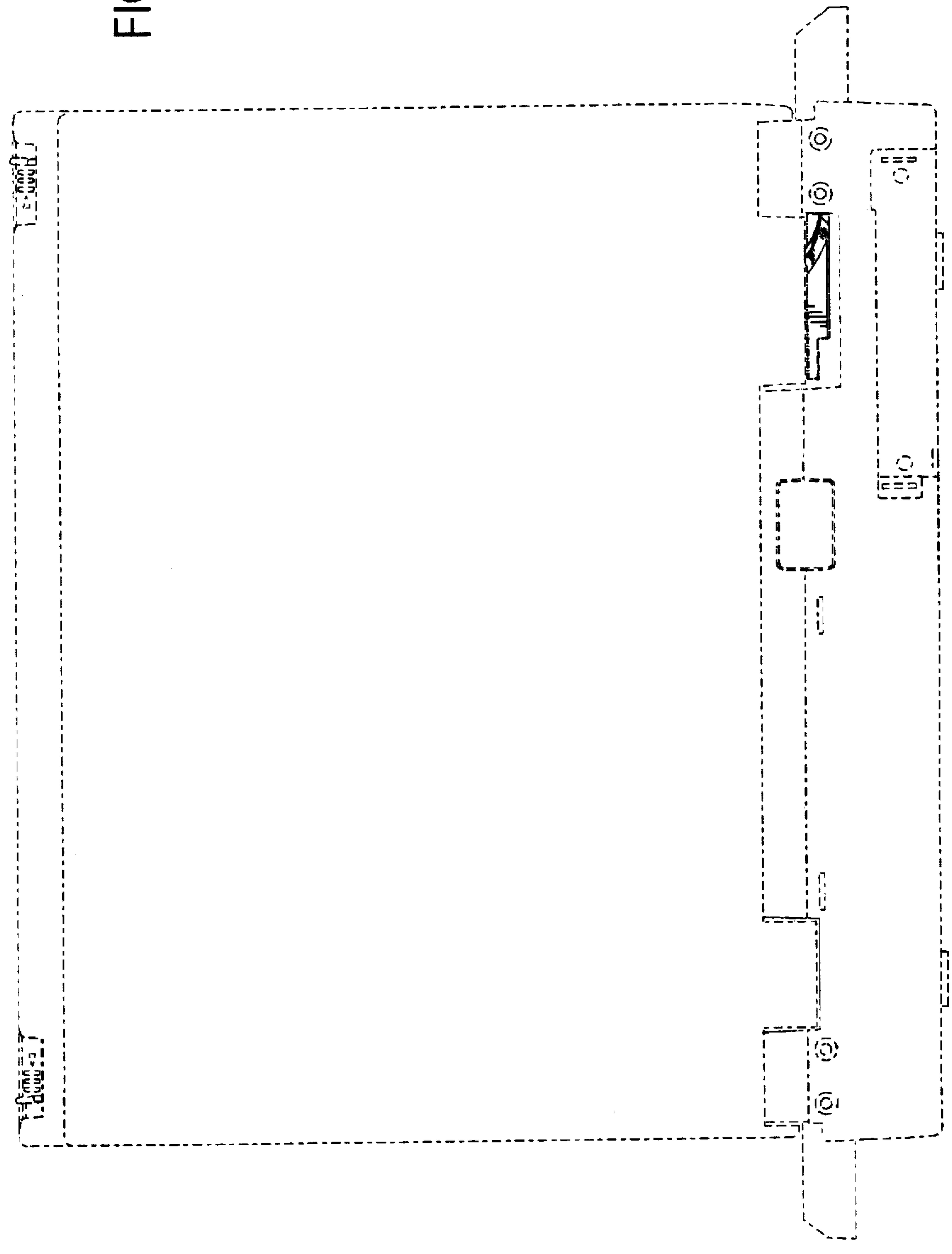


FIG. 5

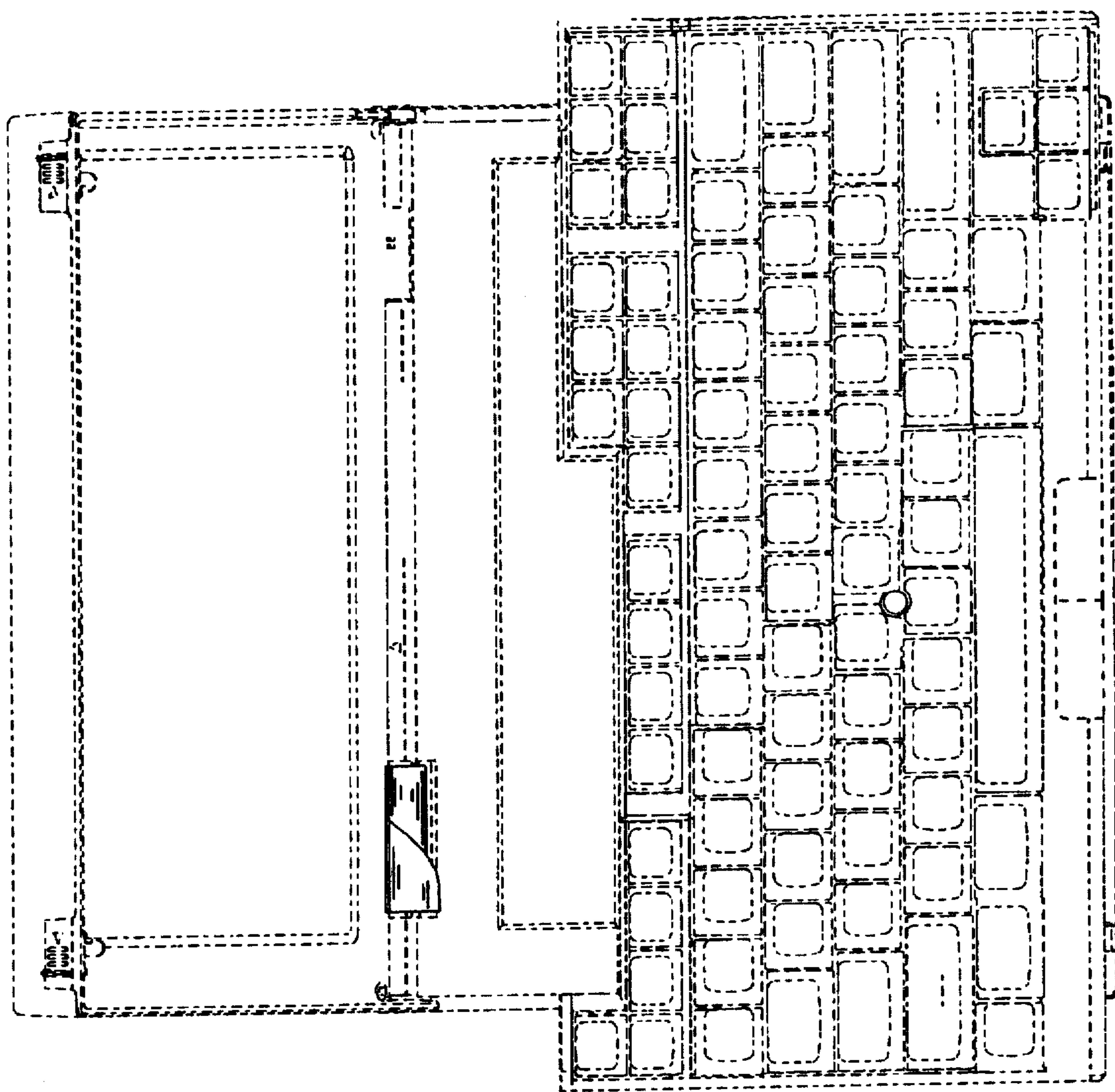


FIG. 6

