

US00D384947S

United States Patent [19]
Barthelemy et al.

[11] **Patent Number: Des. 384,947**
[45] **Date of Patent: ***Oct. 14, 1997**

[54] **MONITOR**

D. 349,277 8/1994 Merino et al. D14/113 X
D. 349,495 8/1994 Bak D14/126

[75] **Inventors: Matthew Barthelemy, Burlingame; Garry Goh, Mountain View; Daniel K. Harden, Palo Alto; Christopher Lenart, San Francisco; Barbara Saucedo, Palo Alto, all of Calif.**

Primary Examiner—Freda Nunn
Attorney, Agent, or Firm—Townsend and Townsend and Crew LLP

[73] **Assignee: Acer America Corporation, San Jose, Calif.**

[57] **CLAIM**

[*] **Notice:** The portion of the term of this patent subsequent to Jul. 2, 2010, has been disclaimed.

The ornamental design for a monitor, as shown and described.

[**] **Term: 14 Years**

DESCRIPTION

[21] **Appl. No.: 38,772**

FIG. 1 is the front, right side perspective view of a monitor showing our new design;

[22] **Filed: May 22, 1995**

FIG. 2 is a front elevational view thereof;

[51] **LOC (6) Cl. 14-02**

FIG. 3 is a right side elevational view thereof;

[52] **U.S. Cl. D14/113; D14/126**

FIG. 4 is a top, left side, rear perspective view thereof; and,

[58] **Field of Search D14/100, 101, D14/106, 113, 124-129; 345/104, 133, 156, 168, 173; 358/249, 254, 255; 248/917-924**

FIG. 5 is a bottom plan view thereof.

The pattern is partially shown across the bottom in FIGS. 1 and 2 for ease of illustration and it is understood to continue uniformly across the indicated surface.

[56] **References Cited**

U.S. PATENT DOCUMENTS

D. 320,390 10/1991 Williams et al. D14/113

1 Claim, 2 Drawing Sheets

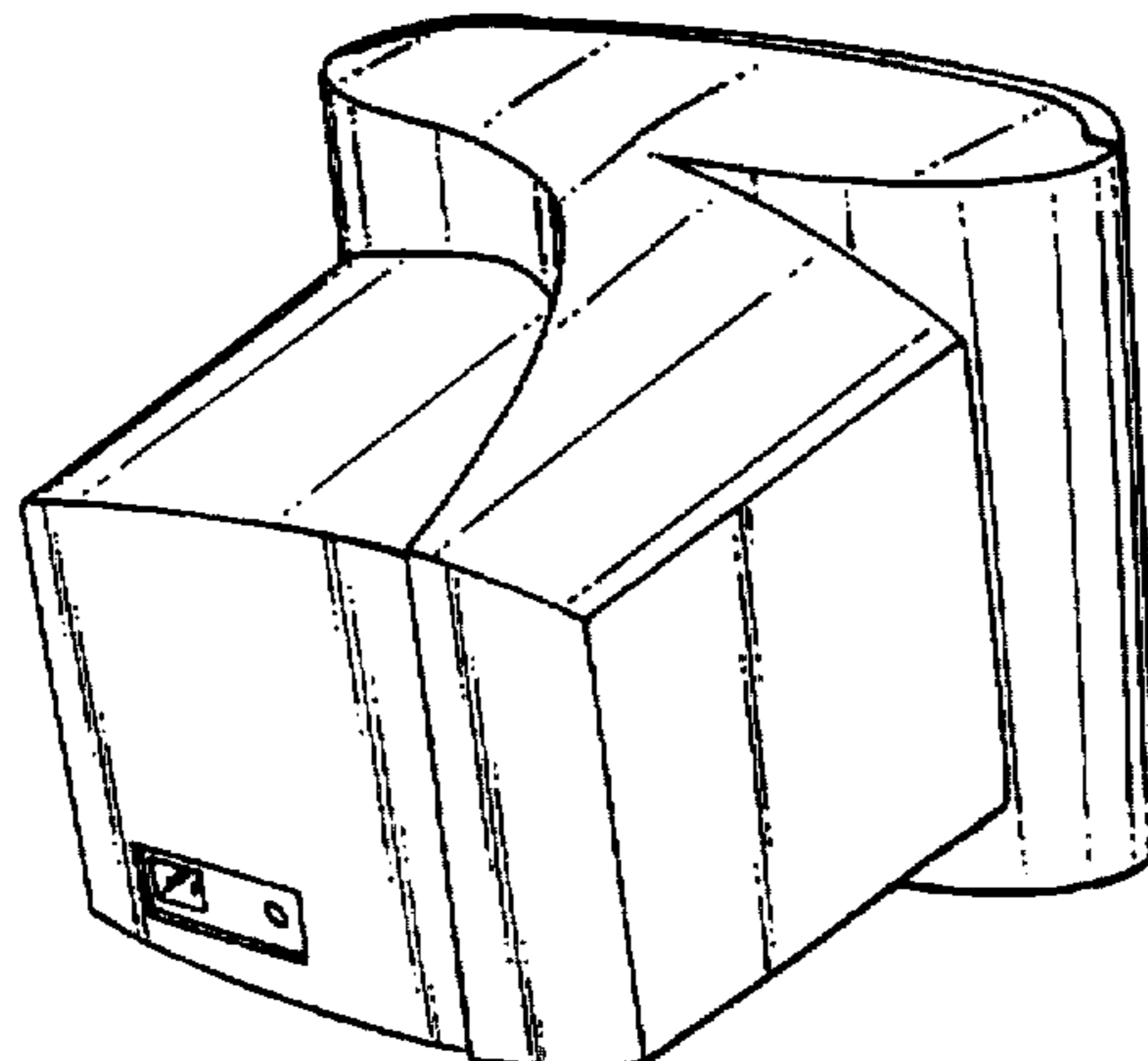
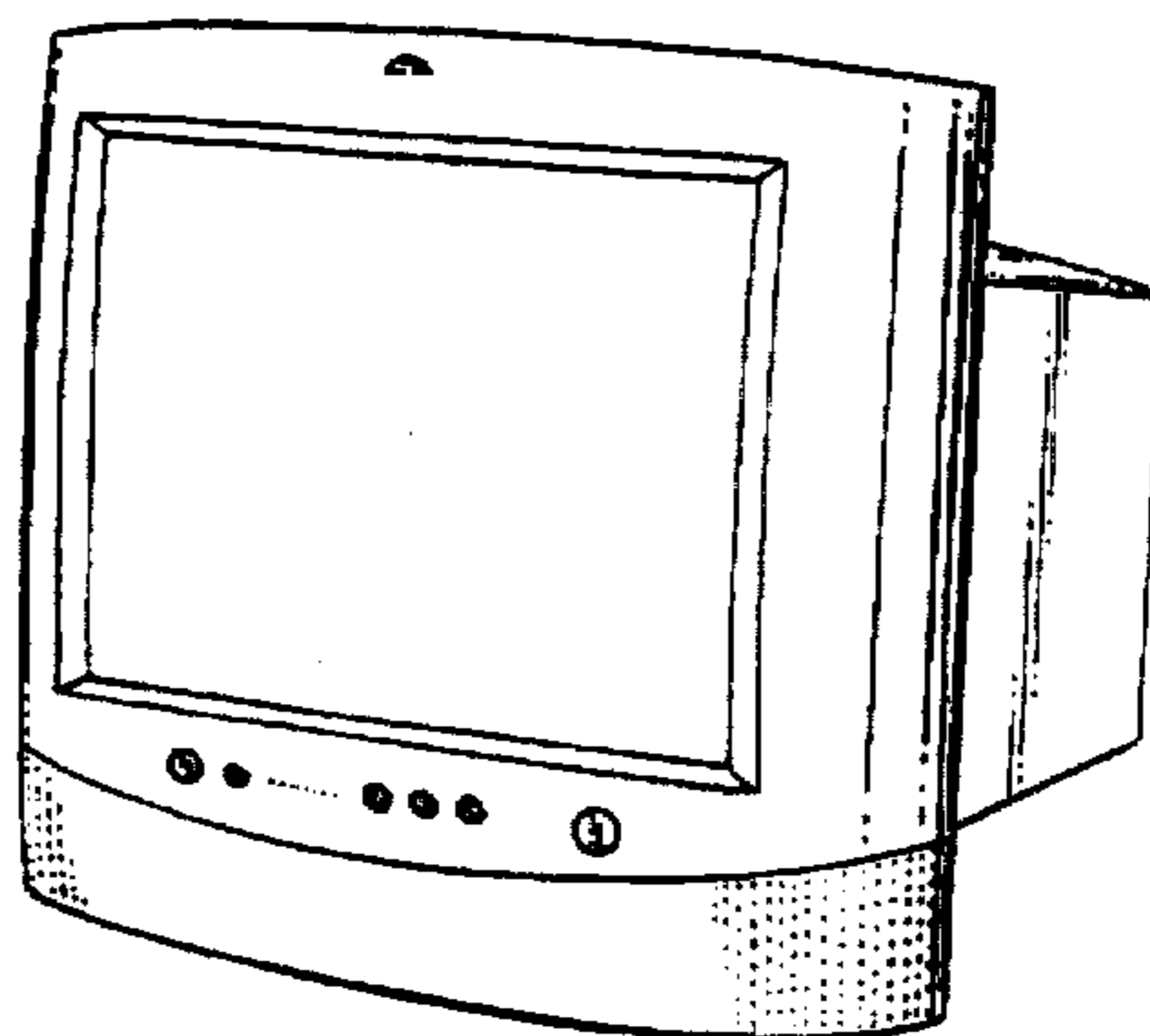


FIG. 1.

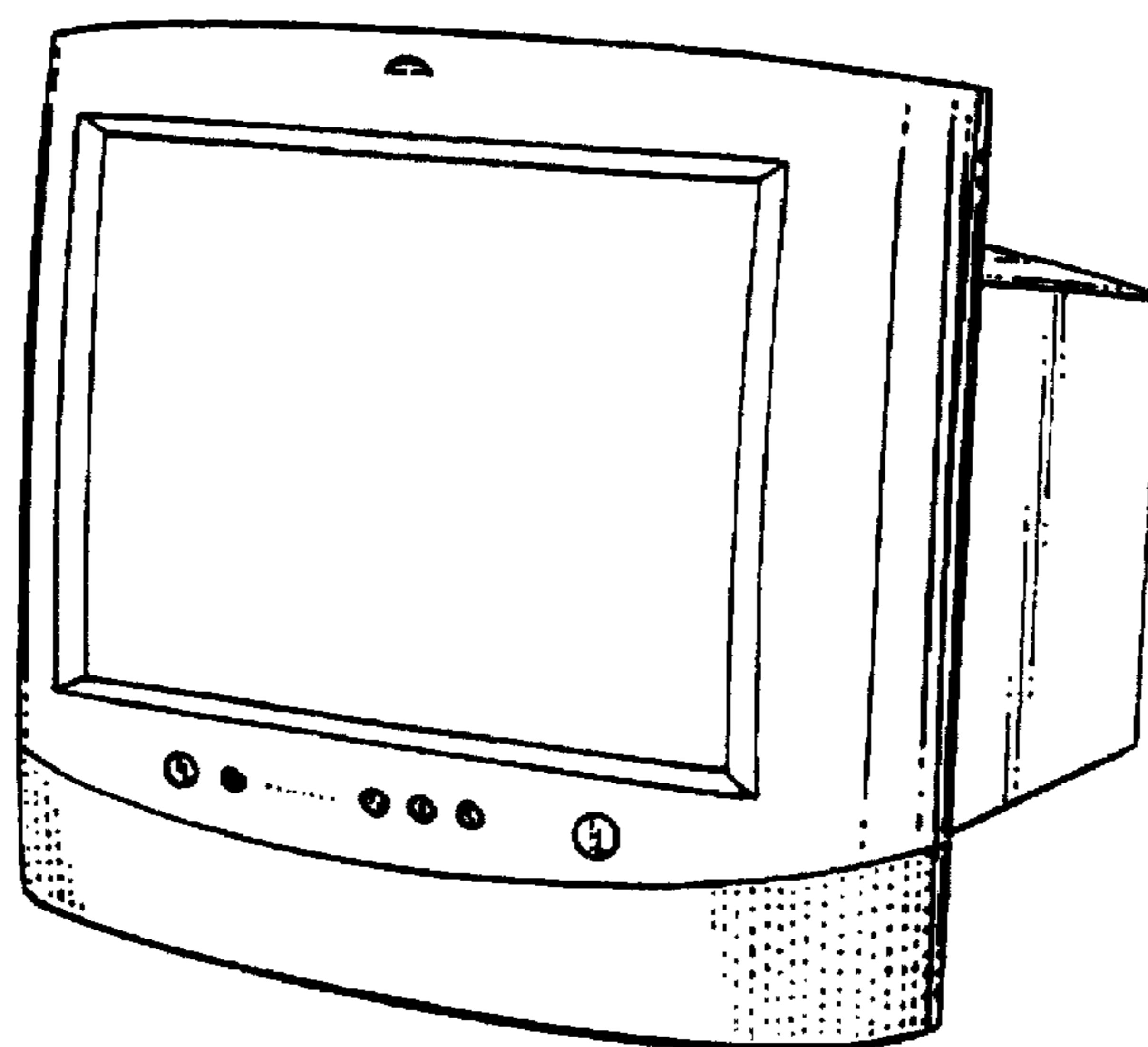


FIG. 2.

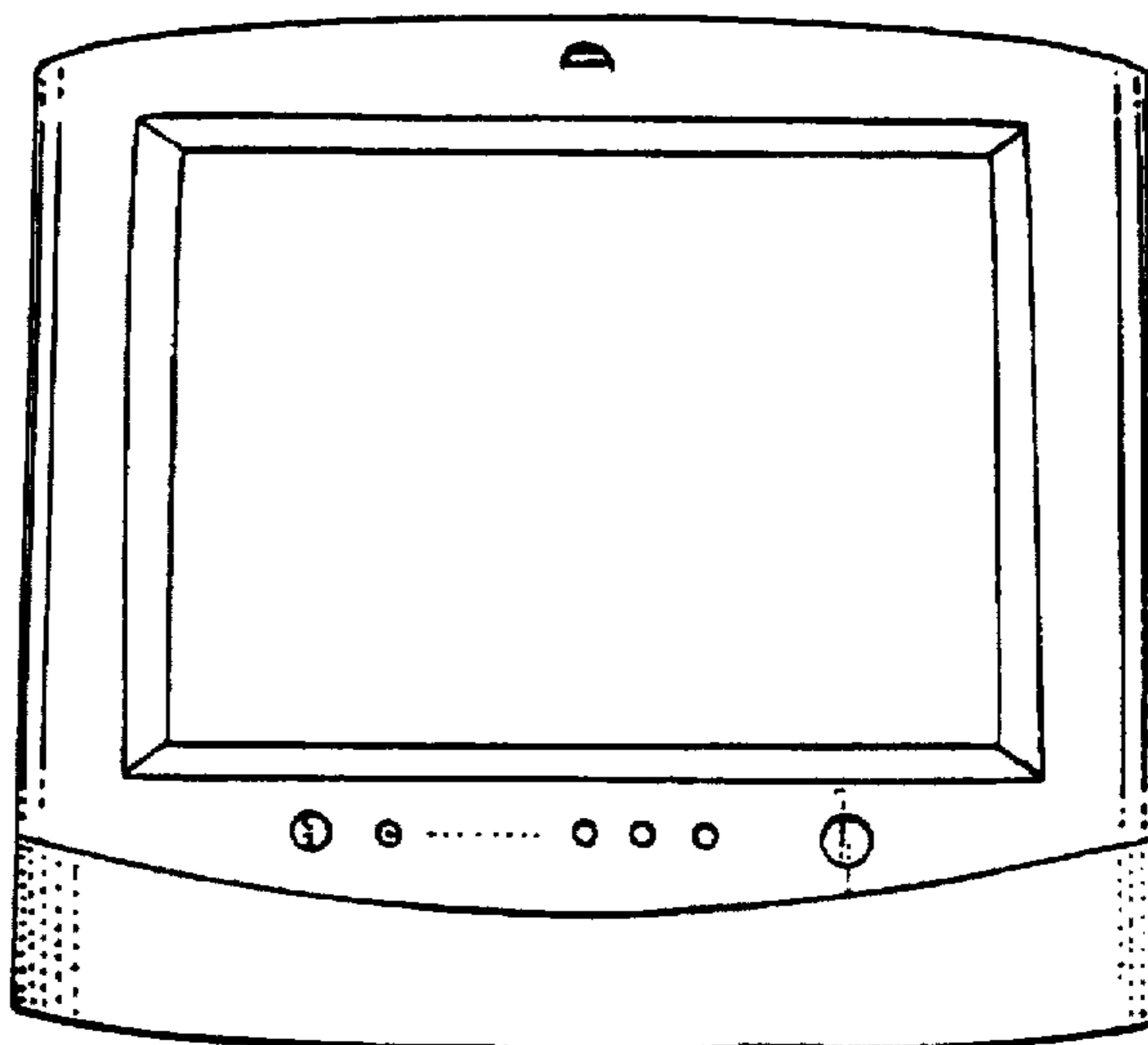
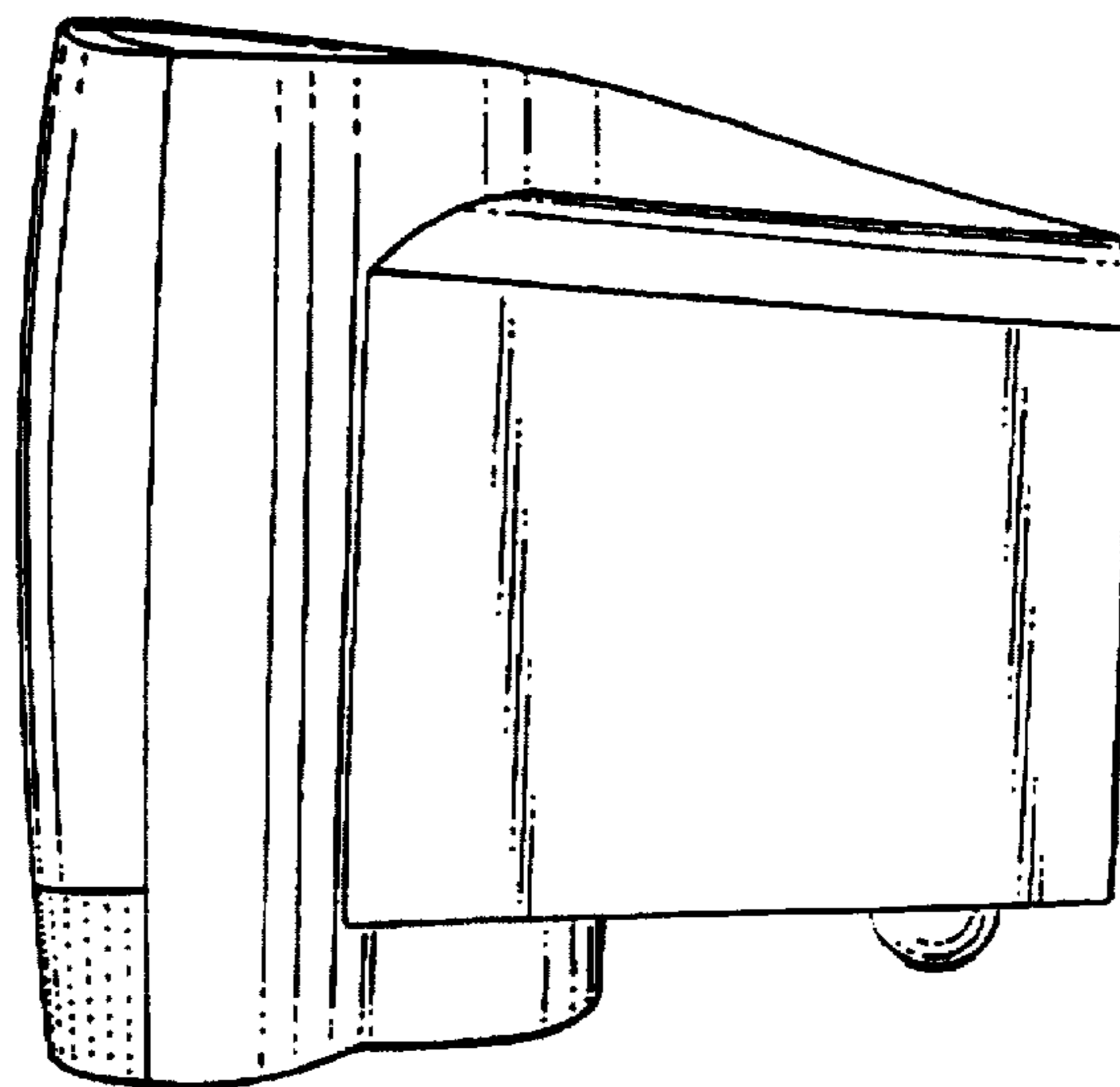


FIG. 3.



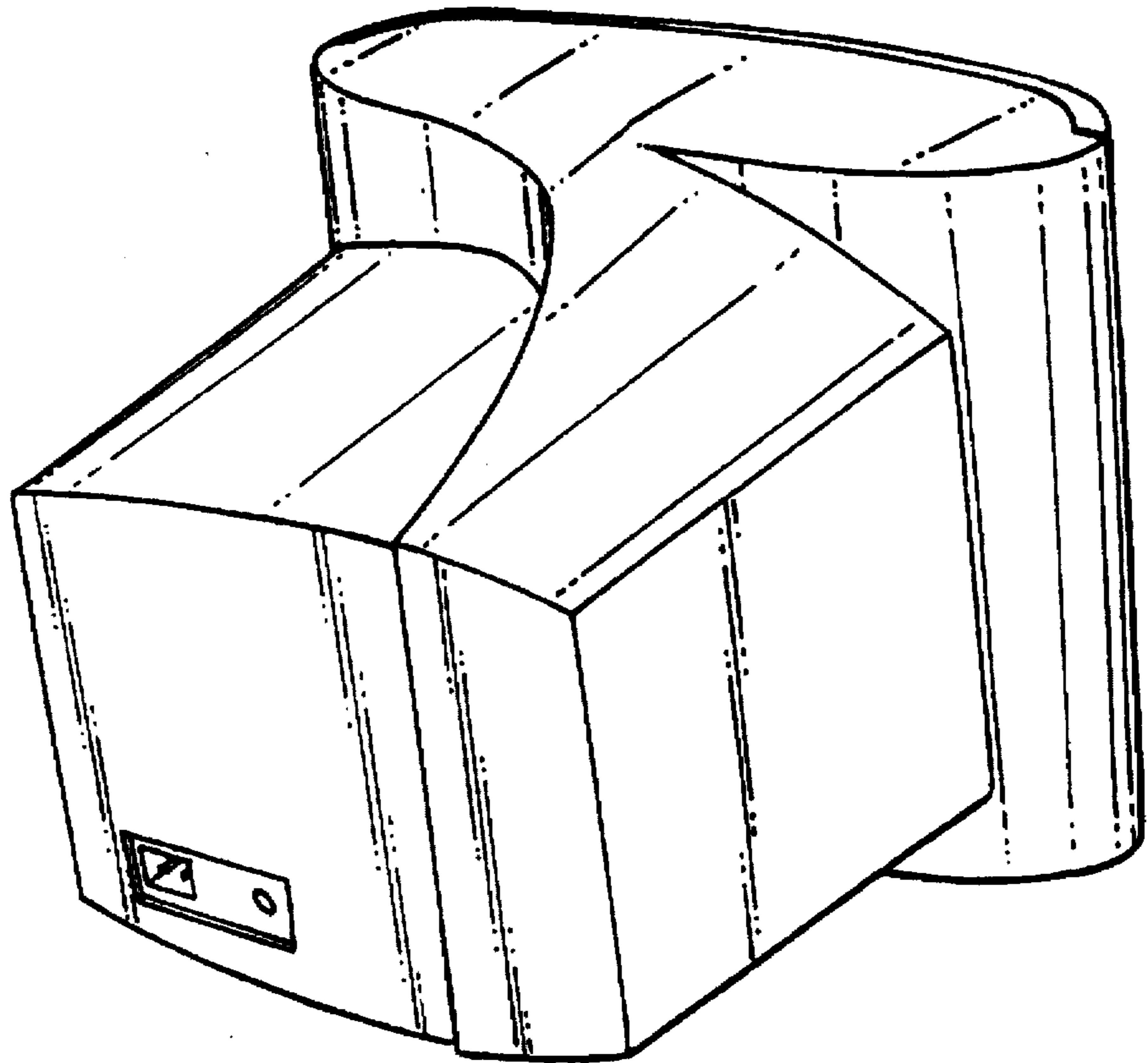


FIG. 4.

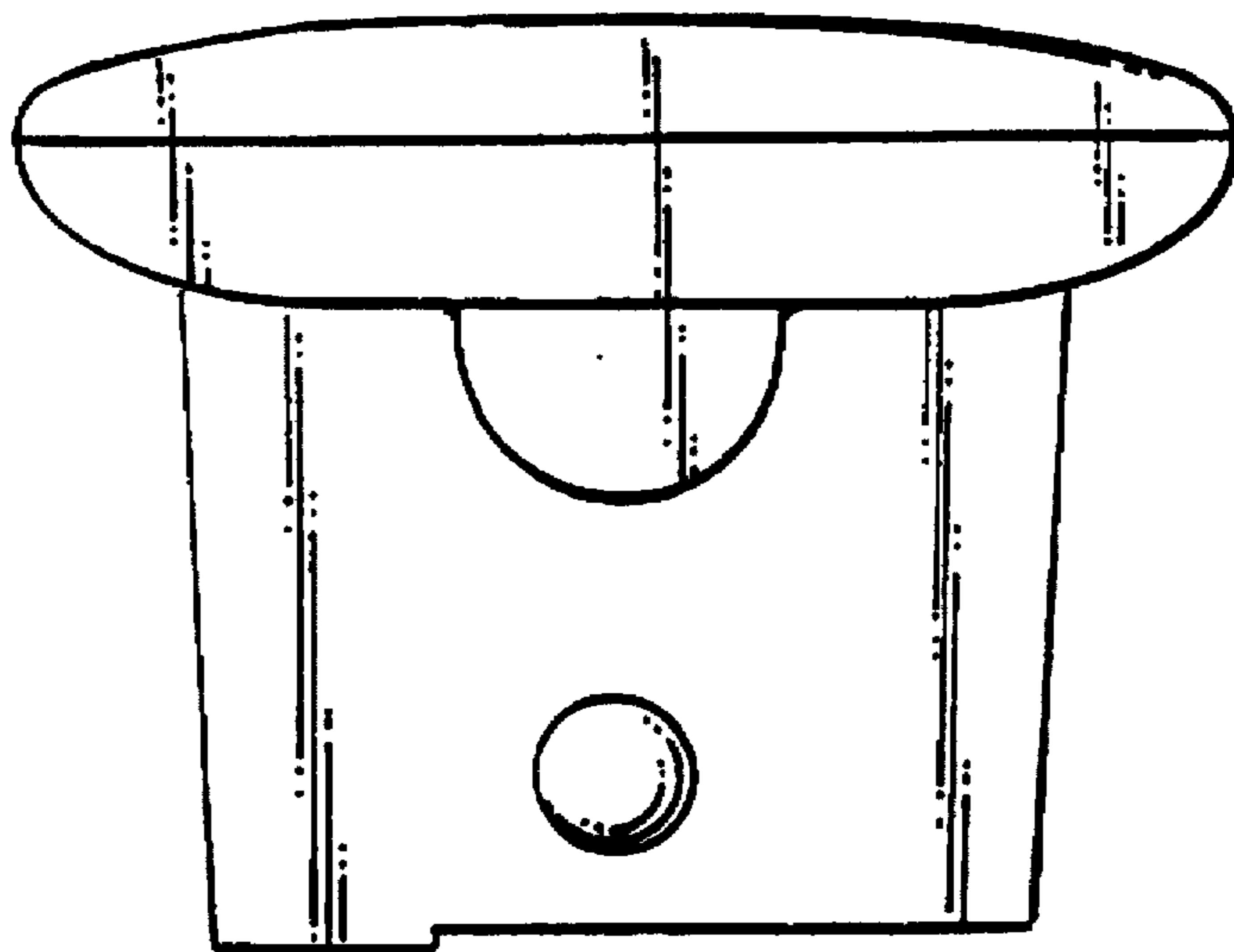


FIG. 5.