



US00D384945S

United States Patent [19]

[11] Patent Number: **Des. 384,945**

Takada et al.

[45] Date of Patent: ****Oct. 14, 1997**

[54] SCANNER FOR EMBROIDERY

[75] Inventors: **Sanae Takada; Shigemasa Kato**, both of Chofu, Japan

[73] Assignee: **Juki Corporation**, Tokyo, Japan

[**] Term: **14 Years**

[21] Appl. No.: **40,235**

[22] Filed: **Jun. 13, 1995**

[30] Foreign Application Priority Data

Dec. 14, 1994 [JP] Japan 6-38135

[51] LOC (6) Cl. **14-02**

[52] U.S. Cl. **D14/107; D15/66**

[58] Field of Search D14/100, 105, D14/106, 107, 115, 126, 129; D15/66, 69, 70, 72; D18/2, 7; 178/18, 19; 345/156, 168, 169, 172, 173, 87; 341/22, 23; 364/708.1; 112/445-448, 78, 236, 102.5; 250/563, 566; 358/408, 472, 479, 497; 235/454, 462, 470, 476, 482, 483, 441; 382/59

[56] References Cited

U.S. PATENT DOCUMENTS

- D. 284,670 7/1986 Yoneda D15/69
- D. 312,245 11/1990 Uchida D15/72 X
- D. 316,856 5/1991 Urushihara et al. D14/126 X
- D. 341,572 11/1993 Kuroki D14/100
- D. 367,473 2/1996 Tochishita et al. D14/105
- 4,292,905 10/1981 Widmer D14/100 X
- 5,218,916 6/1993 Kurono et al. 112/102.5
- 5,253,599 10/1993 Hashiride 112/102.5

FOREIGN PATENT DOCUMENTS

746988 10/1988 Japan D14/106

OTHER PUBLICATIONS

Brother brochure and Secio brochure. While these brochures do not bear a date, they are believed to be prior art.

Primary Examiner—Freda Nunn
Attorney, Agent, or Firm—Morgan & Finnegan, L.L.P.

[57] CLAIM

The ornamental design for a scanner for embroidery, as shown and described.

DESCRIPTION

FIG. 1 is a perspective view of the design for a scanner for embroidery in accordance with the present invention with the top lid in the closed position;

FIG. 2 is a top view thereof with the top lid in the closed position;

FIG. 3 is a bottom view thereof;

FIG. 4 is a perspective view of the design for a scanner for embroidery in accordance with the present invention with the top lid in an open position;

FIG. 5 is a perspective view of the design for a scanner for embroidery in accordance with the present invention with the top lid in an open position and the scanner in a withdrawn position;

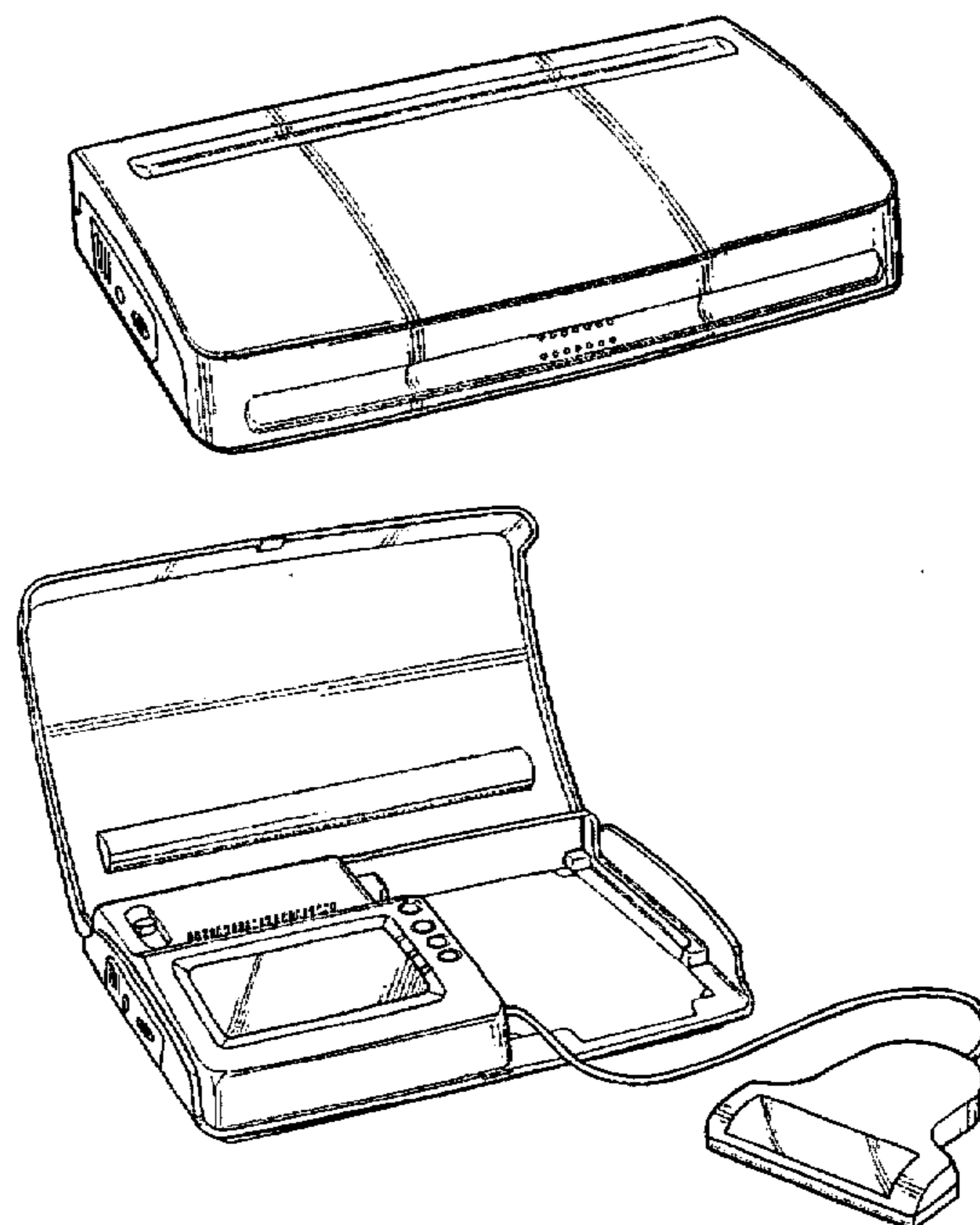
FIG. 6 is a top view thereof with the top lid in an open position;

FIG. 7 is a front view thereof with the top lid in an open position;

FIG. 8 is a left side view thereof with the top lid in an open position; and,

FIG. 9 is a right side view thereof with the top lid in an open position.

1 Claim, 4 Drawing Sheets



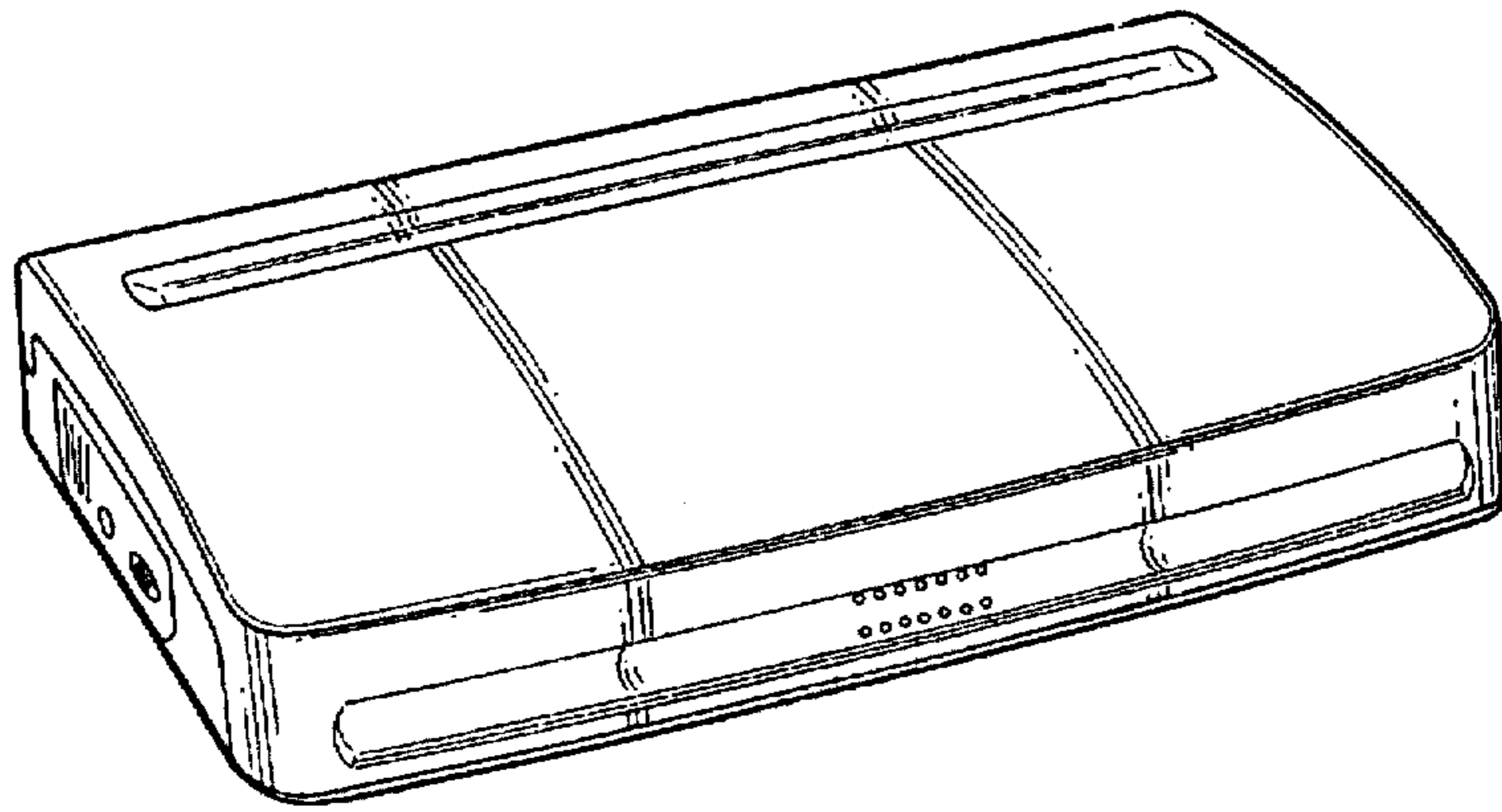


FIG. 1

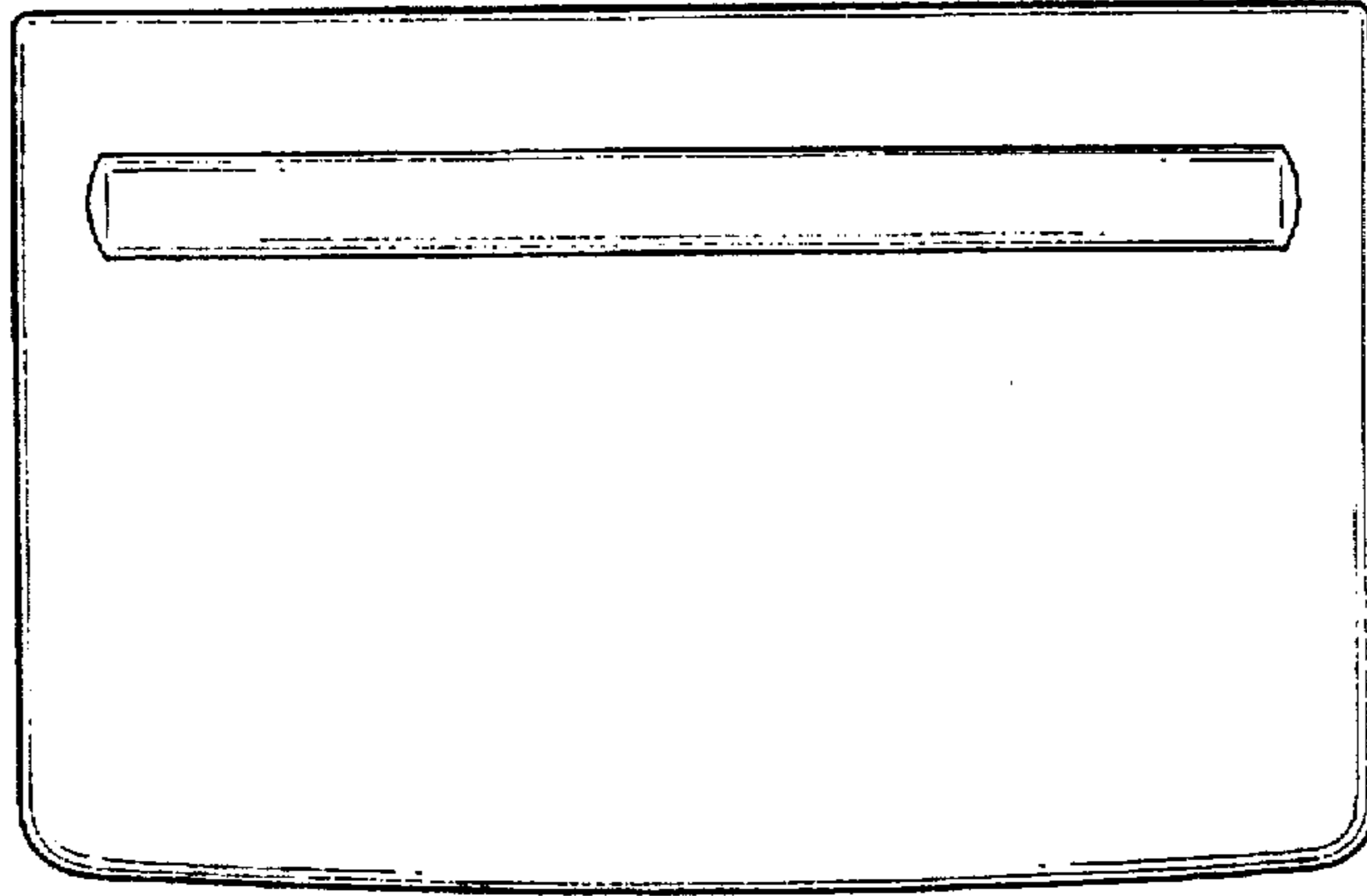


FIG. 2

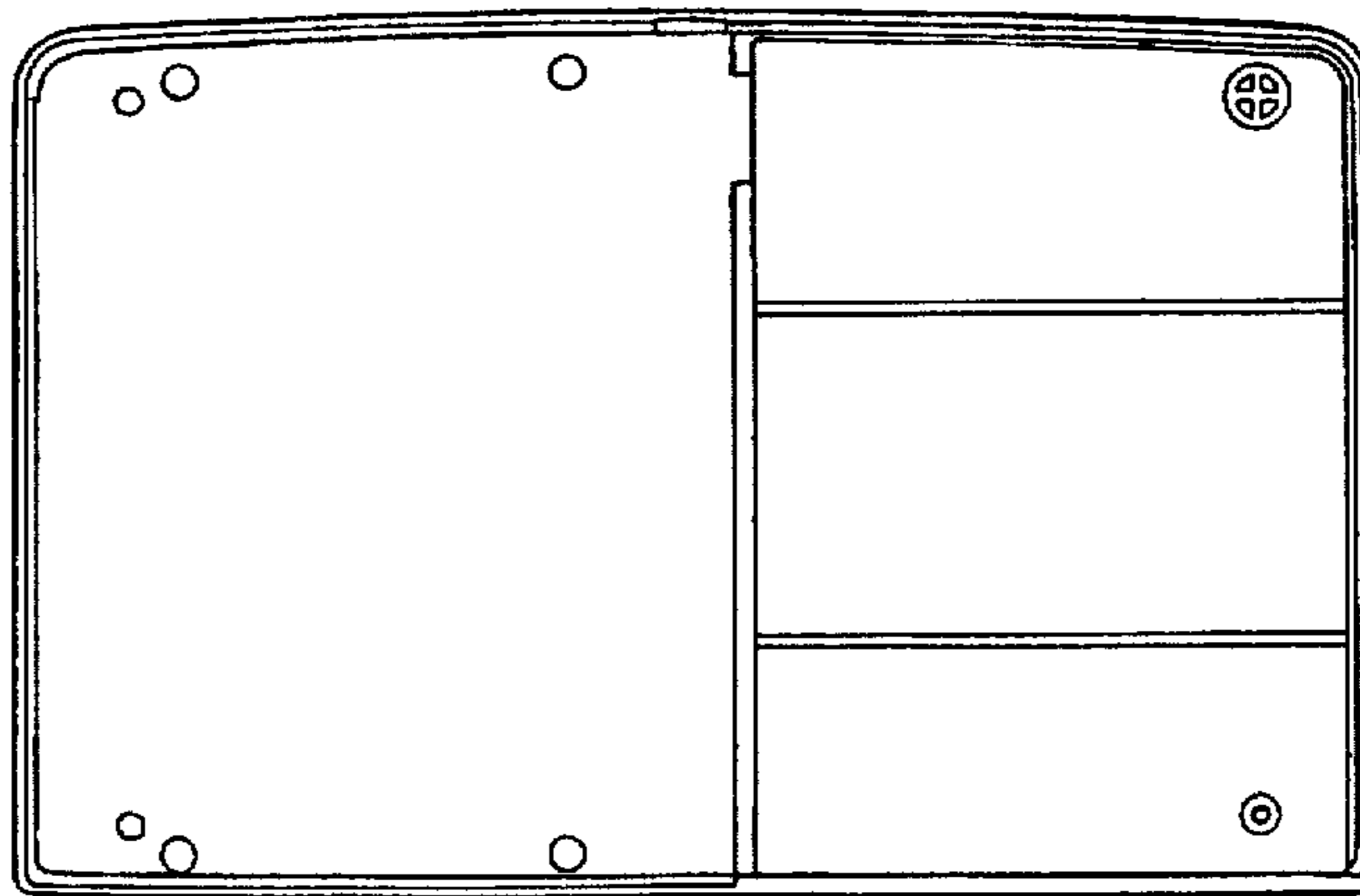


FIG. 3

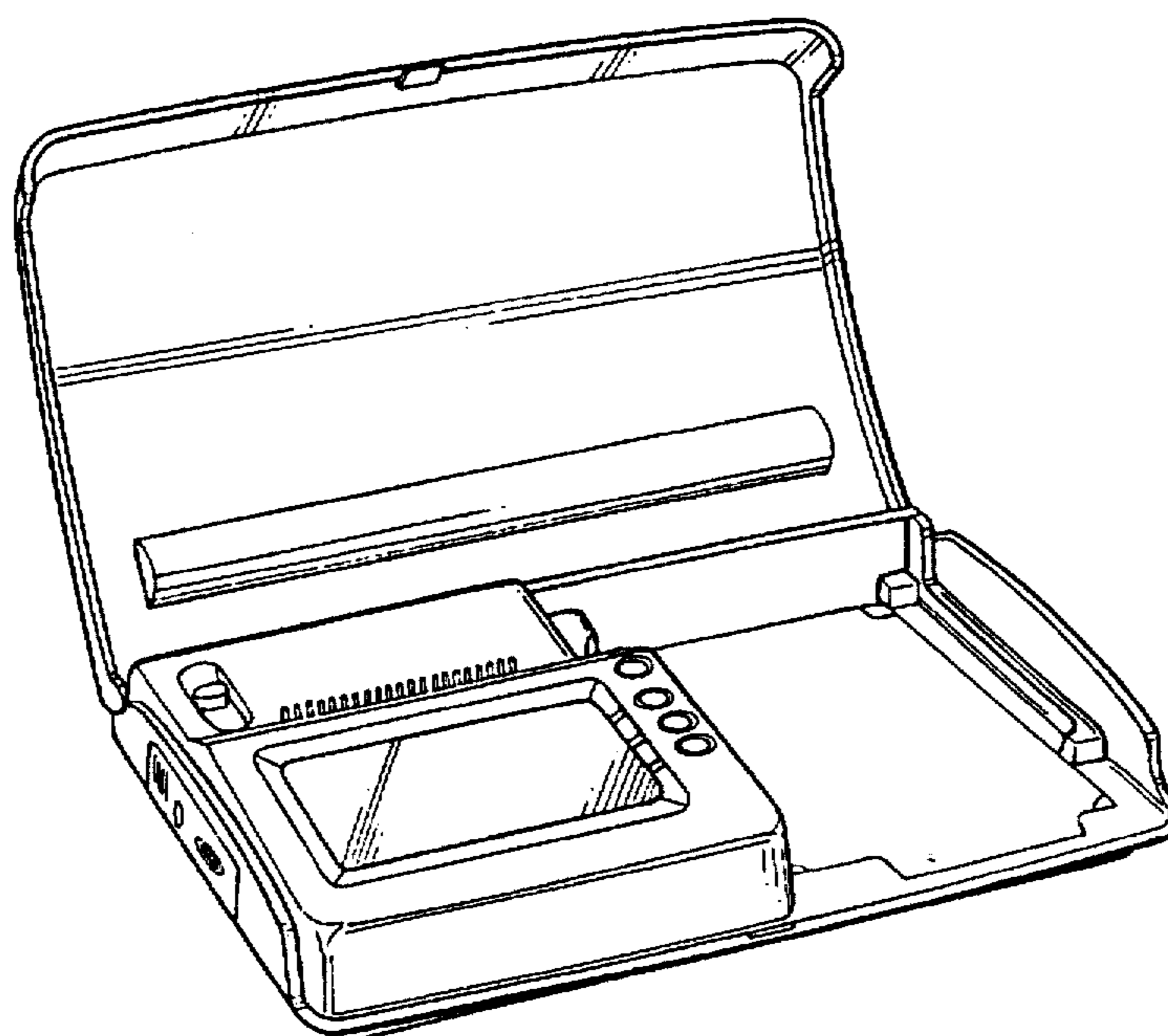


FIG. 4

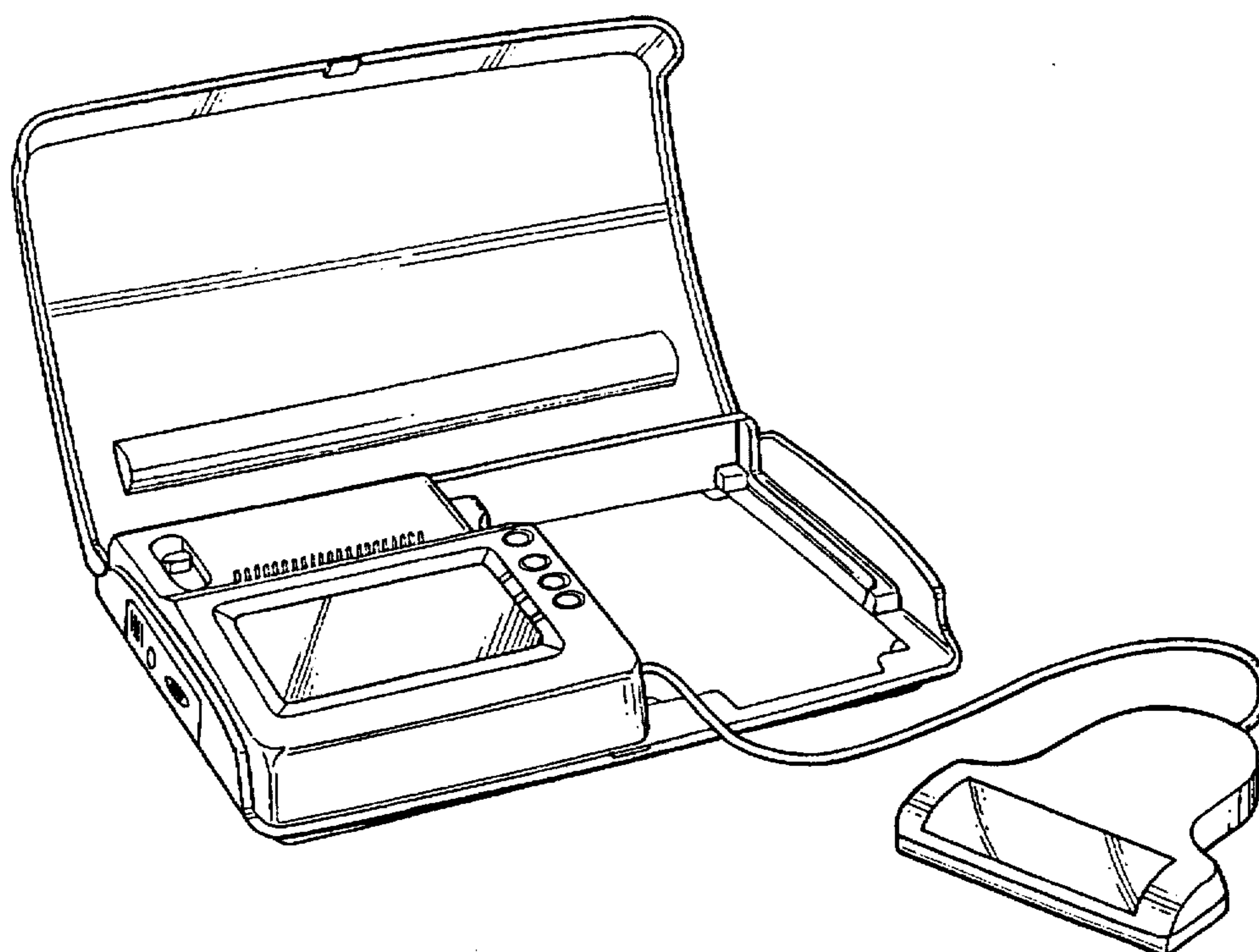


FIG. 5

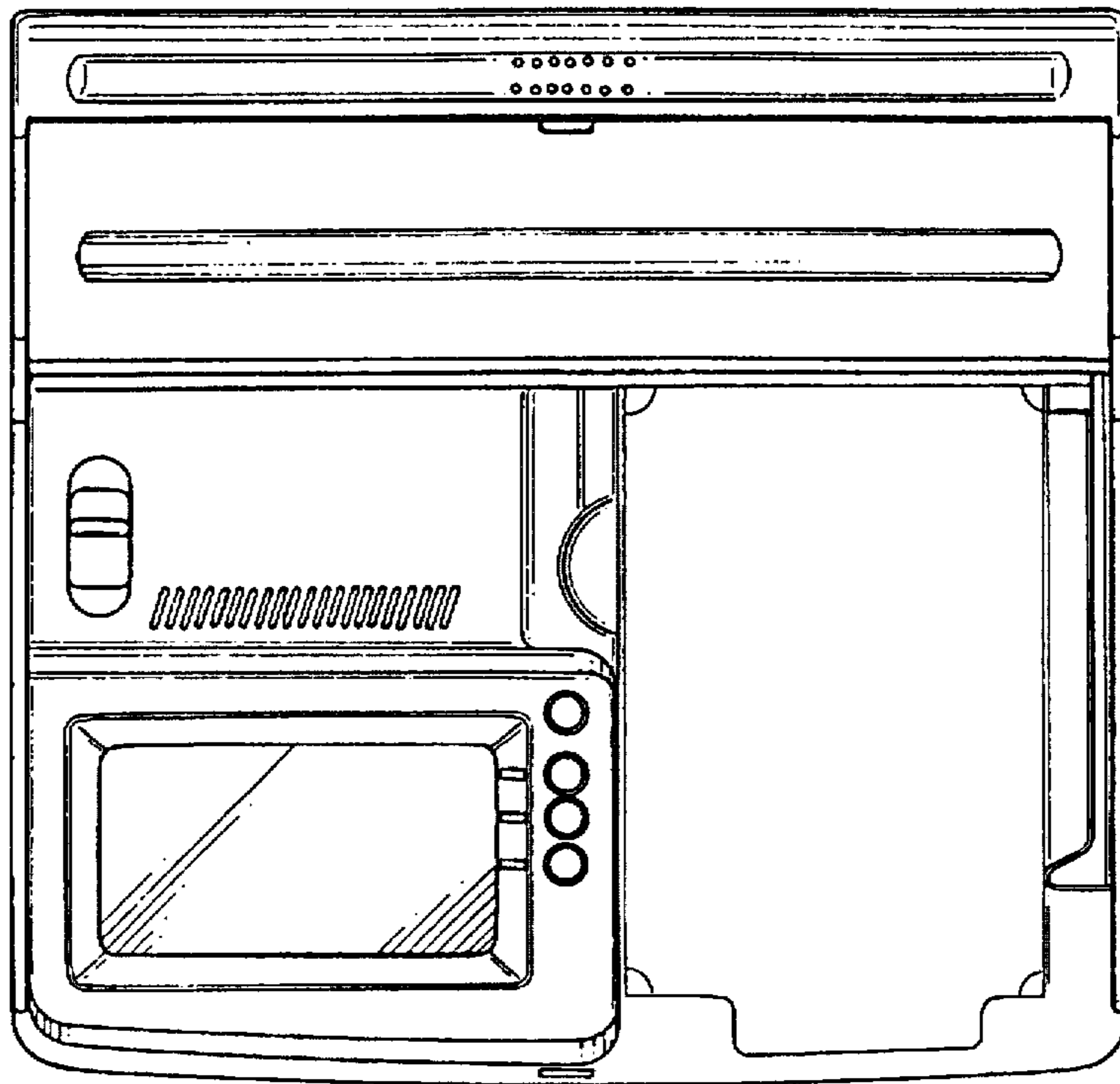


FIG. 6

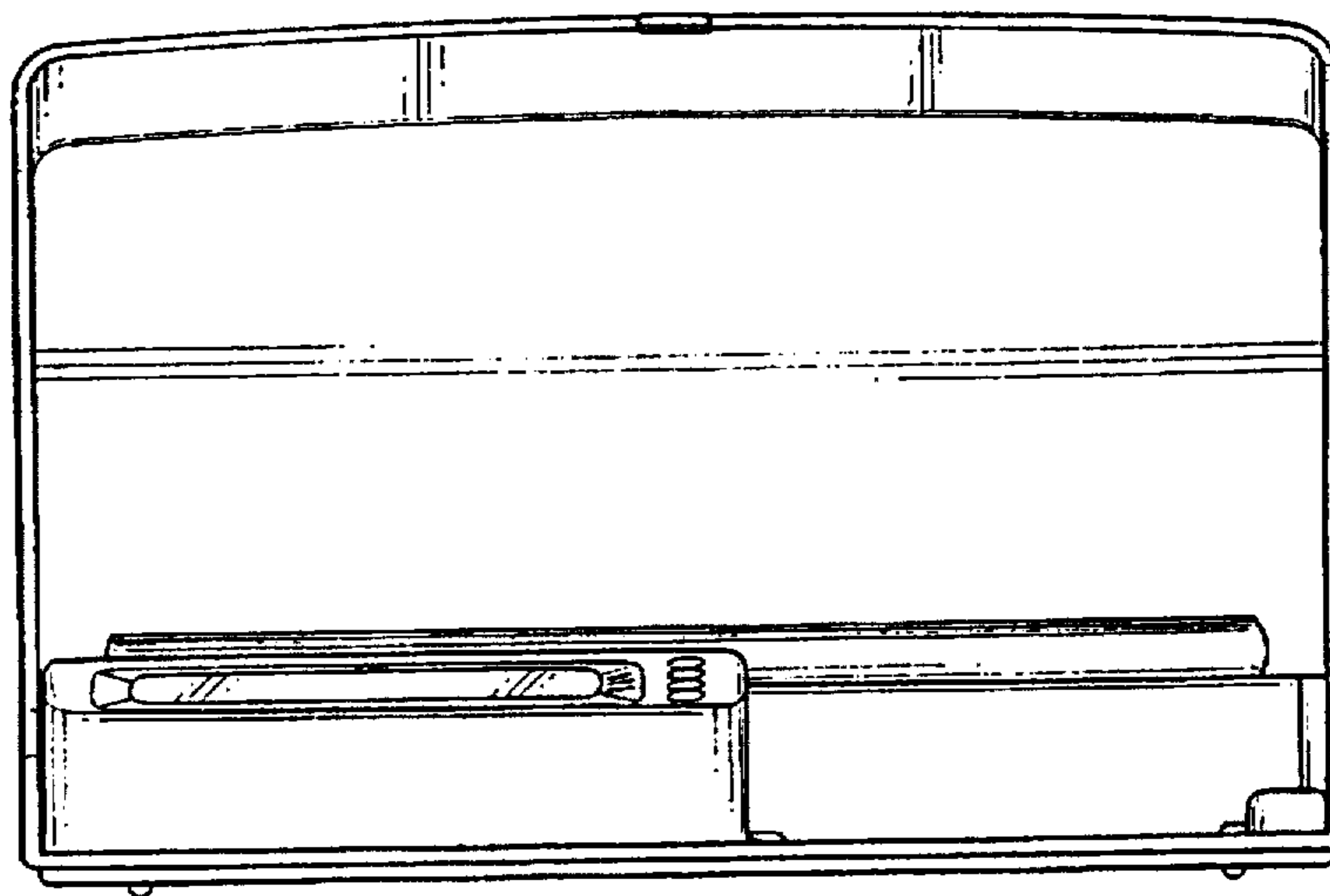


FIG. 7

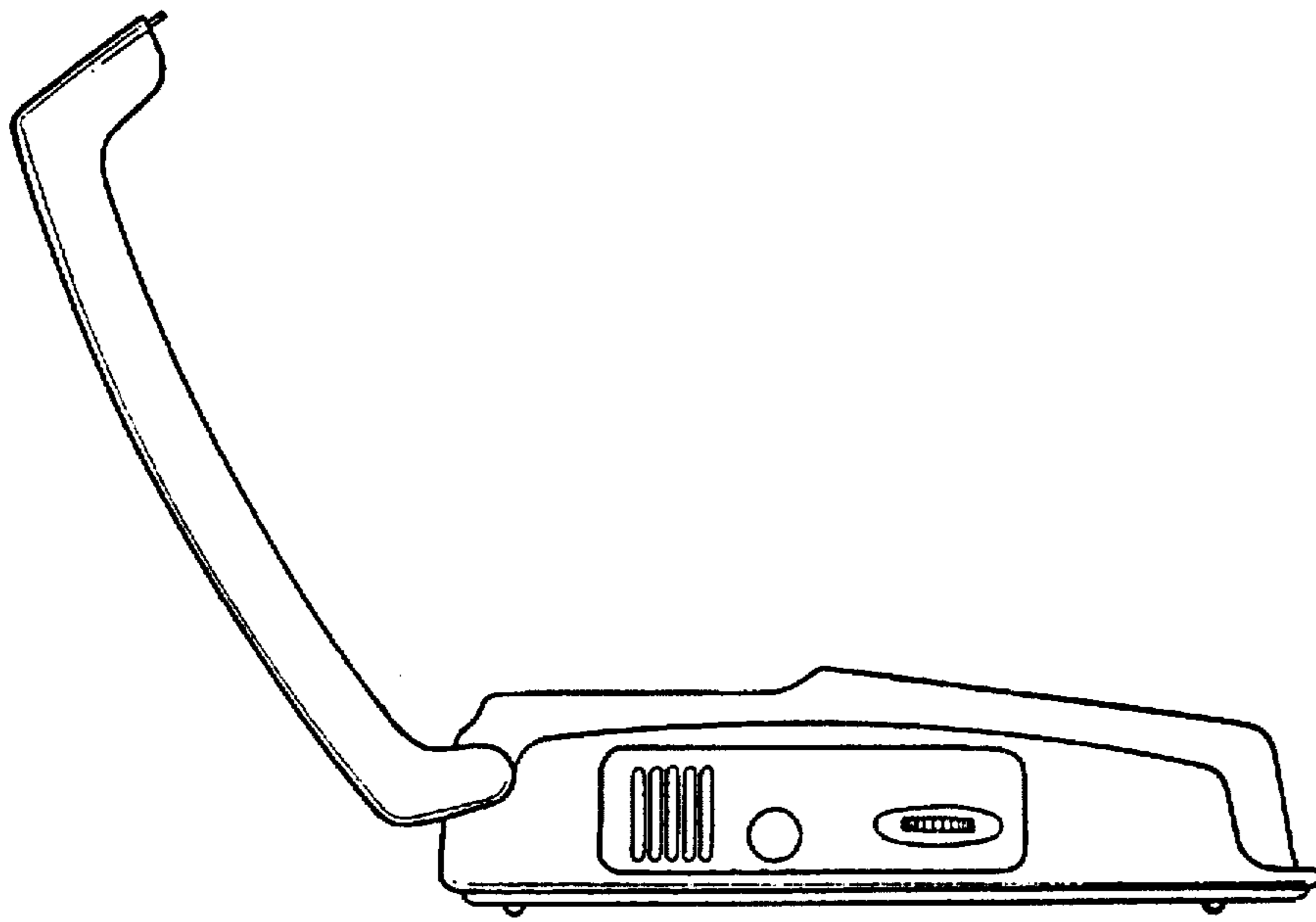


FIG. 8

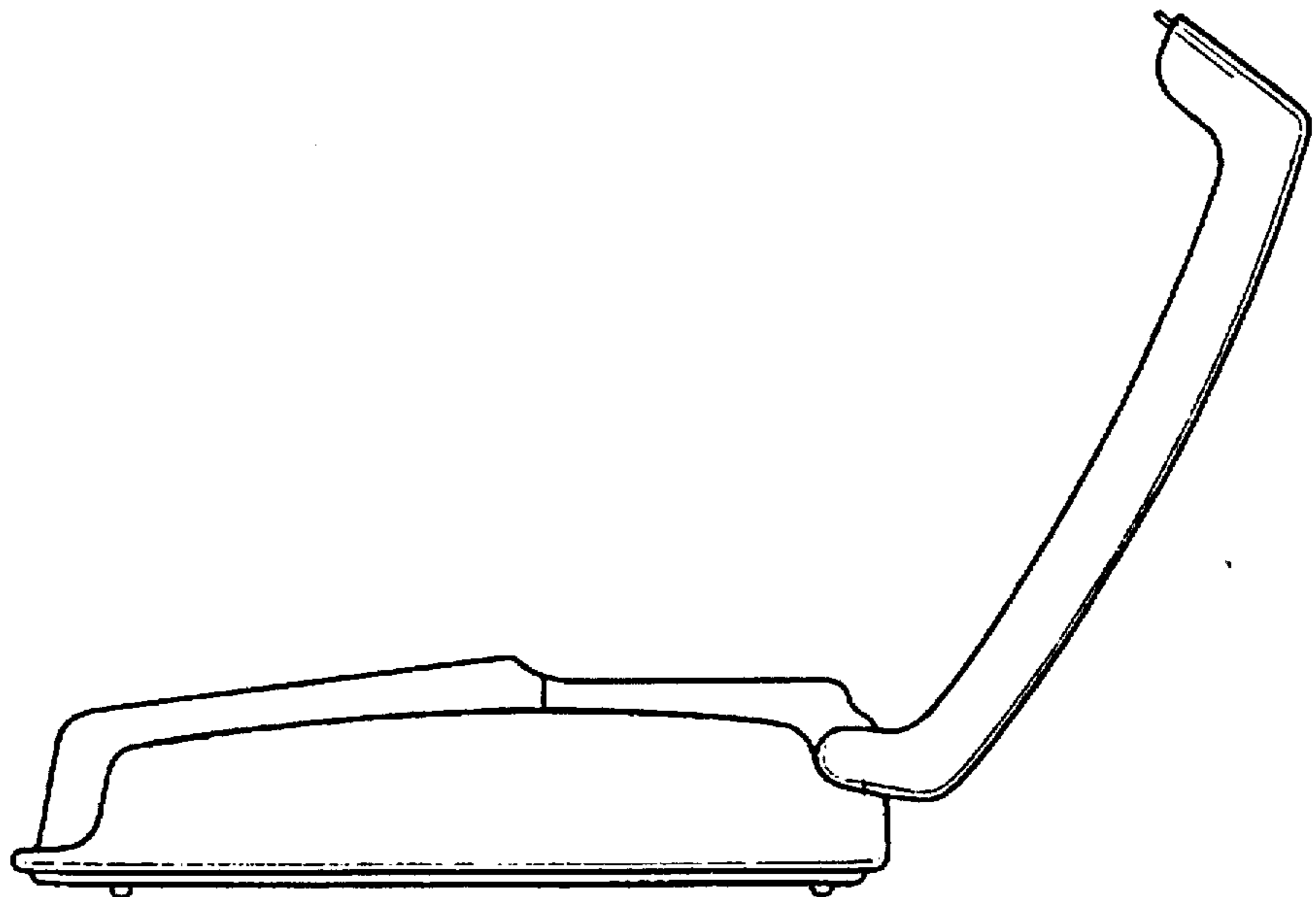


FIG. 9