



US00D384924S

United States Patent [19]

[11] Patent Number: **Des. 384,924**

Hanson et al.

[45] Date of Patent: *****Oct. 14, 1997**

[54] **COMBINED STEP BUMPER BALL MOUNT AND HITCH RECEIVER**

[75] Inventors: **Marvin L. Hanson**, Vandalia, Mich.; **Richard McCoy**, Granger, Ind.; **Jon L. Krager**, Cassopolis, Mich.

[73] Assignee: **Reese Products, Inc.**, Elkhart, Ind.

[*] Notice: The portion of the term of this patent subsequent to Aug. 6, 2010, has been disclaimed.

[**] Term: **14 Years**

[21] Appl. No.: **43,946**

[22] Filed: **Sep. 13, 1995**

[51] LOC (6) Cl. **12-16**

[52] U.S. Cl. **D12/162**

[58] Field of Search D12/162, 117, D12/126; 280/507, 511, 512, 513, 477, 482

[56] References Cited

U.S. PATENT DOCUMENTS

D. 243,166	1/1977	Jones	D12/162
D. 274,803	7/1984	Hughes	D12/126
D. 280,311	8/1985	Pawsat	D12/117
D. 305,749	1/1990	Jorgensen	212/117

D. 319,204	8/1991	McGrody	D12/162
D. 334,163	3/1993	McVey	D12/162
D. 362,224	9/1995	McCoy et al.	D12/162
4,974,866	12/1990	Morgan	280/477
5,246,244	9/1993	Colbert	280/511
5,378,008	1/1995	McCrosen	280/507

OTHER PUBLICATIONS

Quality S. Hitch Manufacturing Sales Catalog; Feb. 1994; 16.

Hidden Hitch of America Inc. Caralogue; 1993; 15.

Eaz-Lift Spring Corporation Product Catalog; 1993; 10.

Valley Industries Towing Products and Accessories Product Catalog; 1995; 17.

Shelton, Industries Product Catalog; 1993; 17.

Primary Examiner—Melody N. Brown

Attorney, Agent, or Firm—King and Schickli

[57] CLAIM

The ornamental design for a combined step bumper ball mount and hitch receiver, as shown and described.

DESCRIPTION

FIG. 1 is a perspective view of the combined step bumper ballmount and hitch receiver of the present invention;

FIG. 2 is a top plan view thereof;

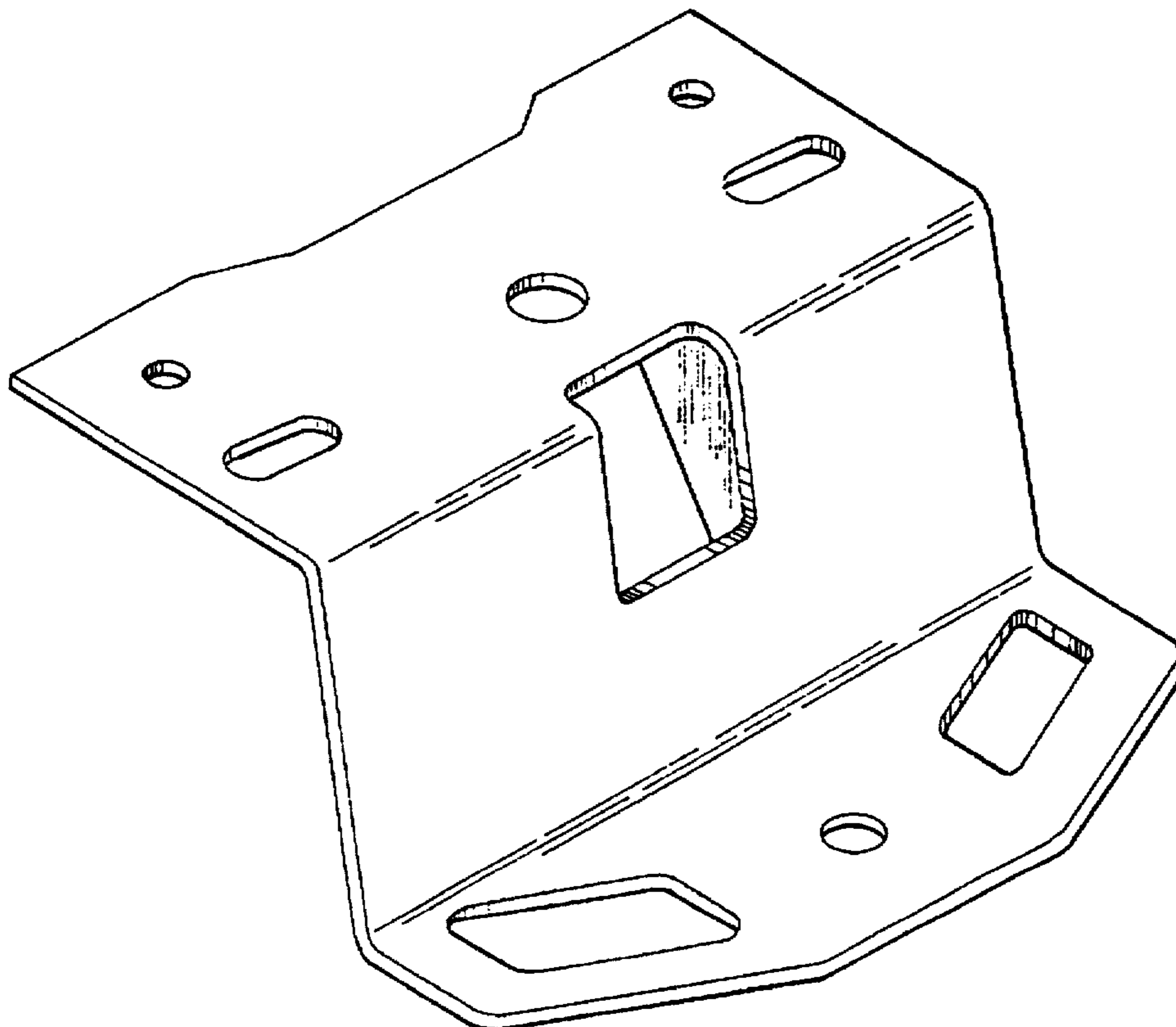
FIG. 3 is a bottom plan view thereof;

FIG. 4 is a left side elevational view, the right side elevational view being substantially a mirror image thereof;

FIG. 5 is a rear elevational view thereof; and,

FIG. 6 is a front elevational view thereof.

1 Claim, 2 Drawing Sheets



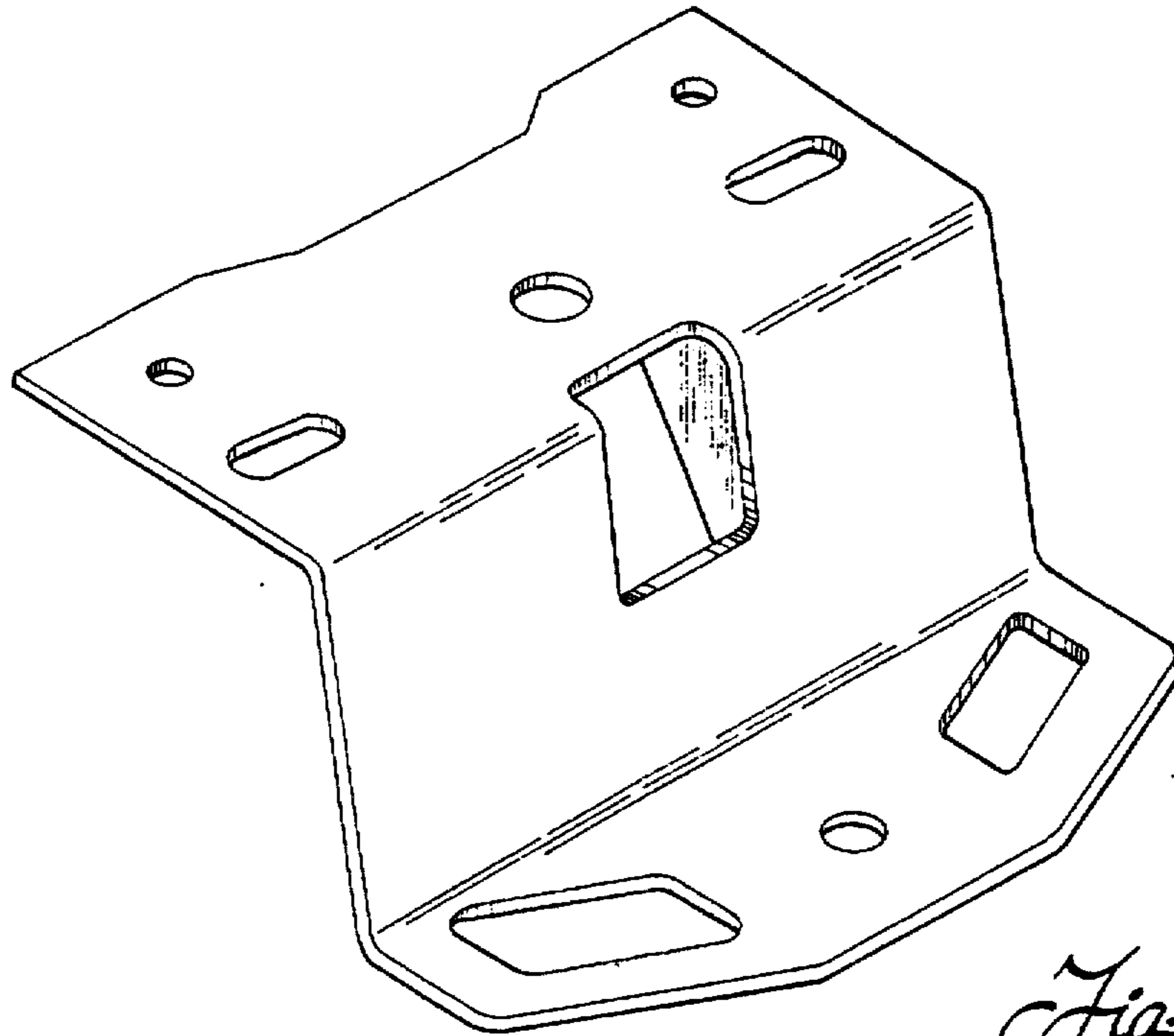


Fig. 1

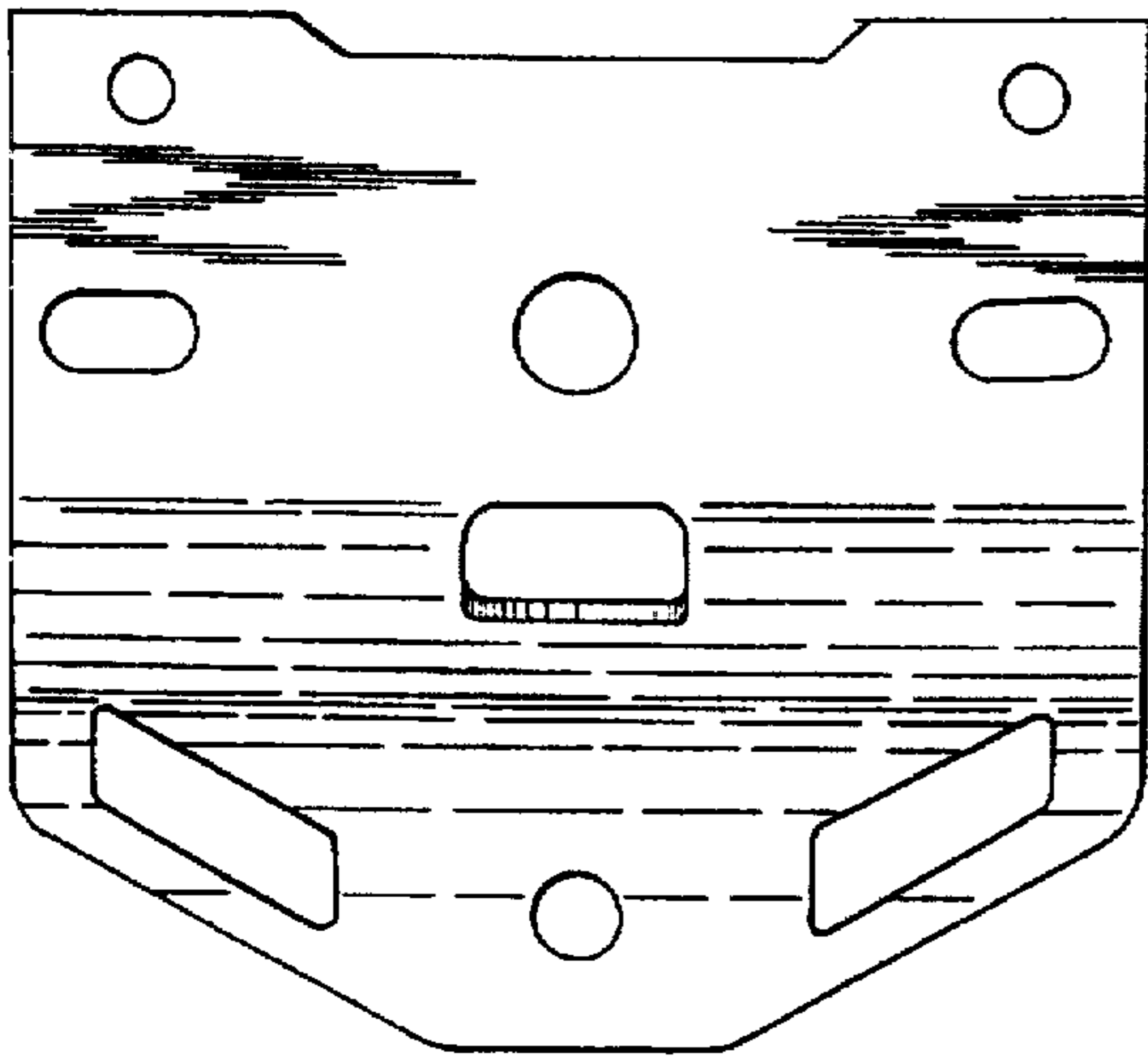


Fig. 2

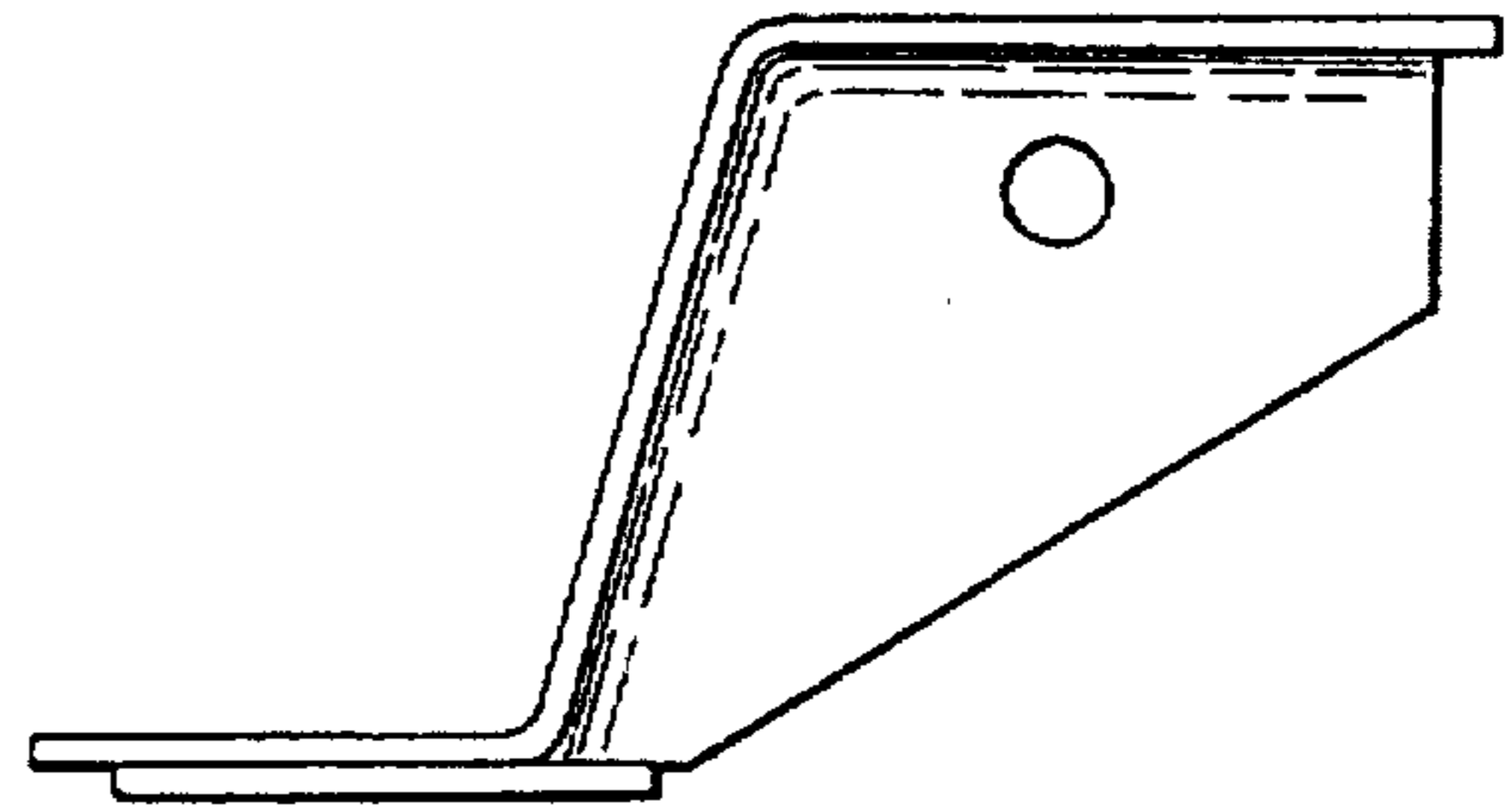


Fig. 3

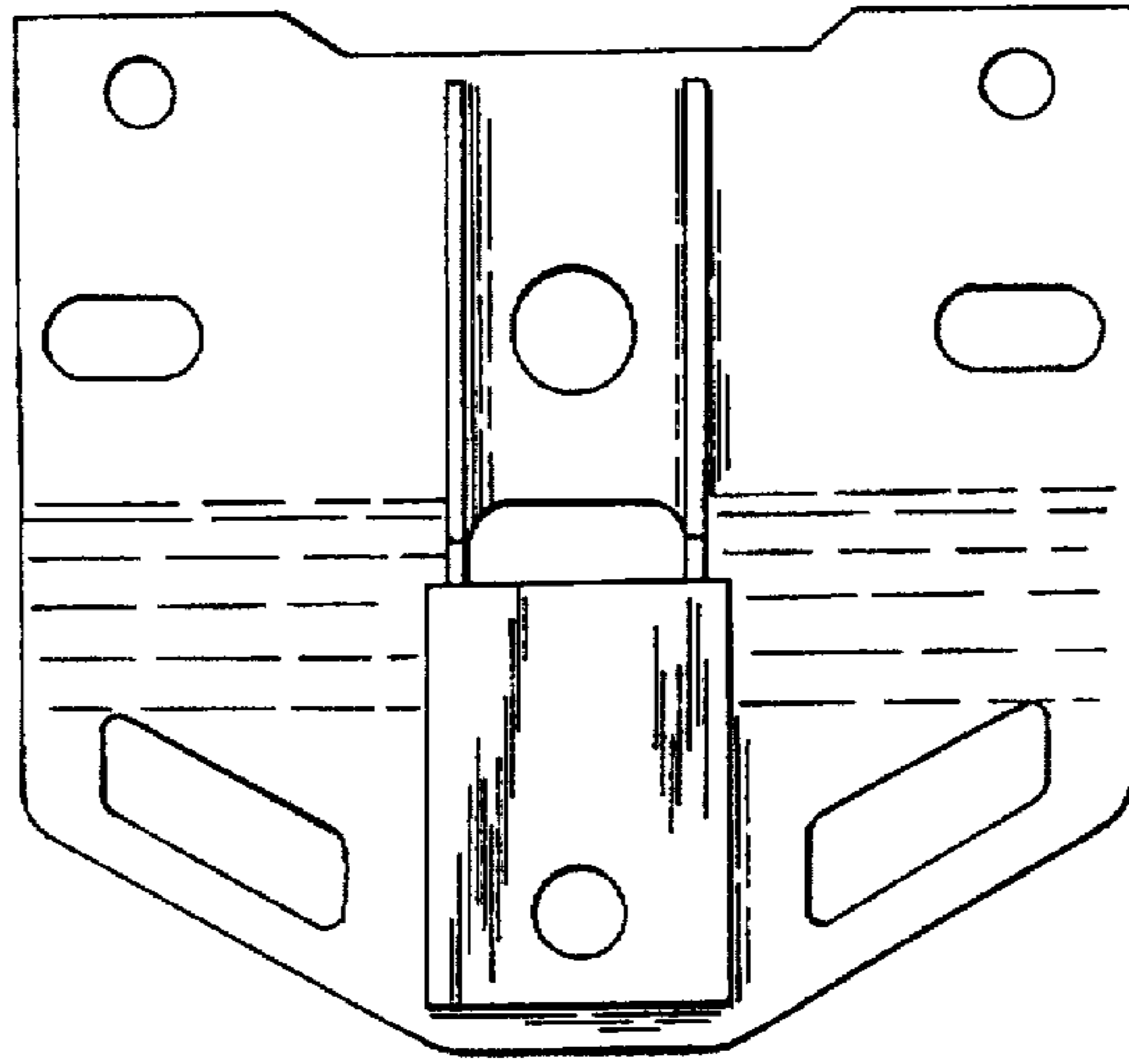


Fig. 3

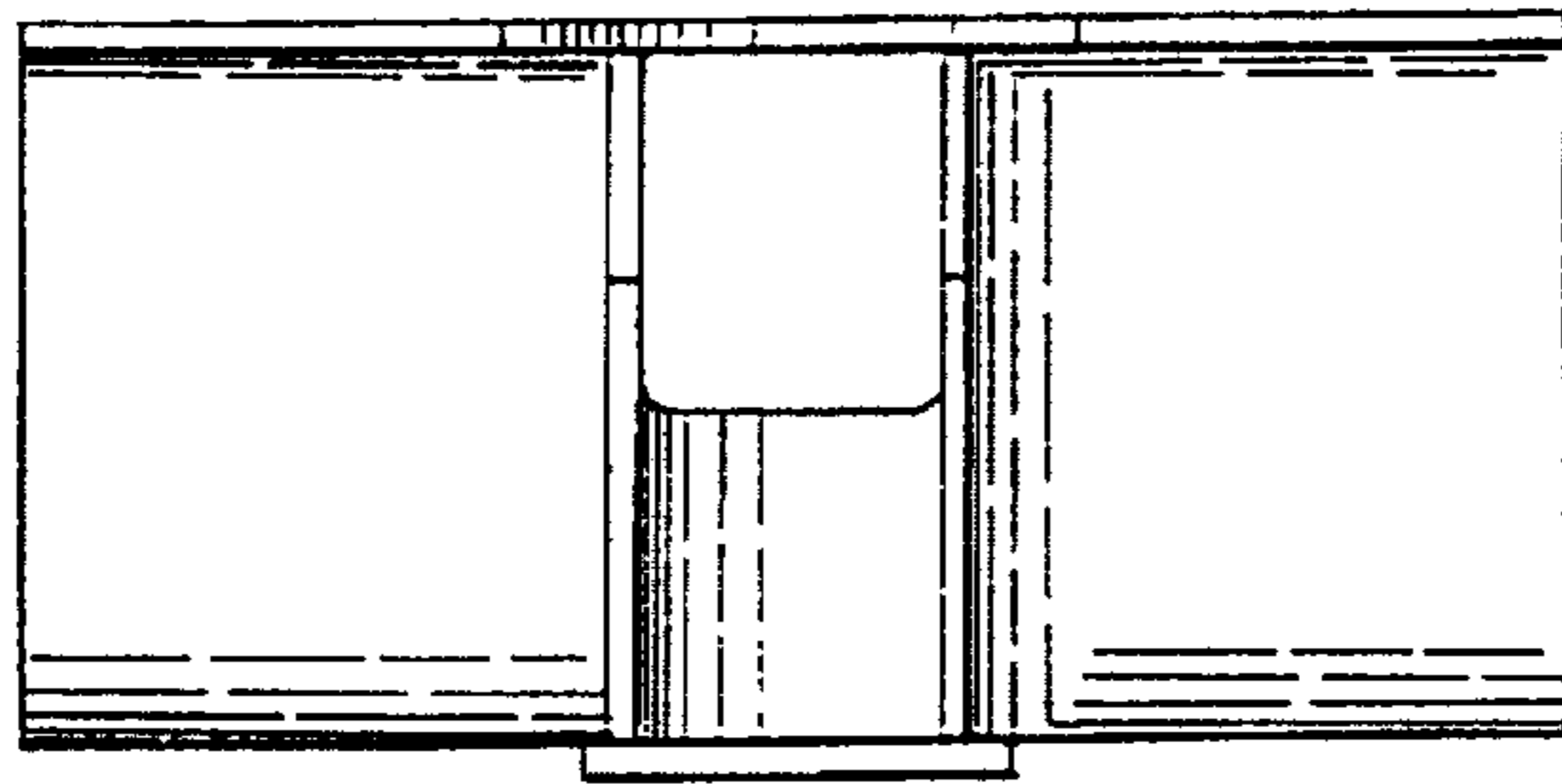


Fig. 5

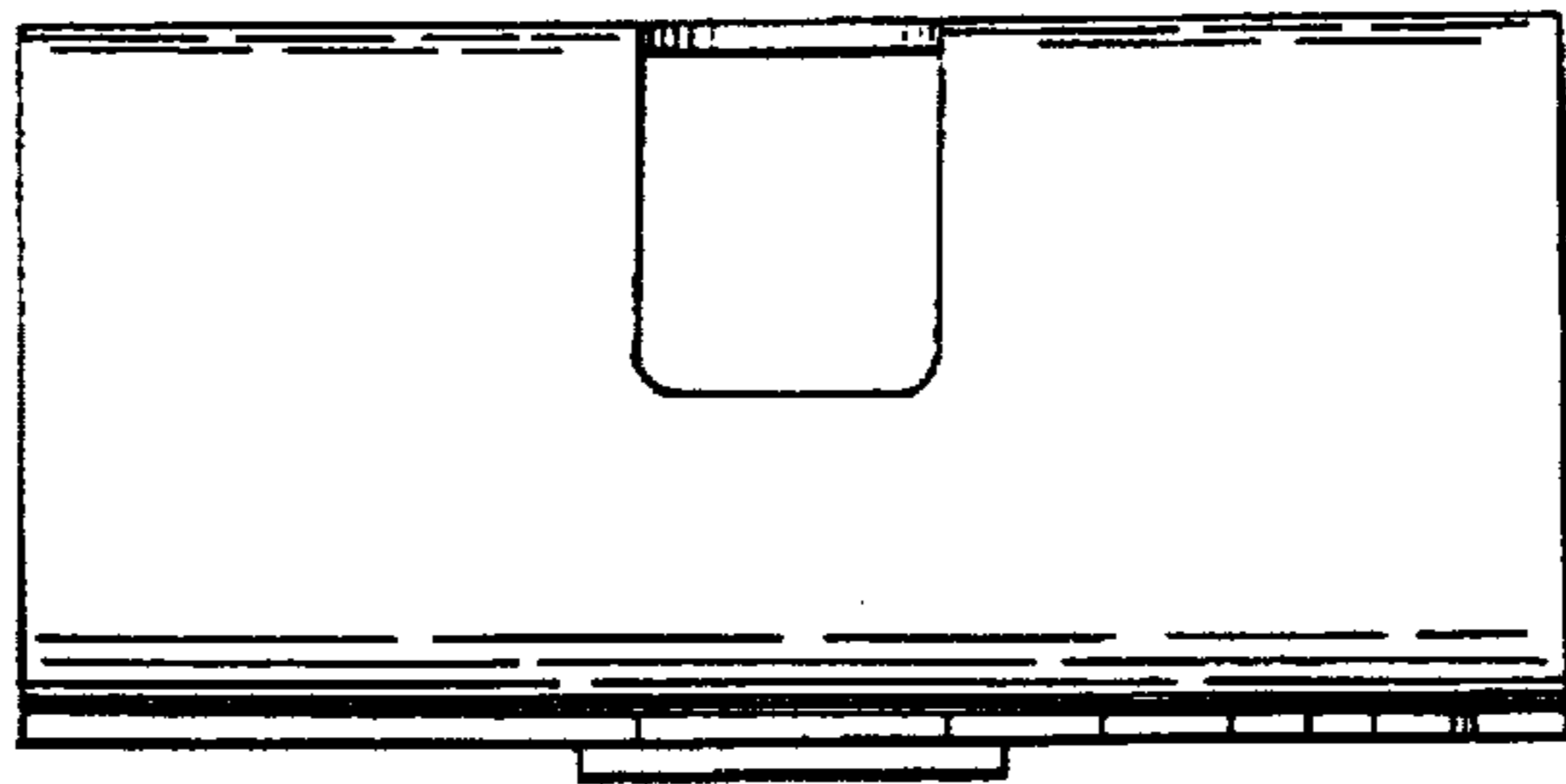


Fig. 6