



US00D384912S

# United States Patent [19] Lanner

[11] Patent Number: **Des. 384,912**  
[45] Date of Patent: **\*\*Oct. 14, 1997**

[54] **KICK SLEDGE**  
[76] Inventor: **Håkan Lanner**, Bondstorp svägen 15,  
567 33 Vaggeryd, Sweden  
[\*\*] Term: **14 Years**  
[21] Appl. No.: **42,215**  
[22] Filed: **Aug. 4, 1995**  
[30] **Foreign Application Priority Data**  
Feb. 6, 1995 [SE] Sweden ..... 95-0215  
[51] **LOC (6) CL** ..... **12-14**  
[52] **U.S. Cl.** ..... **D12/7**  
[58] **Field of Search** ..... **D12/7, 8; 280/18,**  
**280/16, 12.1; 180/190-194**

3,717,359 2/1973 Peronnon et al. .... 280/16  
3,870,330 3/1975 Hatako et al. .... 280/16  
4,097,055 6/1978 Laycraft ..... 280/16  
4,613,006 9/1986 Moss et al. .... 180/190  
4,708,353 11/1987 Evequoz ..... 280/16  
4,773,659 9/1988 Rygiel ..... 280/16  
5,351,975 10/1994 Petoud ..... 250/16

*Primary Examiner*—Melody N. Brown  
*Attorney, Agent, or Firm*—Varnum, Riddering, Schmidt &  
Howlett LLP

### [57] CLAIM

The ornamental design for a kick sledge, as shown and described.

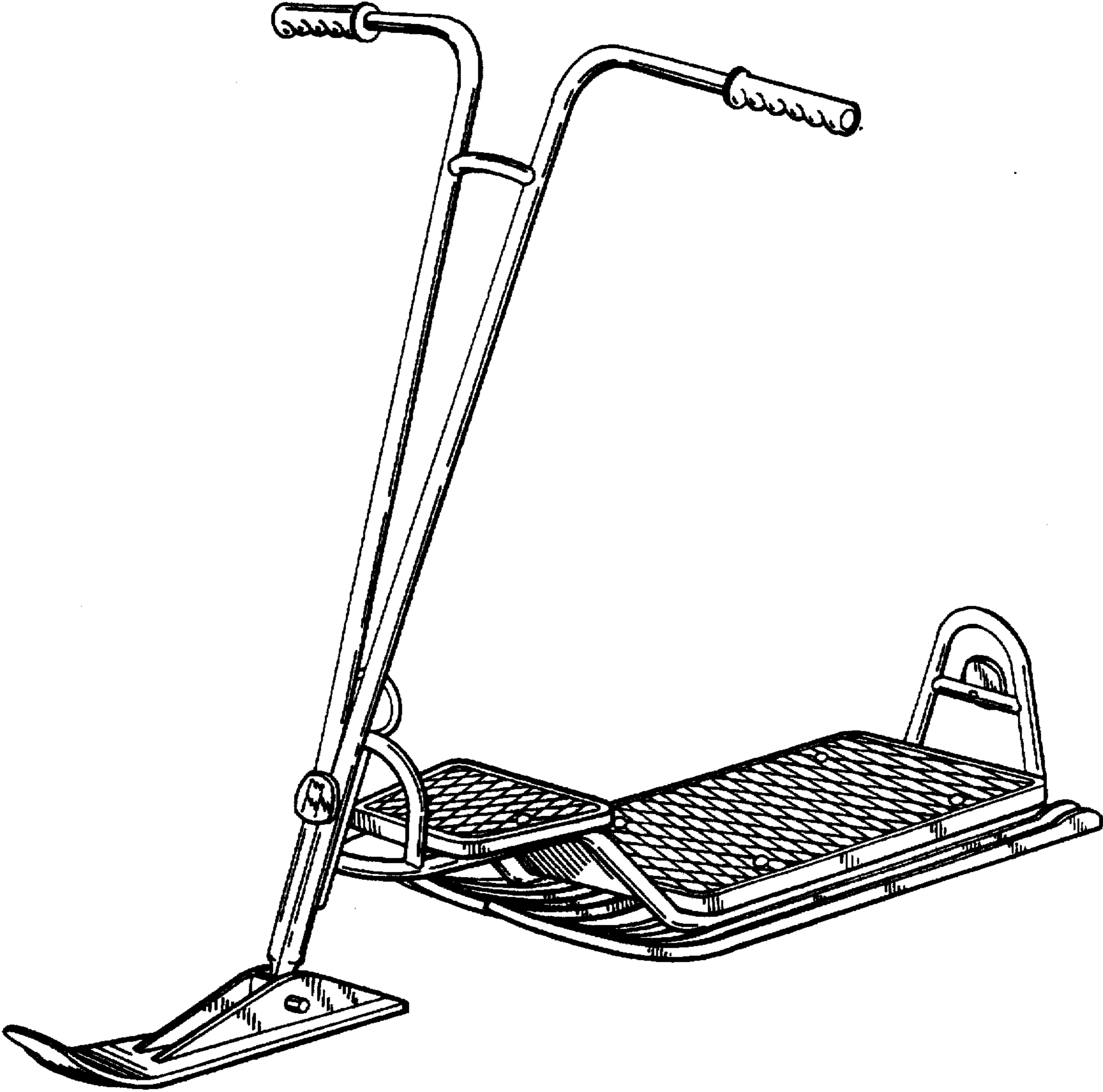
### DESCRIPTION

FIG. 1 is a left front perspective view of a kick sledge which embodies my design;  
FIG. 2 is a left side elevational view thereof;  
FIG. 3 is a front elevational view thereof;  
FIG. 4 is a rear elevational view thereof;  
FIG. 5 is a top view thereof; and,  
FIG. 6 is a bottom view thereof.

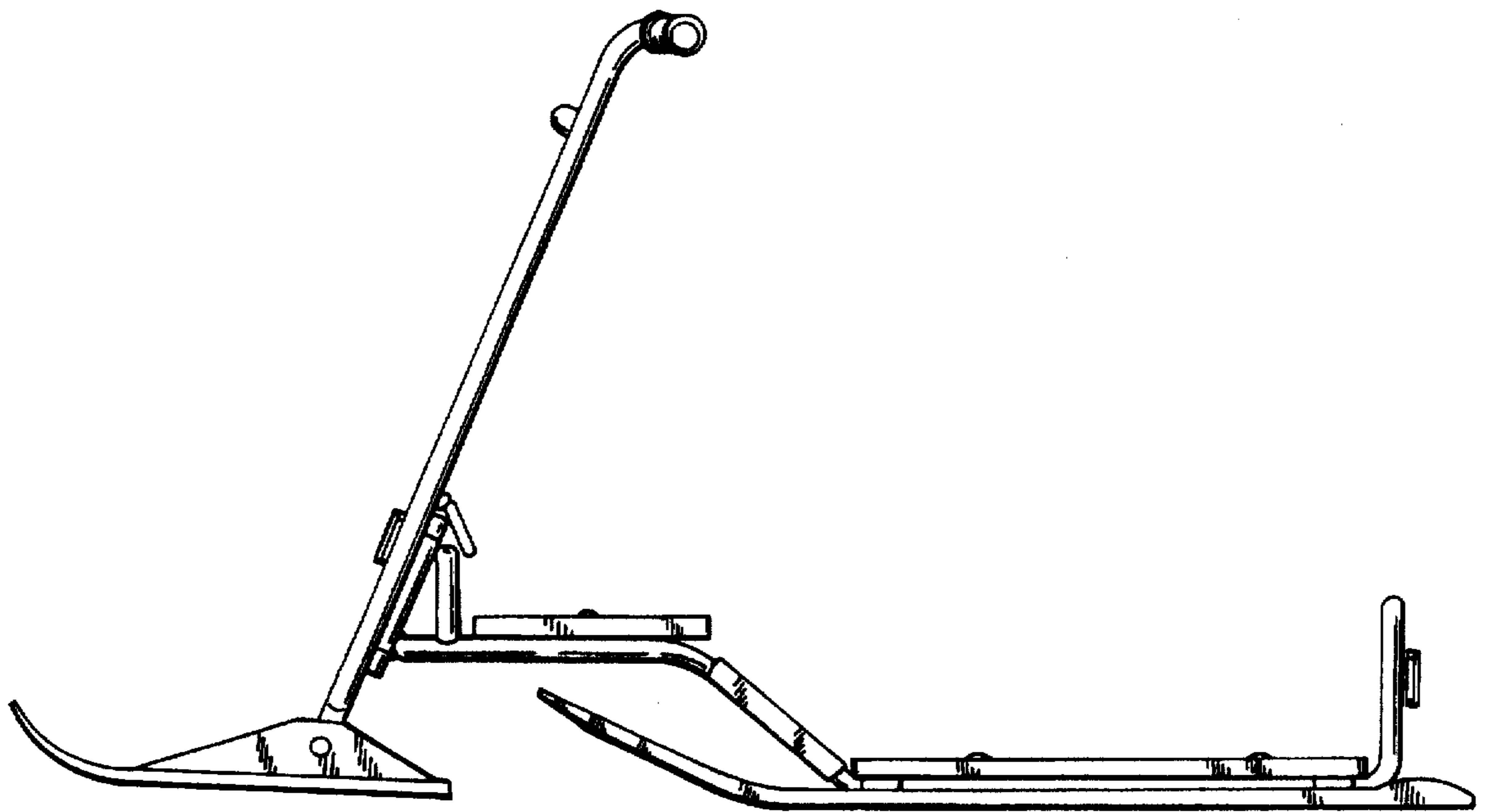
[56] **References Cited**  
**U.S. PATENT DOCUMENTS**  
D. 197,787 3/1964 Tress et al. .... D12/8  
D. 210,544 3/1968 Fleisher ..... D12/8  
D. 215,458 10/1969 Latch et al. .... D13/111  
D. 224,125 7/1972 Boganowski ..... D12/8

**1 Claim, 3 Drawing Sheets**

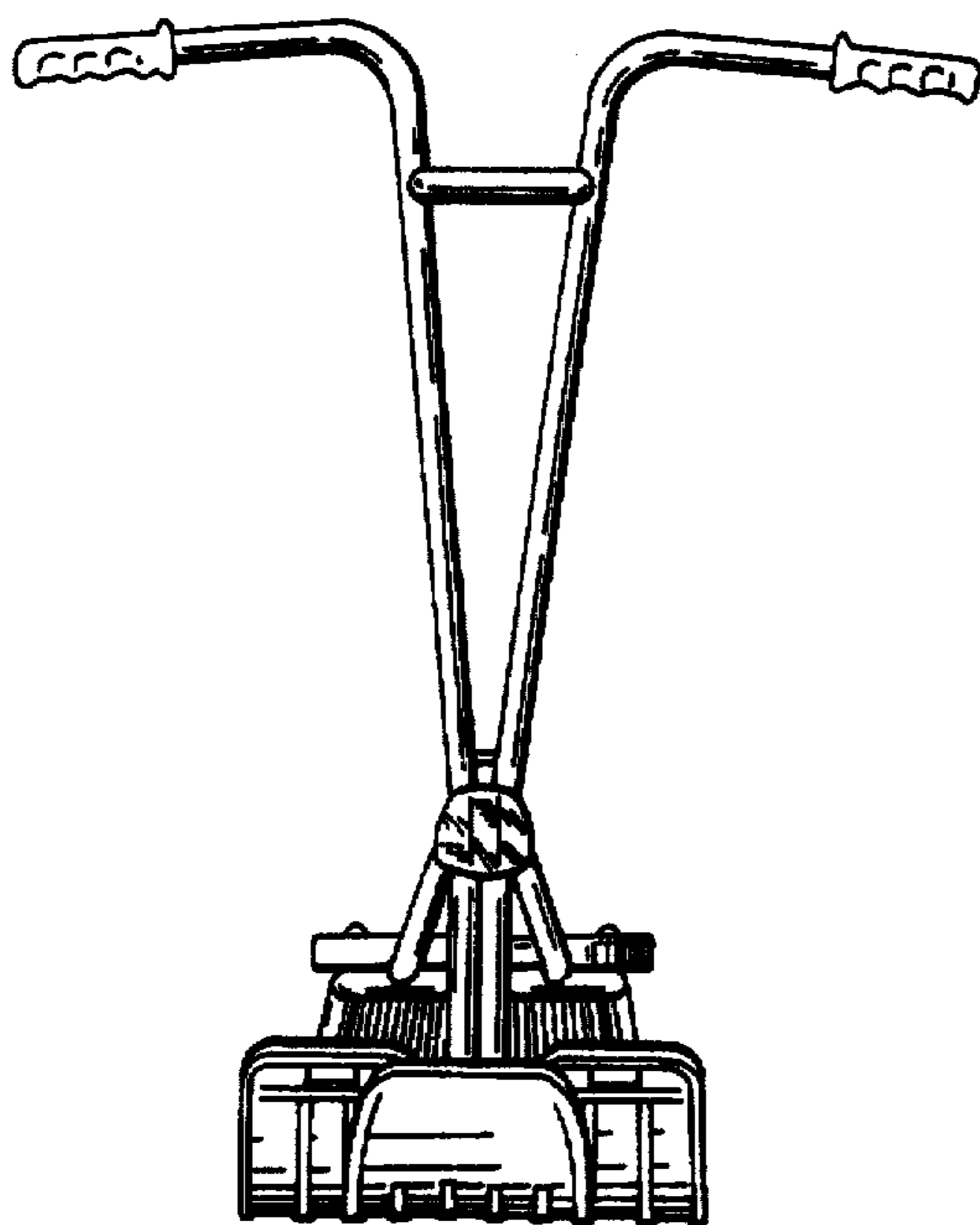




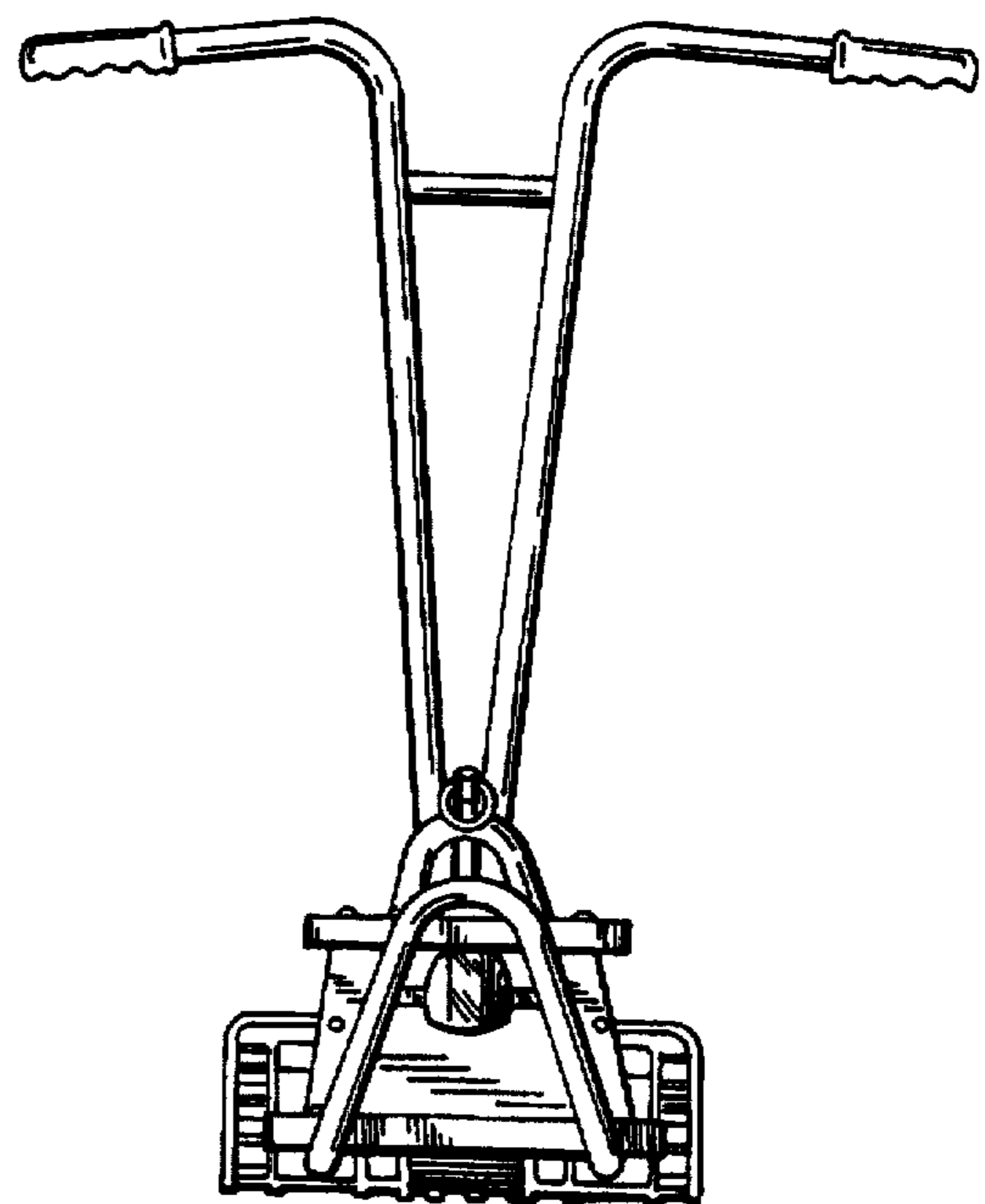
*Fig. 1*



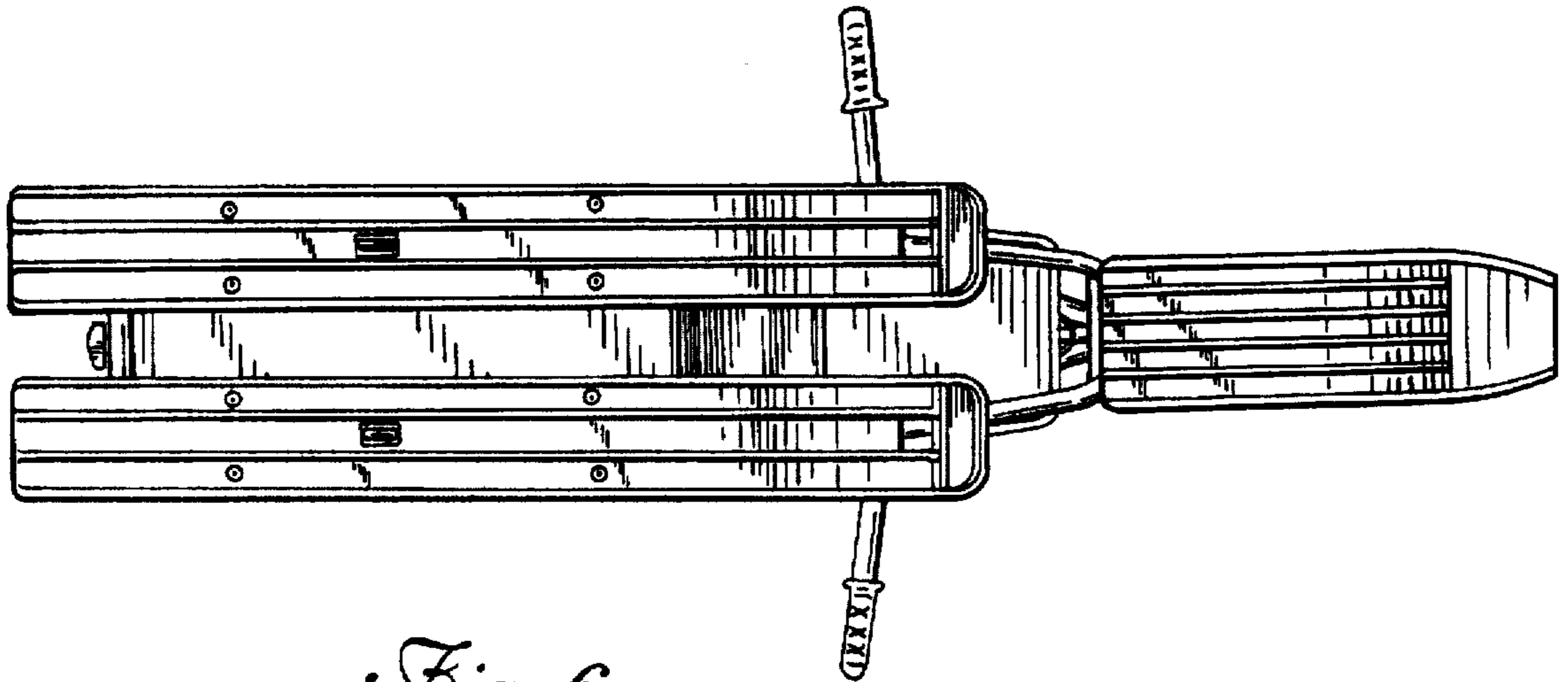
*Fig. 2*



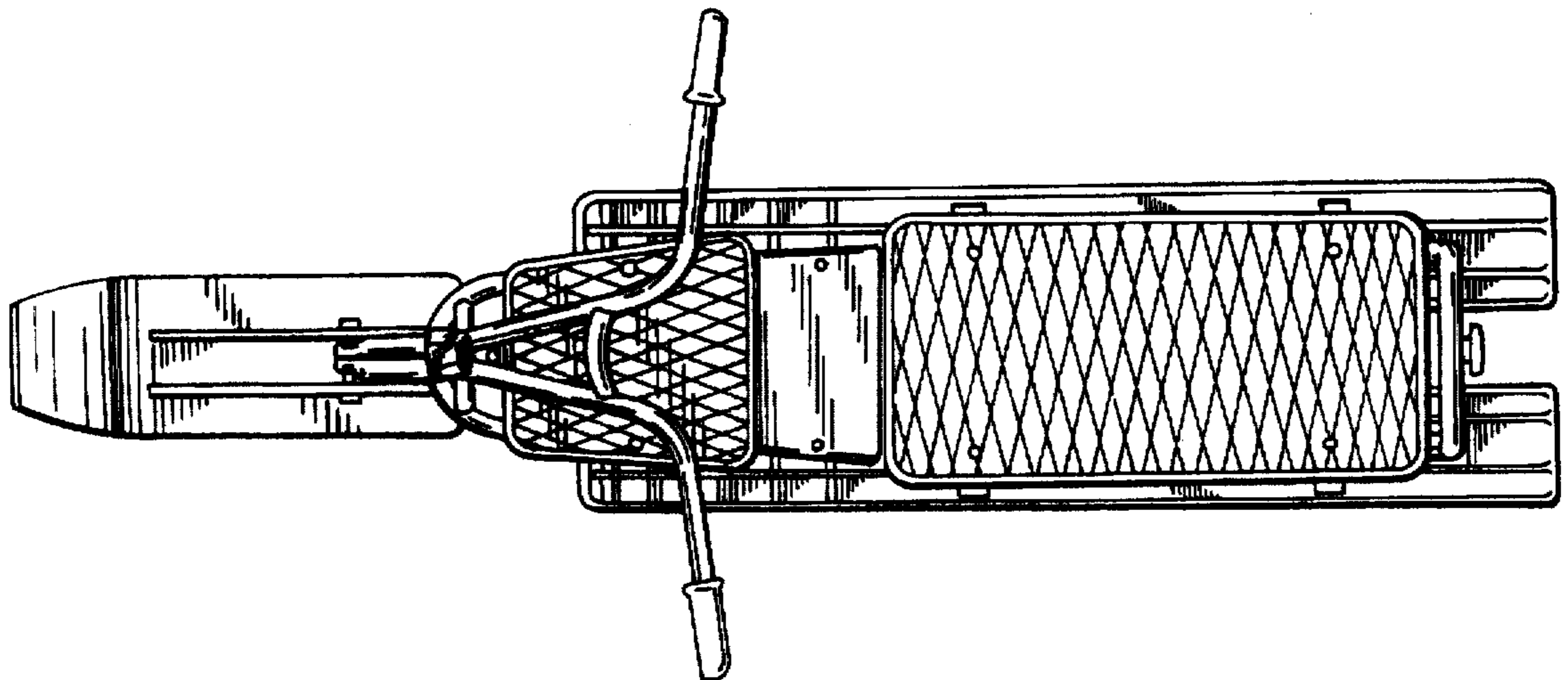
*Fig. 3*



*Fig. 4*



*Fig. 6*



*Fig. 5*