



US00D384907S

United States Patent [19]

Moskowitz

[11] Patent Number: **Des. 384,907**

[45] Date of Patent: ****Oct. 14, 1997**

[54] FLOWER POT

D. 313,203 12/1990 Carlson D11/164 X
D. 360,850 8/1995 Grosfillex D11/144 X

[75] Inventor: **Morris Moskowitz**, Monsey, N.Y.

OTHER PUBLICATIONS

[73] Assignee: **Missry Associates, Inc.**, Dunellen, N.J.

DCN Plastic Inc. Brochure Aug. 1995; Style: Oasis.

[**] Term: **14 Years**

Primary Examiner—Caron D. Veynar
Attorney, Agent, or Firm—Bauer & Schaffer

[21] Appl. No.: **41,696**

[57] CLAIM

[22] Filed: **Jul. 21, 1995**

The ornamental design for a flower pot, as shown and described.

[51] LOC (6) CL **11-02**

[52] U.S. Cl. **D11/152**

[58] Field of Search D11/143-145,
D11/155, 156; D6/403-405, 556; 47/18 R,
26 R, 28.1-32, 38-41.13, 44-47, 66-72,
79 N, 82, 83, 86

DESCRIPTION

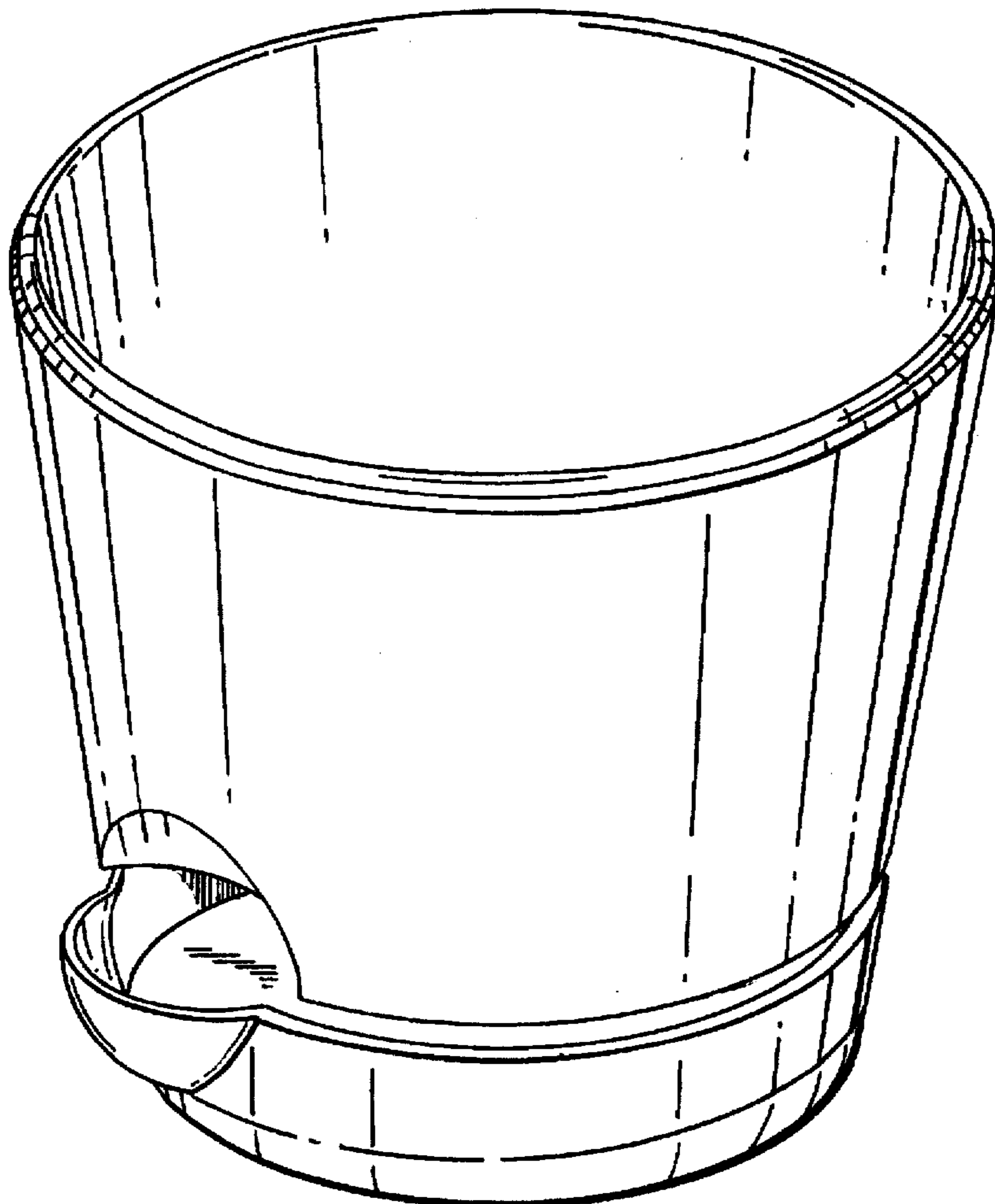
FIG. 1 is a front elevational view of a flower pot showing my new design;
FIG. 2 is a right side elevational view of the flower pot, the left side is identical thereto;
FIG. 3 is a rear elevational view of the flower pot;
FIG. 4 is a top plan view of the flower port;
FIG. 5 is a bottom plan view of the flower pot; and,
FIG. 6 is a perspective view of the flower pot.

[56] References Cited

U.S. PATENT DOCUMENTS

129,451 7/1872 Baldwin D11/144 X
D. 242,161 11/1976 Dziejwulki D11/152
D. 250,401 11/1978 O'Shea et al. D11/152
D. 298,222 10/1988 Hobson D11/152

1 Claim, 3 Drawing Sheets



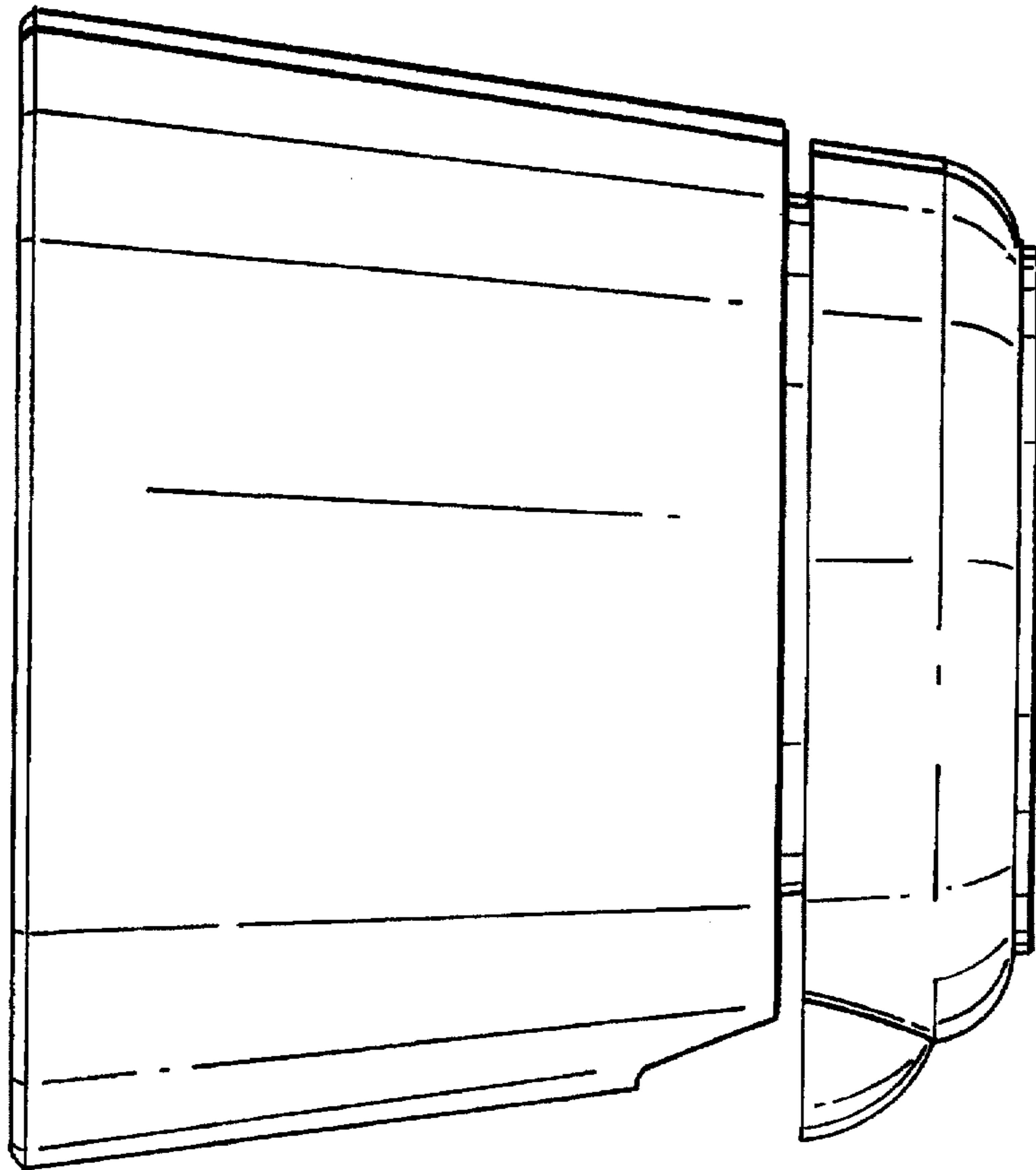


Fig. 1

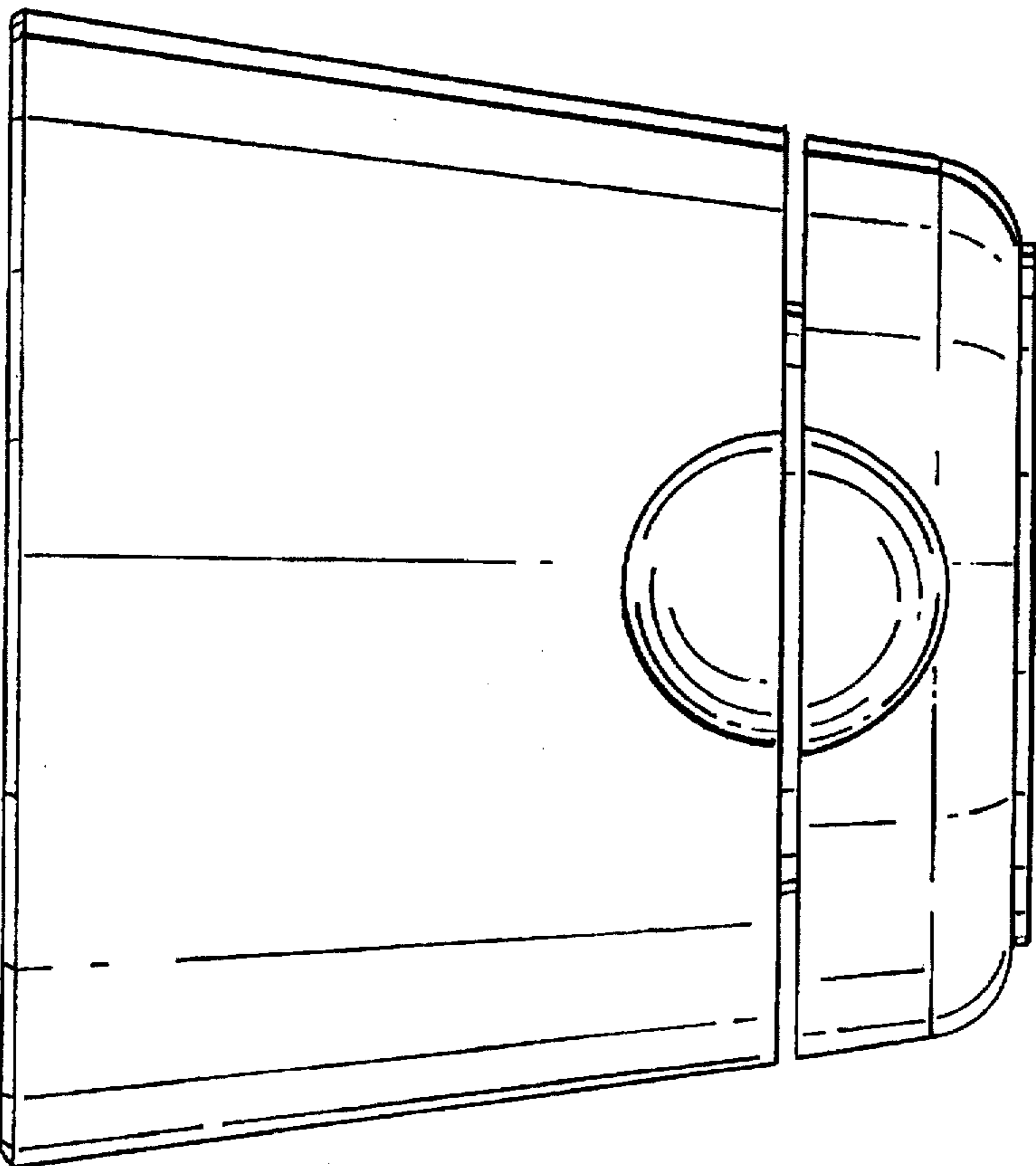


Fig. 2

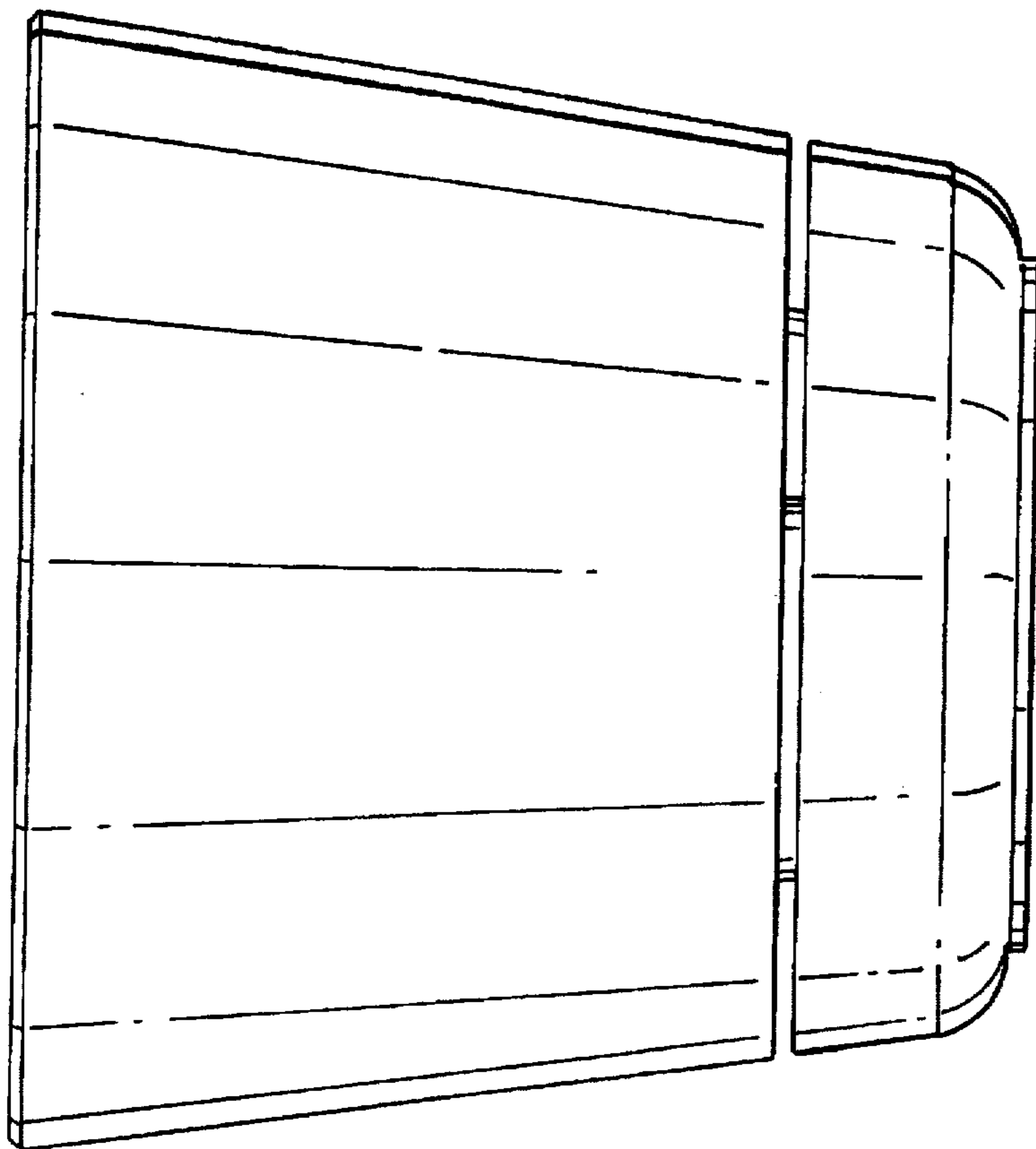


Fig. 3

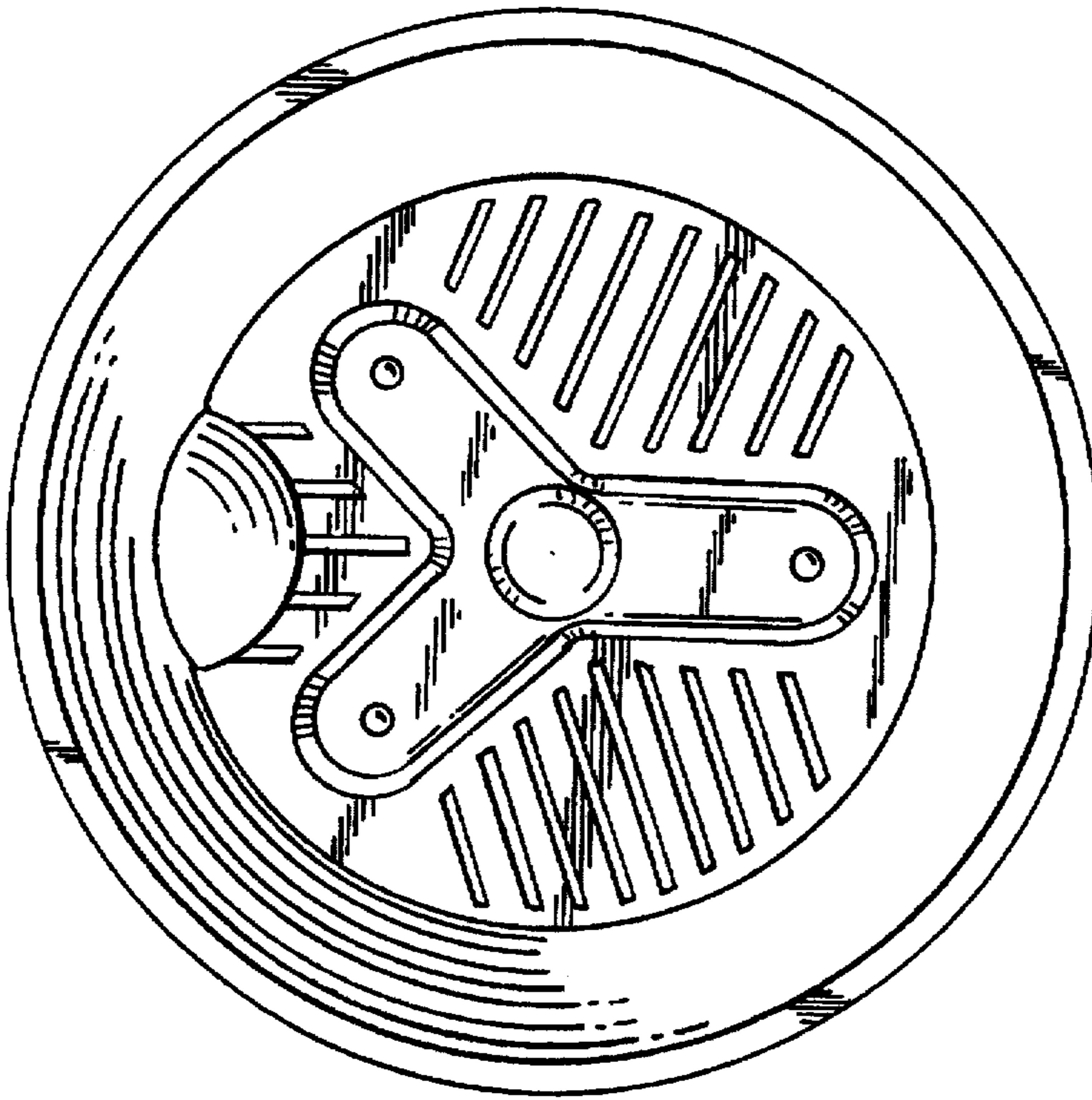


Fig. 4

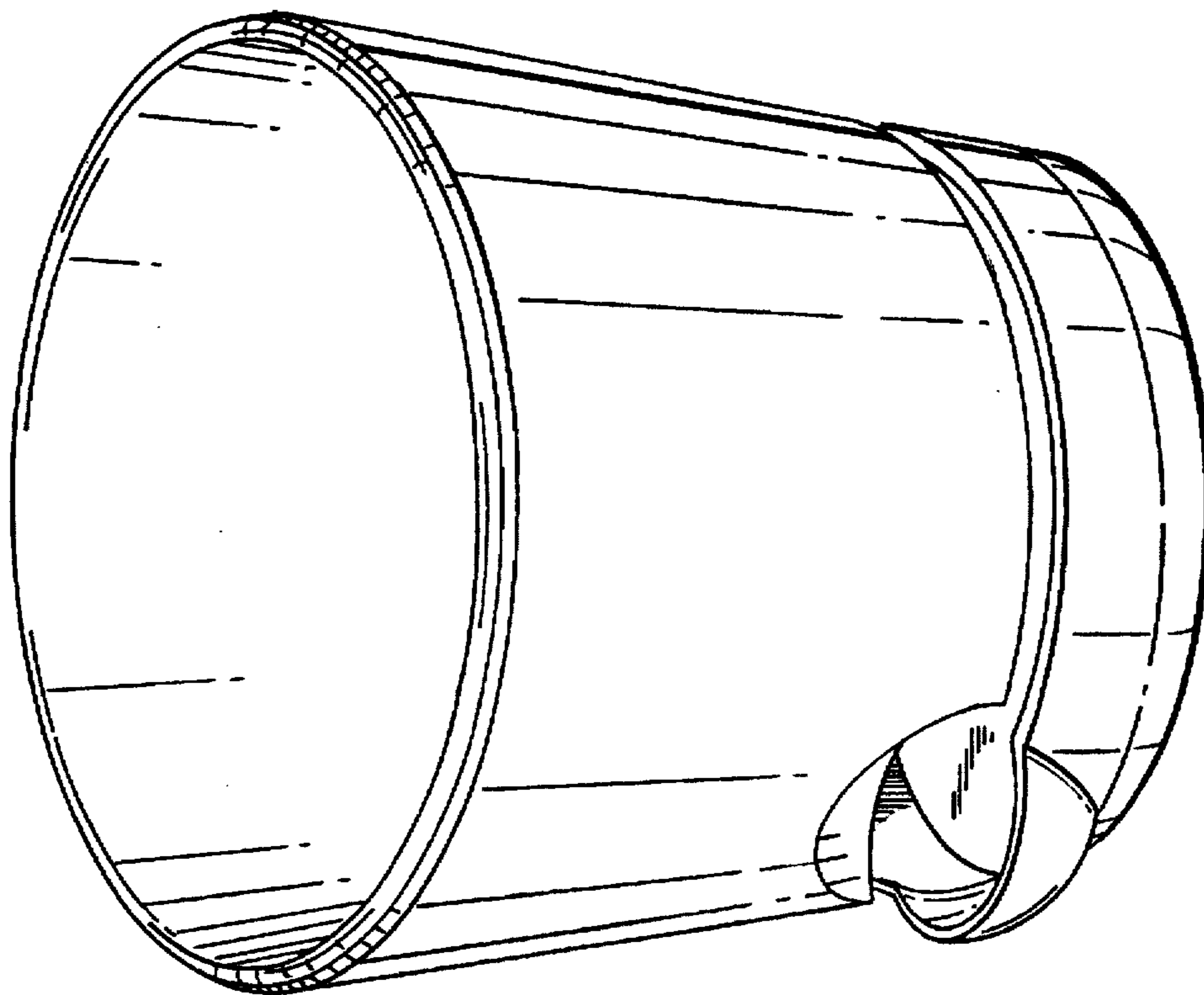


Fig. 6

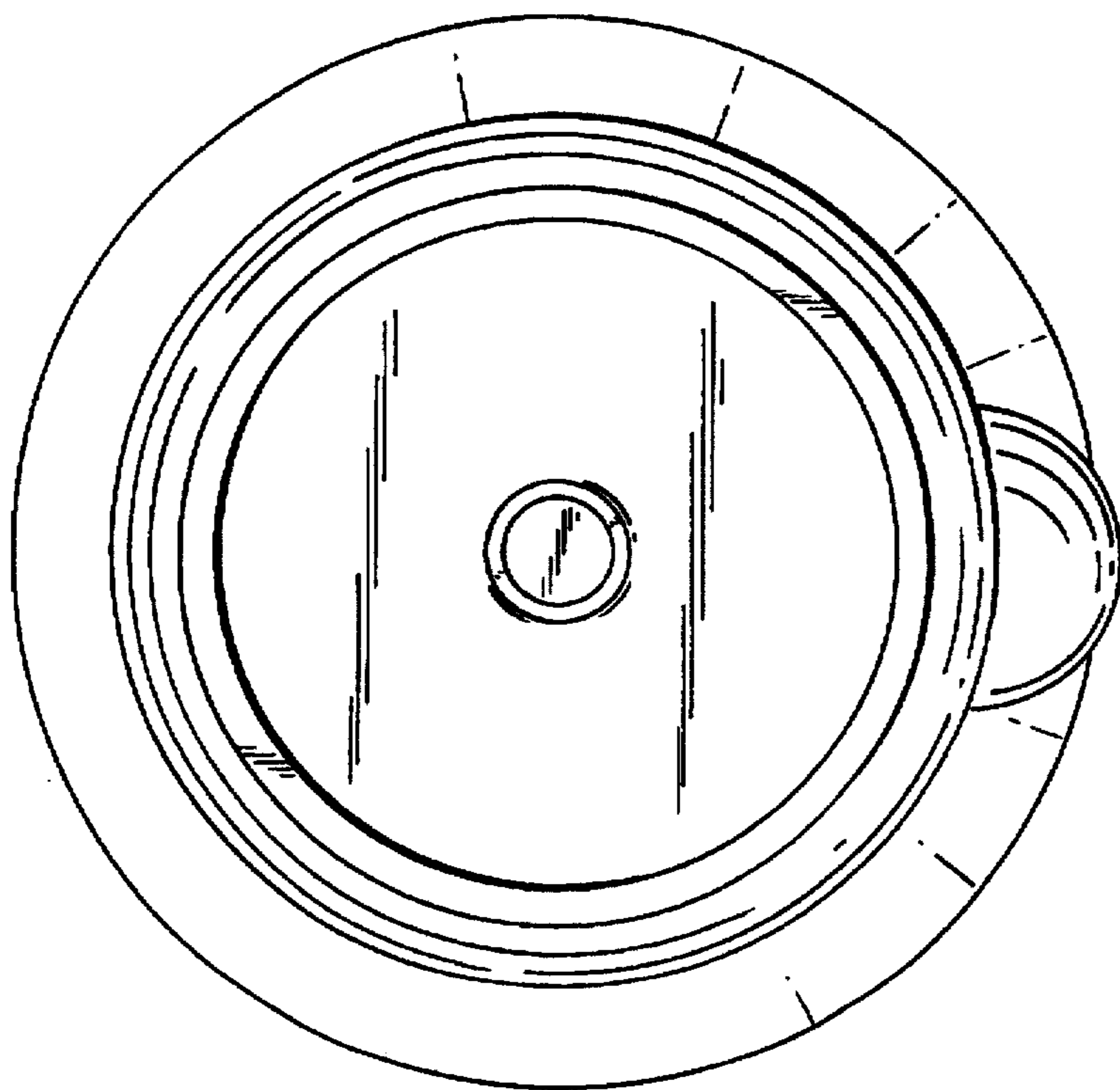


Fig. 5