



US00D384900S

# United States Patent [19] Taylor

[11] Patent Number: **Des. 384,900**  
[45] Date of Patent: **\*\*Oct. 14, 1997**

[54] **T-RULE**  
[75] Inventor: **Christopher L. Taylor, Dallas, Tex.**  
[73] Assignee: **Taylor Design Group, Inc., Dallas, Tex.**  
[\*\*] Term: **14 Years**

1,309,930 7/1919 Akin .  
2,883,754 4/1959 Luebkehan .  
3,303,570 2/1967 Hamann, Sr. .  
4,171,573 10/1979 Picciotto .  
4,235,022 11/1980 Fernandez Aldape .  
4,503,624 3/1985 Whiteford .  
4,599,805 7/1986 Padilla ..... 33/479 X  
4,669,197 6/1987 Griew ..... 33/479 X  
5,090,129 2/1992 Cunningham .

[21] Appl. No.: **59,060**  
[22] Filed: **Aug. 30, 1996**  
[51] LOC (6) Cl. .... **10-04**  
[52] U.S. Cl. .... **D10/64; D10/71**  
[58] Field of Search ..... **D10/64, 70, 71;  
33/479, 480-494**

*Primary Examiner*—Antoine Duval Davis  
*Attorney, Agent, or Firm*—Workman, Nydegger & Seeley

### [57] CLAIM

The ornamental design for a T-Rule, as shown and described.

### DESCRIPTION

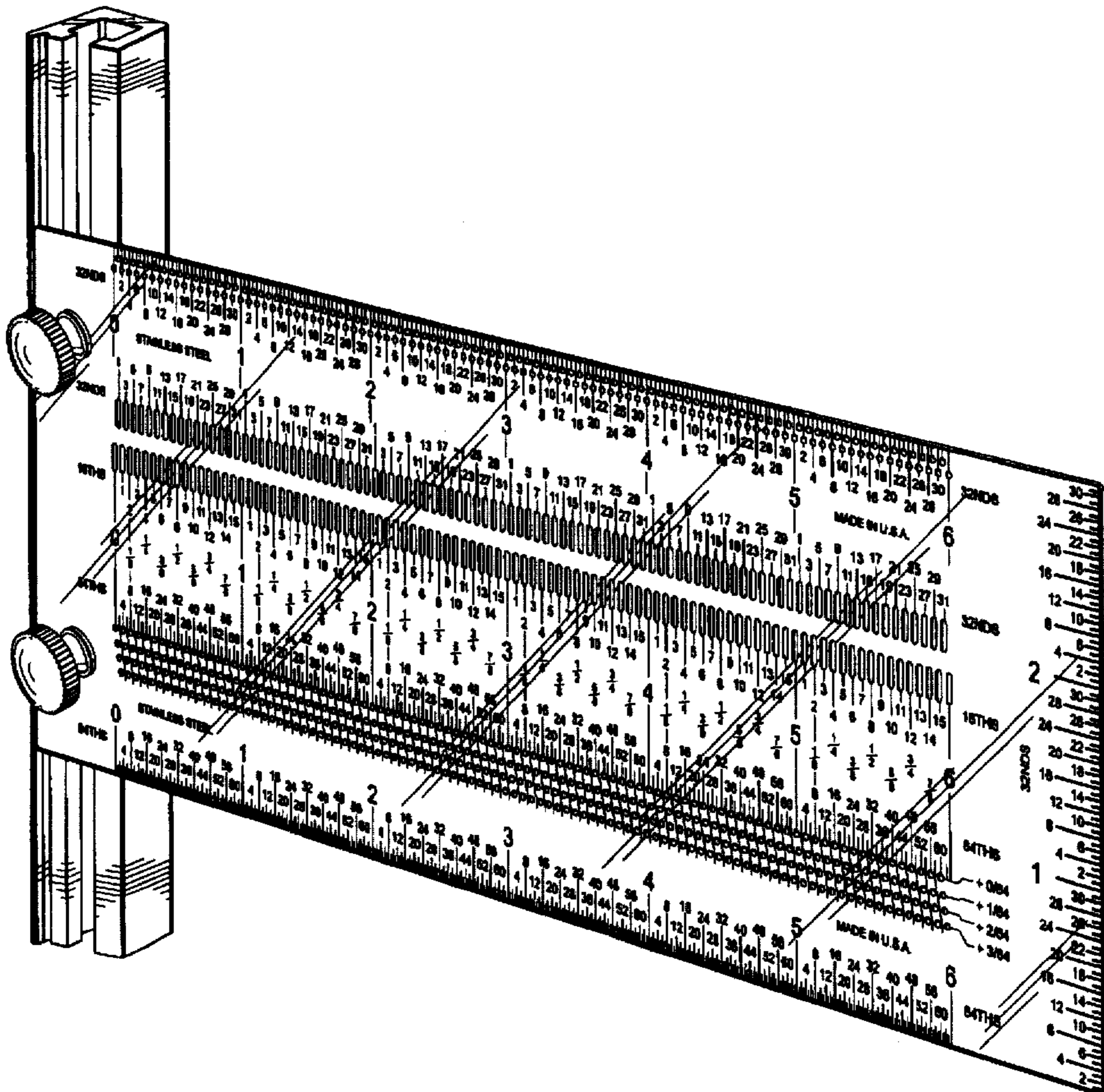
FIG. 1 is a perspective view of a T-Rule showing my design; FIG. 2 is a top plan view thereof; FIG. 3 is a side elevational view thereof, the other side being identical; FIG. 4 is a front elevational view thereof; FIG. 5 is a rear end elevational view thereof; and, FIG. 6 is a bottom plan view thereof.

### [56] References Cited

#### U.S. PATENT DOCUMENTS

D. 334,540 4/1993 Amann et al. .... D10/71 X  
732,379 6/1903 Shireman .  
844,243 2/1907 Breul .  
854,351 5/1907 Hight .  
861,799 7/1907 Breil .  
946,965 1/1910 Dinsmoor .  
1,257,683 2/1918 Defenbaugh .

**1 Claim, 4 Drawing Sheets**



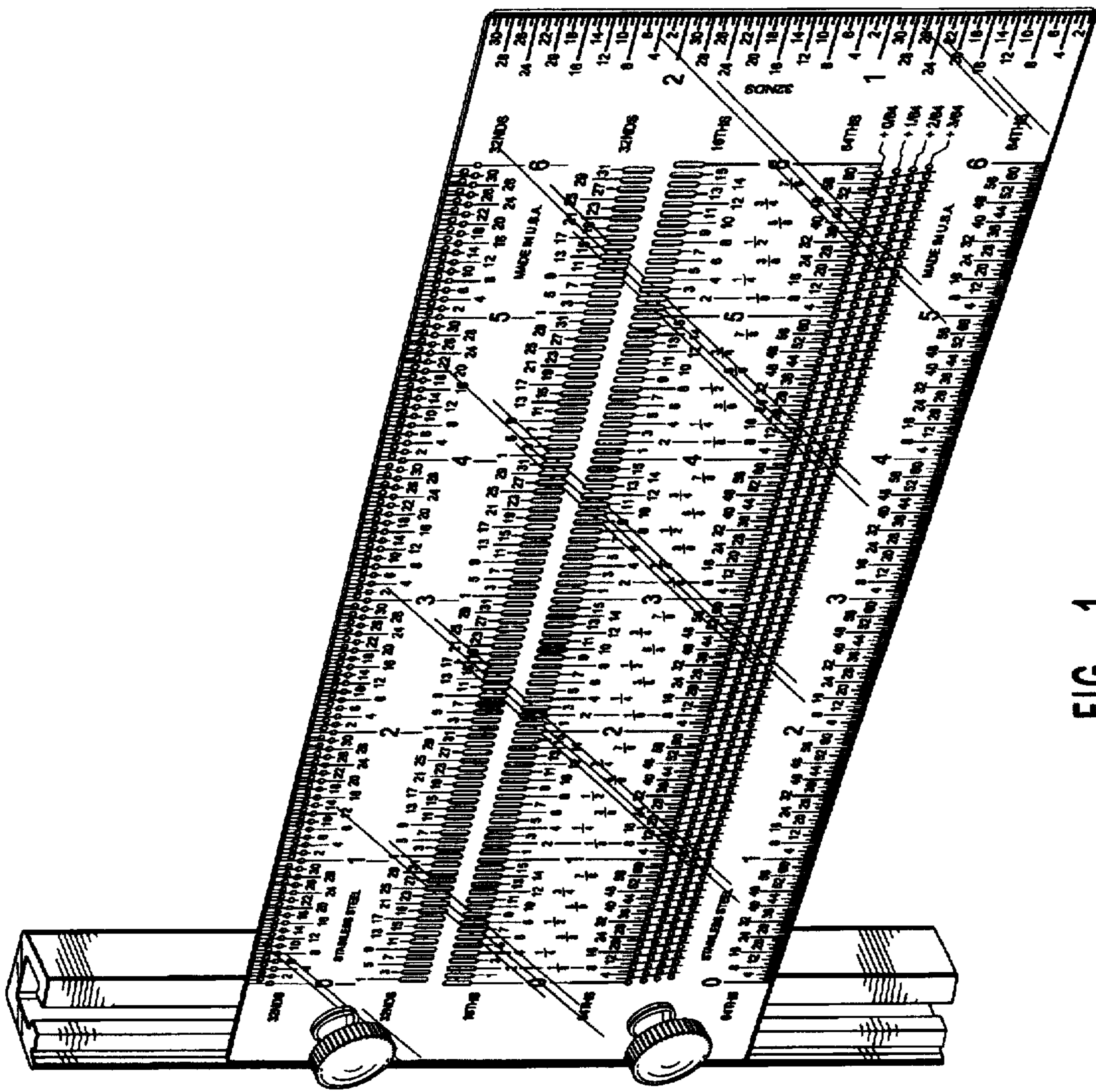
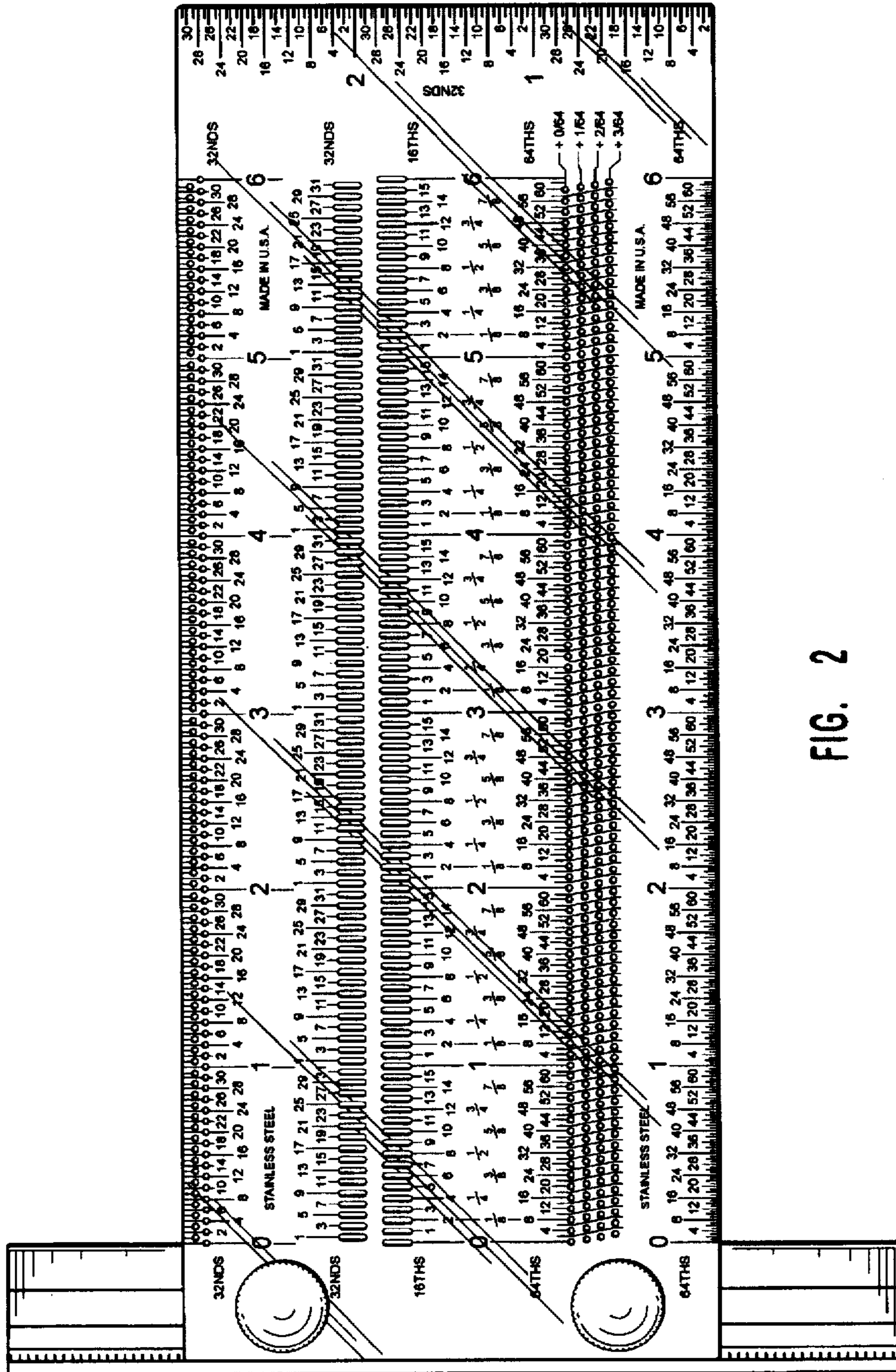


FIG. 1



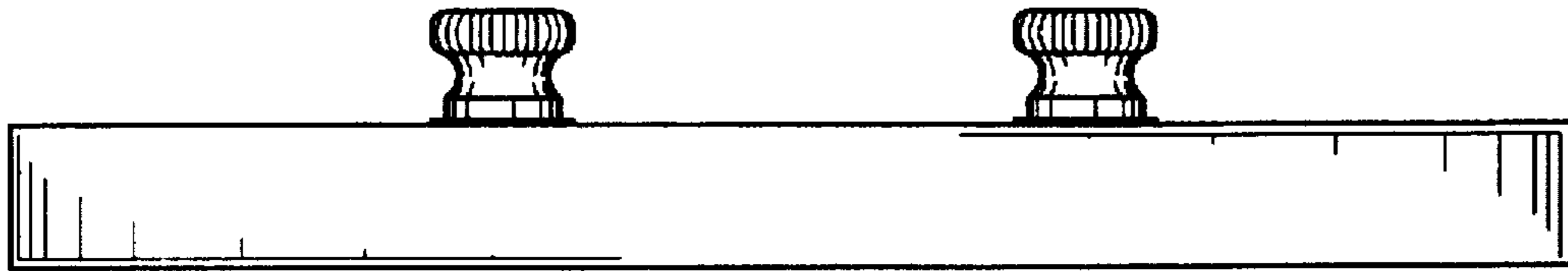


FIG. 5

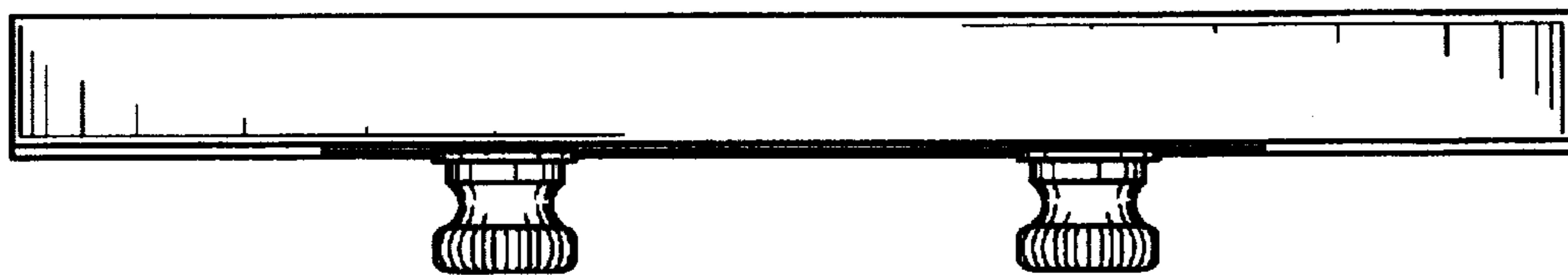


FIG. 4

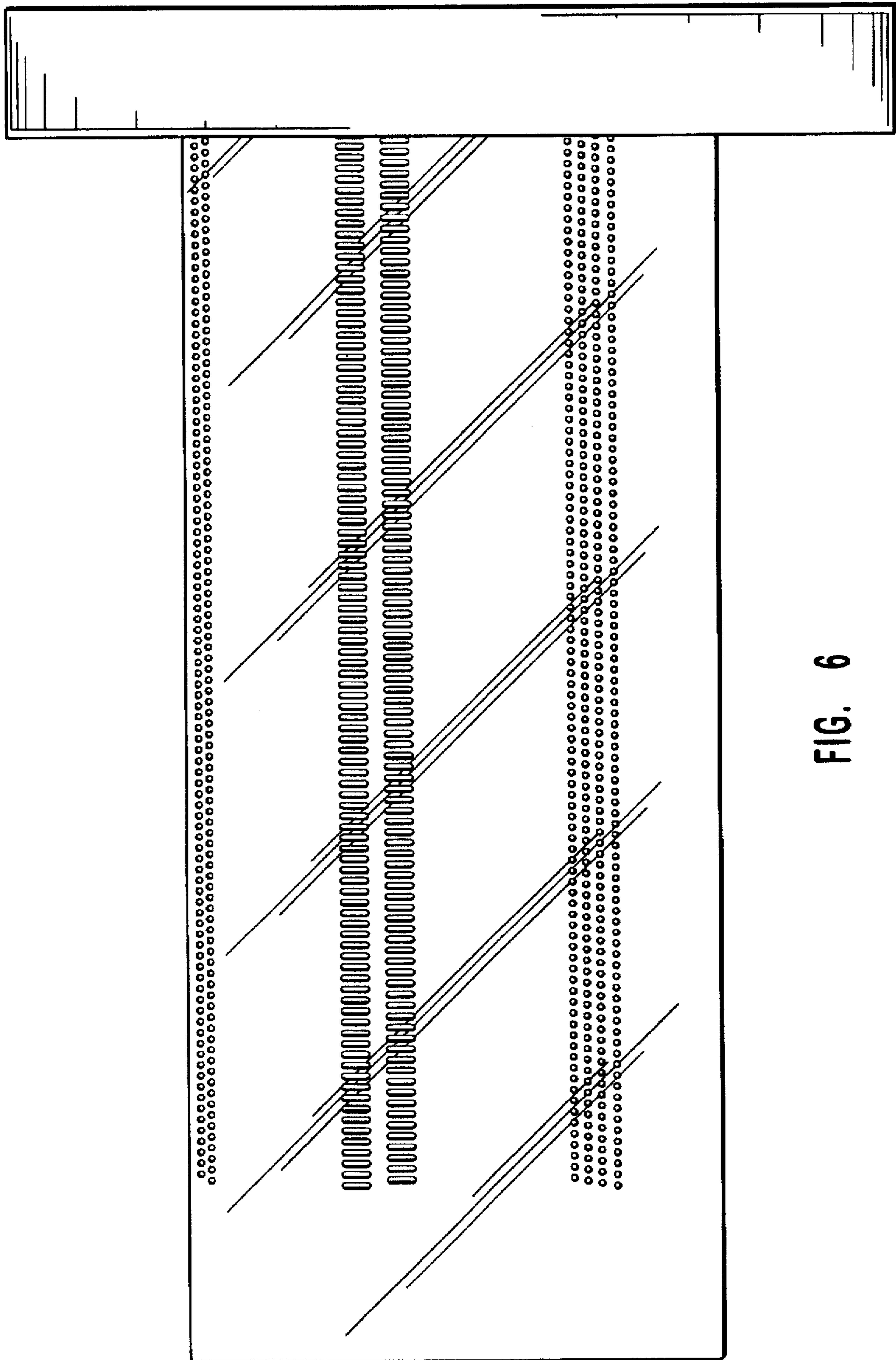


FIG. 6