



US00D384895S

# United States Patent [19]

[11] Patent Number: Des. 384,895

Sharp et al.

[45] Date of Patent: \*\*Oct. 14, 1997

[54] CLOCK

[75] Inventors: **Rosemary Y. Sharp**, Bayville; **Brian Labrecque**, New York, both of N.Y.

[73] Assignee: **Colibri Corporation, Linden Division**, Providence, R.I.

[\*\*] Term: 14 Years

[21] Appl. No.: 46,701

[22] Filed: Oct. 25, 1995

[51] LOC (6) Cl. .... 10-01

[52] U.S. Cl. .... D10/29; D10/6

[58] Field of Search ..... D10/1-40, 122-132;  
368/276-277, 285, 316-317

### [56] References Cited

#### U.S. PATENT DOCUMENTS

D. 240,717 7/1976 Frelske ..... D10/6  
D. 321,656 11/1991 Aikawa ..... D10/6

#### OTHER PUBLICATIONS

*Home Furnishings Daily*—Dec. 7, 1987—p. 74—clock at bottom—left.

*Primary Examiner*—Nelson C. Holtje

*Attorney, Agent, or Firm*—St. Onge Steward Johnston & Reens

### [57] CLAIM

The ornamental design for a clock, as shown and described.

### DESCRIPTION

FIG. 1 is a perspective view of a clock showing our new design;

FIG. 2 is a front elevation view of the clock;

FIG. 3 is a one side view of the clock of FIG. 2 with the other side view being the same;

FIG. 4 is a top view of the clock of FIG. 2;

FIG. 5 is a bottom view of the clock of FIG. 2;

FIG. 6 is a back view in elevation of the clock of FIG. 2;

FIG. 7 is a front elevation view of an alternate embodiment of the clock shown in FIG. 2; the side, top, and bottom views of the clock of FIG. 7 being the same as those for the clock shown in FIG. 2;

FIG. 8 is a back view in elevation of the clock shown in FIG. 7;

FIG. 9 is a perspective view of an alternate embodiment of the clock shown in FIG. 2, being the same in shape as the clock in FIG. 2 with stained glass segments lined for color;

FIG. 10 is a side view of the clock shown in FIG. 9 and being the same as the side view in FIG. 3 and with the other side view being the same;

FIG. 11 is a front view in elevation of the clock shown in FIG. 9, being the same in shape as the clock in FIG. 2 with stained glass segments lined for color;

FIG. 12 is a top view of the clock shown in FIG. 11 and is the same as the top view of the clock shown in FIG. 4;

FIG. 13 is a bottom view of the clock shown in FIG. 11 and is the same as the bottom view of the clock shown in FIG. 5;

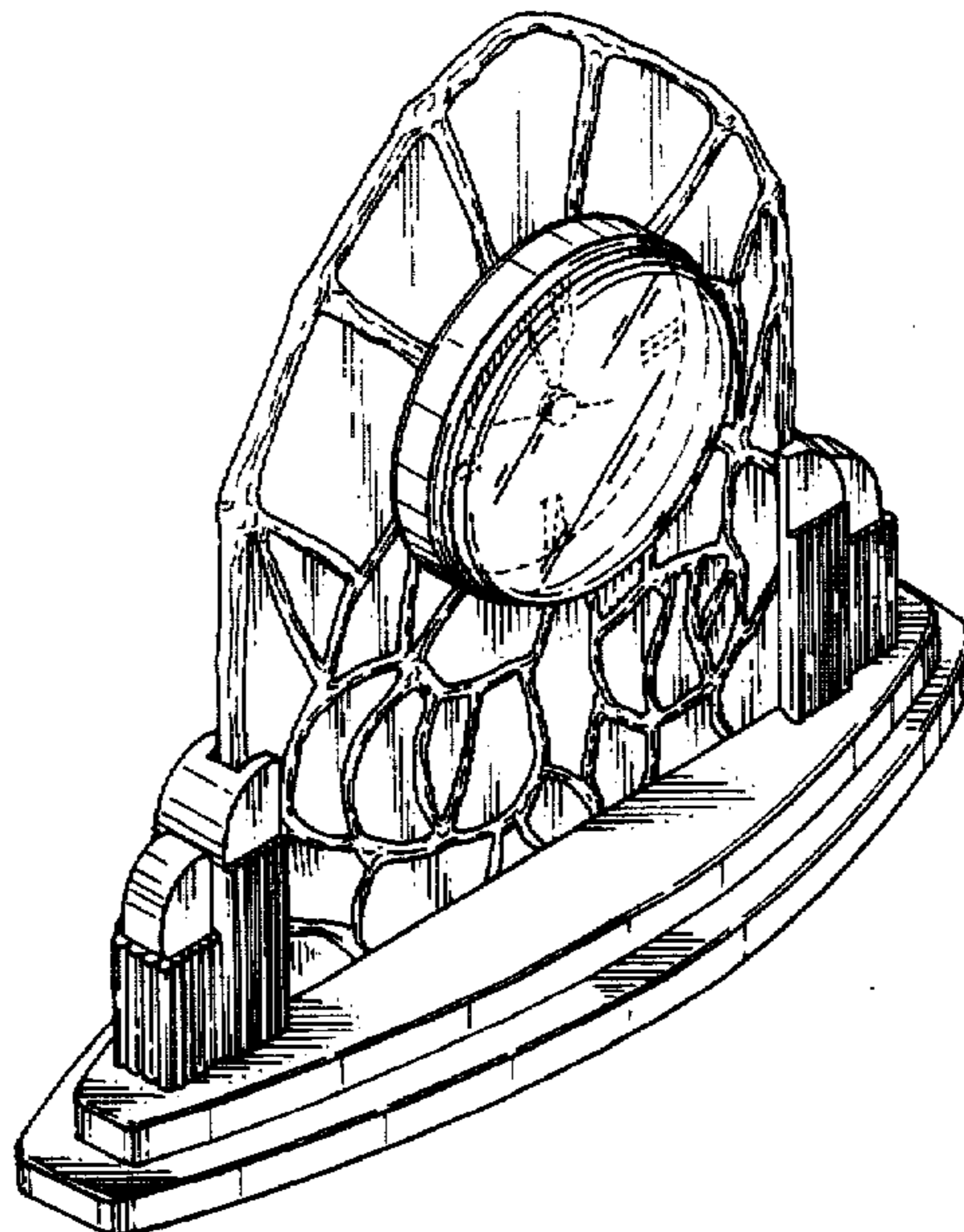
FIG. 14 is a back view in elevation of the clock shown in FIG. 11 and is the same as the back view shown in FIG. 6 with stained glass segments lined for color;

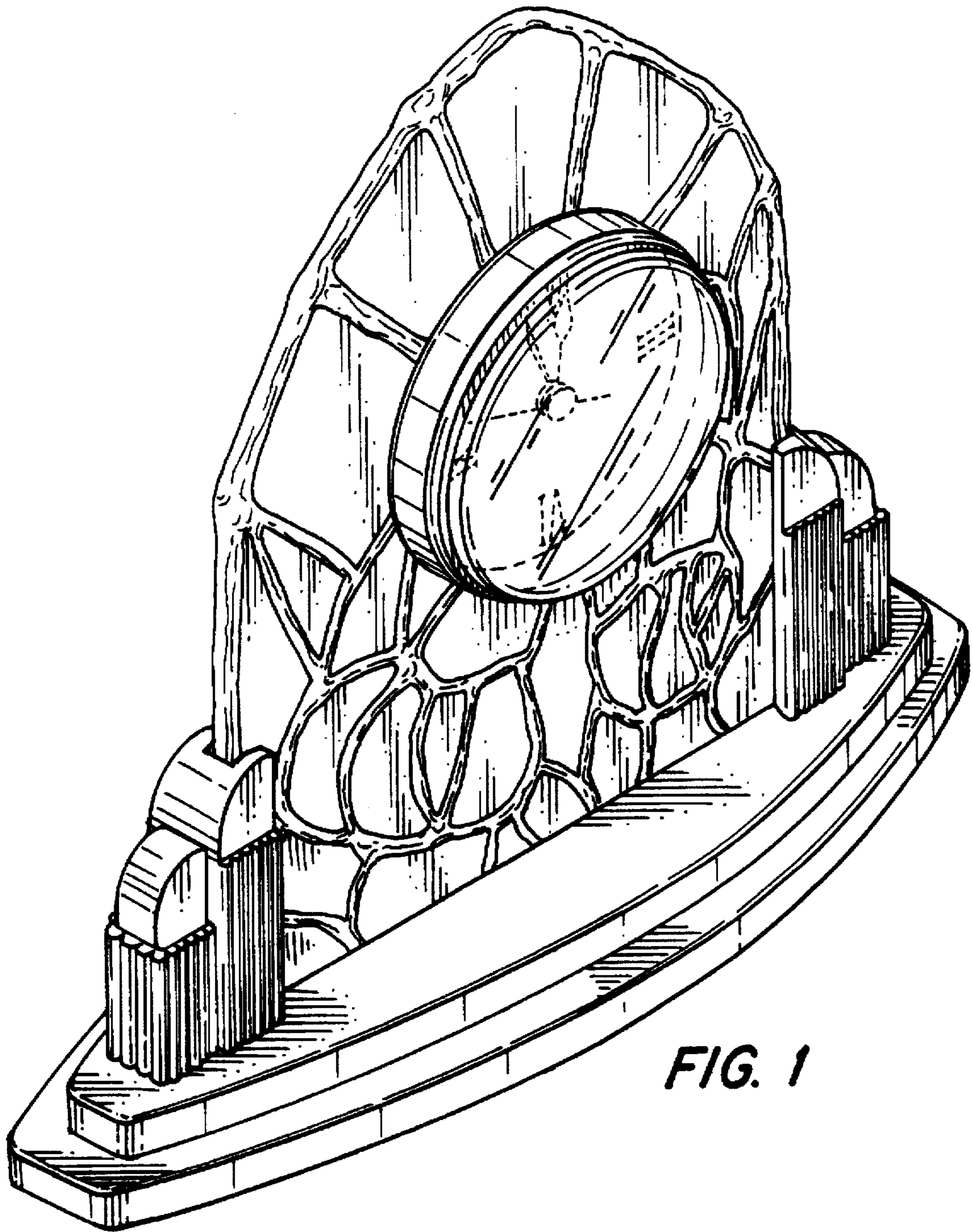
FIG. 15 is a front view in elevation of an alternate embodiment for the clock having the same shape as the clock in FIG. 7 with stained glass segments lined for color, and with the side, top and bottom views the same as for the clocks shown in FIGS. 2 and 7; and,

FIG. 16 is a back view in elevation of the clock shown in FIG. 15 and being the same as the back view shown in FIG. 8 with stained glass segments lined for color.

The broken-line showings of FIGS. 1, 2, 7, 11, and 15 are environmental only and form no part of the claimed design.

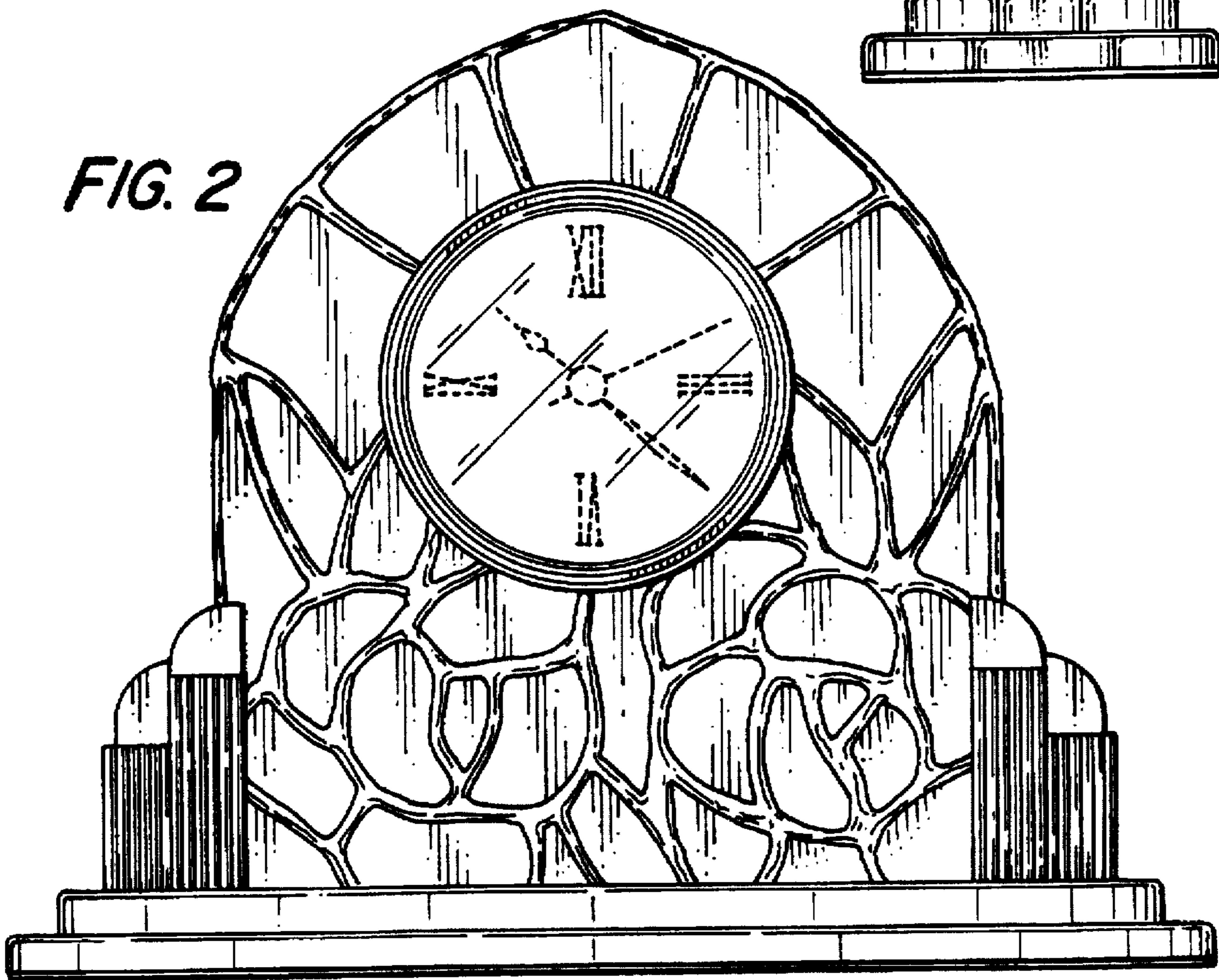
1 Claim, 10 Drawing Sheets



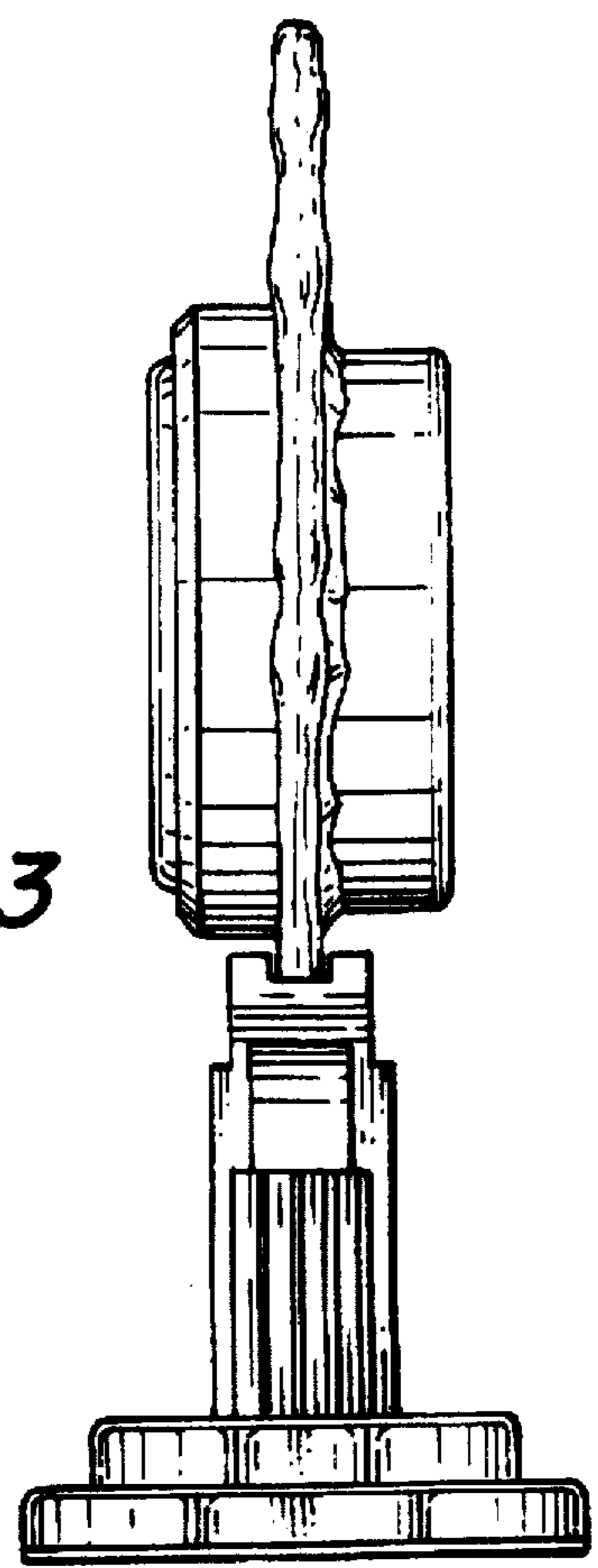


**FIG. 1**





*FIG. 2*



*FIG. 3*

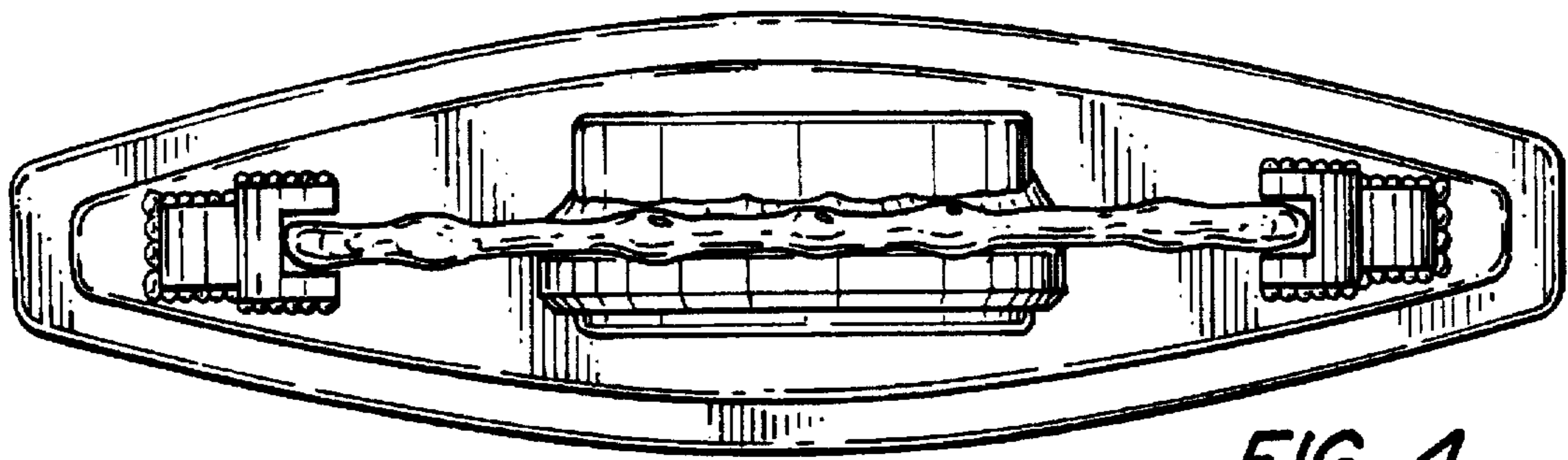


FIG. 4

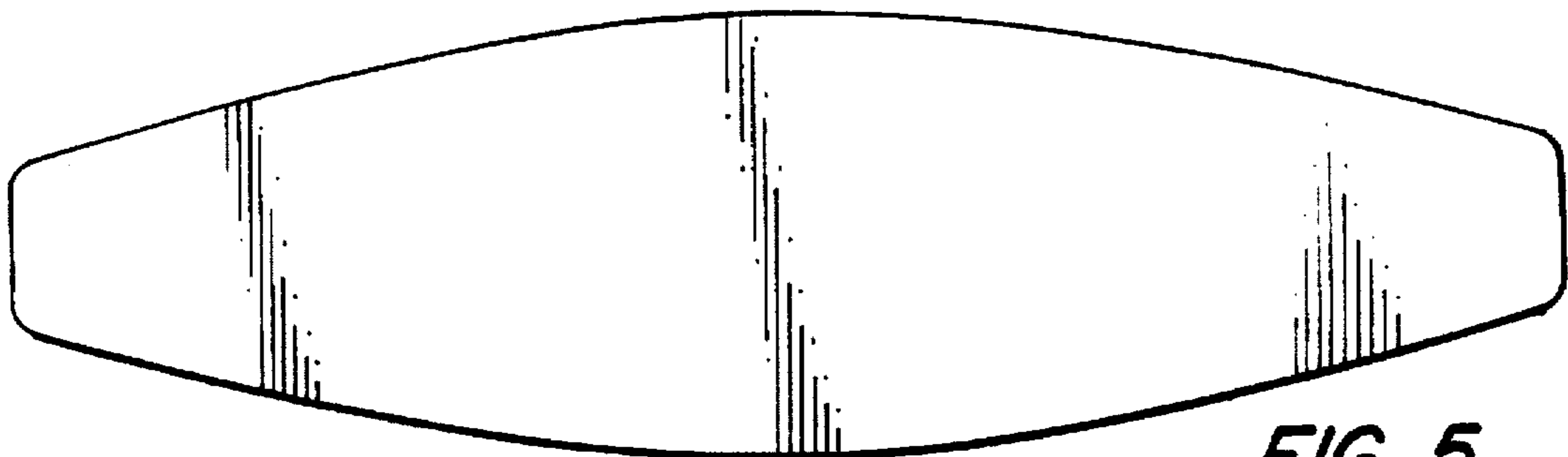
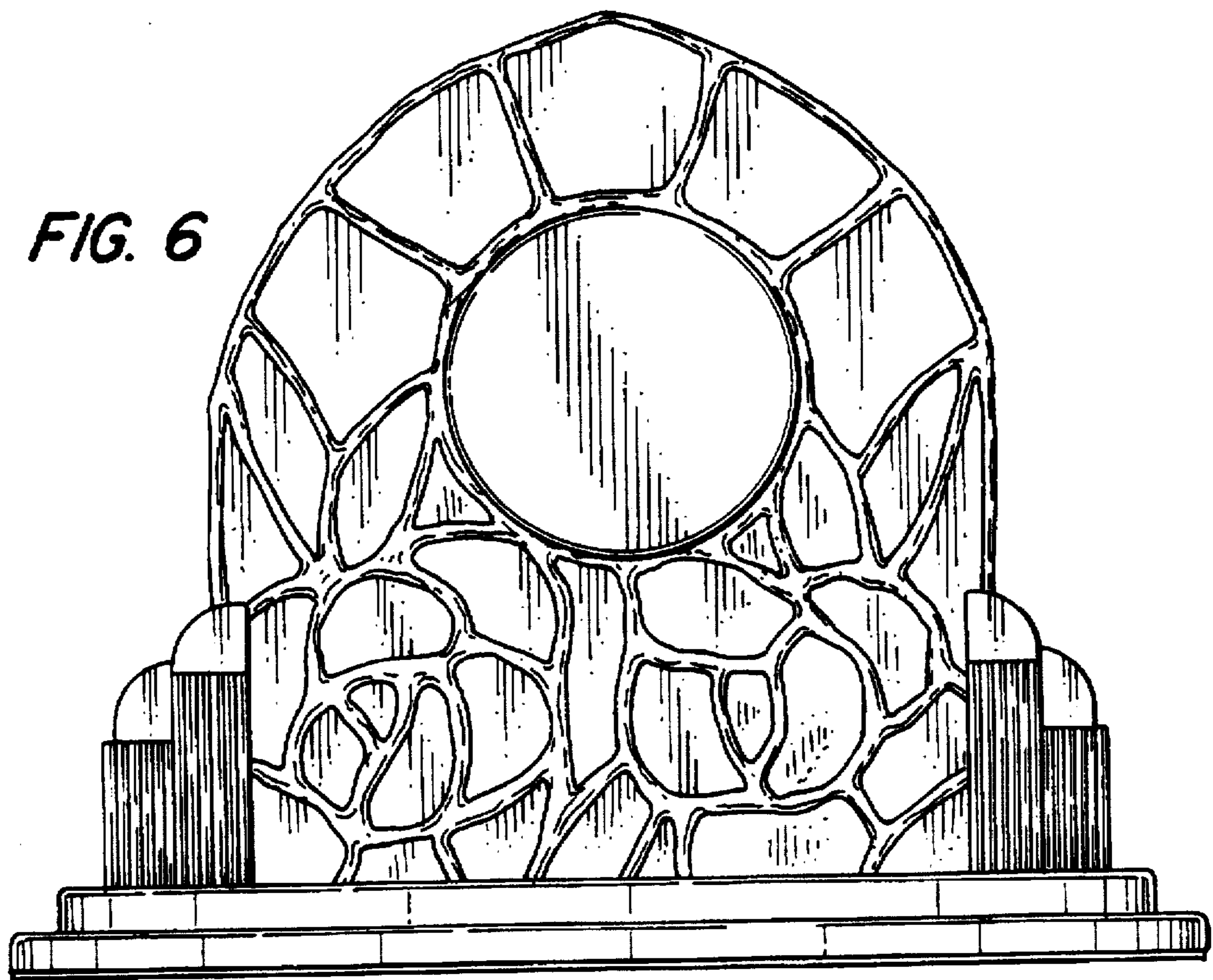
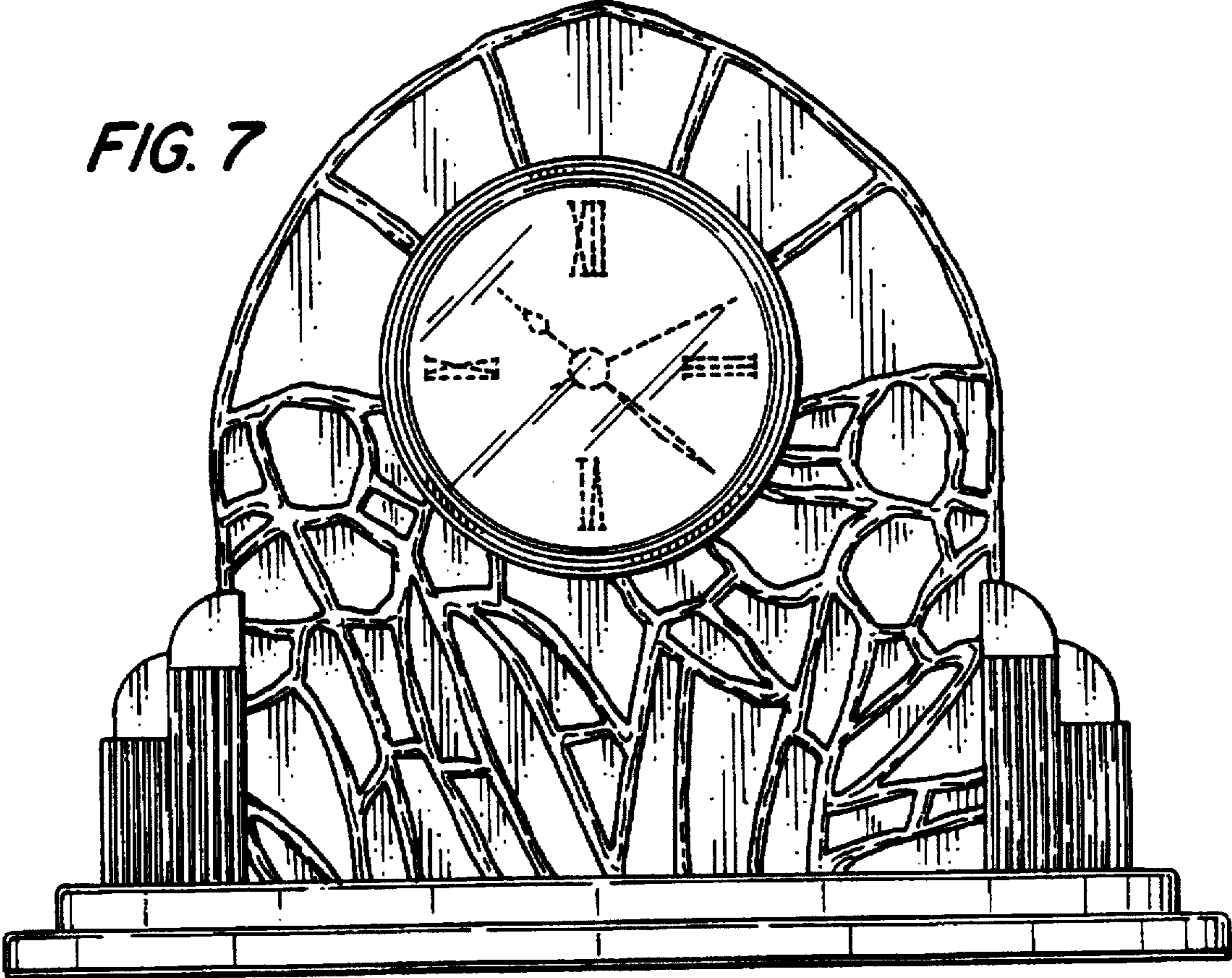


FIG. 5

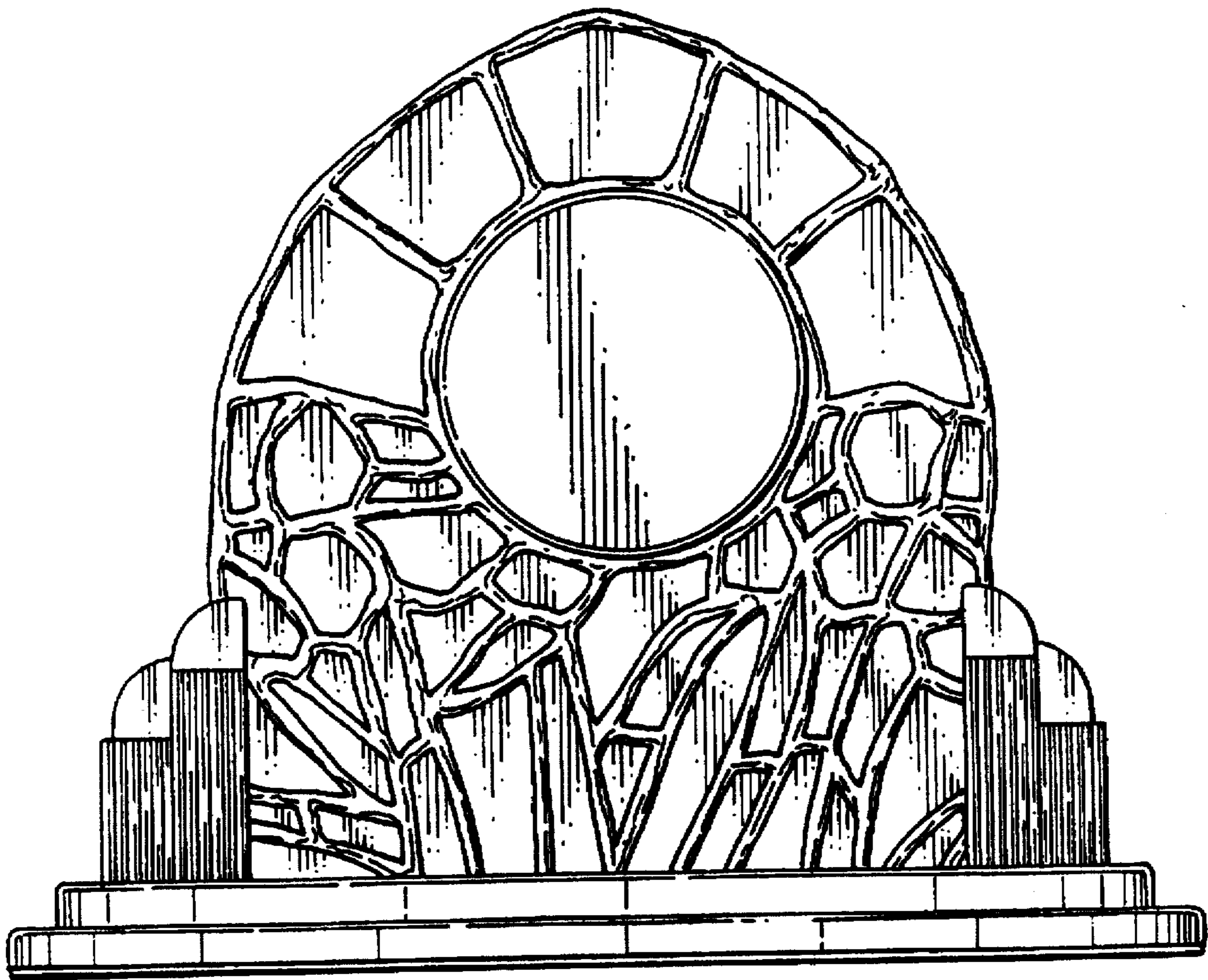
FIG. 6



*FIG. 7*







*FIG. 8*

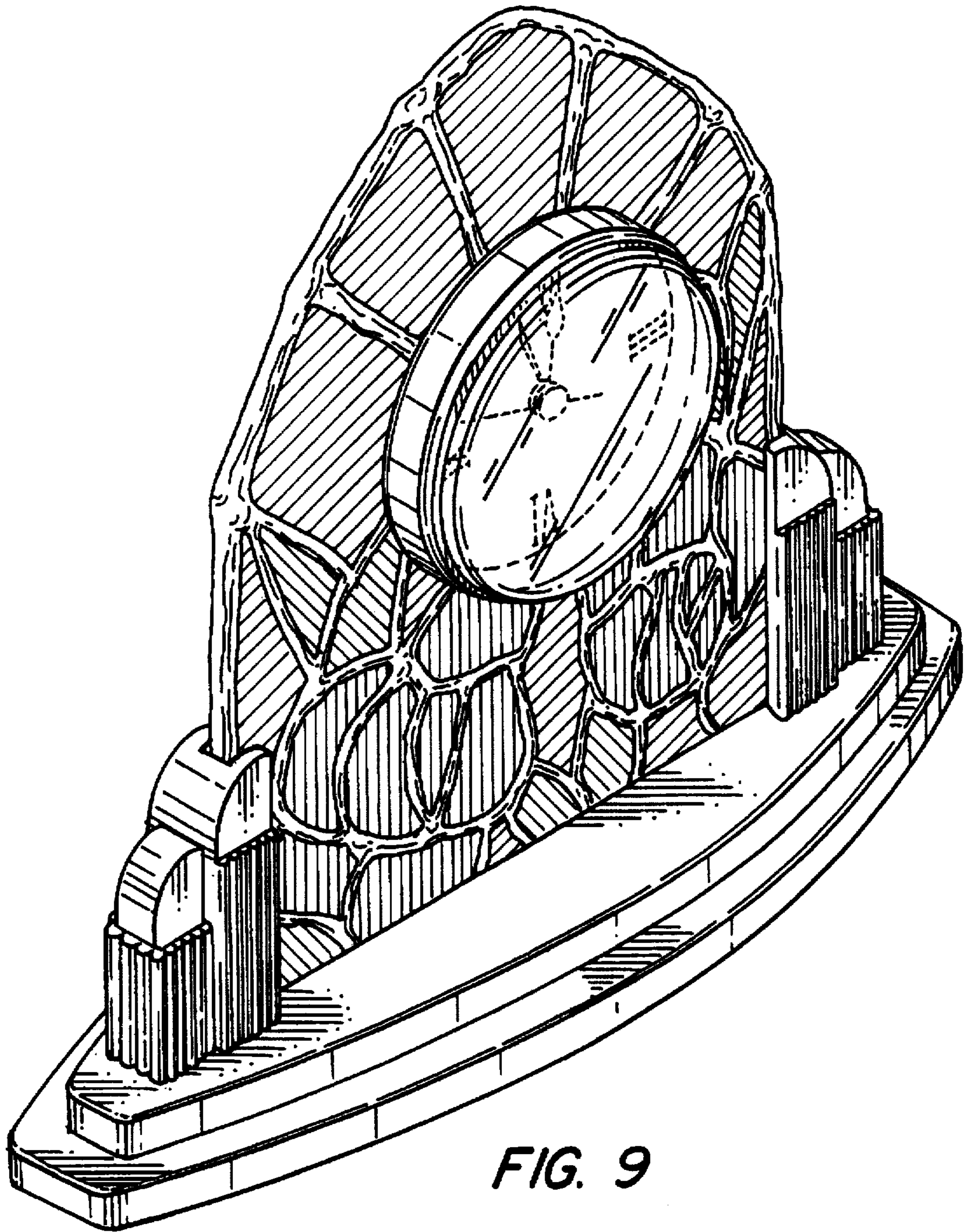
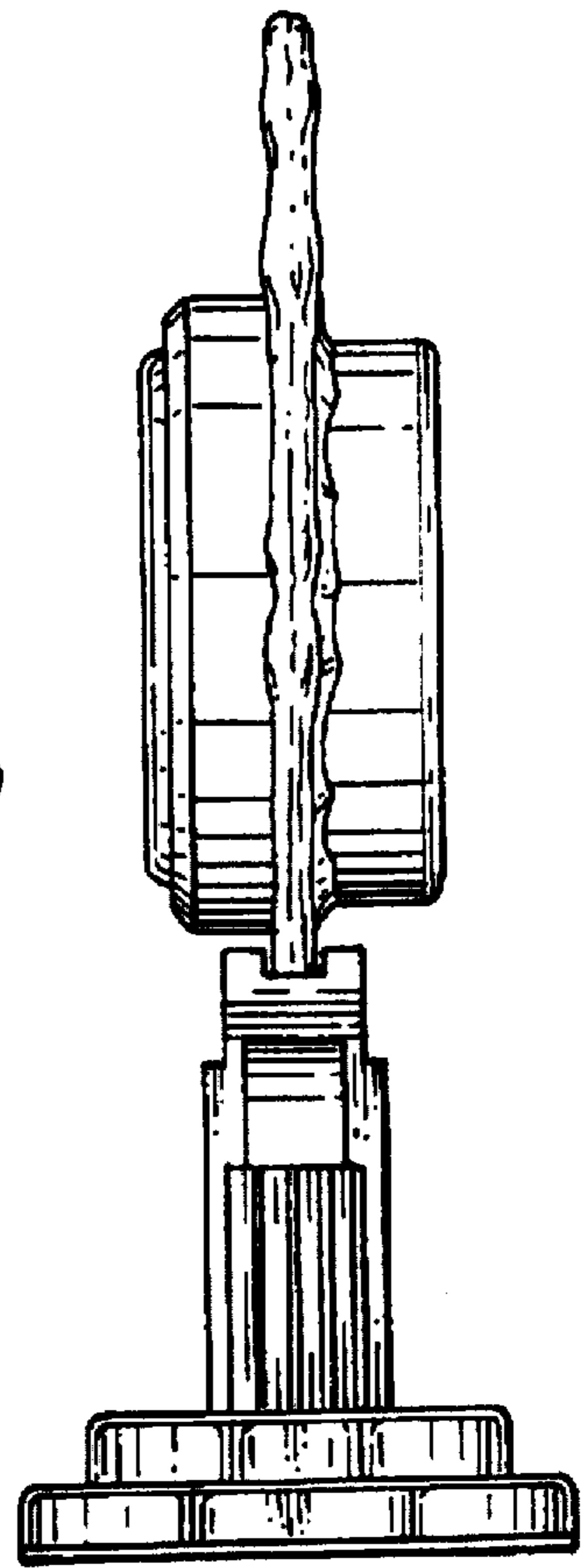
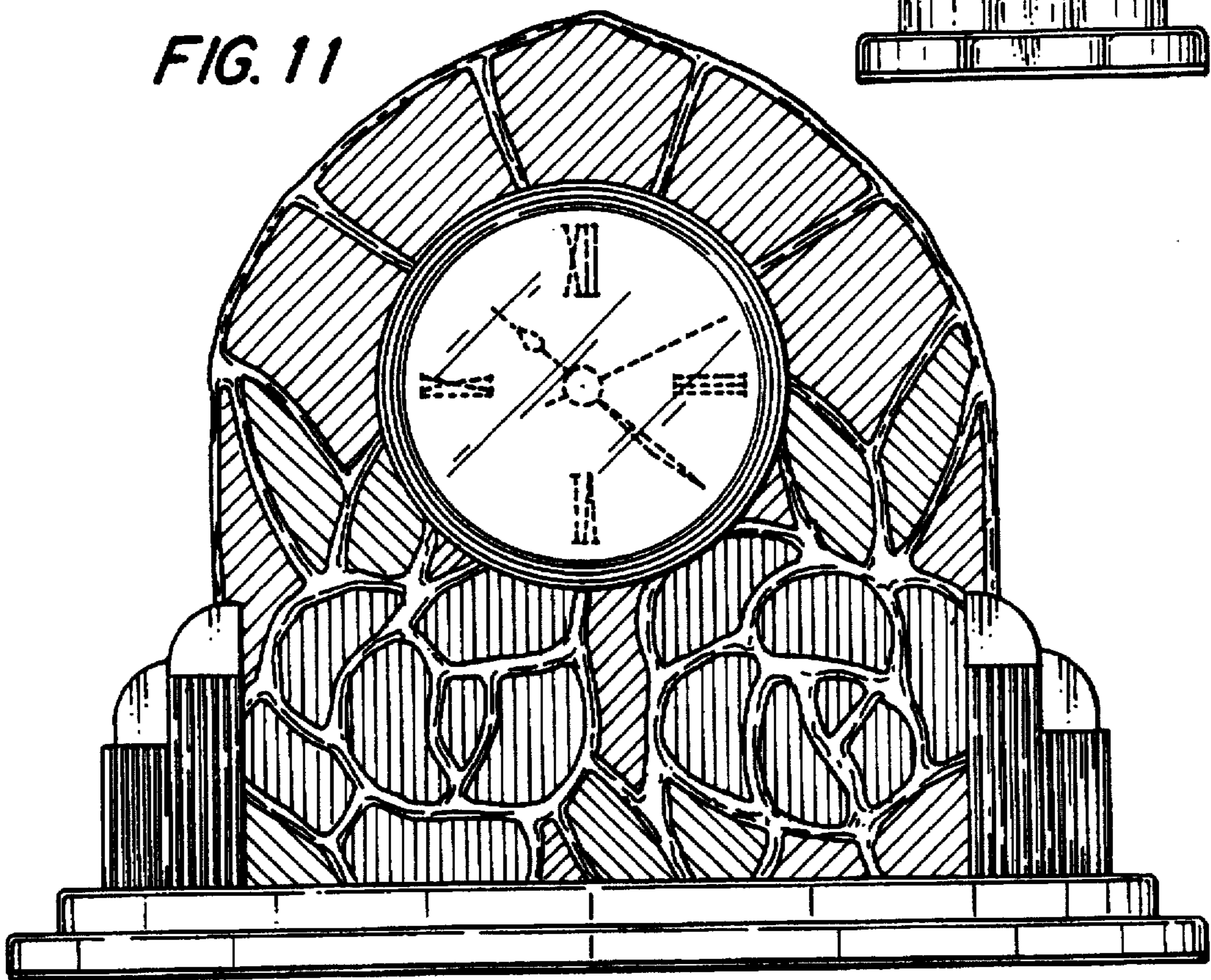


FIG. 9

*FIG. 10*

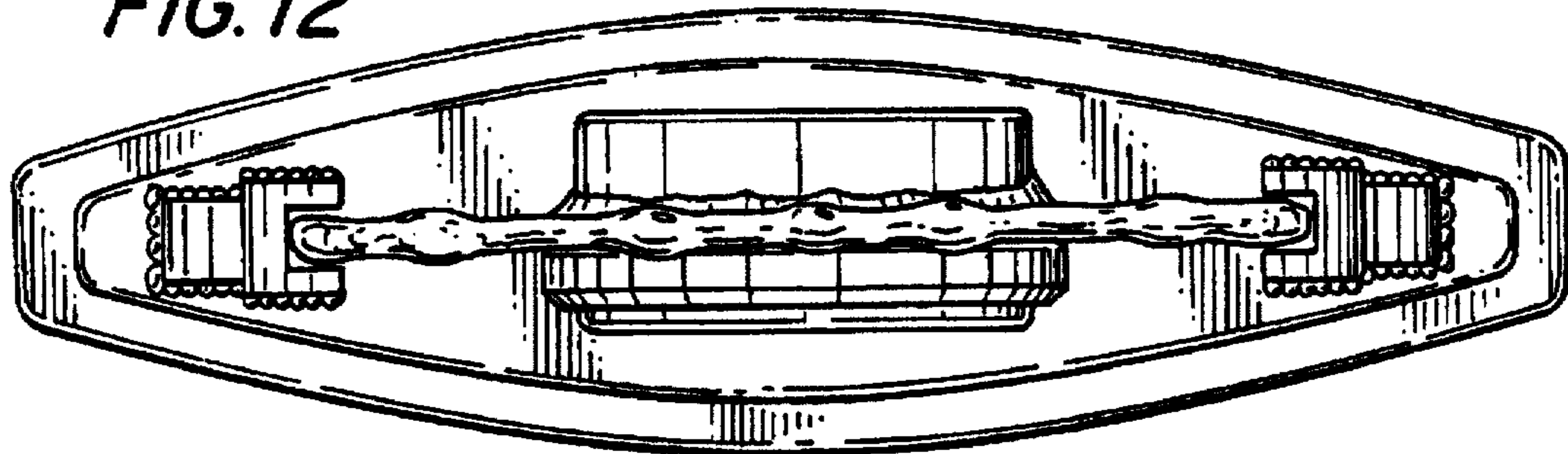


*FIG. 11*

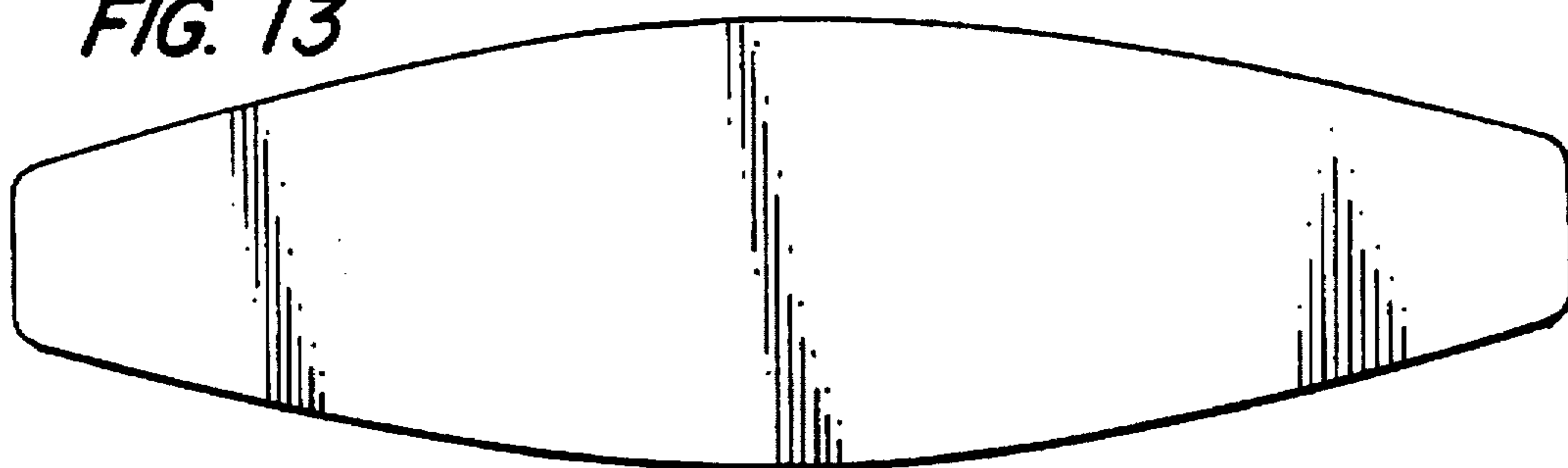




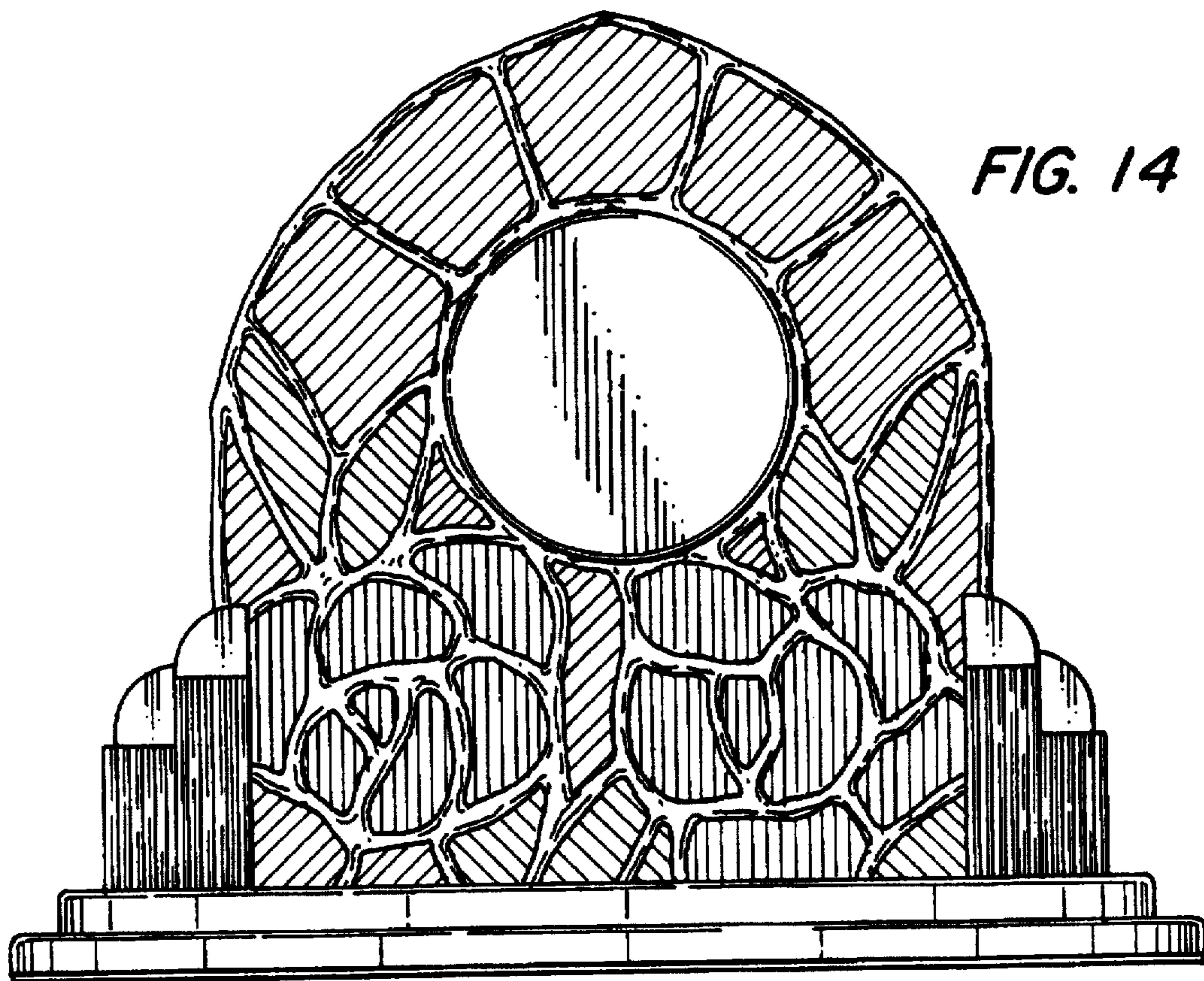
*FIG. 12*

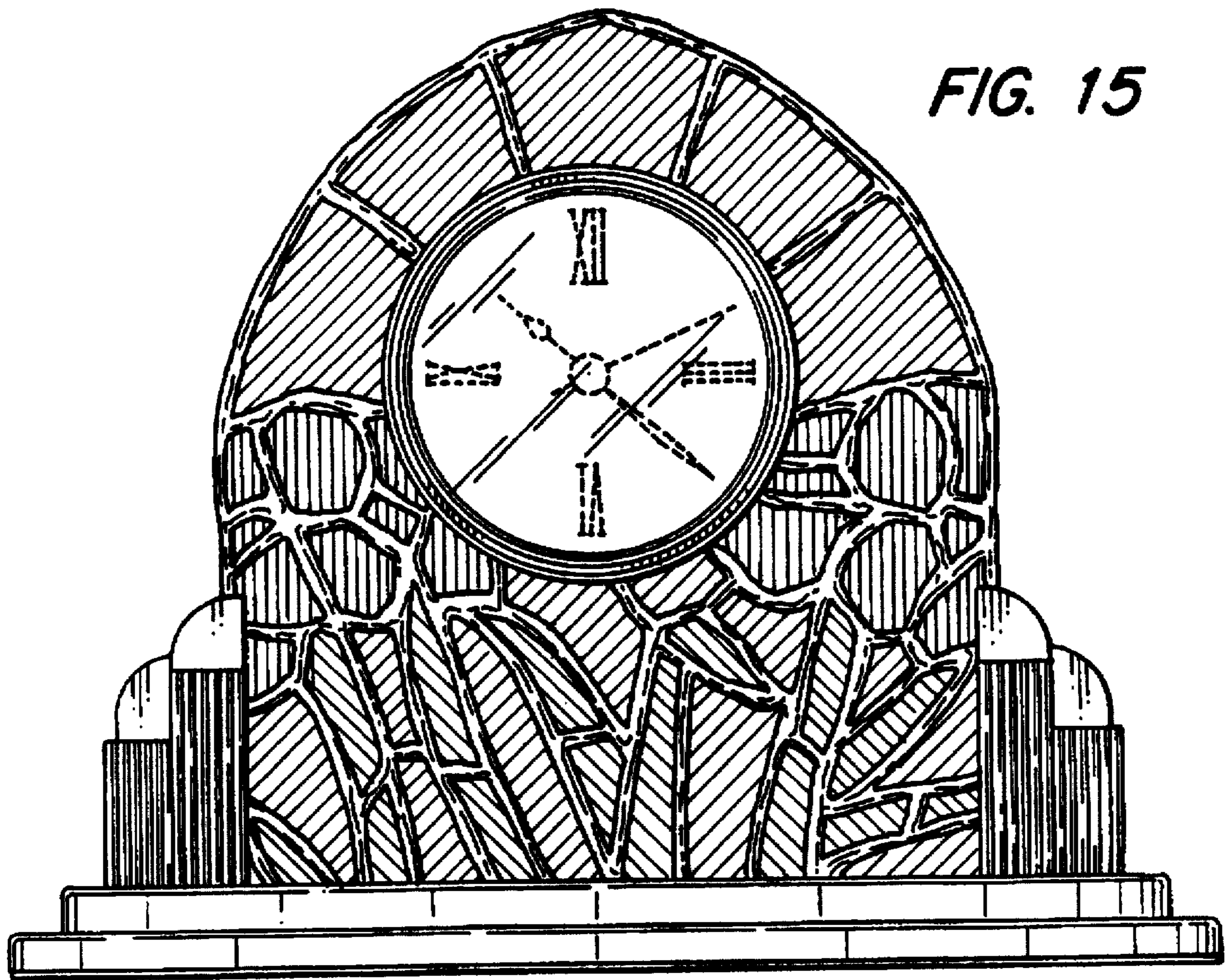


*FIG. 13*



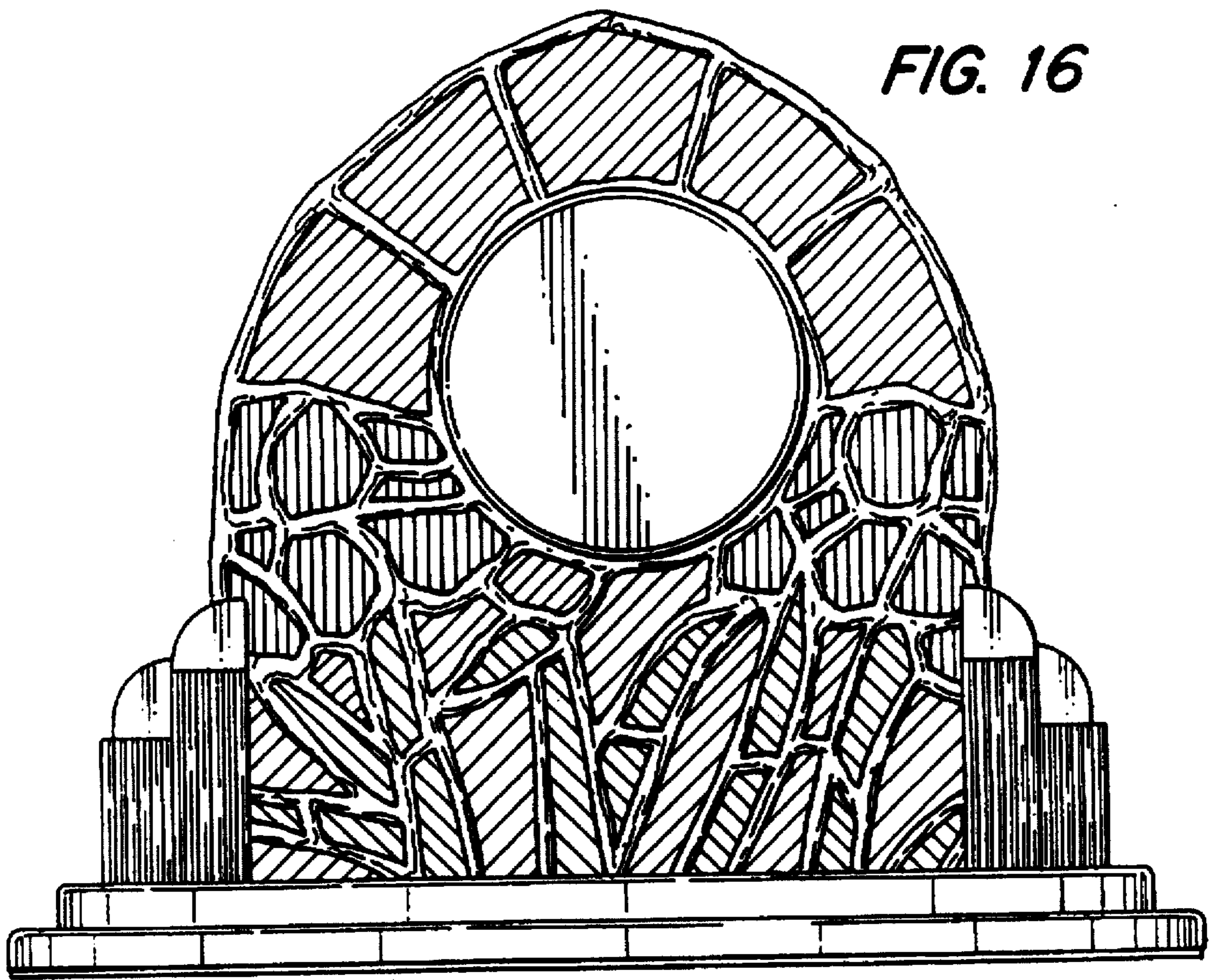
*FIG. 14*





*FIG. 15*





*FIG. 16*