

US00D384886S

# United States Patent [19] Plante

[11] Patent Number: **Des. 384,886**

[45] Date of Patent: **\*\*Oct. 14, 1997**

[54] **CONTAINER LID AND COMPASS**

[76] Inventor: **Stephen M. Plante, 1781 Bryan Ave., Winter Park, Fla. 32701**

[\*\*] Term: **14 Years**

[21] Appl. No.: **44,573**

[22] Filed: **Sep. 26, 1995**

[51] LOC (6) Cl. .... **09-07**

[52] U.S. Cl. .... **D9/436; D9/453; D10/68**

[58] Field of Search ..... **D9/435, 436, 452, D9/453, 454, 499; D10/62, 68; 215/316, 328, 228; 220/212, 288**

[56] **References Cited**

**U.S. PATENT DOCUMENTS**

D. 93,531	10/1934	Bandoly	.....	D10/68
D. 134,829	1/1943	Brown	.....	D10/68 X
D. 179,206	11/1956	Lynn	.....	D9/454 X
D. 274,887	7/1984	Ryder	.....	D9/453 X
D. 283,099	3/1986	Shabram, Sr. et al.	.....	D9/436 X
D. 291,970	9/1987	Downing et al.	.....	D9/436
D. 309,116	7/1990	Marshall	.....	D10/62
3,467,287	9/1969	Marchant et al.	.....	D9/450 X
4,466,553	8/1984	Zenger	.....	220/306 X

*Primary Examiner*—James Gandy  
*Assistant Examiner*—Cathron B. Matta  
*Attorney, Agent, or Firm*—Allen, Dyer, Doppelt, Milbrath & Gilchrist, P.A.

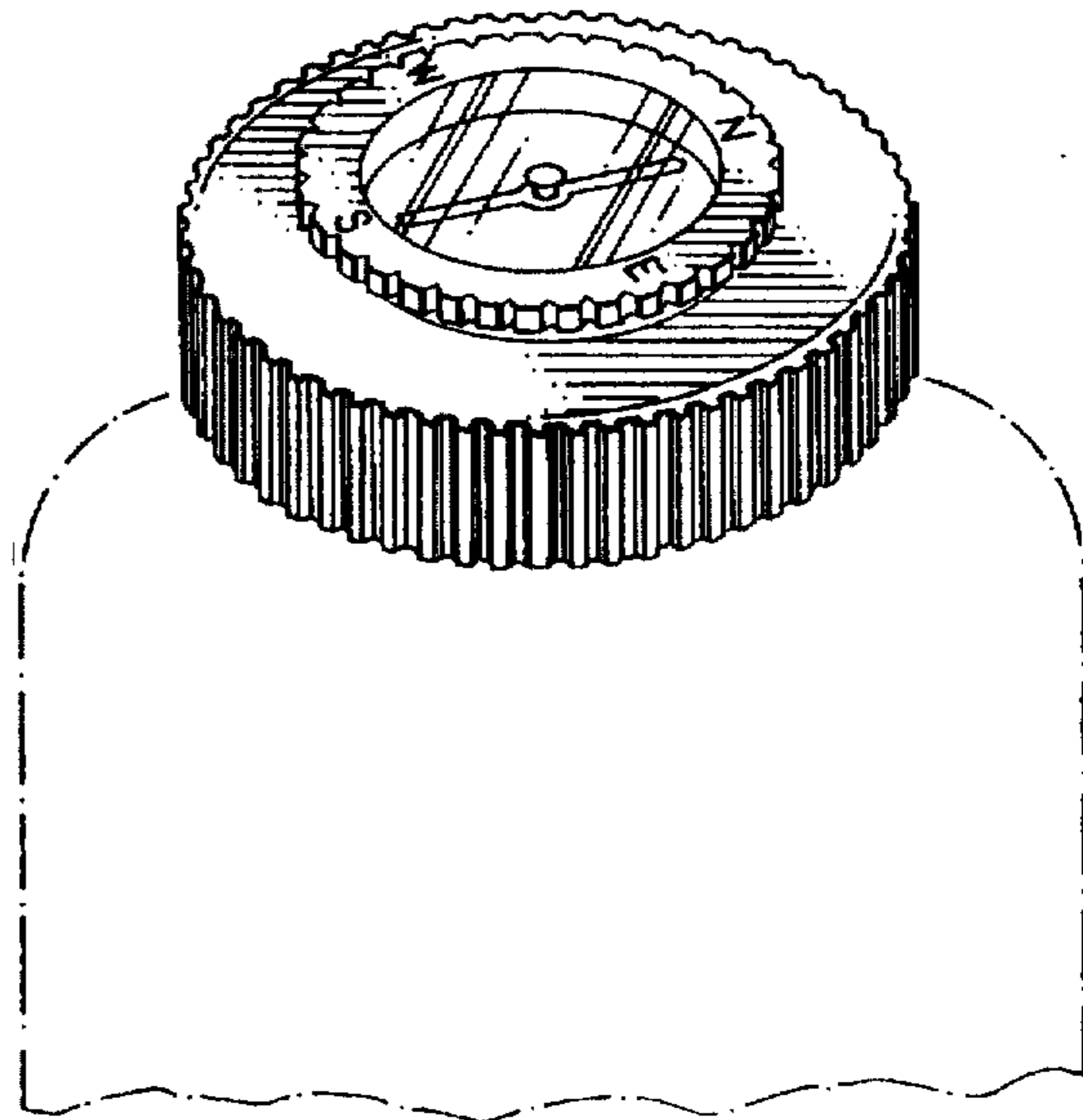
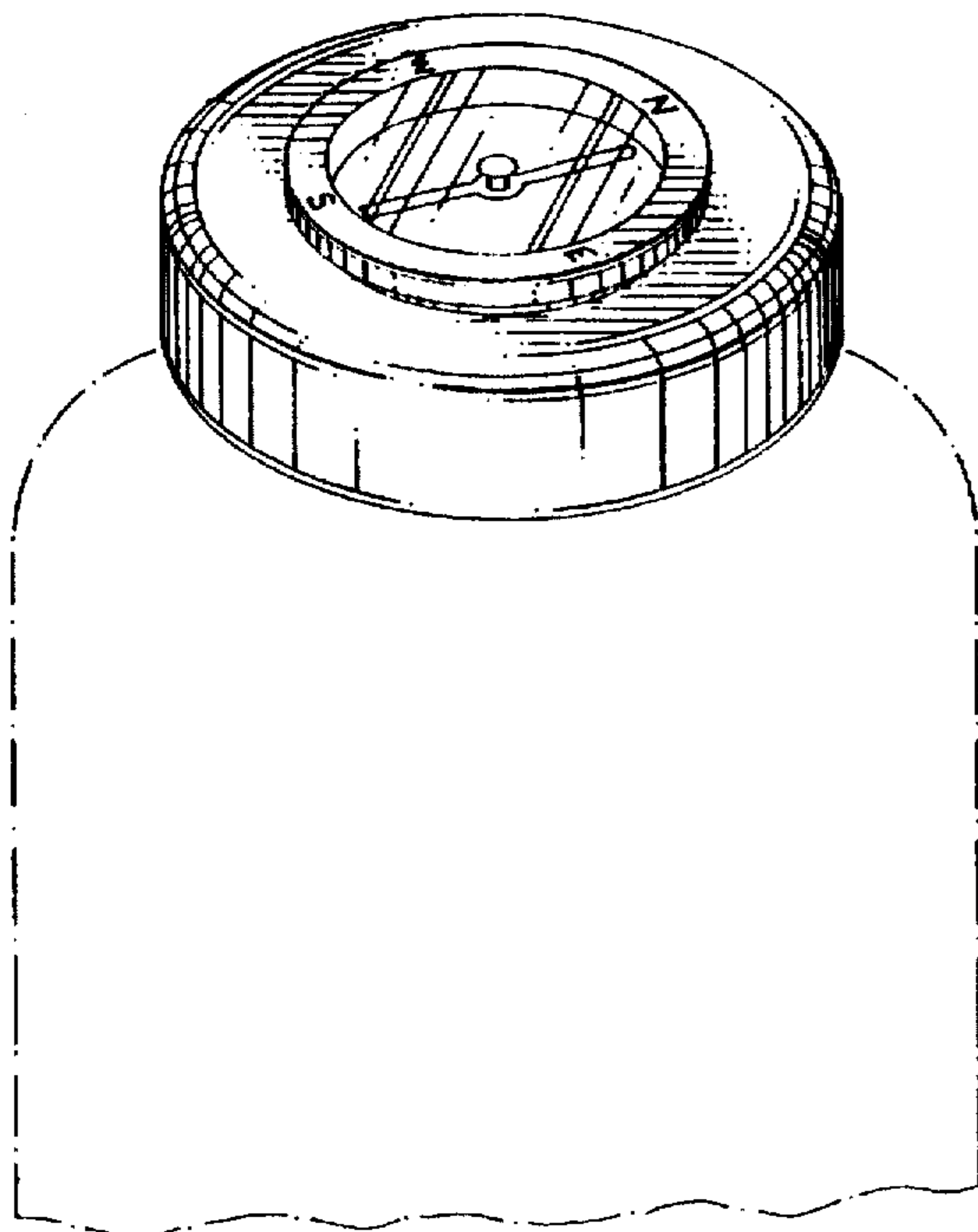
[57] **CLAIM**

The ornamental design for a container lid and compass, as shown and described.

**DESCRIPTION**

FIG. 1 is a top, right perspective view of a container lid and compass, showing my new design;  
FIG. 2 is a front elevational view thereof, the rear elevational view being a mirror image;  
FIG. 3 is a top plan view thereof;  
FIG. 4 is a top, right perspective view of a second embodiment of FIG. 1;  
FIG. 5 is a front elevational view of the embodiment of FIG. 4, the rear elevational view being a mirror image;  
FIG. 6 is a top plan view of the embodiment of FIG. 4;  
FIG. 7 is a top, right perspective view of a third embodiment of FIG. 1;  
FIG. 8 is a top plan view of the embodiment of FIG. 7;  
FIG. 9 is a front elevational view of the embodiment of FIG. 7, the rear elevational view being a mirror image;  
FIG. 10 is a top, right perspective view of a fourth embodiment of FIG. 1;  
FIG. 11 is a top plan view of the embodiment of FIG. 10;  
FIG. 12 is a front elevational view of the embodiment of FIG. 10, the rear elevational view being a mirror image;  
FIG. 13 is a top, right perspective view of a fifth embodiment of FIG. 1;  
FIG. 14 is a top plan view of the embodiment of FIG. 13; and,  
FIG. 15 is a front elevational view of the embodiment of FIG. 13, the rear elevational view being a mirror image.  
The broken line showing of a container is for illustrative purposes only and forms no part of the claimed design.  
The bottom and inside of the cap form no part of the claimed design.

**1 Claim, 3 Drawing Sheets**



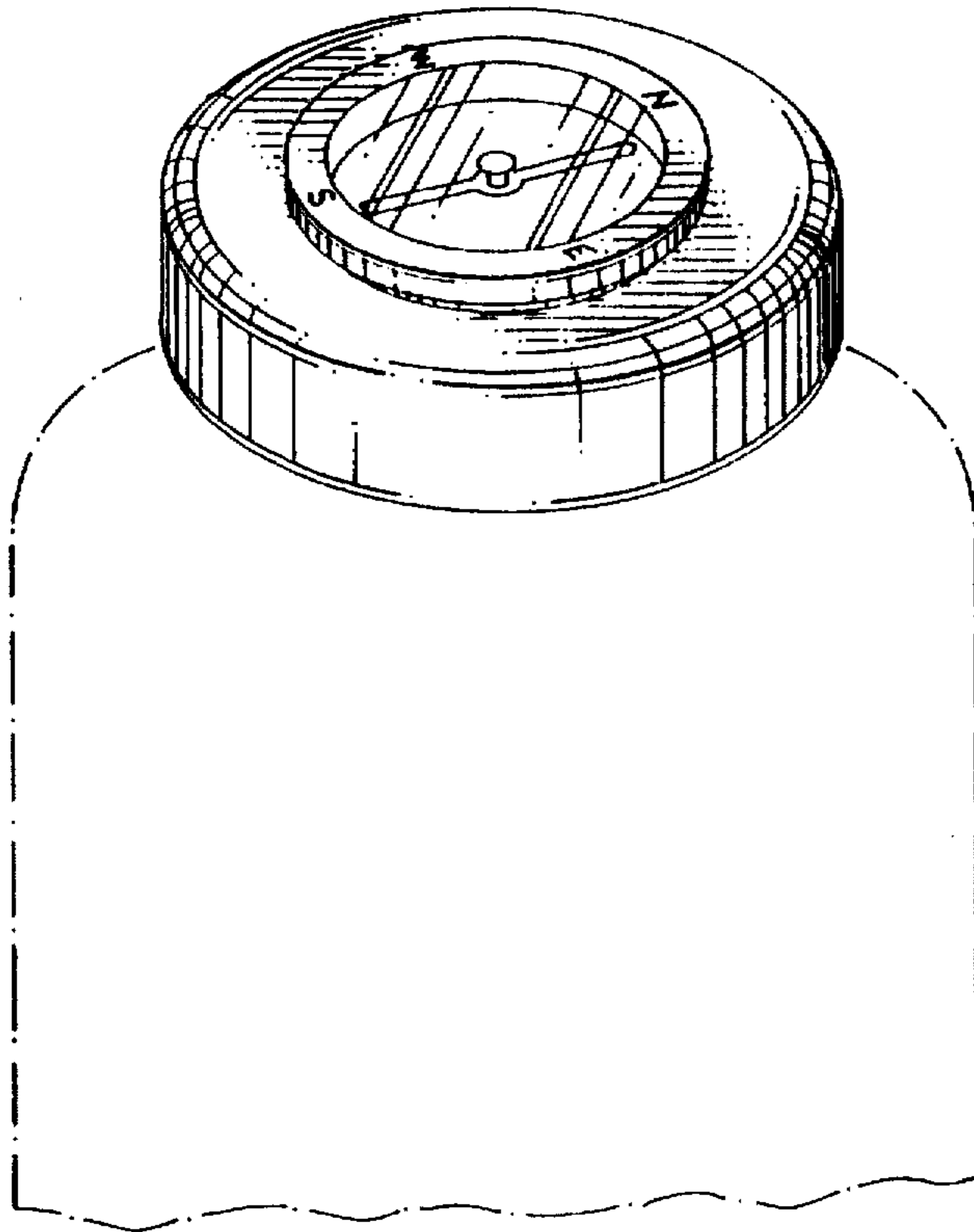


FIG. 1

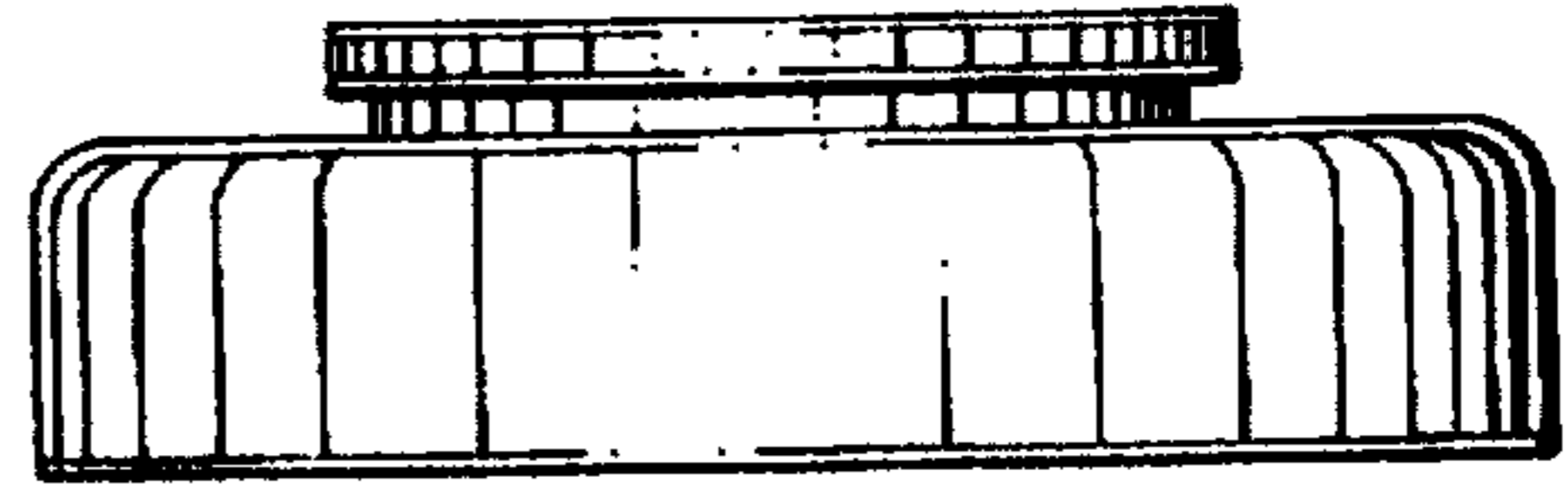


FIG. 2

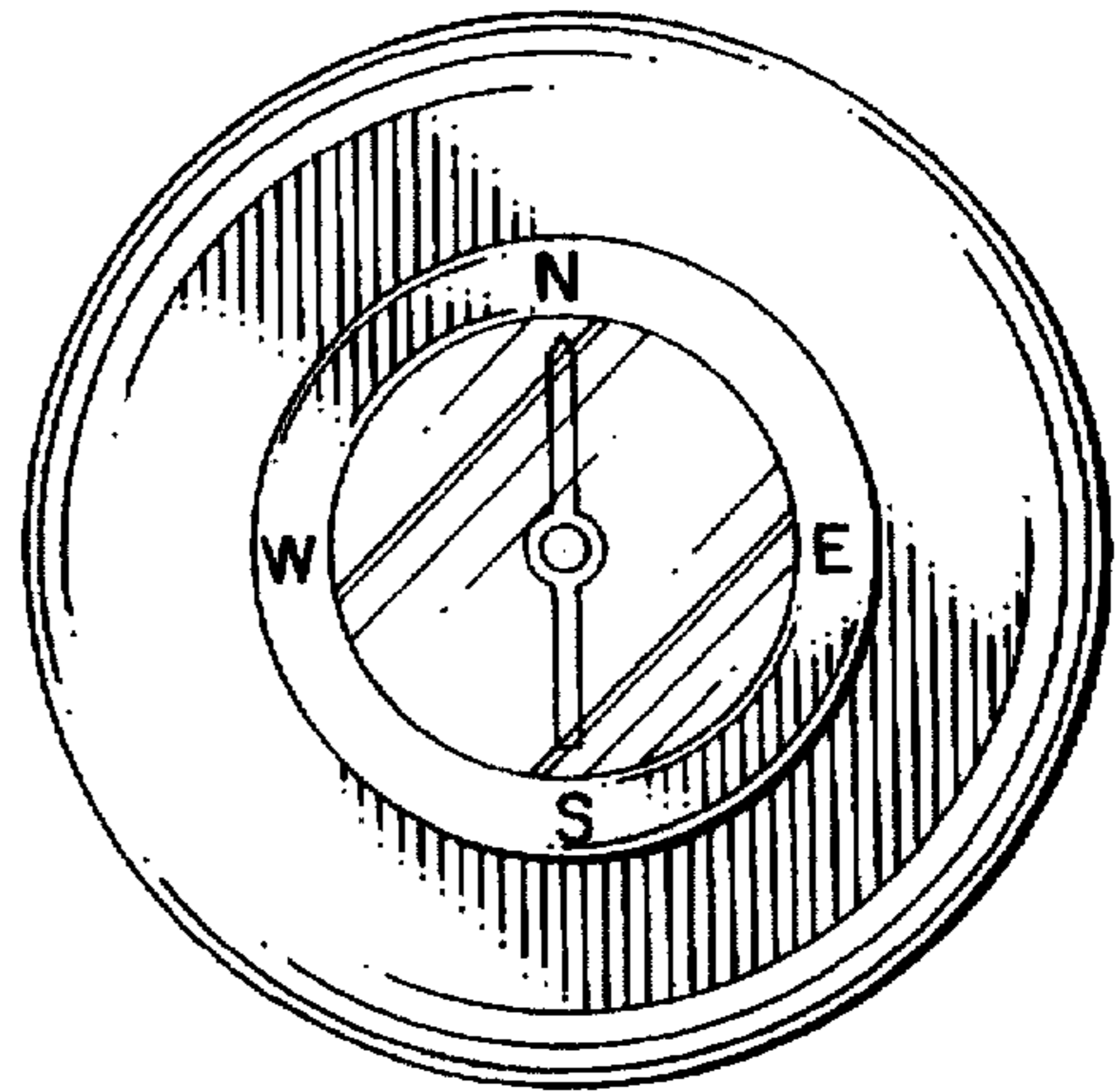


FIG. 3

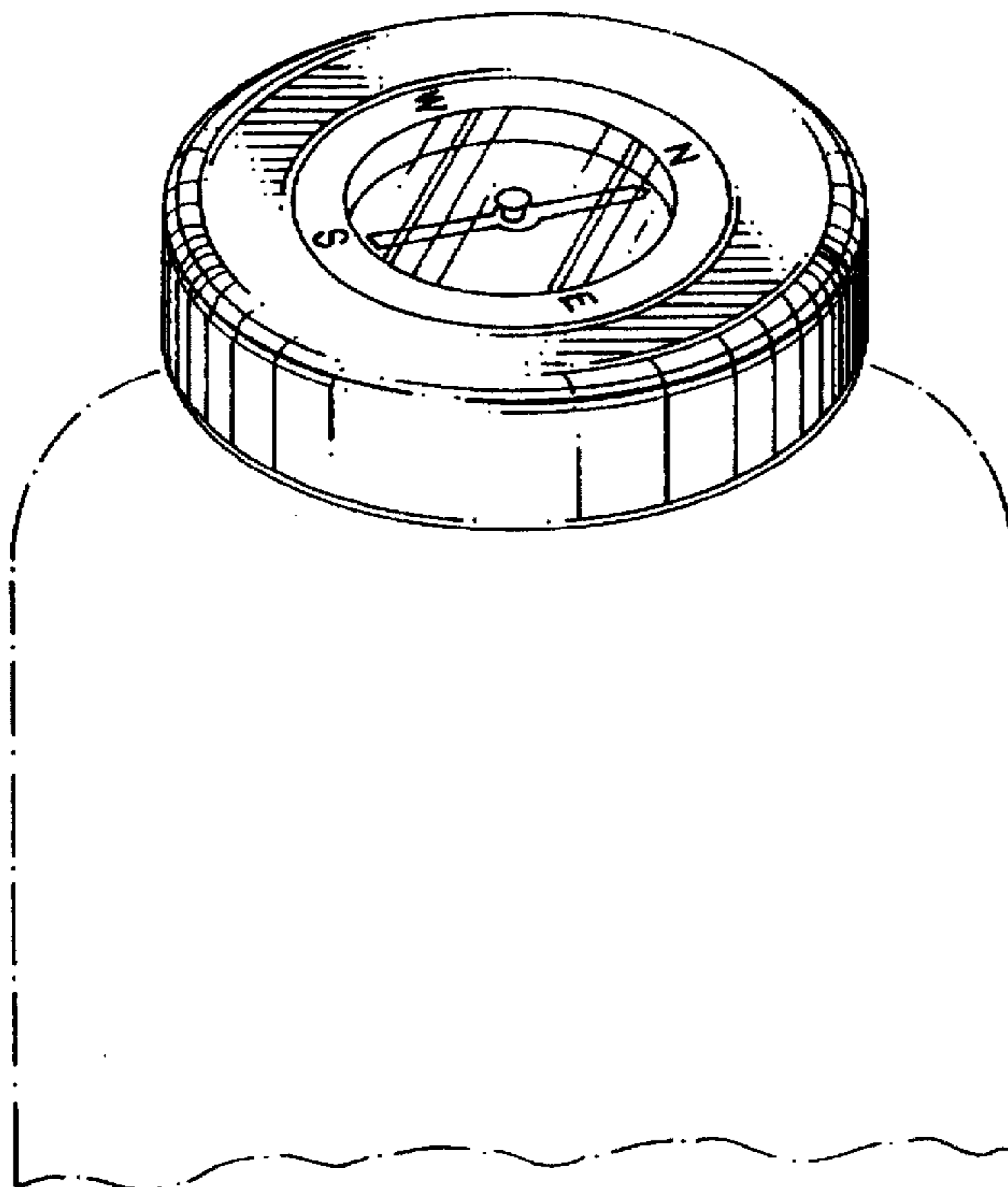


FIG. 4

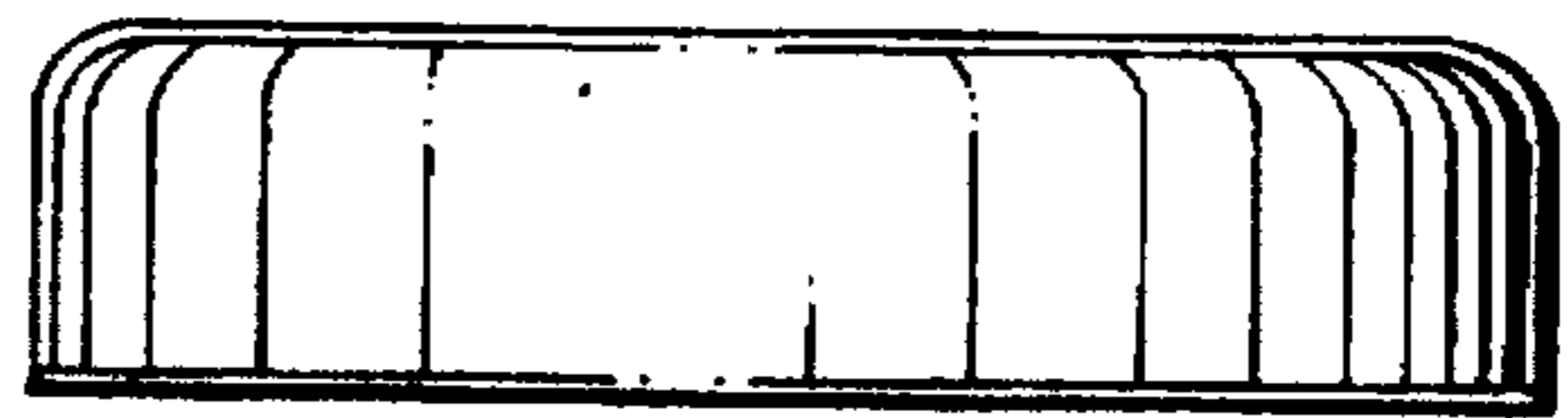


FIG. 5

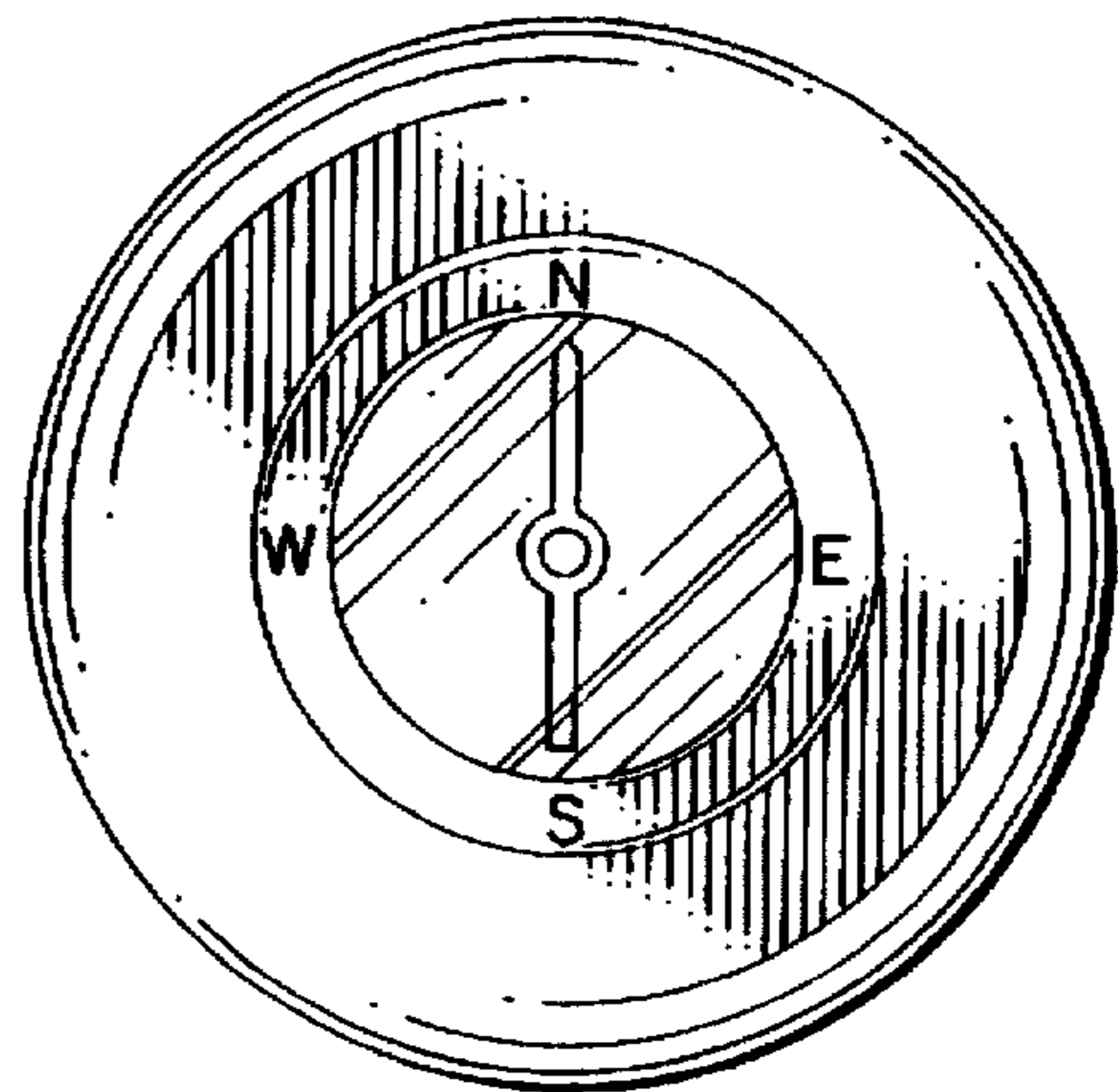


FIG. 6

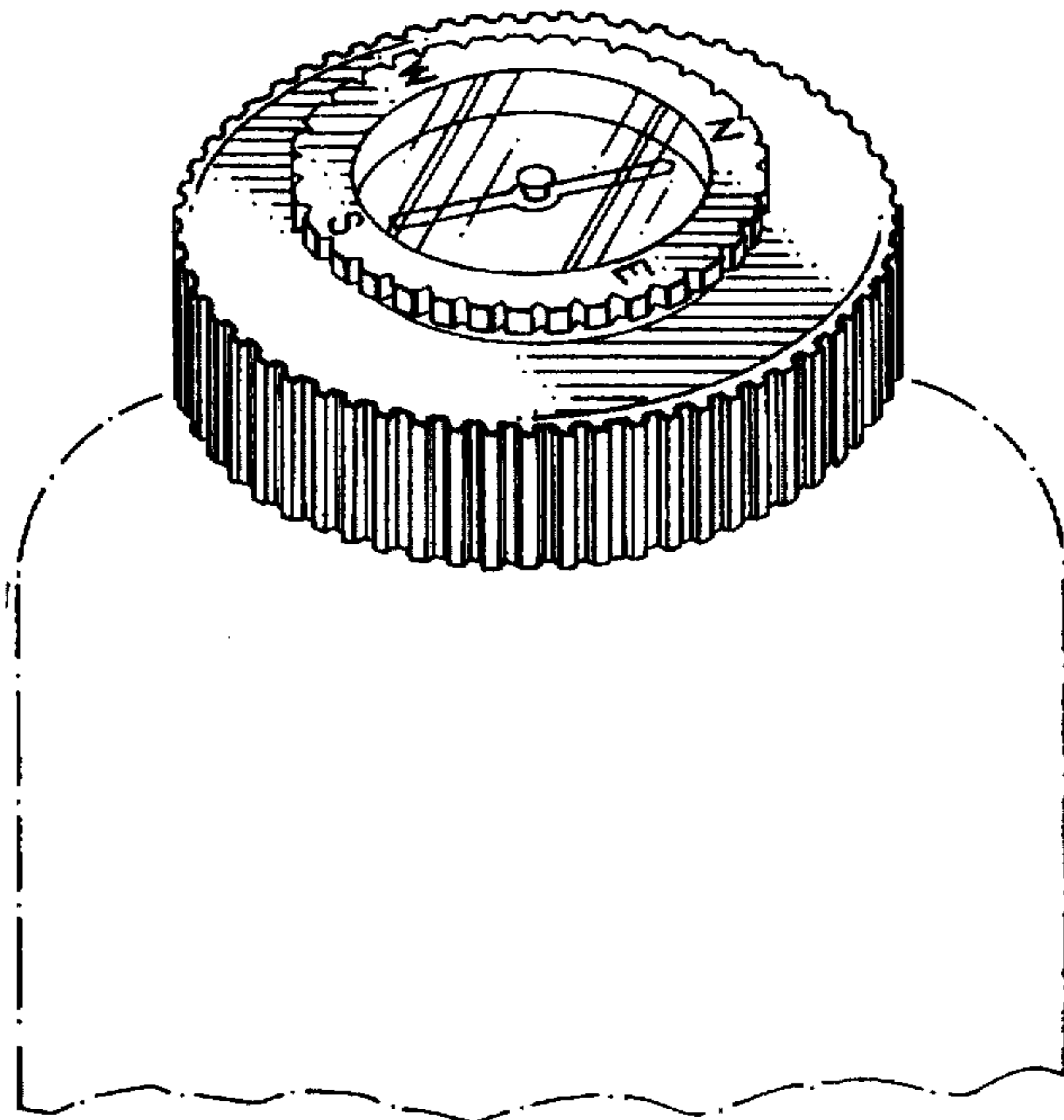


FIG. 7

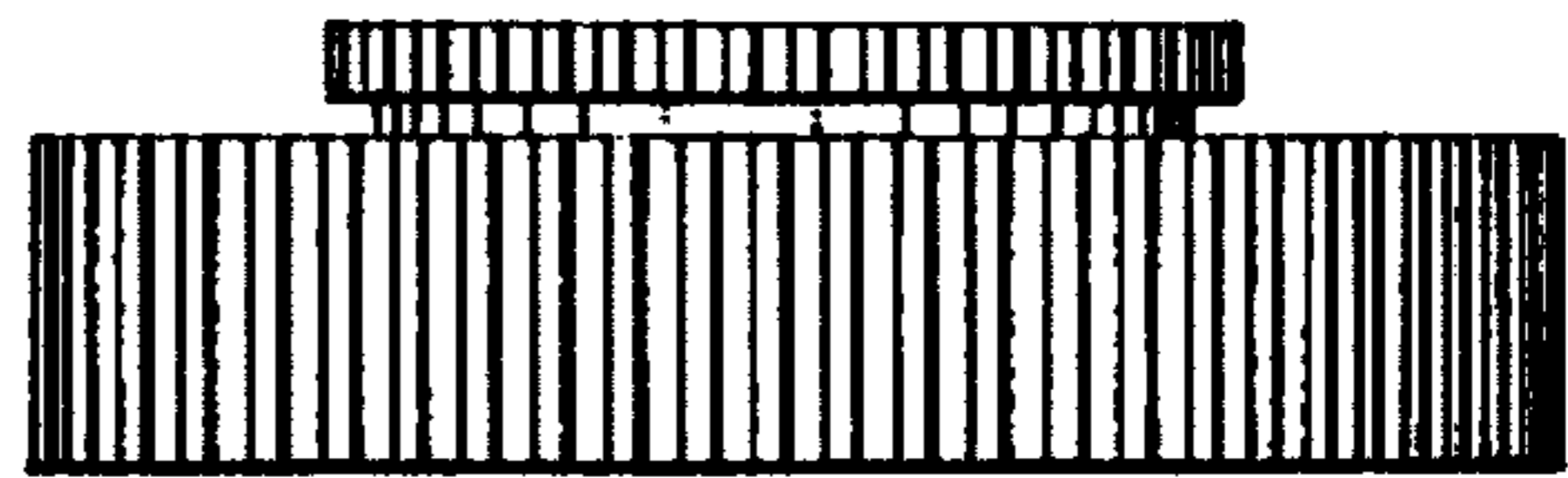


FIG. 9

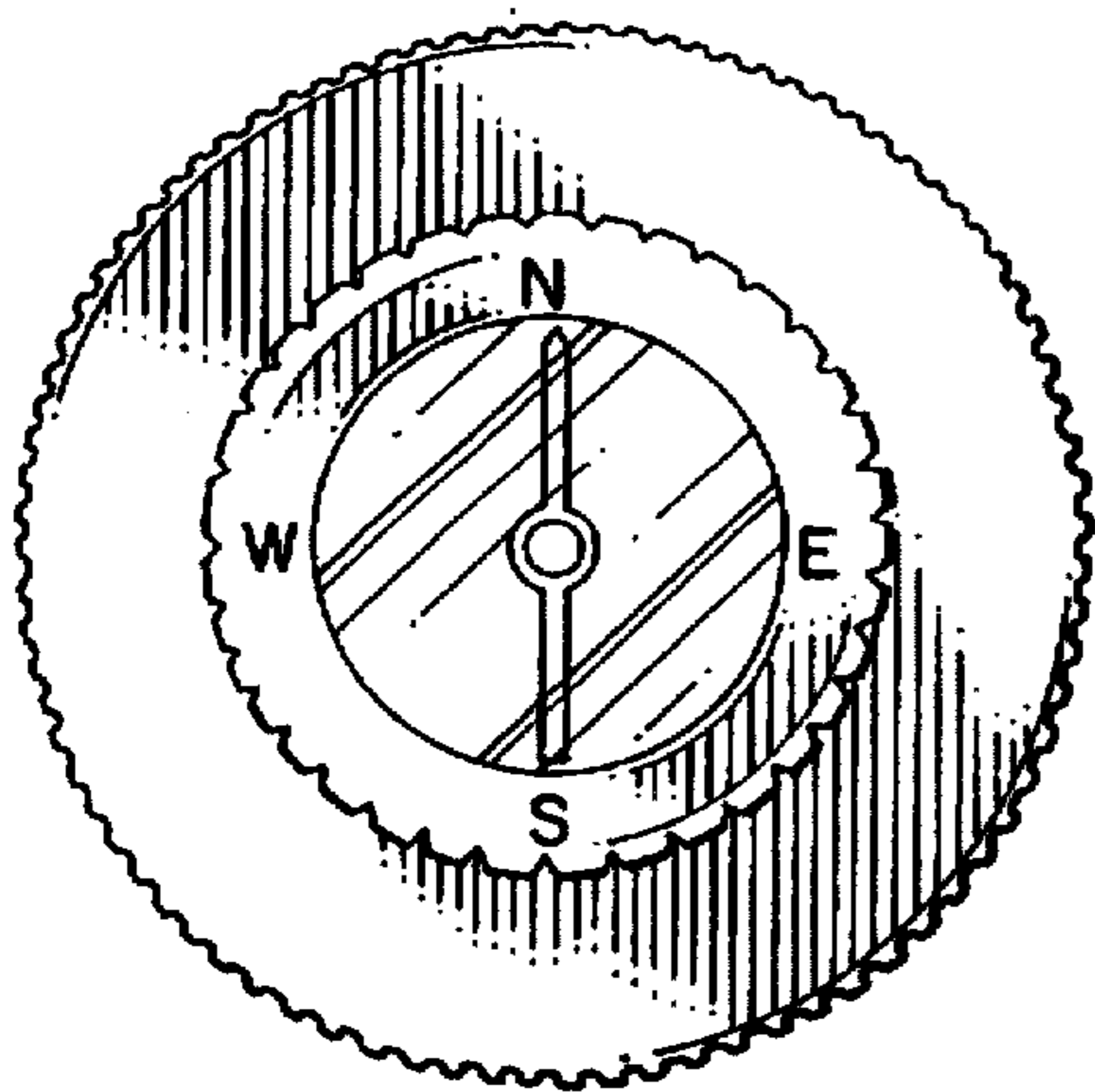


FIG. 8

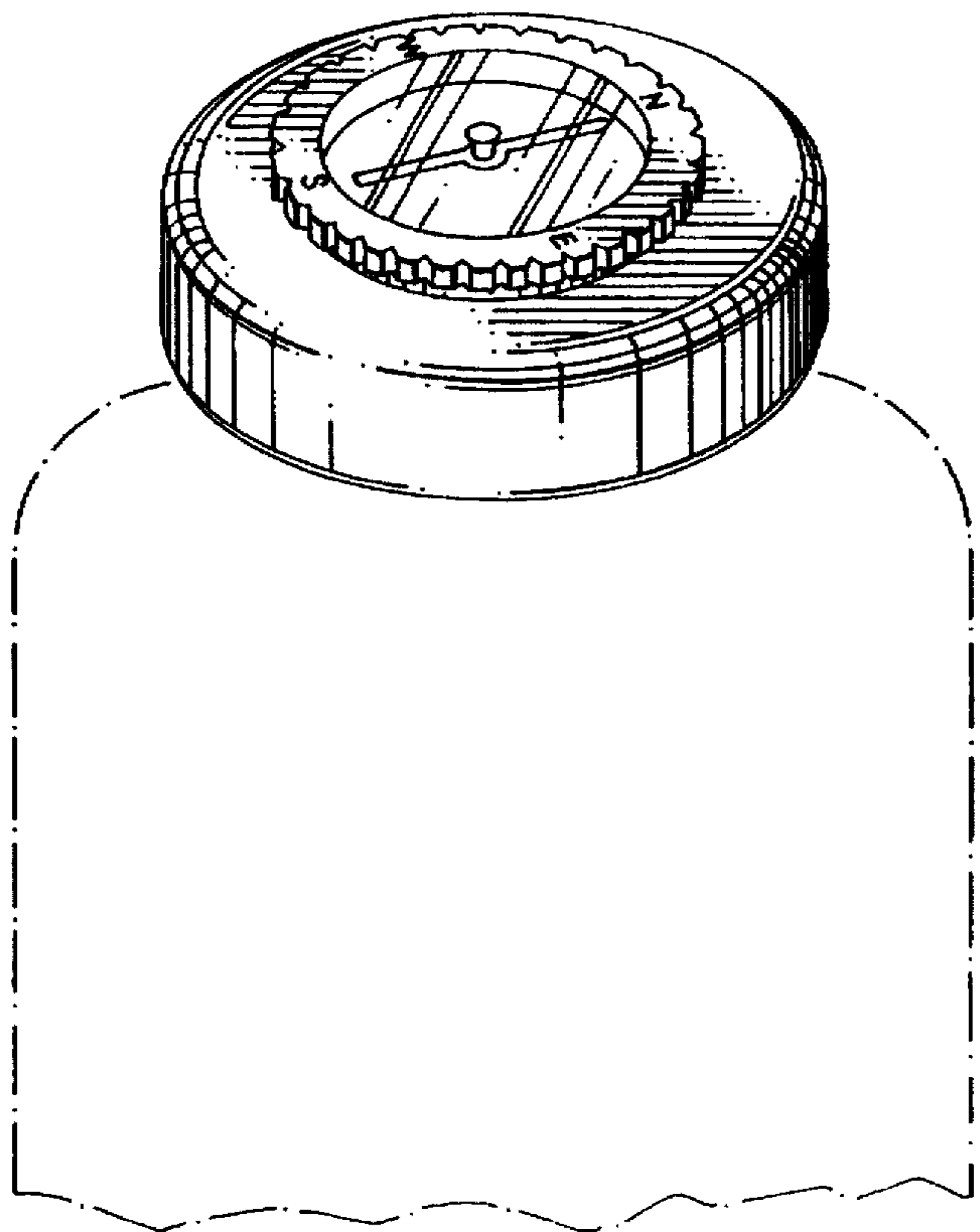
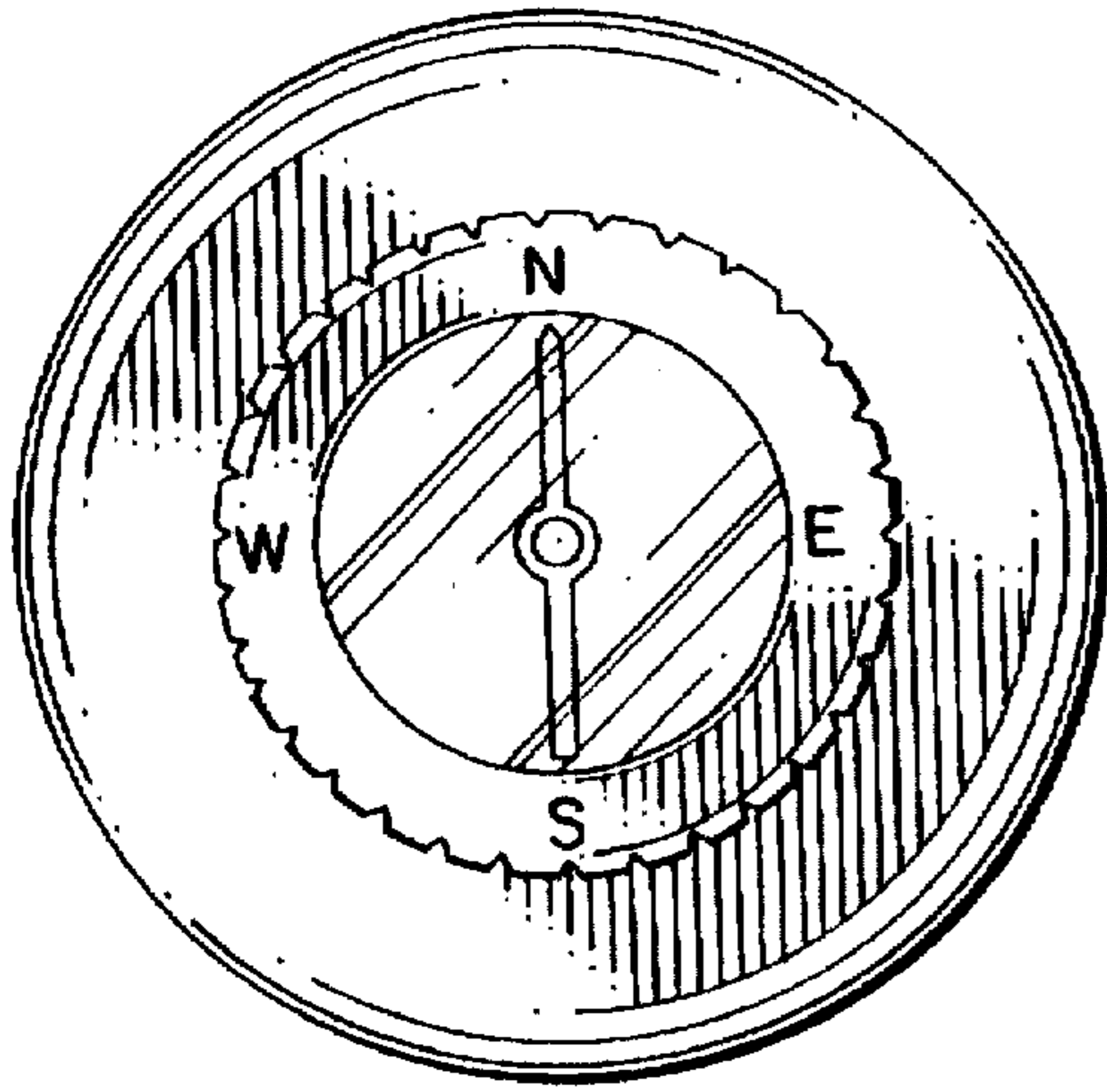
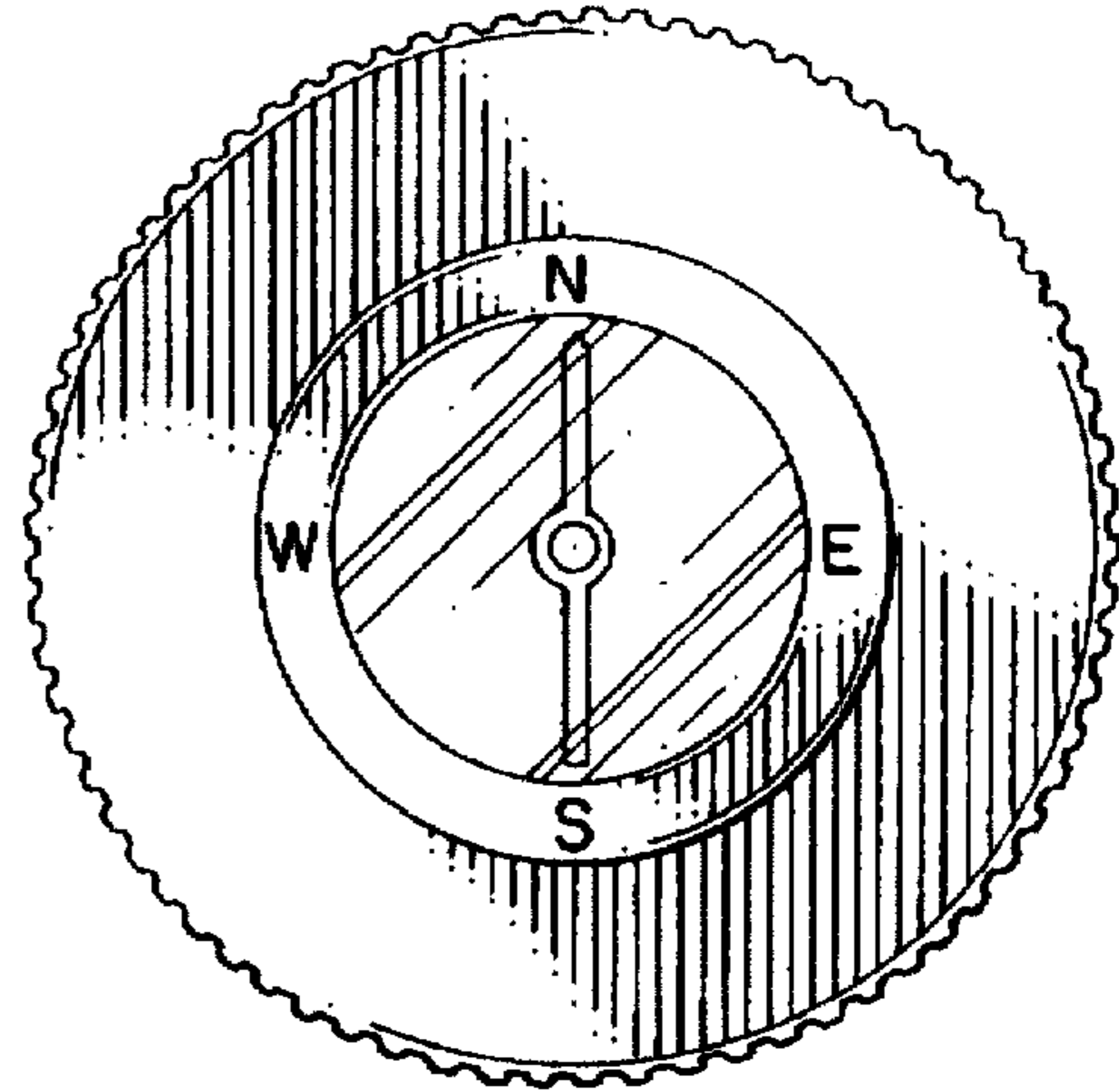


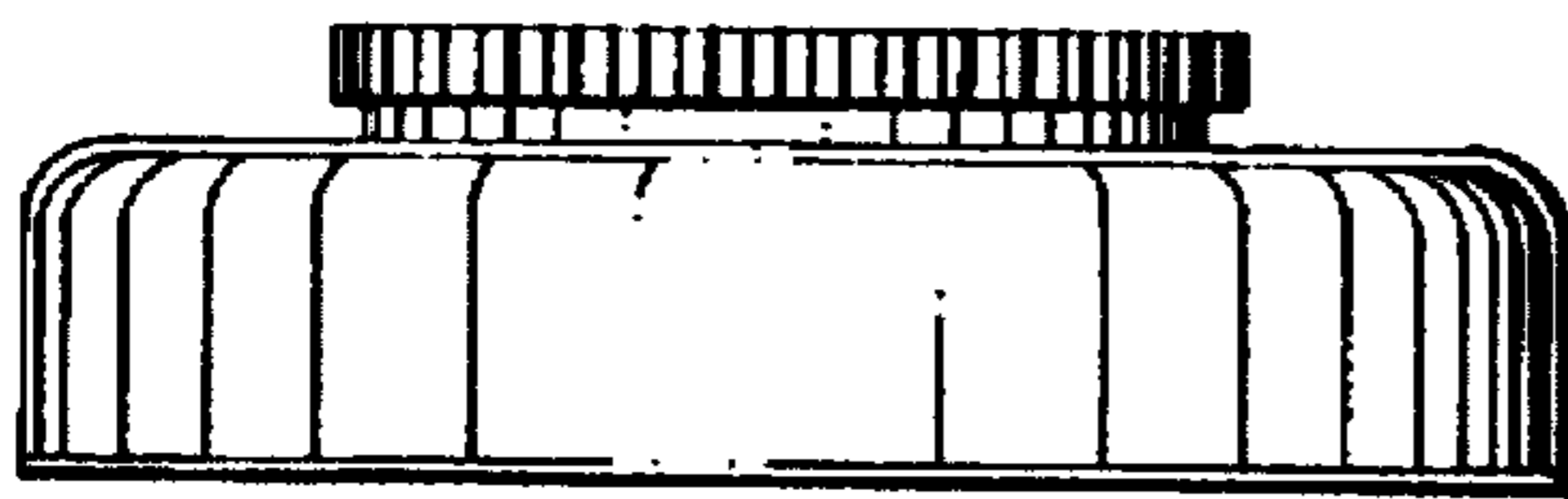
FIG. 10



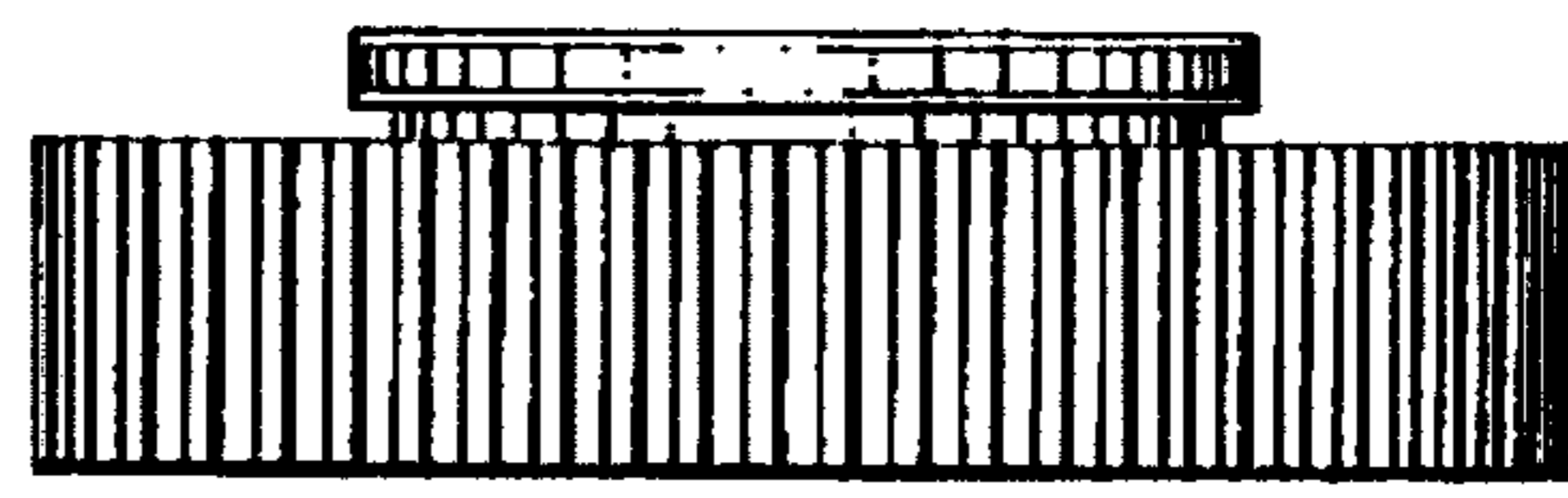
*FIG. 11*



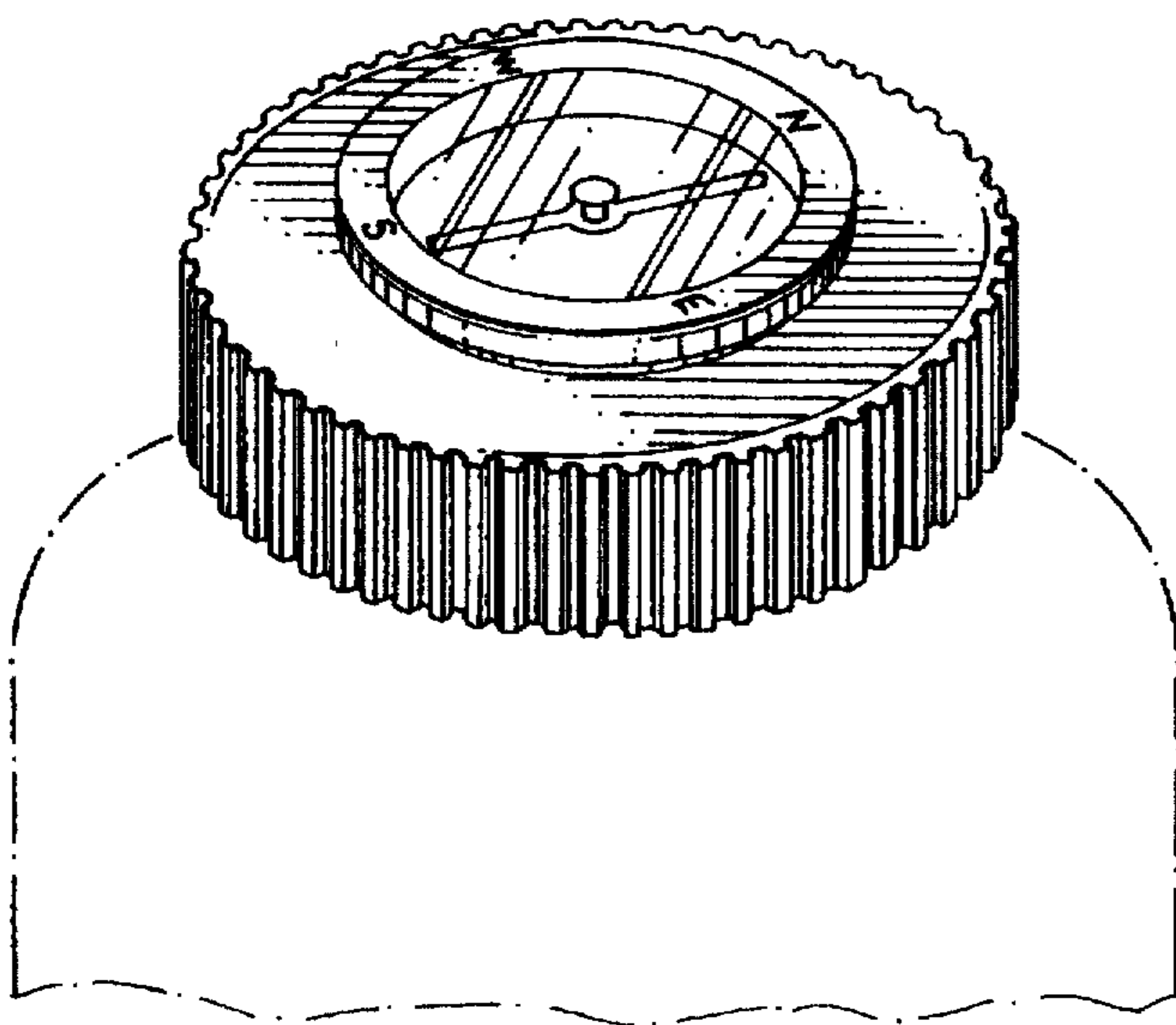
*FIG. 14*



*FIG. 12*



*FIG. 15*



*FIG. 13*