



US00D384885S

United States Patent [19]

Halsell, II

[11] Patent Number: Des. 384,885

[45] Date of Patent: **Oct. 14, 1997

[54] OCTAGONAL SHIPPING CONTAINER

[75] Inventor: H. Lee Halsell, II, Mountainburg, Ark.

[73] Assignee: The Mead Corporation, Dayton, Ohio

[**] Term: 14 Years

[21] Appl. No.: 57,194

[22] Filed: Jul. 18, 1996

[51] LOC (6) Cl. 09-07

[52] U.S. Cl. D9/432; D9/433

[58] Field of Search D3/304-305, 307-309,
D3/314; D9/414, 415, 432, 433; 206/586;
224/906; 229/109, 179

[56] References Cited

U.S. PATENT DOCUMENTS

D. 361,892	9/1995	Quaintance	D3/305
2,347,422	4/1944	Loth	229/109
2,372,312	3/1945	Buttery	229/109
2,522,597	9/1950	Blandford	229/109 X
2,967,655	1/1961	Seger, Jr.	229/109
3,432,085	3/1969	Lock	229/179 X
3,533,547	10/1970	Houston	229/179 X
4,417,686	11/1983	Wozniacki	229/117.16

4,441,649	4/1984	Nederveld	229/109
4,614,298	9/1986	Cherry	229/109
4,676,429	6/1987	Crowe et al.	229/109
4,702,408	10/1987	Powlenko	229/101
5,419,486	5/1995	Bennett et al.	229/109
5,485,951	1/1996	Phillips	229/156

Primary Examiner—Ted Shooman
Assistant Examiner—Nanda Bondade
Attorney, Agent, or Firm—Michael V. Drew

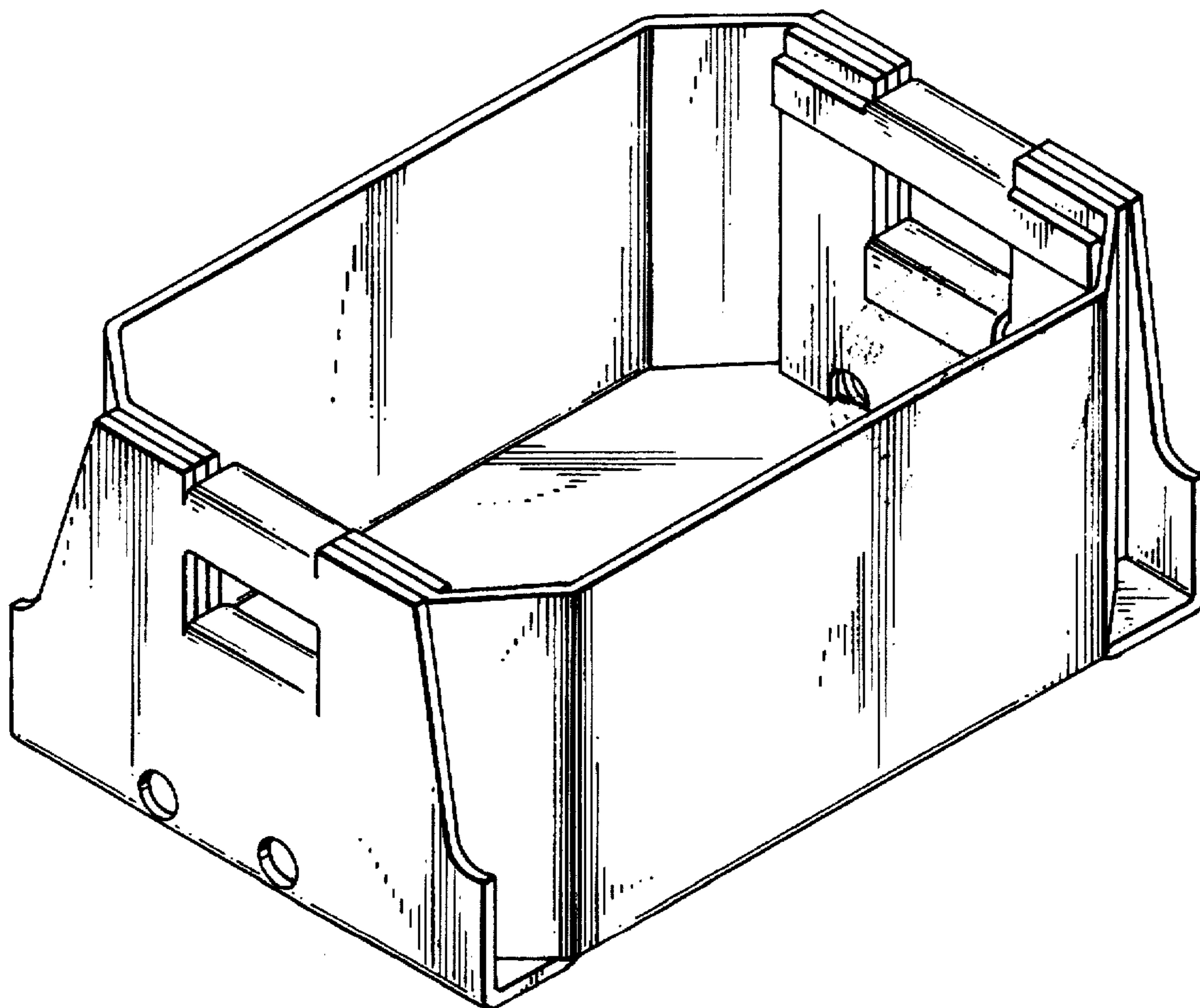
[57] CLAIM

The ornamental design for an octagonal shipping container, as shown and described.

DESCRIPTION

FIG. 1 is an isometric view of an octagonal shipping container showing my new design;
FIG. 2 is a top plan view thereof shown in an unfolded condition;
FIG. 3 is a top plan view of FIG. 1;
FIG. 4 is a front elevational view thereof, the rear having the same appearance;
FIG. 5 is a side elevational view thereof, both sides having the same appearance; and,
FIG. 6 is a bottom plan view thereof.

1 Claim, 3 Drawing Sheets



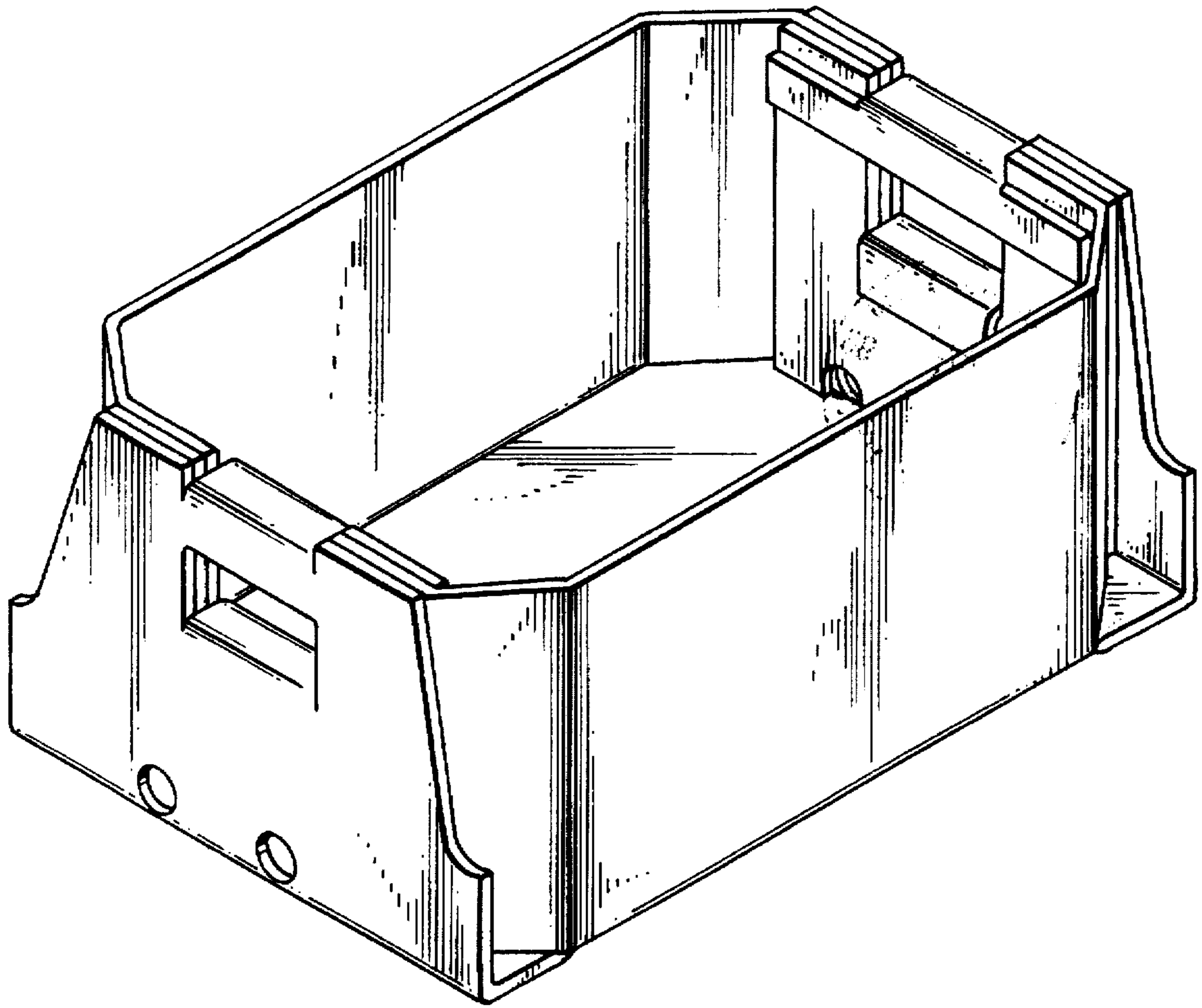


Fig. 1

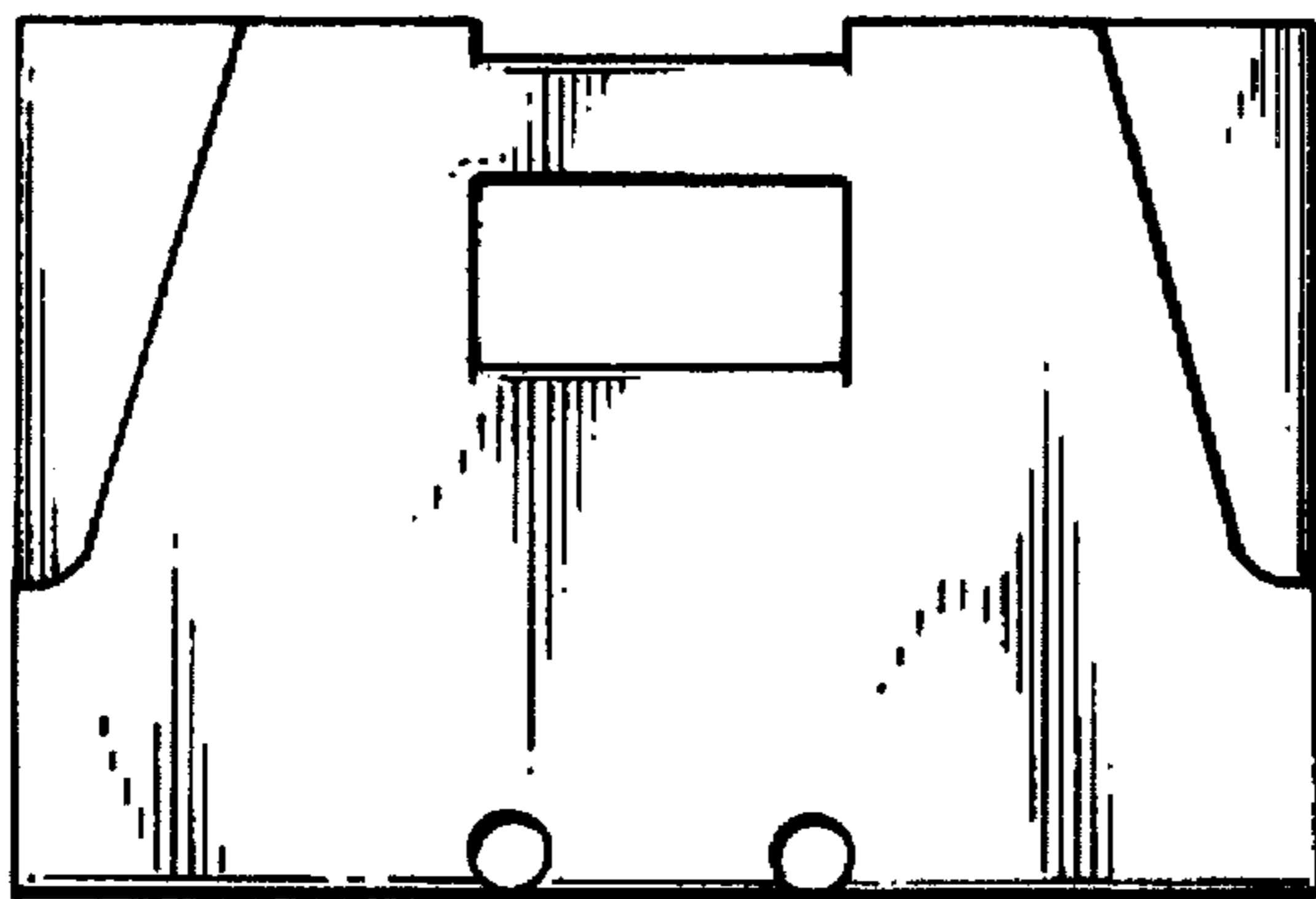


Fig. 5

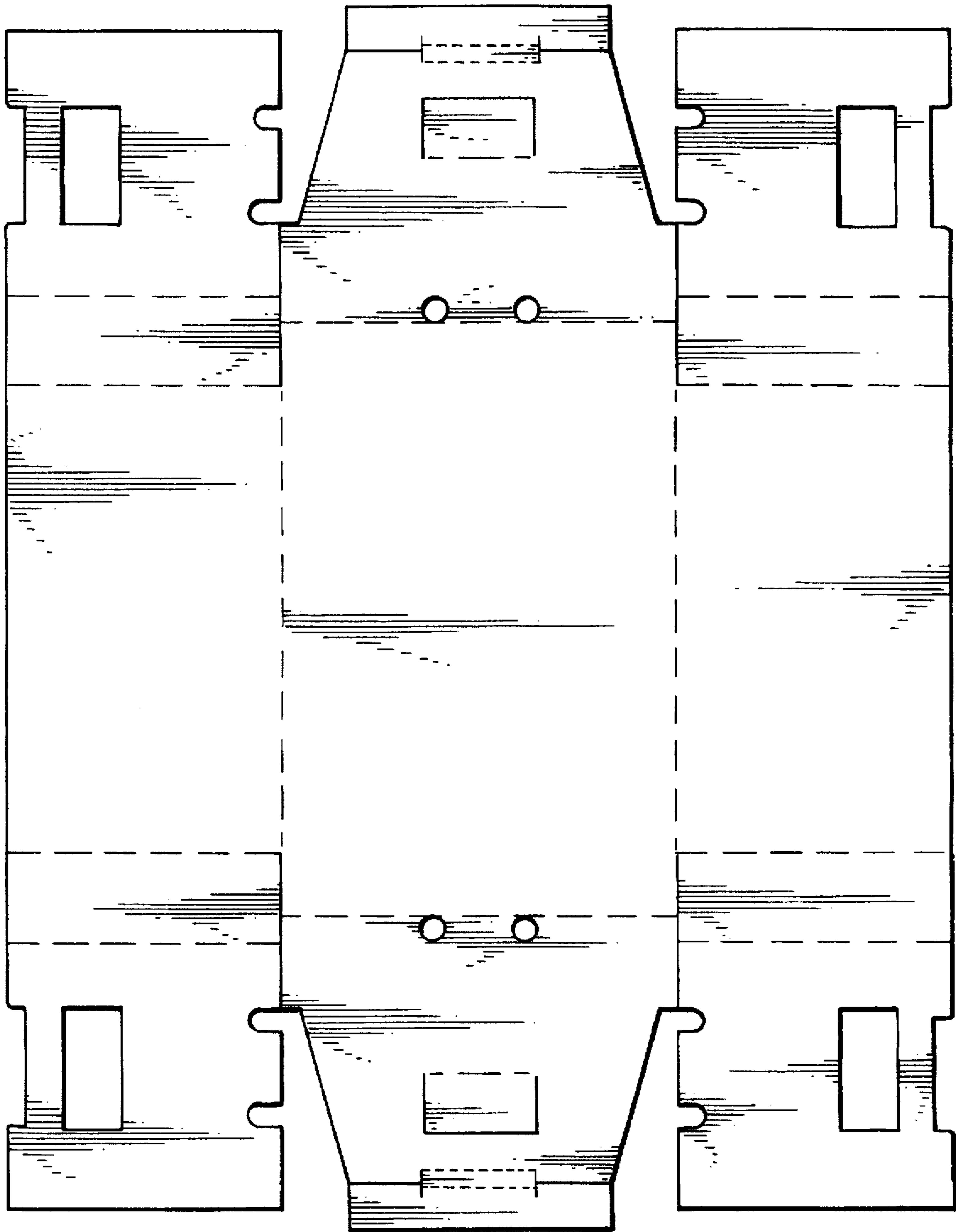


Fig. 2

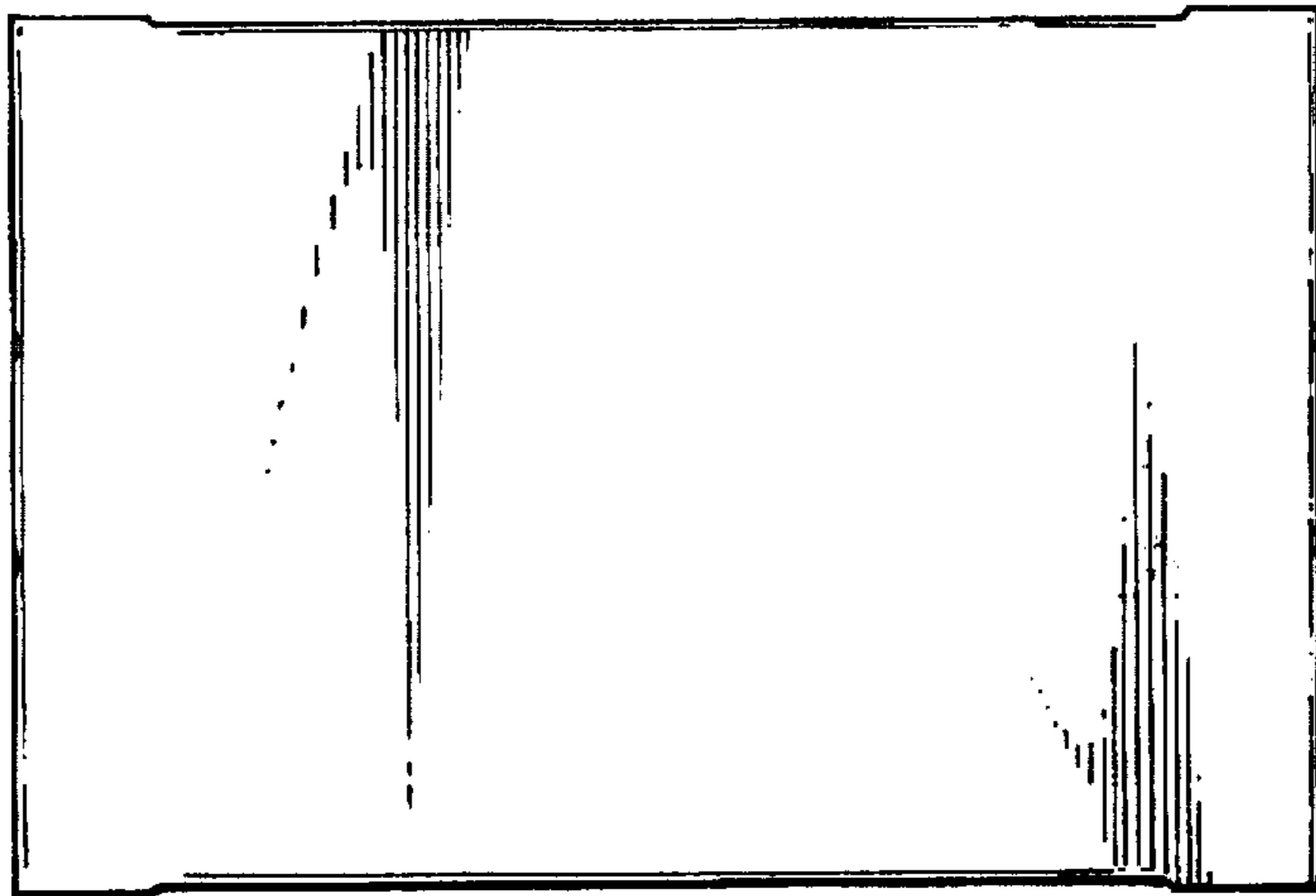


Fig. 6

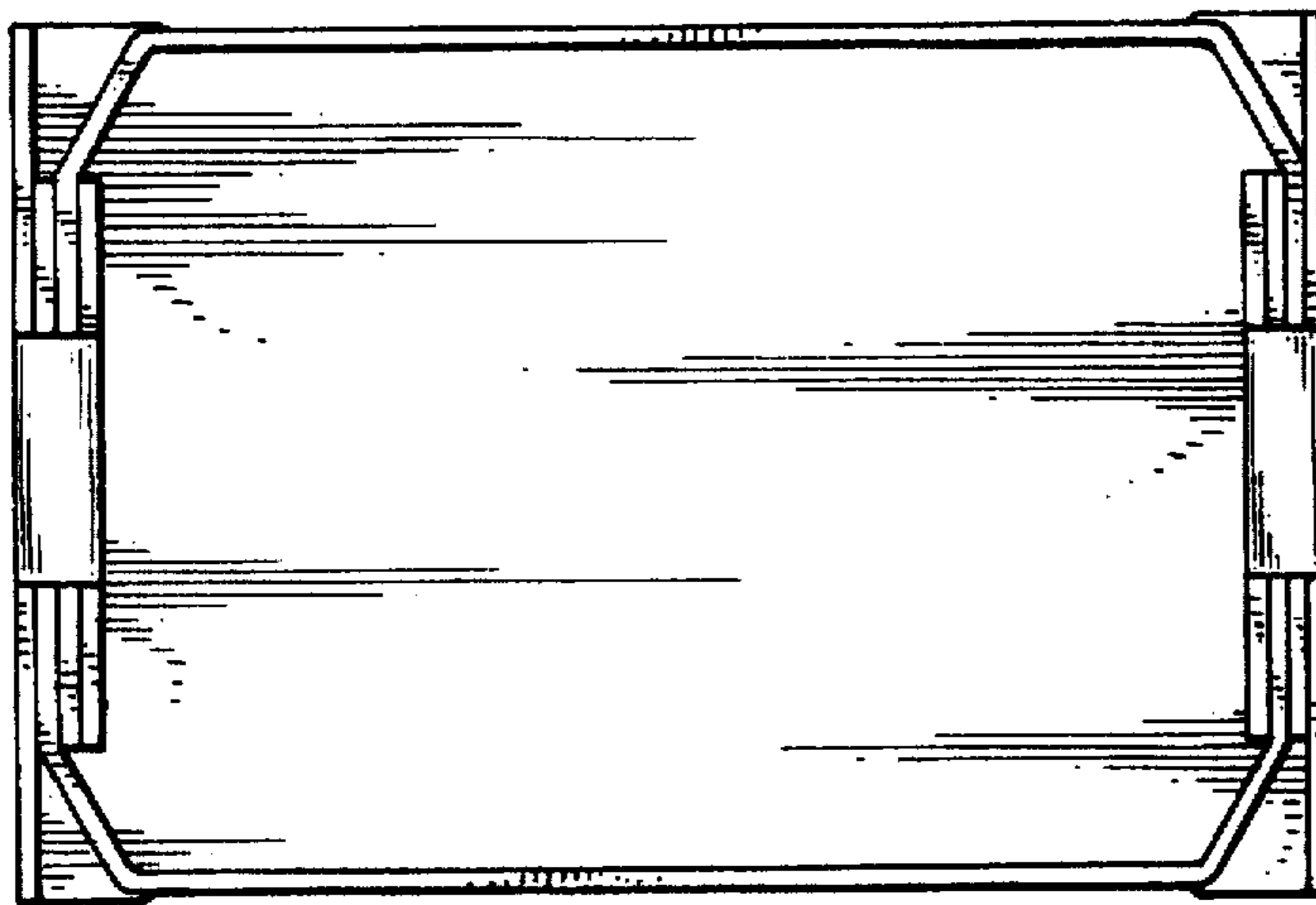


Fig. 3

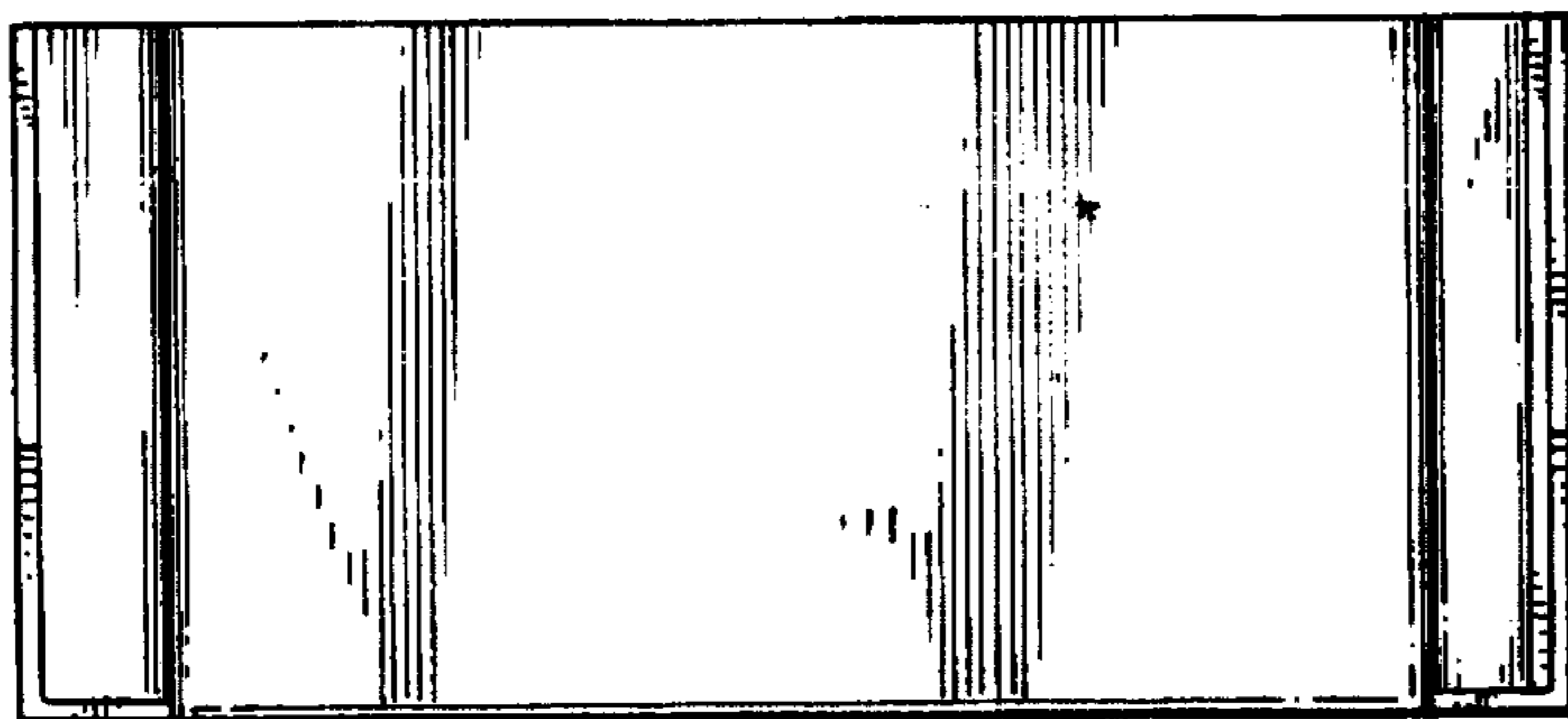


Fig. 4