



US00D384880S

United States Patent [19]

[11] Patent Number: **Des. 384,880**

Harvey et al.

[45] Date of Patent: ****Oct. 14, 1997**

[54] **SKYLIGHT OPERATOR**

[75] Inventors: **John Harvey**, Wellington, New Zealand; **Andrew George Fuge**, Cheltenham, England; **Jon Leonard Fifield**, Wainuiomata; **Philip James Walters**, Wellington, both of New Zealand

[73] Assignee: **Interlock Industries Limited**, Wellington, New Zealand

[**] Term: **14 Years**

[21] Appl. No.: **23,840**

[22] Filed: **Jun. 1, 1994**

[30] **Foreign Application Priority Data**

Dec. 3, 1993 [NZ] New Zealand 25613

[51] LOC (6) Cl. **08-07**

[52] U.S. Cl. **D8/400**

[58] Field of Search D8/309, 400, 499;
49/324, 325, 339, 341, 342

[56] **References Cited**

U.S. PATENT DOCUMENTS

D. 182,080 2/1958 Morgan D8/400

D. 198,202	5/1964	Morgan	D8/400
2,899,195	8/1959	Ahlgren	49/324
3,103,351	9/1963	Ahlgren	49/339 X
3,638,358	2/1972	Mason	49/325
4,521,993	6/1985	Tacheny et al.	49/325
4,756,206	7/1988	Kao	49/341 X
5,406,750	4/1995	Lindgren	49/325

Primary Examiner—Ted Shooman

Assistant Examiner—C. Tuttle

Attorney, Agent, or Firm—Blakely Sokoloff Taylor & Zafman

[57] **CLAIM**

The ornamental design for a skylight operator, as shown and described.

DESCRIPTION

FIG. 1 is a perspective view of a skylight operator showing our new design;

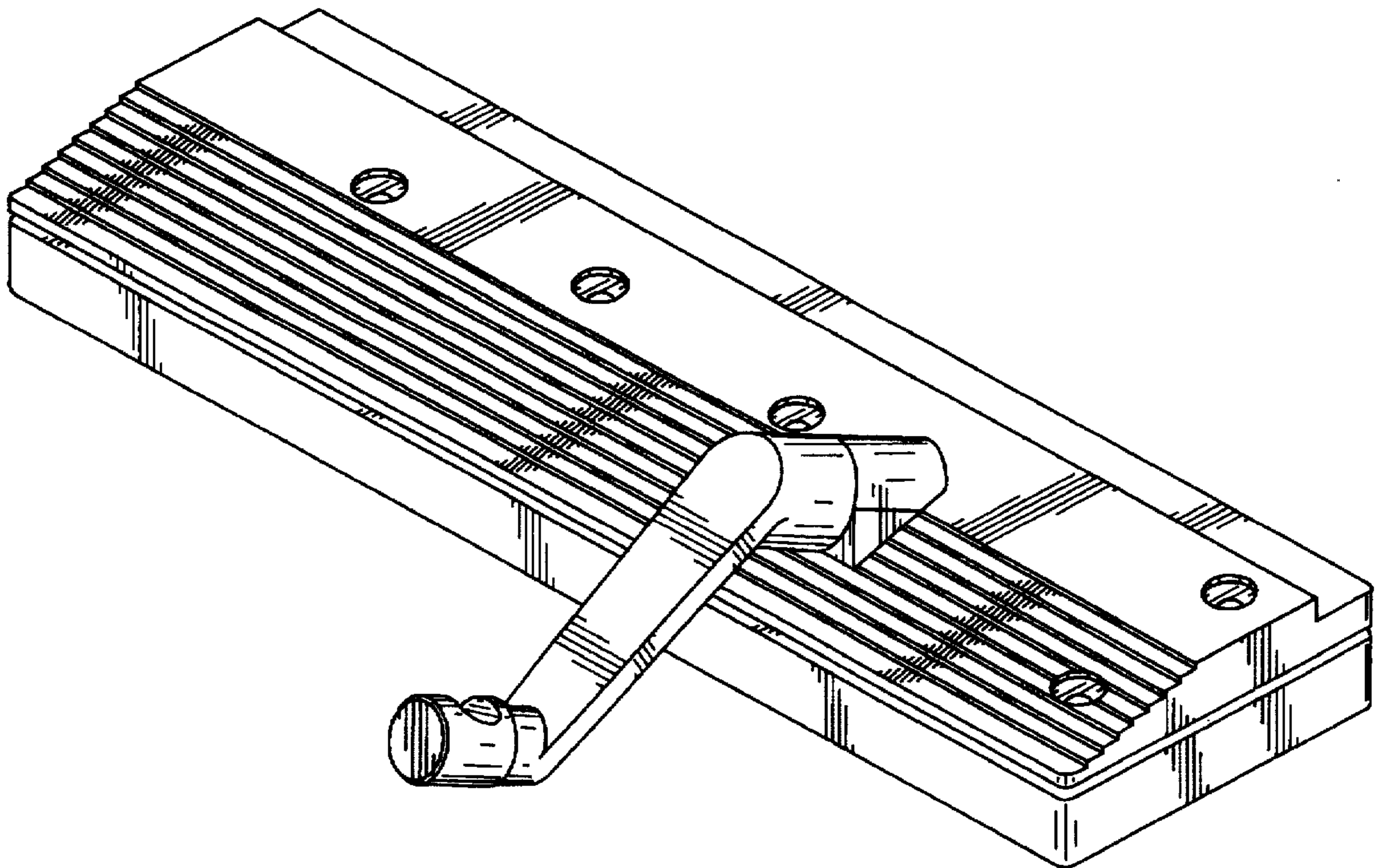
FIG. 2 is a right side elevational view thereof, the side opposite being a mirror image of the side shown;

FIG. 3 is a front elevational view thereof;

FIG. 4 is a top plan view thereof; and,

FIG. 5 is a bottom view of the crank handle portion, shown fragmentarily for ease of illustration.

1 Claim, 3 Drawing Sheets



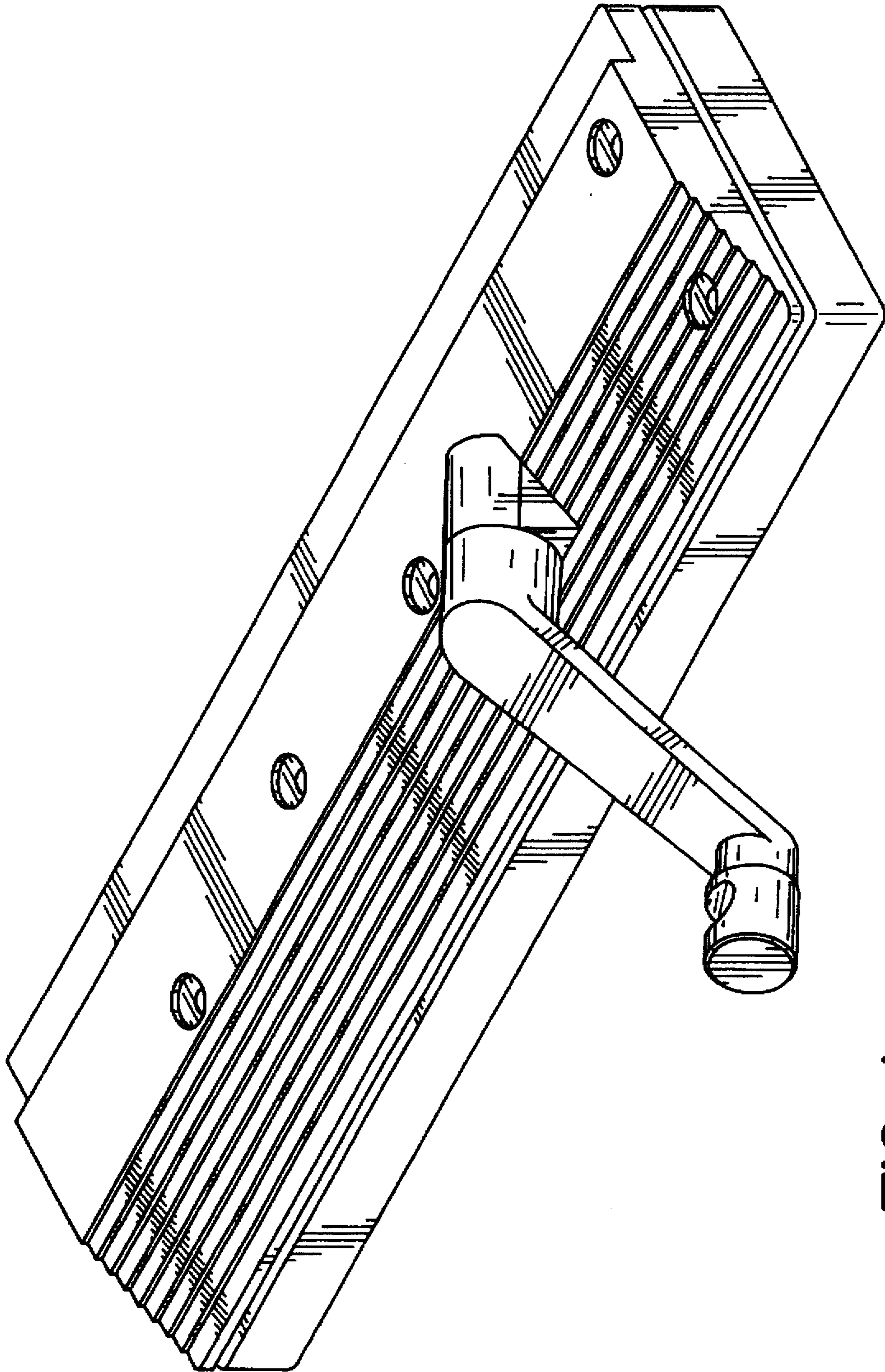


FIG. 1

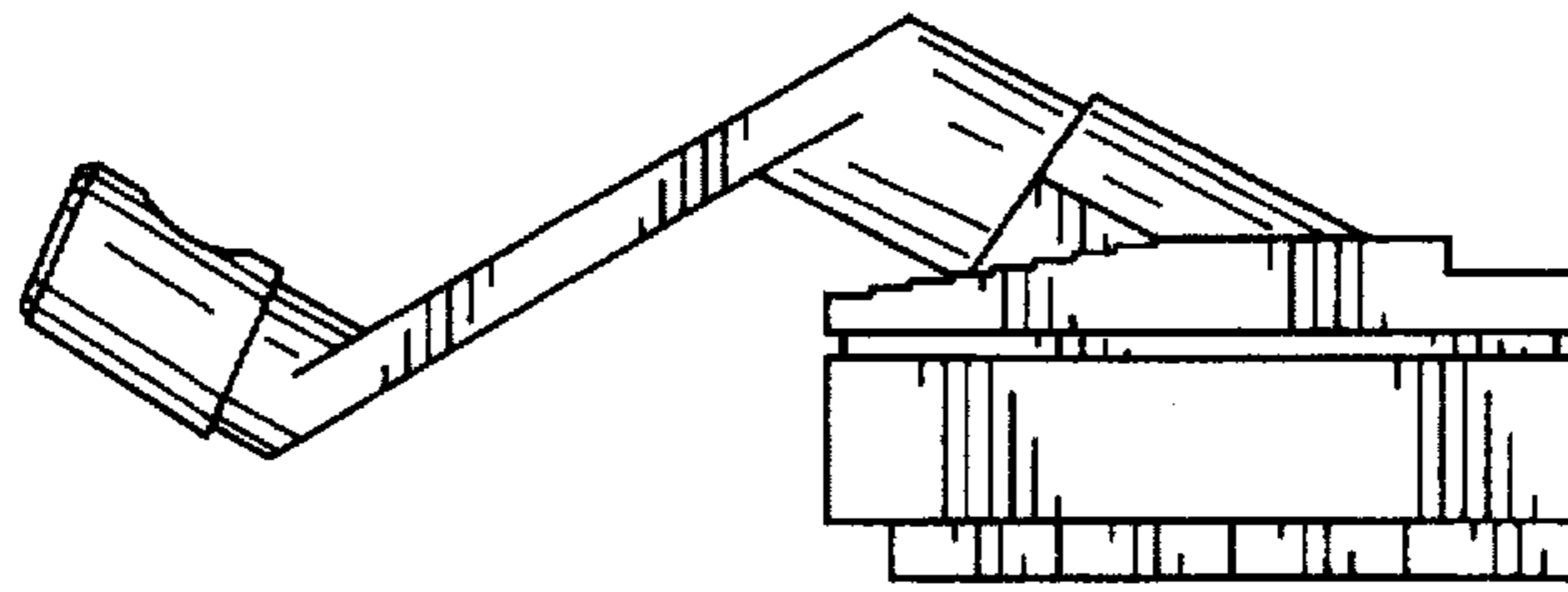


FIG. 2

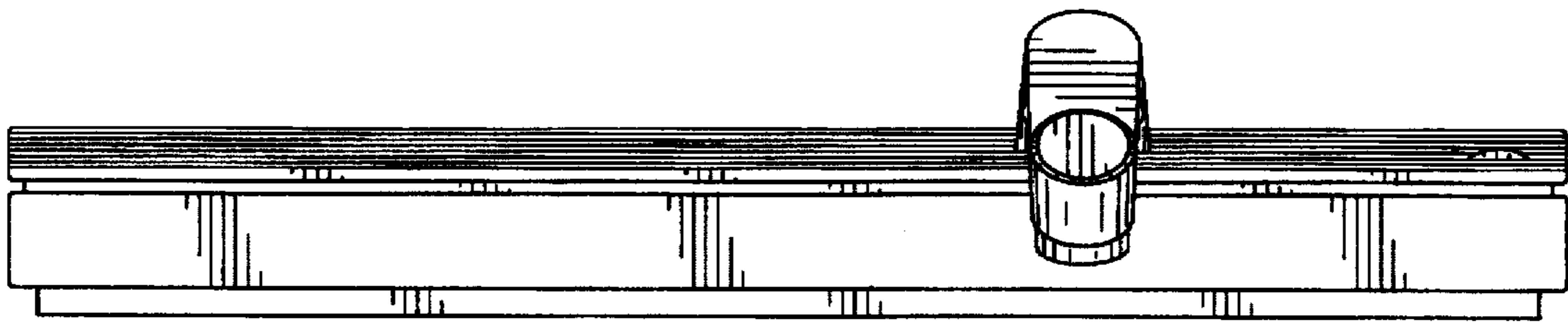


FIG. 3

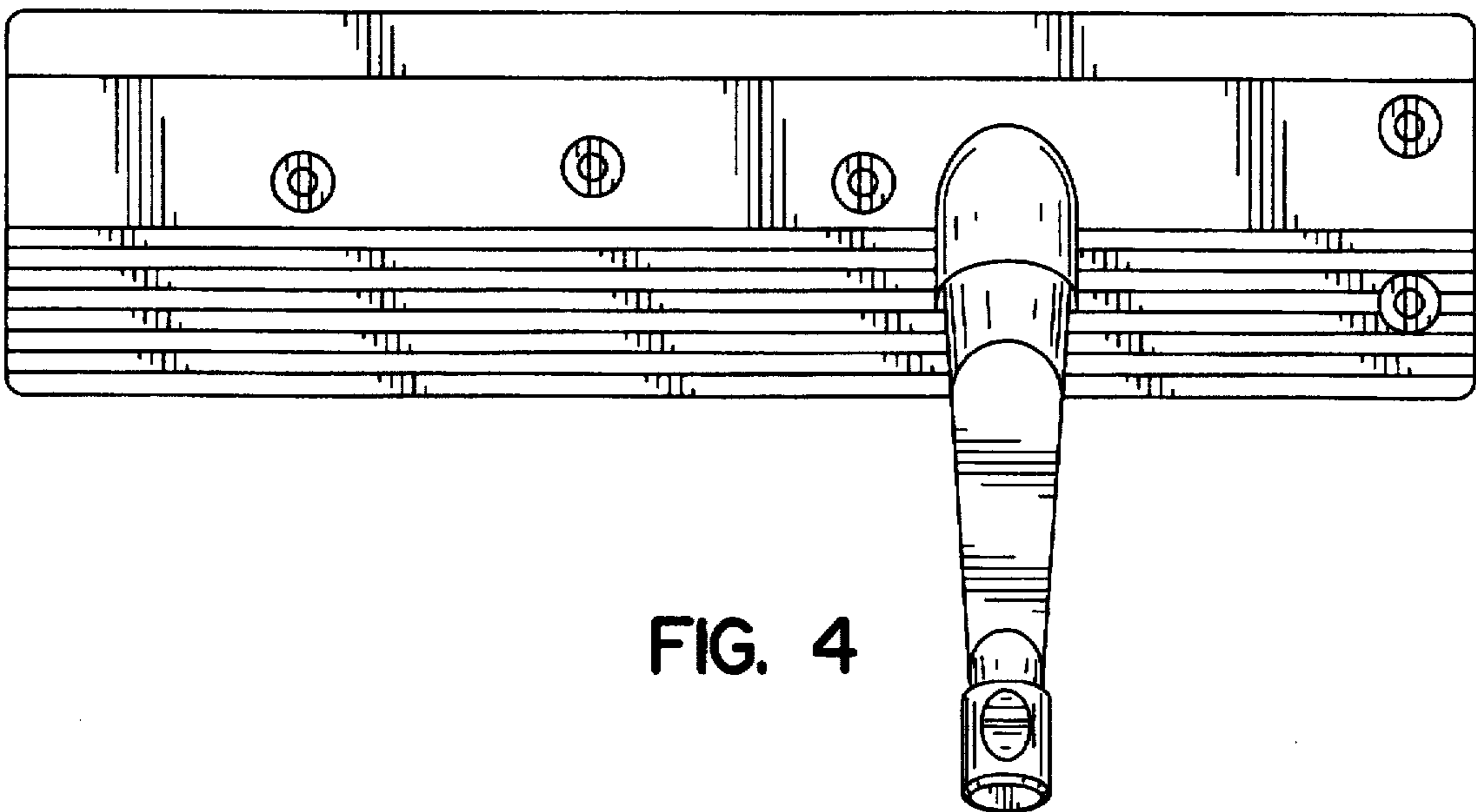


FIG. 4

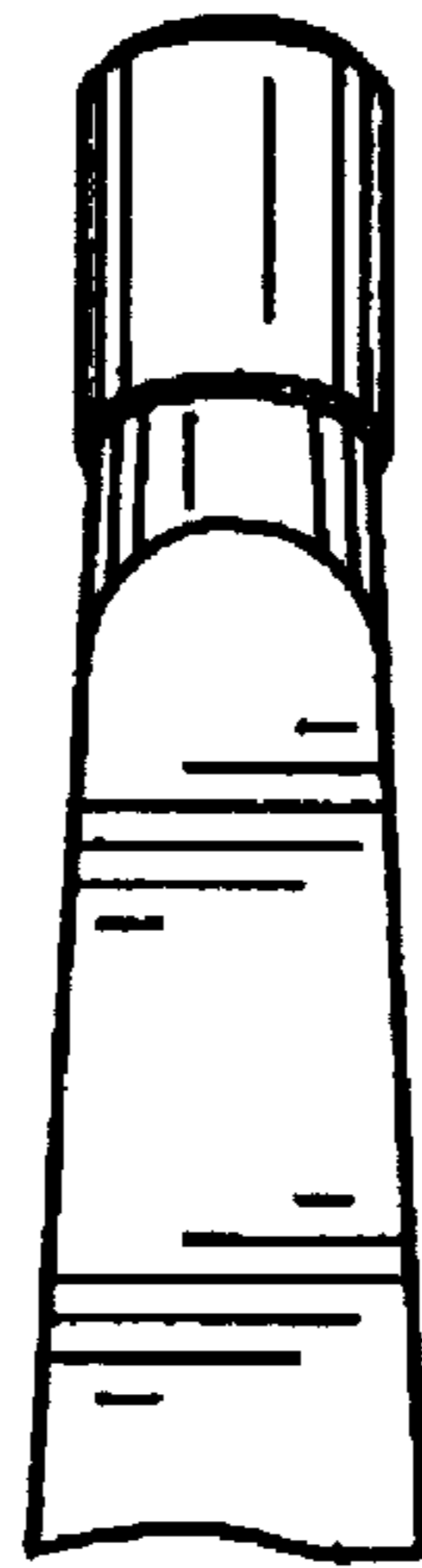


FIG. 5