

US00D384879S

United States Patent [19]

[11] Patent Number: **Des. 384,879**

Carlson

[45] Date of Patent: ****Oct. 14, 1997**

[54] **POST SUPPORTED BRACKET FOR A RURAL TYPE MAILBOX**

3,555,750 1/1971 Banse 248/300 X
5,423,504 6/1995 Shenkar 248/311.2 X

[76] Inventor: **Ronald G. Carlson**, 301 SE. 54, Oklahoma City, Okla. 73129

Primary Examiner—Holly Baynham
Attorney, Agent, or Firm—Robert K. Rhea

[**] Term: **14 Years**

[57] **CLAIM**

[21] Appl. No.: **54,310**

The ornamental design for a post supported bracket for a rural type mailbox, as shown and described.

[22] Filed: **May 9, 1996**

DESCRIPTION

[51] LOC (6) Cl. **08-05**

FIG. 1 is a perspective view of a post supported bracket for a rural type mailbox showing my new design;

[52] U.S. Cl. **D8/381**

FIG. 2 is a side elevational view thereof, the view from the opposite side being a mirror image;

[58] Field of Search D8/349, 354, 380-381; 248/300, 235, 237, 243, 247; D6/567, 572

FIG. 3 is a top view thereof;

FIG. 4 is a left side elevational view thereof;

FIG. 5 is a right side elevational view thereof; and,

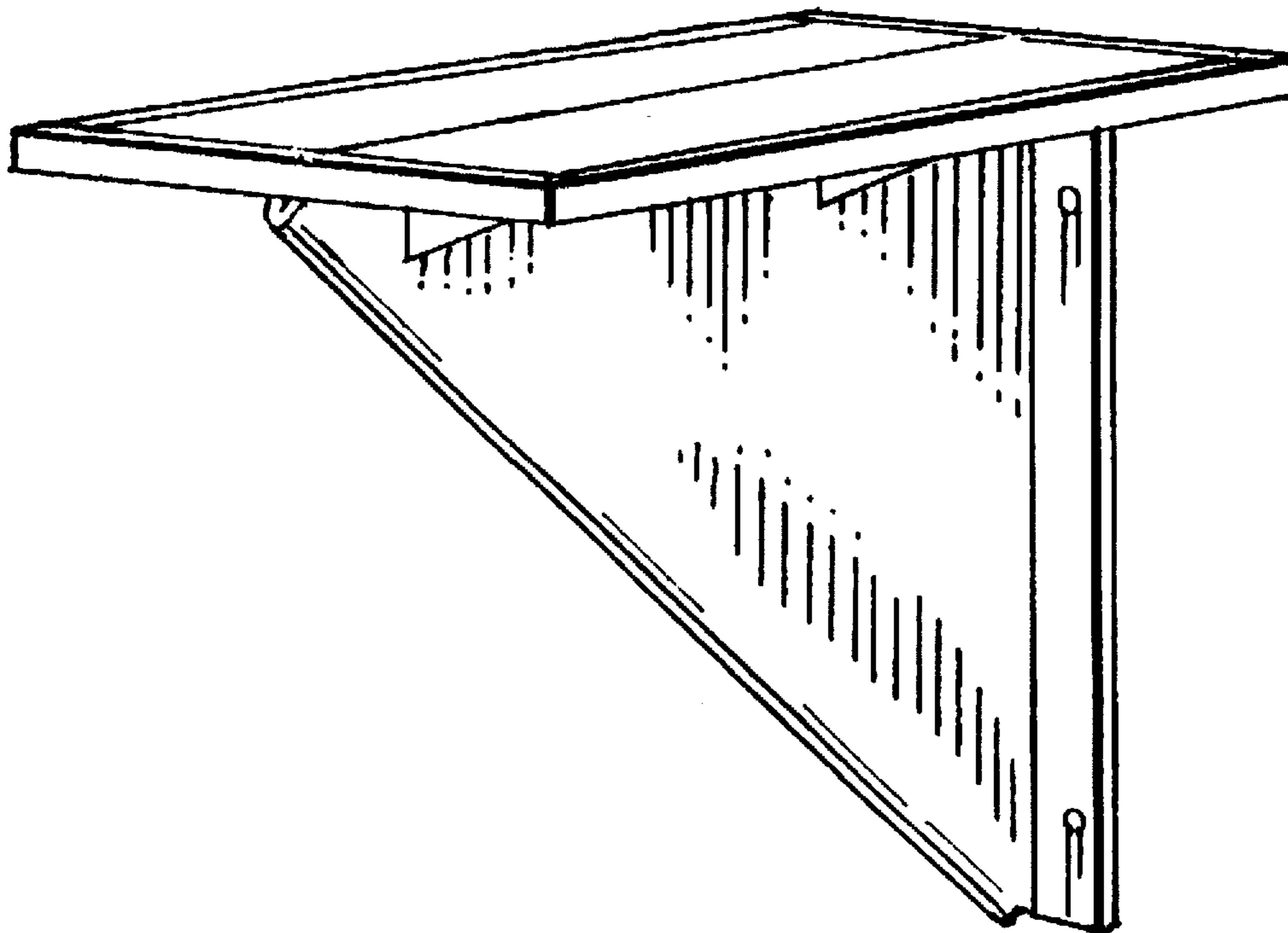
FIG. 6 is a bottom view thereof.

[56] **References Cited**

U.S. PATENT DOCUMENTS

- D. 285,528 9/1986 Hout D8/349 X
- D. 310,165 8/1990 Cobb D8/381

1 Claim, 1 Drawing Sheet



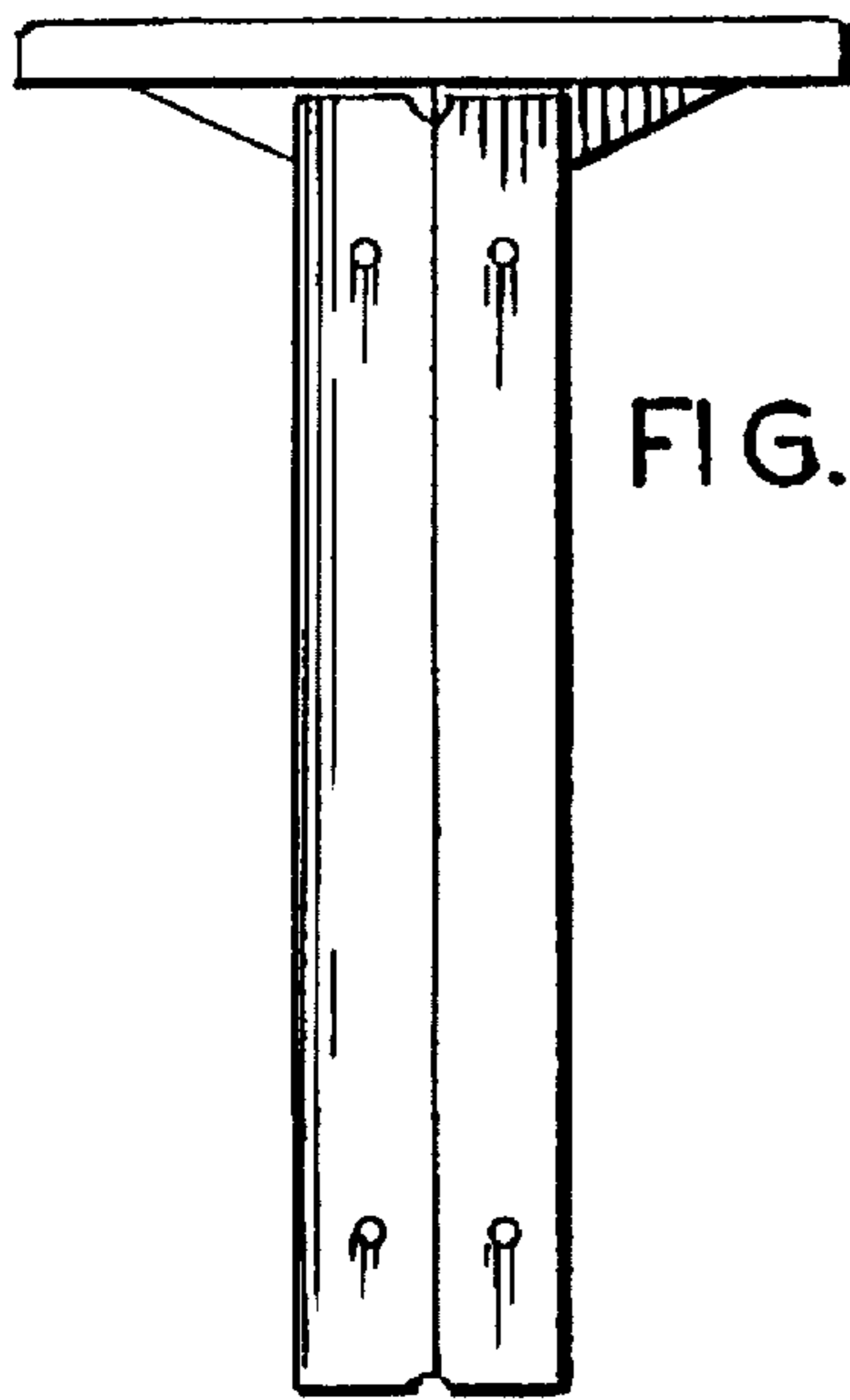


FIG. 4

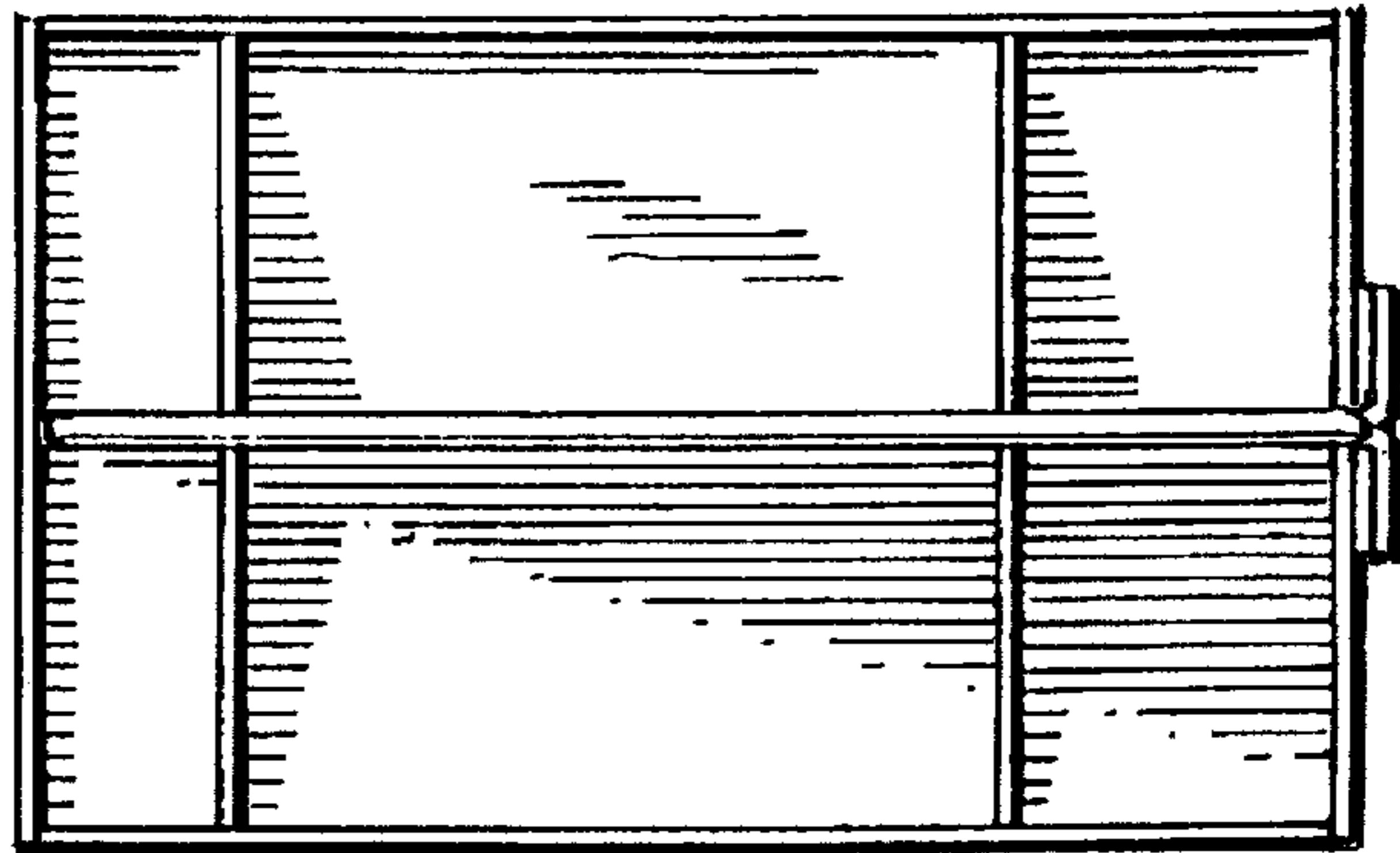


FIG. 6

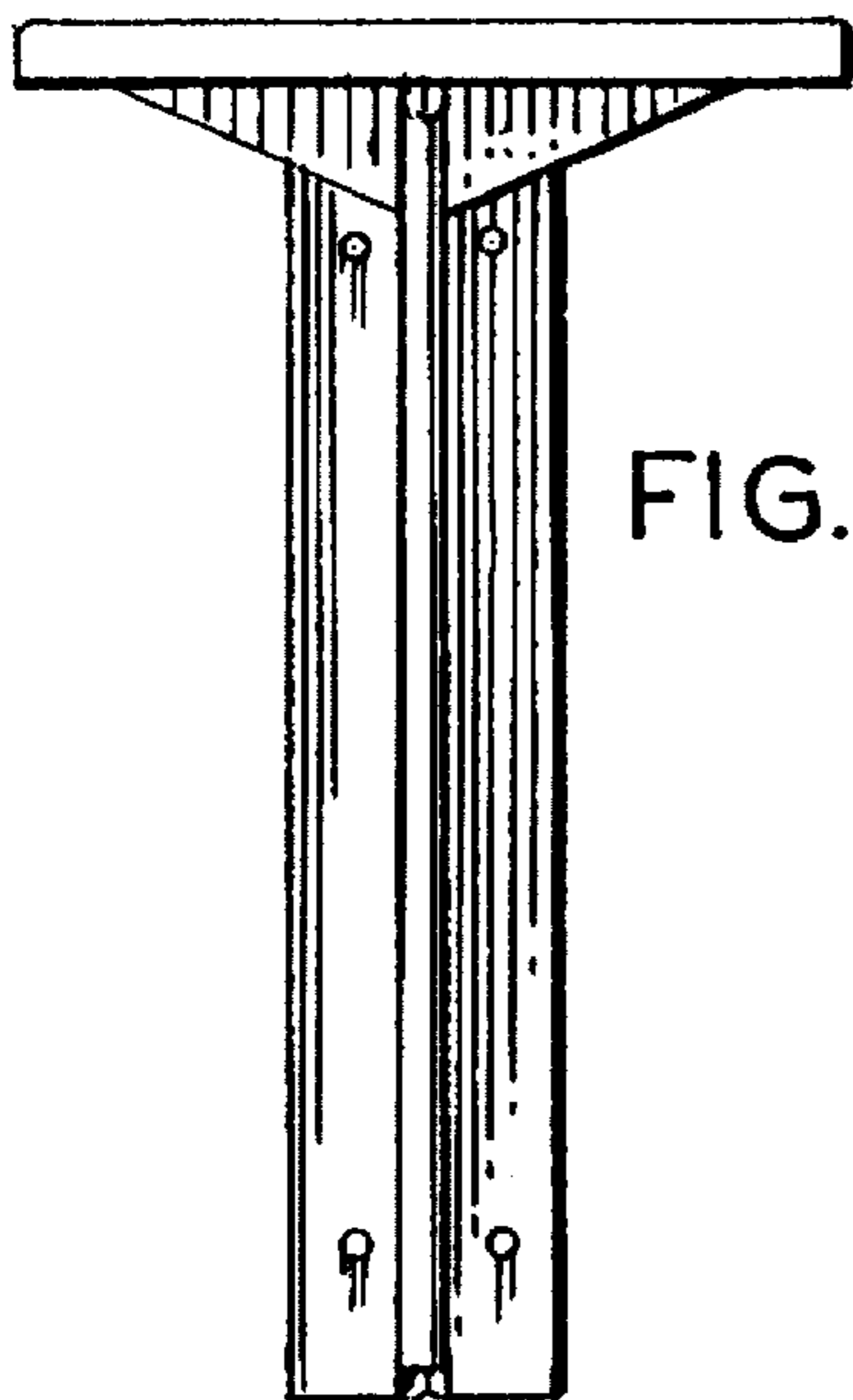


FIG. 5

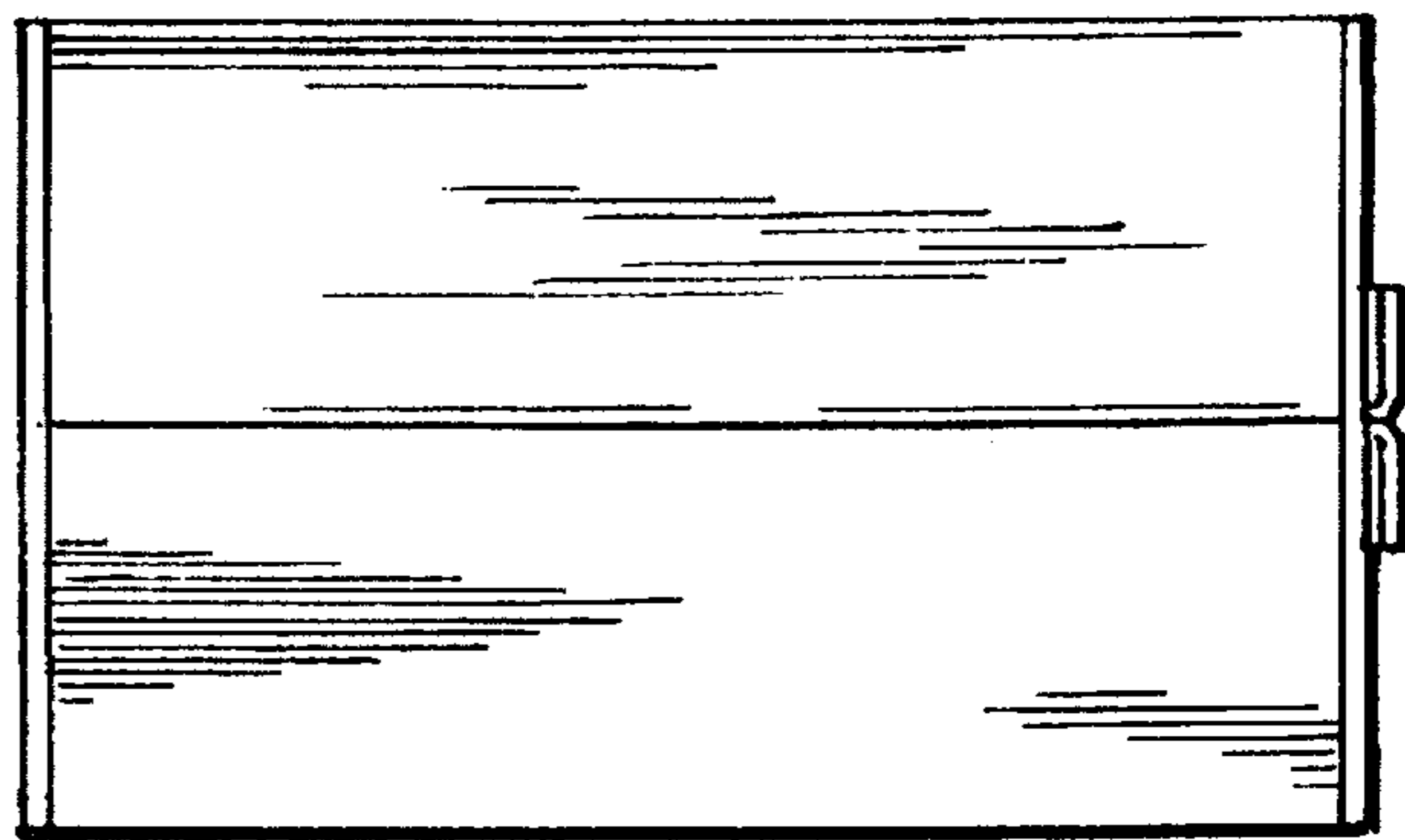


FIG. 3

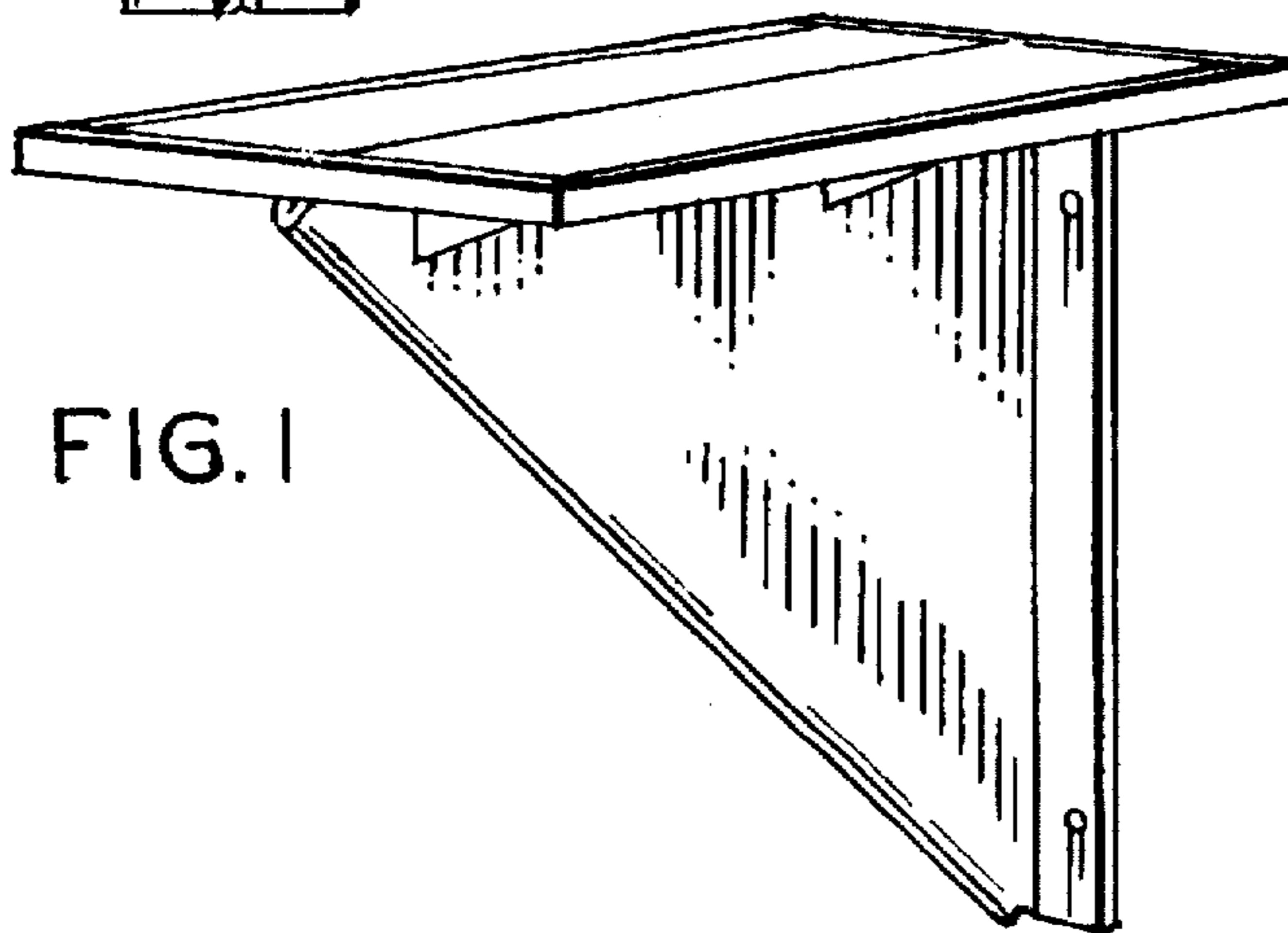


FIG. 1

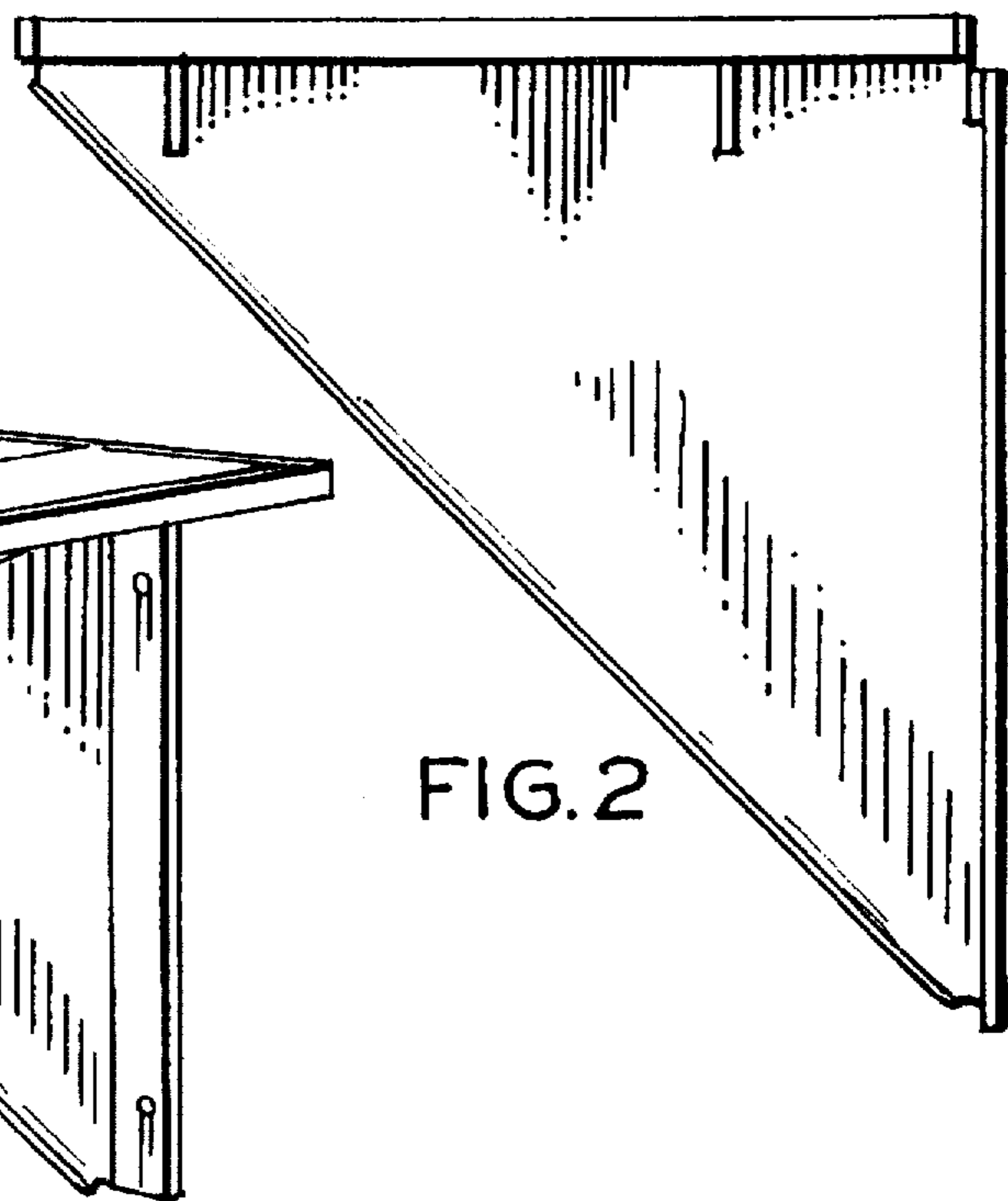


FIG. 2