



US00D384878S

United States Patent [19]

[11] Patent Number: **Des. 384,878**

Kovacik et al.

[45] Date of Patent: ****Oct. 14, 1997**

[54] **CORD STORAGE REEL**

[75] Inventors: **James D. Kovacik**, Brecksville; **Paul S. Blanch**, Broadview Heights; **Stanley E. Grzywna**, Elyria, all of Ohio

[73] Assignee: **Alert Stamping & Manufacturing Co., Inc.**, Bedford Heights, Ohio

[**] Term: **14 Years**

[21] Appl. No.: **58,812**

[22] Filed: **Aug. 23, 1996**

[51] LOC (6) Cl. **08-05**

[52] U.S. Cl. **D8/359**

[58] Field of Search **D8/359; 242/395, 242/405.3, 403.1, 564.1; 191/12.2**

[56] **References Cited**

U.S. PATENT DOCUMENTS

- D. 226,165 1/1973 Miller .
- D. 273,559 4/1984 Butler D8/359
- D. 312,204 11/1990 Nelson D8/358
- D. 351,333 10/1994 Nelson et al. D8/359
- 2,178,192 10/1939 Tolliver .
- 2,856,470 10/1958 Hyde .
- 2,977,427 3/1961 Benjamin .
- 4,244,536 1/1981 Harrill .
- 4,338,497 7/1982 Drew .
- 4,483,491 11/1984 Rainey D8/358 X
- 4,506,698 3/1985 Garcia et al. .

- 4,512,361 4/1985 Tisbo et al. .
- 4,520,239 5/1985 Schwartz .
- 4,586,676 5/1986 Johnston et al. .
- 4,653,833 3/1987 Czubernat et al. .
- 4,656,320 4/1987 Maddock .
- 4,777,976 10/1988 Johnston et al. .
- 5,046,520 9/1991 Sanchez, Jr. et al. .

OTHER PUBLICATIONS

Sears, Roebuck and Company, *Craftsman 71-69621 Wall Mount Hose Reel Owner's Manual*, 1991, 4 pages, U.S.A.
Alert Stamping & Mfg. Co., Inc., *Alert catalog*, Mar. 1992, 5th page, U.S.A.
Suncast Catalog, p. 3, hose reels Aug. 15, 1995.

Primary Examiner—Holly Baynham
Attorney, Agent, or Firm—Howard & Howard

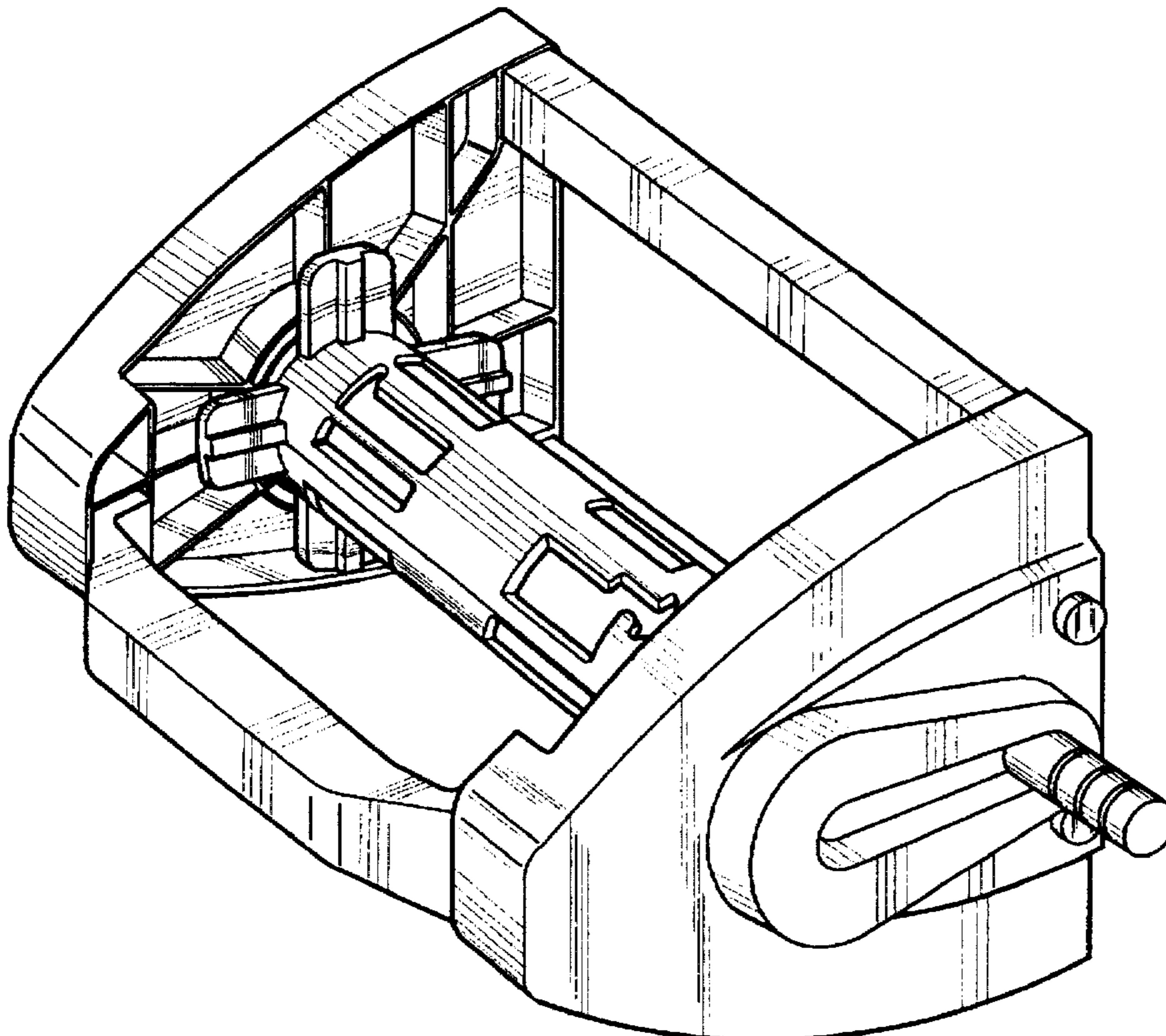
[57] **CLAIM**

The ornamental design for an cord storage reel, as shown.

DESCRIPTION

FIG. 1 is a perspective view of the cord storage reel of the present invention;
FIG. 2 is a top plan view thereof;
FIG. 3 is a front elevational view thereof;
FIG. 4 is a rear elevational view thereof;
FIG. 5 is a bottom plan view thereof;
FIG. 6 is a left side elevational view thereof; and,
FIG. 7 is a right side elevational view thereof.

1 Claim, 4 Drawing Sheets



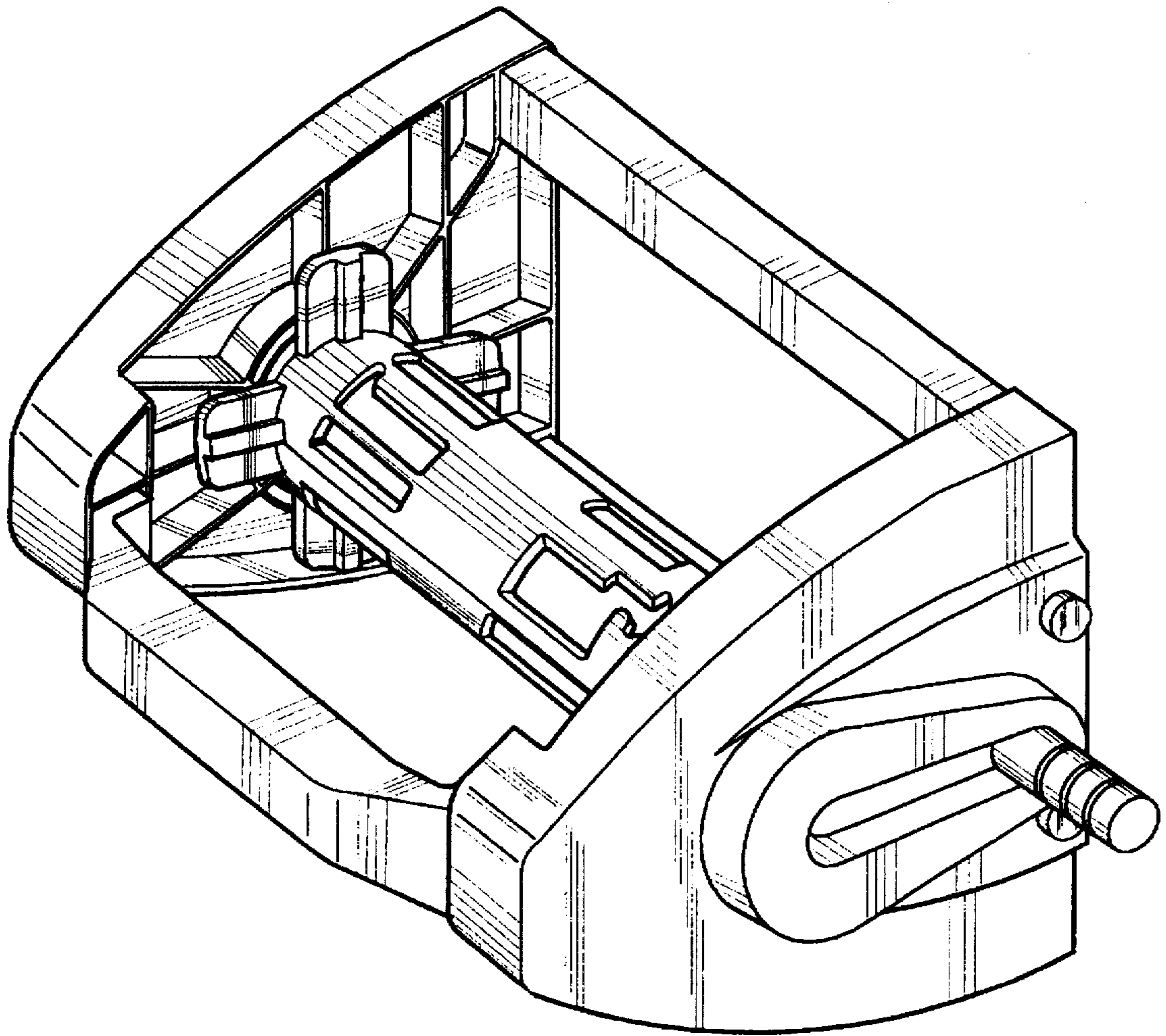


Fig-1

Fig-2

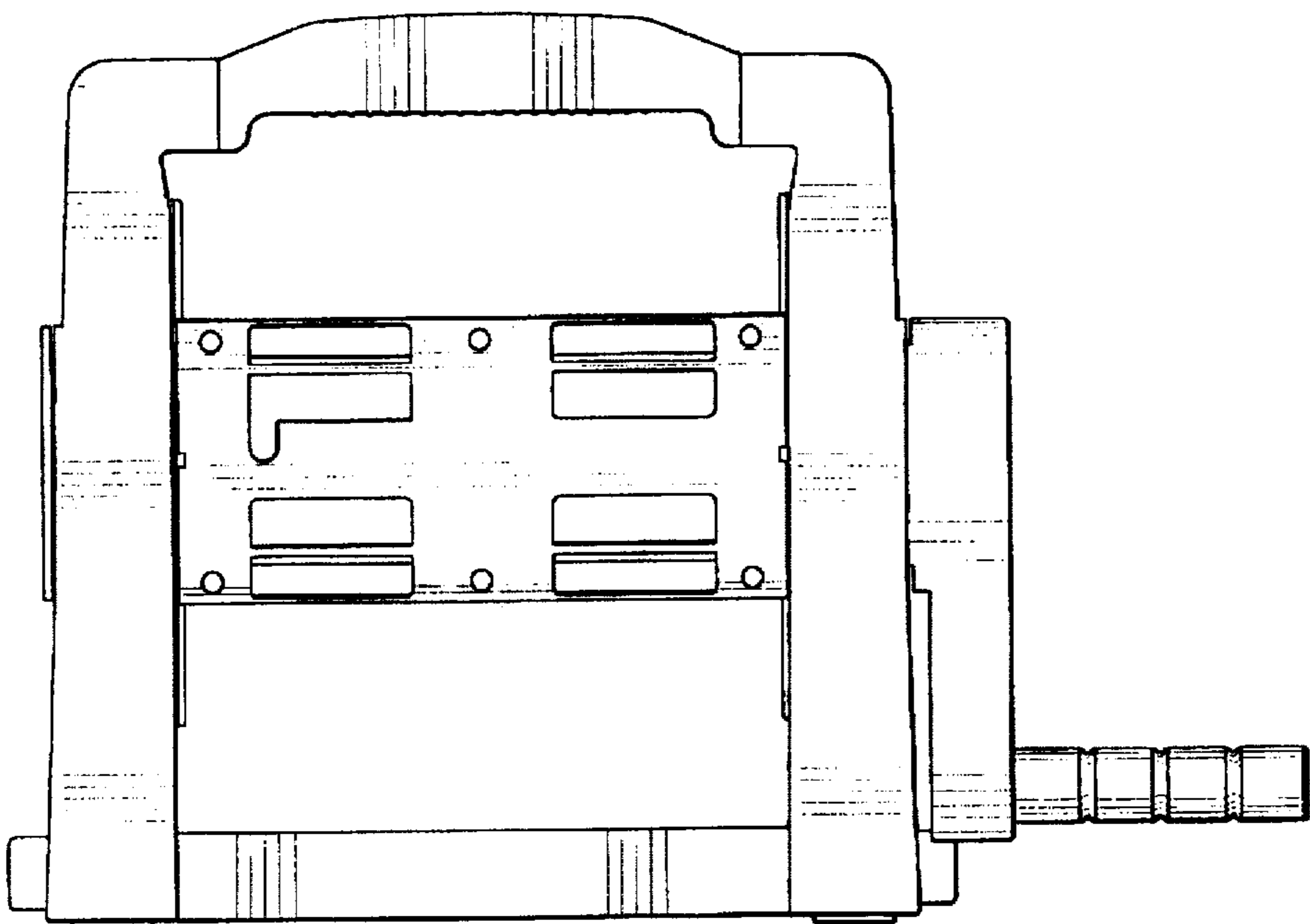
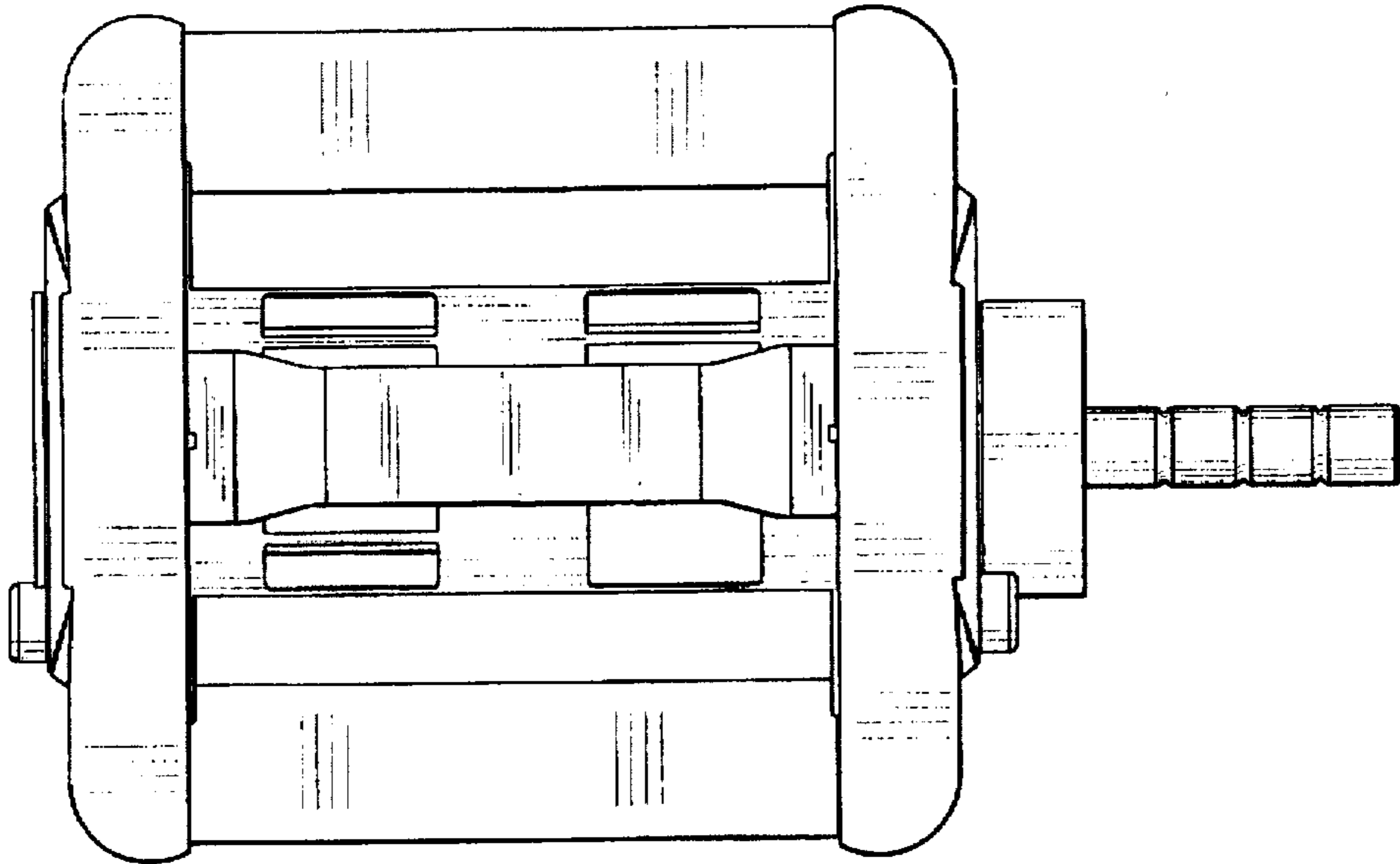


Fig-3

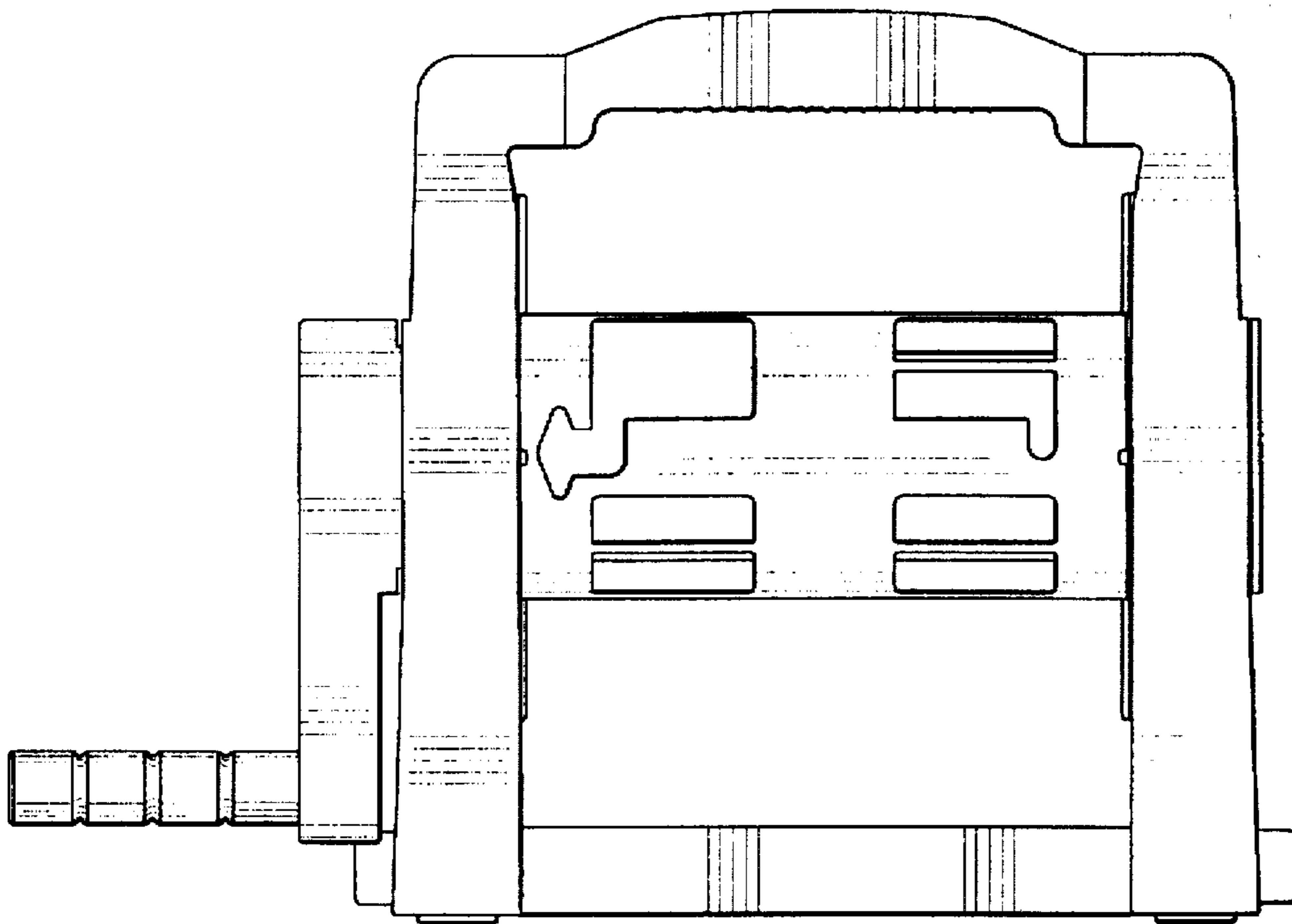


Fig-4

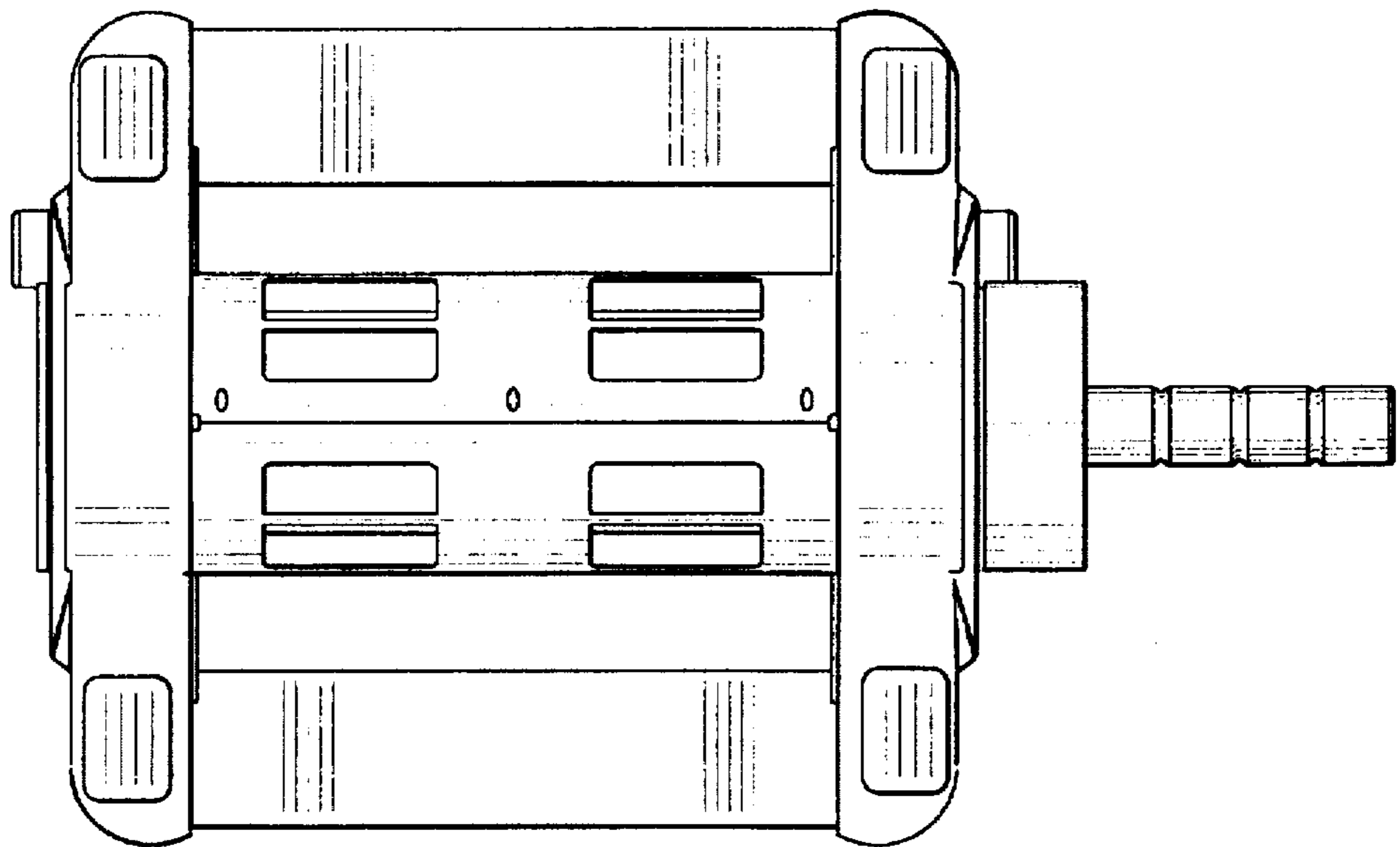


Fig-5

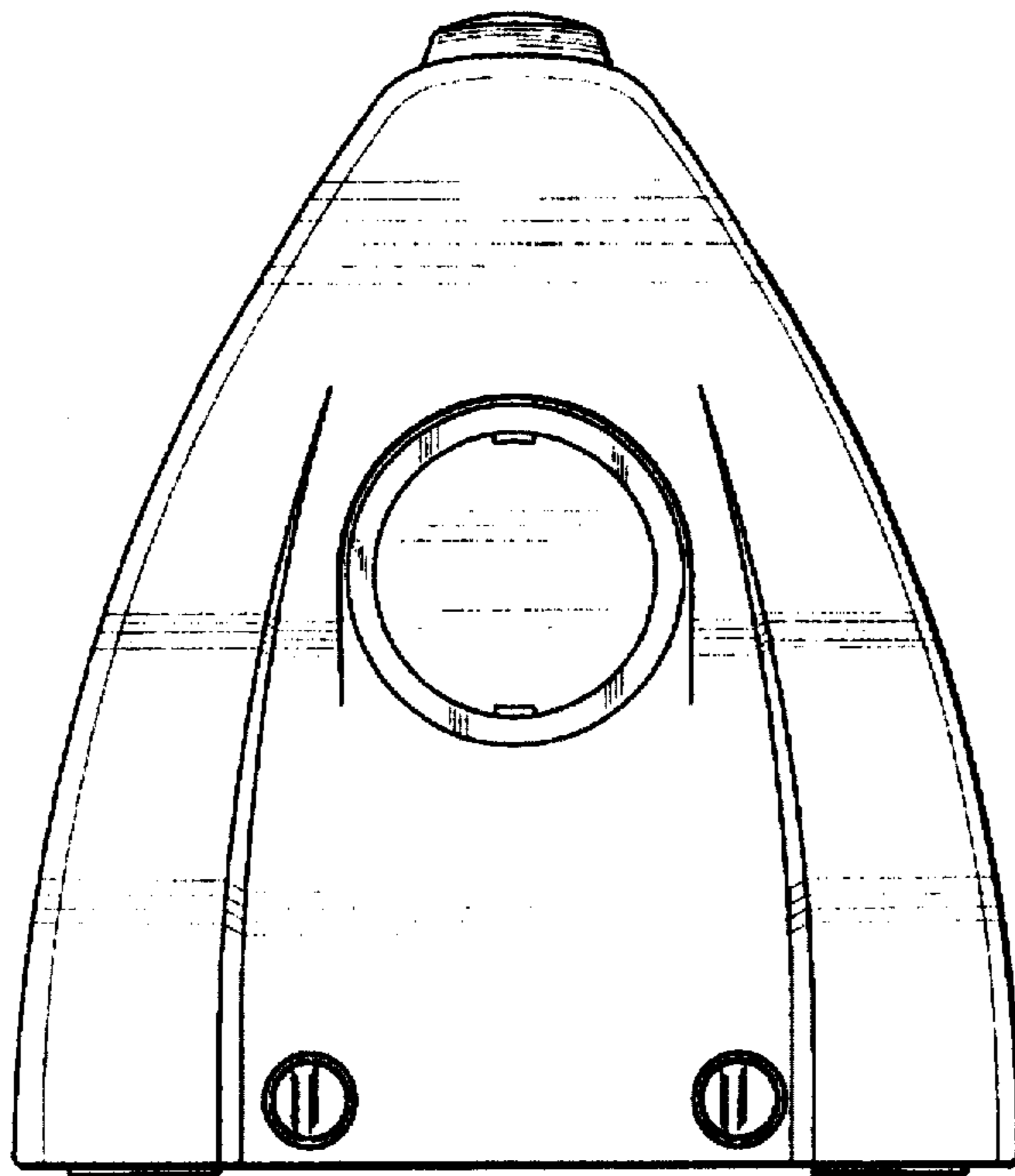


Fig-6

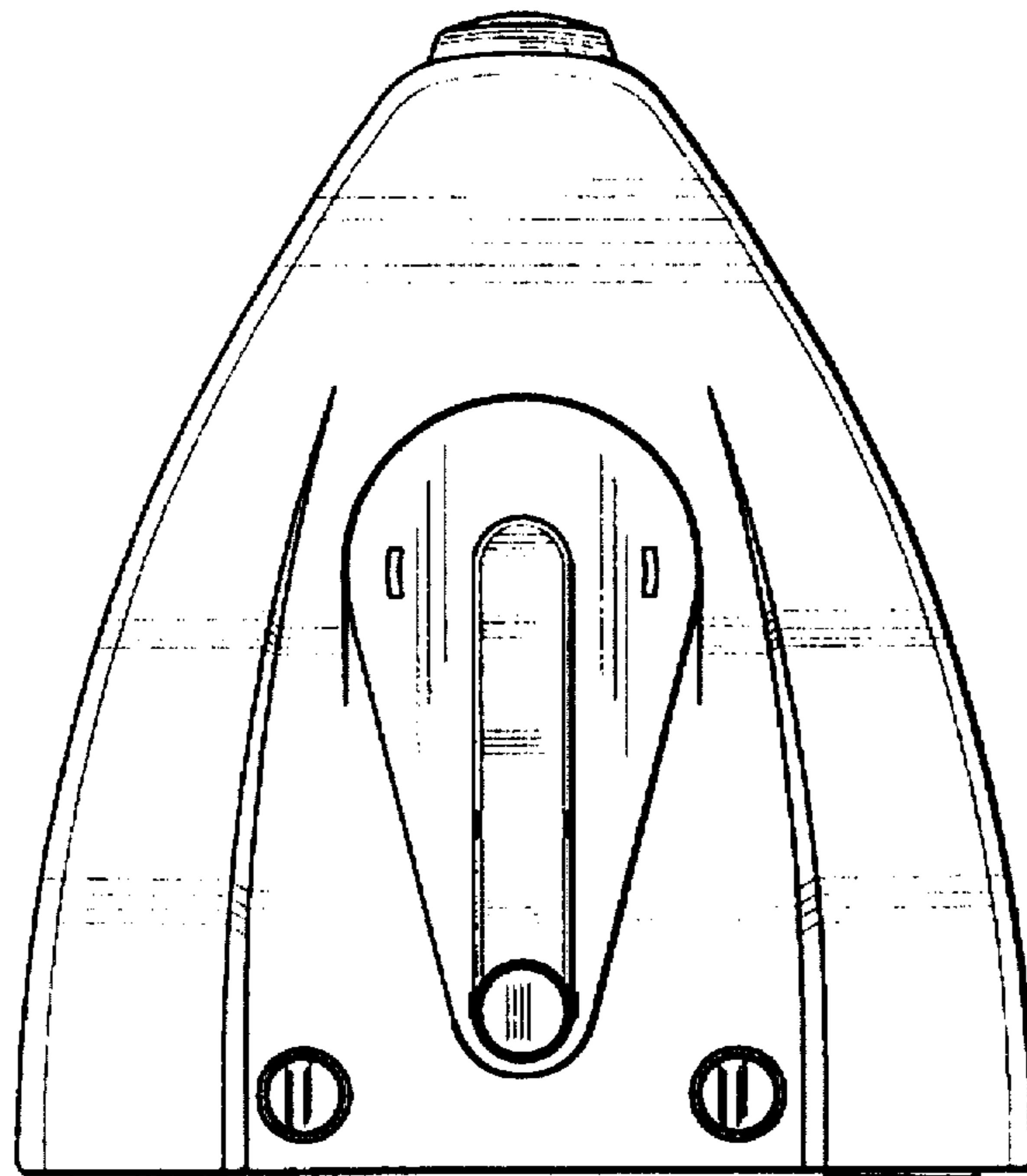


Fig-7