

US00D384877S

United States Patent [19]

Perrin et al.

[11] Patent Number: Des. 384,877

[45] Date of Patent: **Oct. 14, 1997

[54] BRACKET

[75] Inventors: **Patrick C. Perrin**, Rancho Palos Verdes; **Richard C. Fisk**, Granada Hills, both of Calif.

[73] Assignee: **Perrin Manufacturing Company**, City of Industry, Calif.

[**] Term: 14 Years

[21] Appl. No.: 56,615

[22] Filed: Jul. 3, 1996

[51] LOC (6) Cl. 08-05

[52] U.S. Cl. D8/354

[58] Field of Search D8/349, 354, 366, D8/380; D12/223; 248/200, 300, 316.1, 205.1, 201, 309.1, 311.2

[56] References Cited

U.S. PATENT DOCUMENTS

D. 274,214	6/1984	DeVos	D8/373
D. 274,786	7/1984	DeVos	D8/373
3,964,709	6/1976	LaBelle et al.	248/311.2
5,406,448	4/1995	Anderson et al.	248/300 X

FOREIGN PATENT DOCUMENTS

512614	11/1992	European Pat. Off.	248/300
--------	---------	--------------------	-------	---------

Primary Examiner—Holly Baynham

Attorney, Agent, or Firm—Jeffrey G. Sheldon; Sheldon & Mak, Inc.

[57] CLAIM

The ornamental design for a bracket, as shown and described.

DESCRIPTION

FIG. 1 is a perspective view of a bracket according to the present invention;

FIG. 2 is a front elevation view of the bracket of FIG. 1;

FIG. 3 is a top plan view of the bracket of FIG. 1;

FIG. 4 is an environmental side elevational view with the opposite side being a mirror image and the broken line showing of a dispensing container being for illustrative purposes only and forming no part of the claimed design;

FIG. 5 is a rear elevation view of the bracket of FIG. 1;

FIG. 6 is a bottom plan view of the bracket of FIG. 1; and,

FIG. 7 is a perspective view of the second embodiment of the design shown in FIG. 1.

The undisclosed bottom plan view of the second embodiment is identical in appearance to the bottom plan view of the first embodiment.

1 Claim, 3 Drawing Sheets

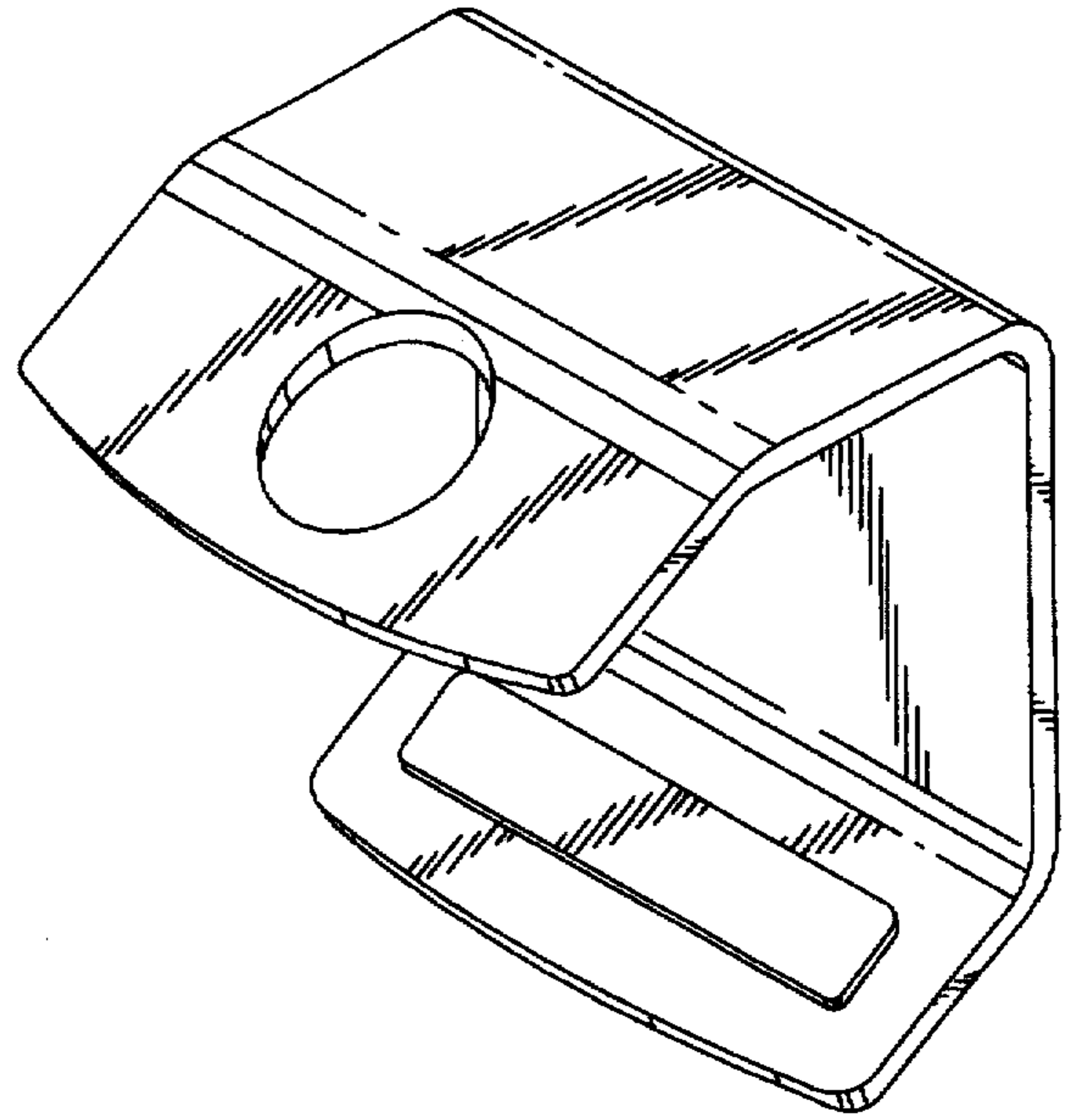
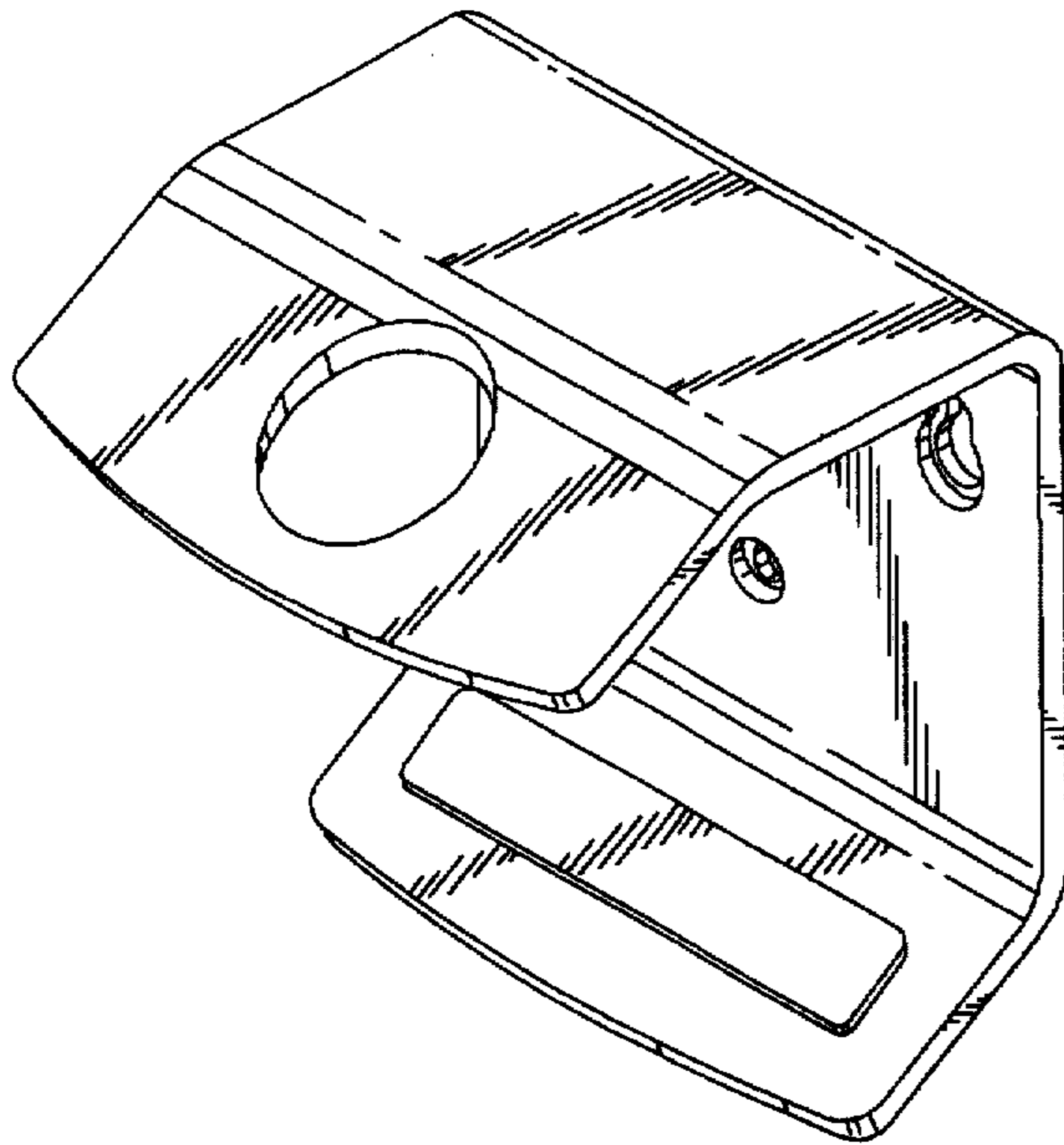


FIG. 1

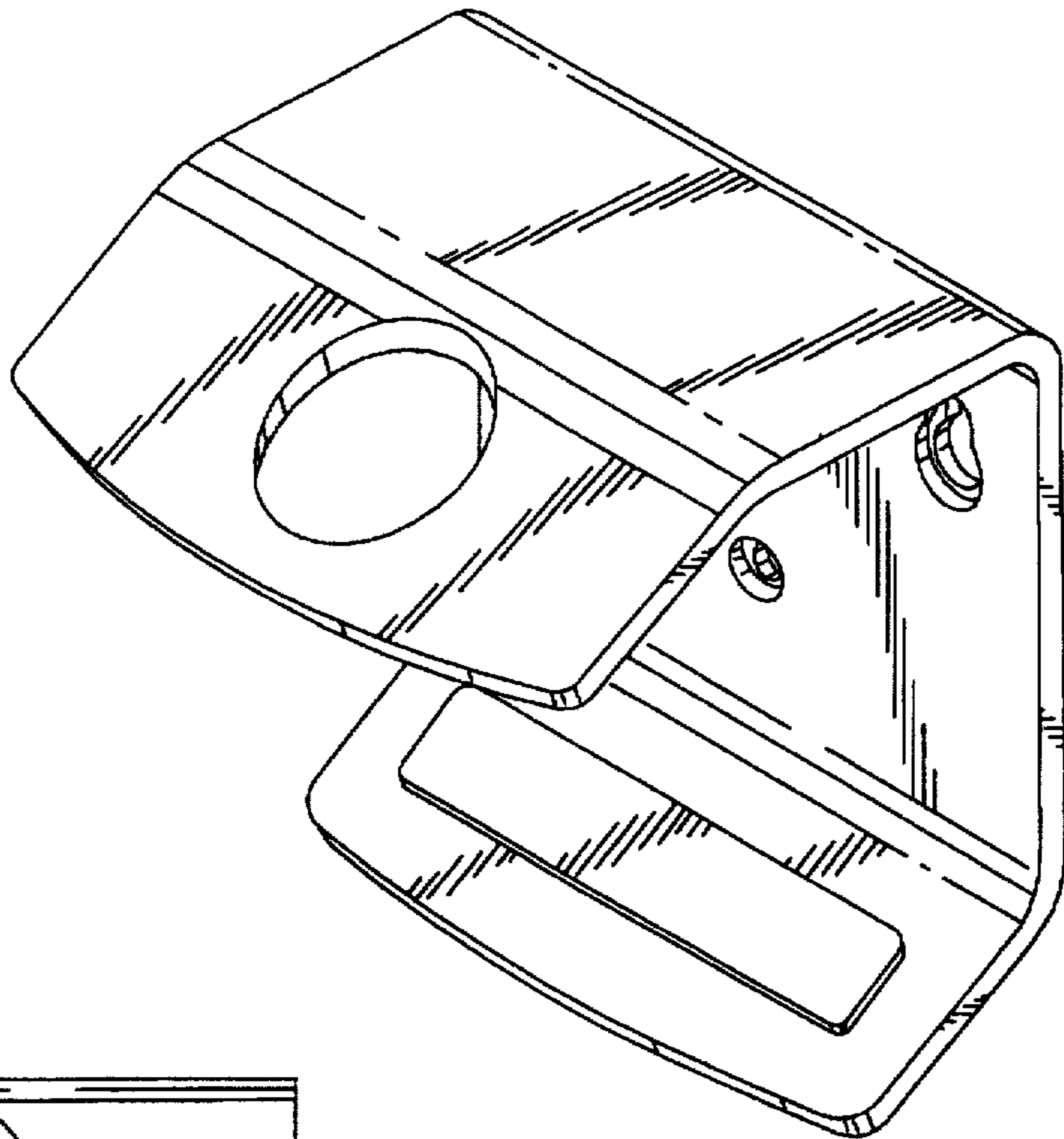


FIG. 2

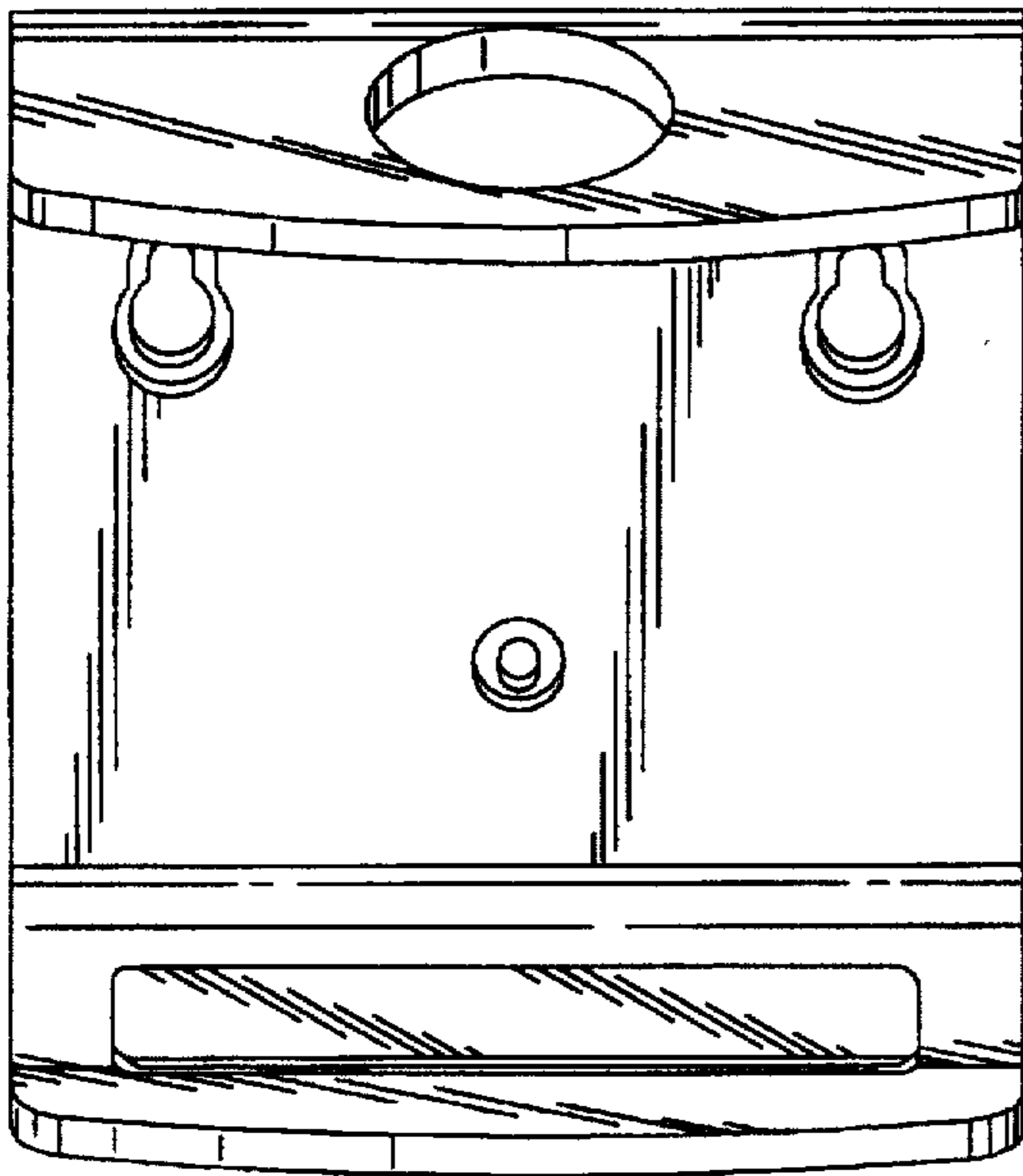
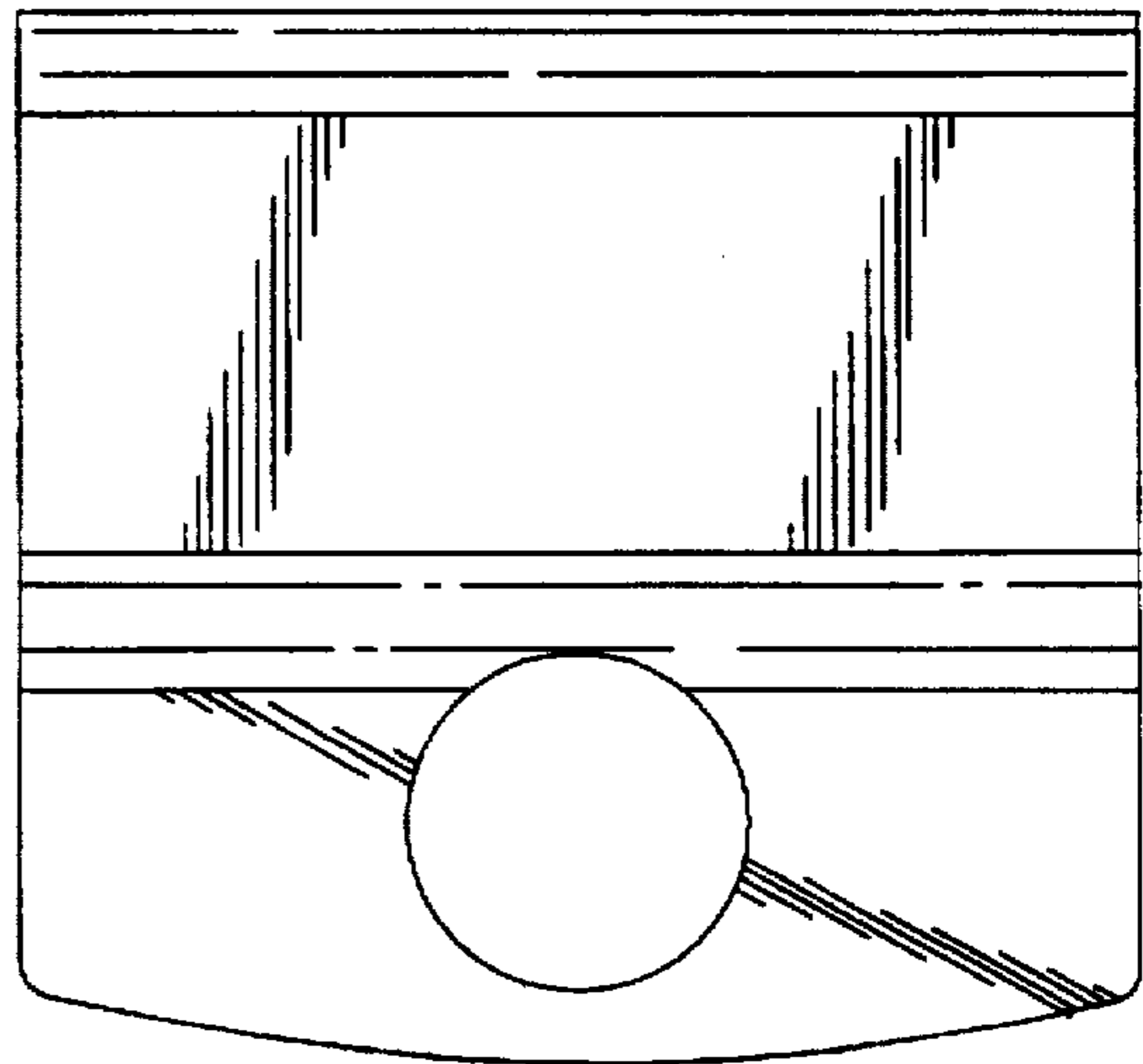


FIG. 3



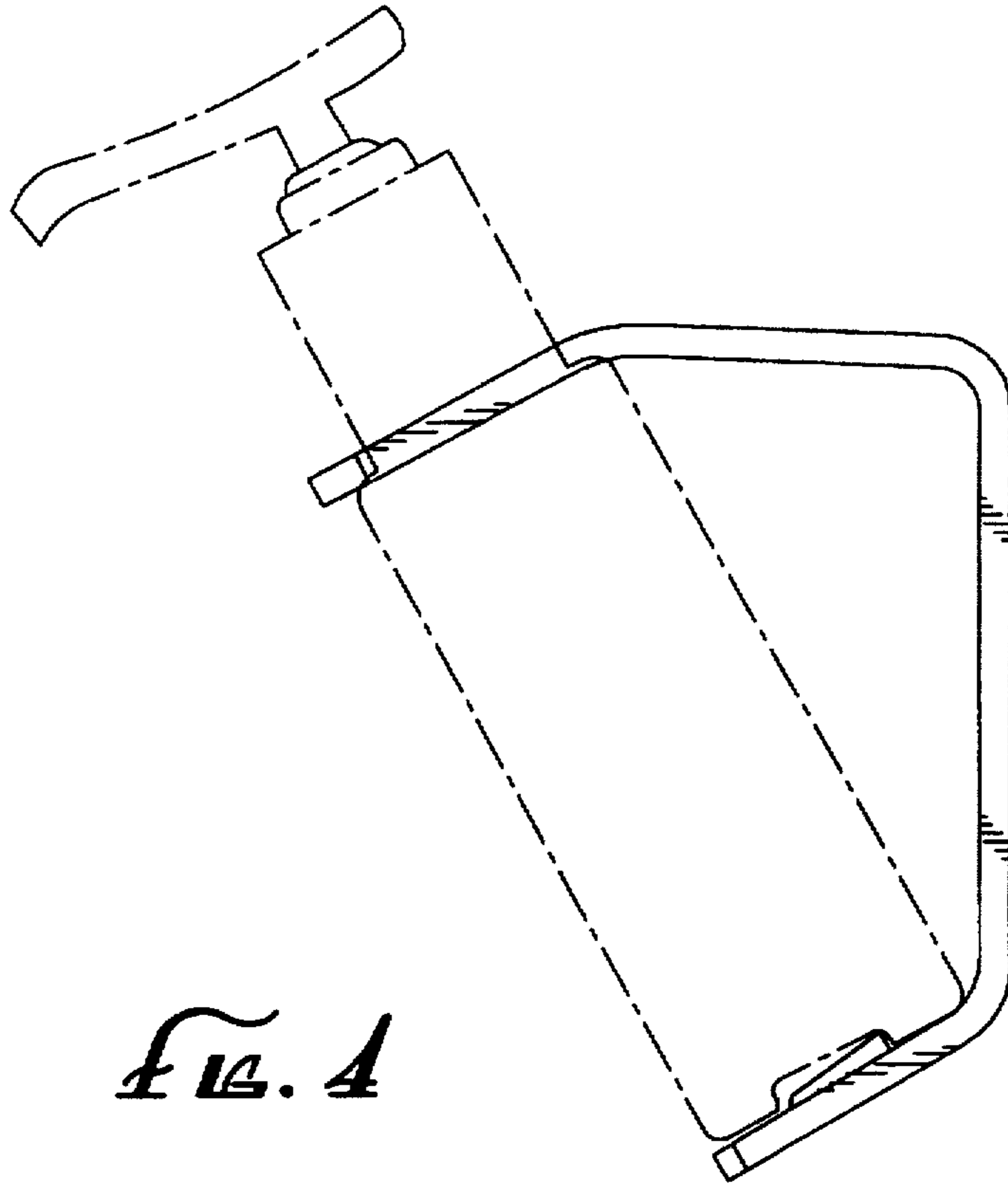


FIG. 4

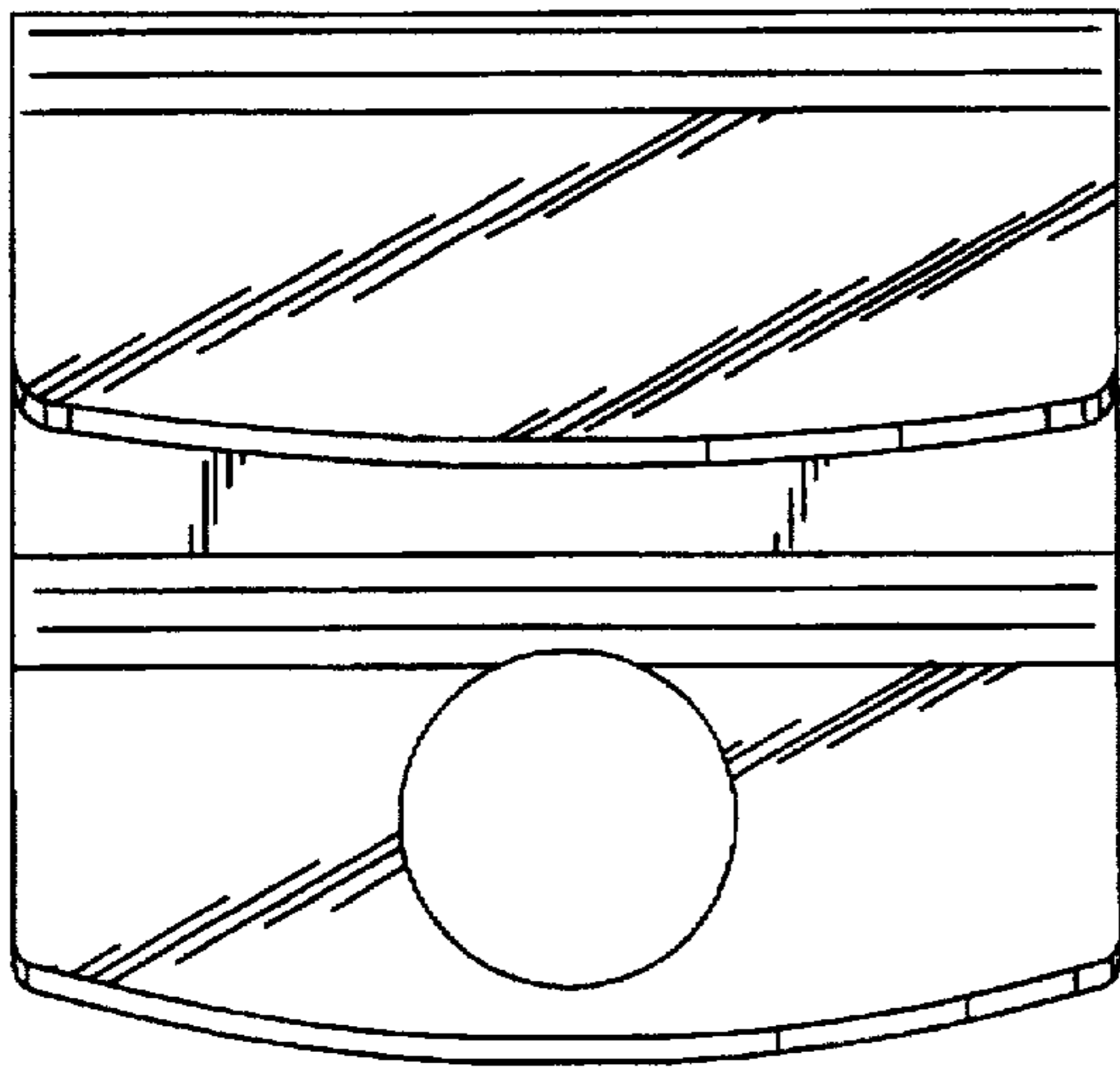


FIG. 6

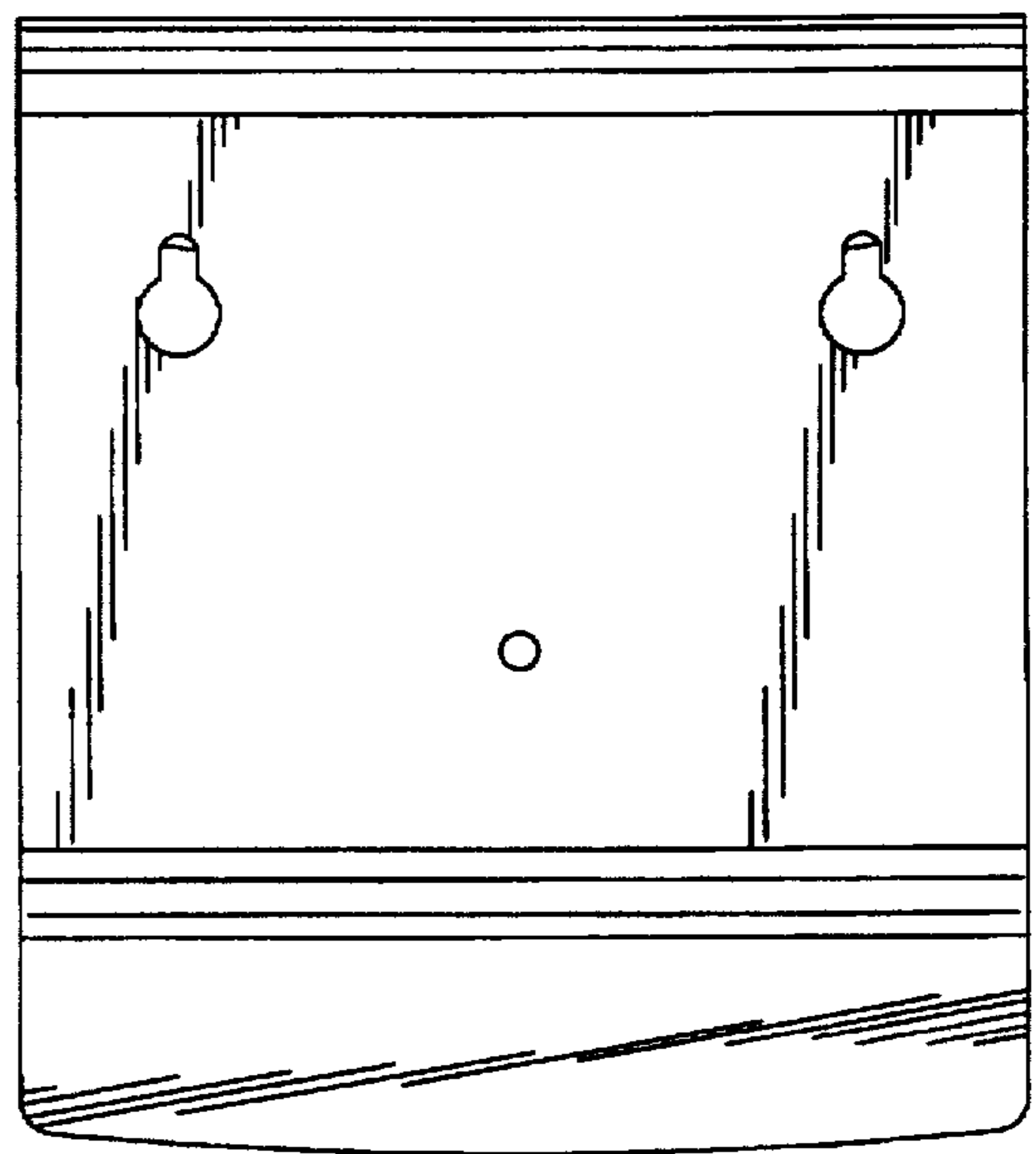


FIG. 5

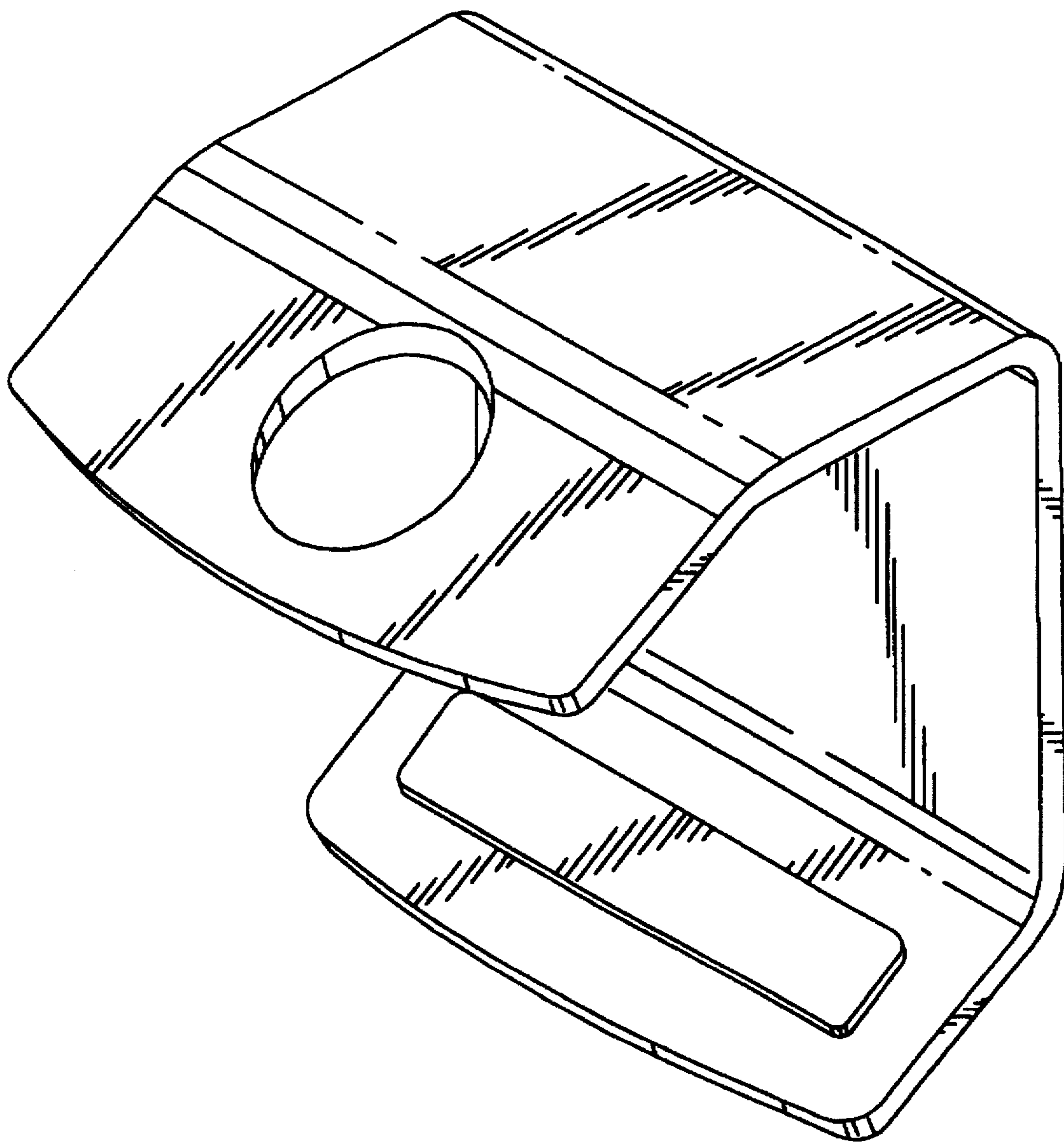


FIG. 7