

US00D384876S

United States Patent [19]
Ryczek

[11] **Patent Number: Des. 384,876**
[45] **Date of Patent: **Oct. 14, 1997**

- [54] **PIVOT BLOCK**
- [75] **Inventor: William F. Ryczek, Glendora, Calif.**
- [73] **Assignee: Arthur Cox & Sons, Inc., City Of Industry, Calif.**
- [**] **Term: 14 Years**
- [21] **Appl. No.: 39,099**
- [22] **Filed: May 17, 1995**
- [51] **LOC (6) Cl. 08-05**
- [52] **U.S. Cl. D8/354**
- [58] **Field of Search D8/349, 354; 160/206; 16/93 D, 94 R, 94 D, 244**

4,109,346	8/1978	Strozier	16/235
4,475,706	10/1984	Anderson	16/94 R X
5,239,728	8/1993	Redman	16/244

Primary Examiner—Holly Baynham
Attorney, Agent, or Firm—Knobbe Martens Olson & Bear, LLP

[57] **CLAIM**

The ornamental design for a pivot block, as shown and described.

DESCRIPTION

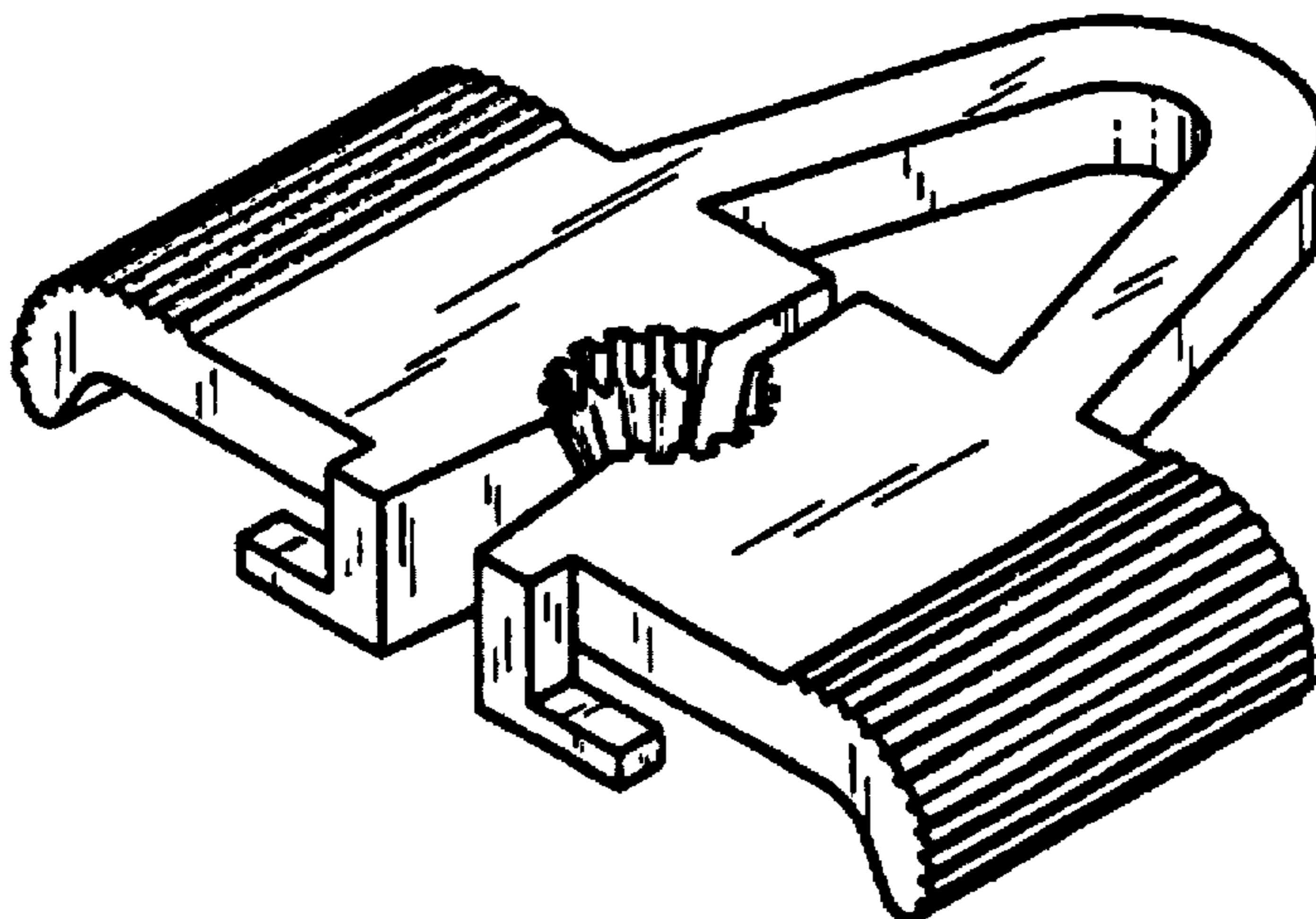
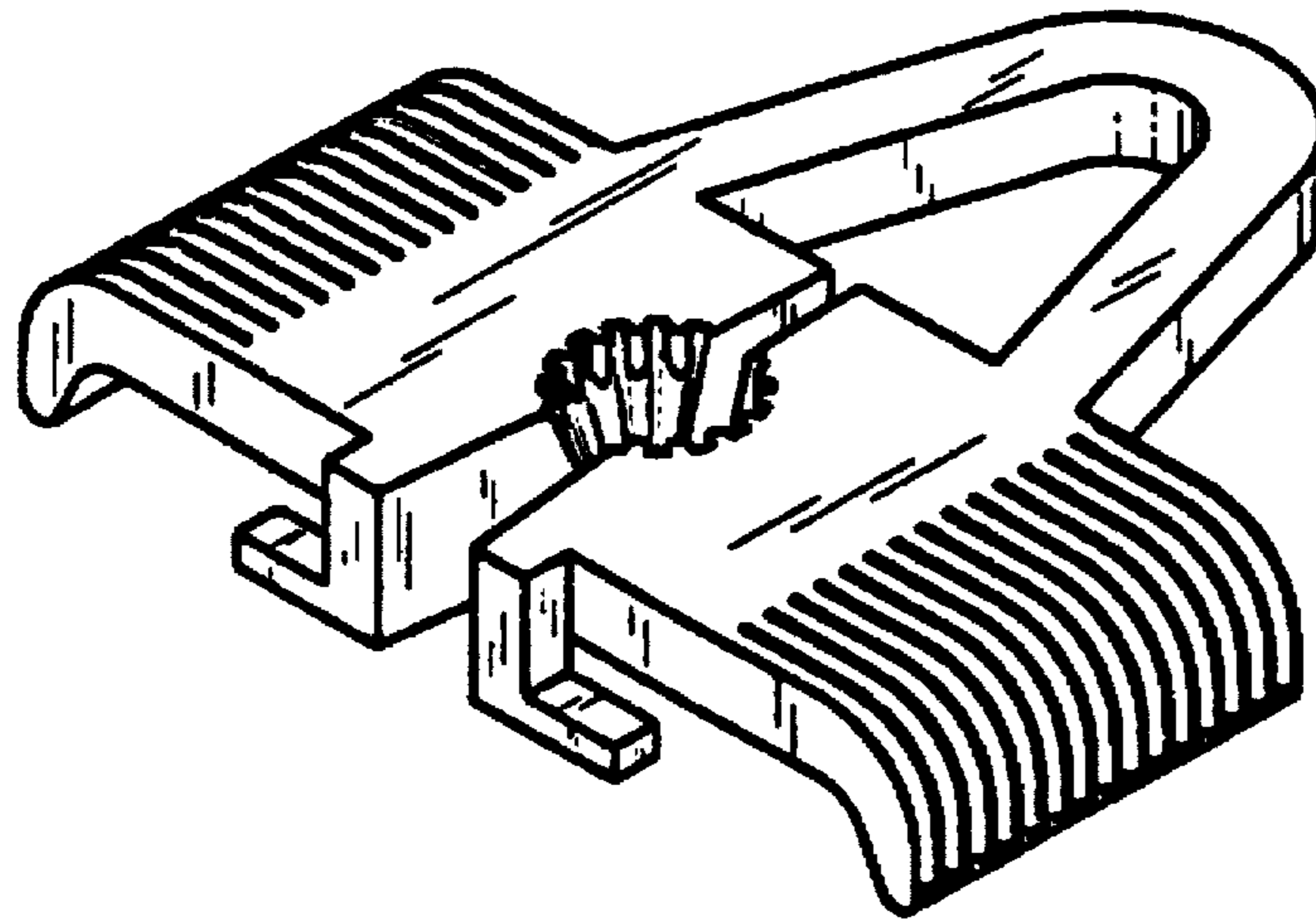
FIG. 1, is a top perspective view of a pivot block illustrating a preferred form of my new design;
FIG. 2, is a top plan view thereof;
FIG. 3, is a bottom perspective view thereof;
FIG. 4 is a top perspective view of a pivot block incorporating another embodiment of my new design;
FIG. 5, is a top plan view of the embodiment of FIG. 4; and,
FIG. 6, is a bottom perspective view of the embodiment of FIG. 4.

[56] **References Cited**

U.S. PATENT DOCUMENTS

2,848,735	8/1958	Ault et al.	16/93 D
3,345,779	10/1967	Evans	49/501
3,866,658	2/1975	Smith	160/206
3,957,102	5/1976	Kempel .	

1 Claim, 2 Drawing Sheets



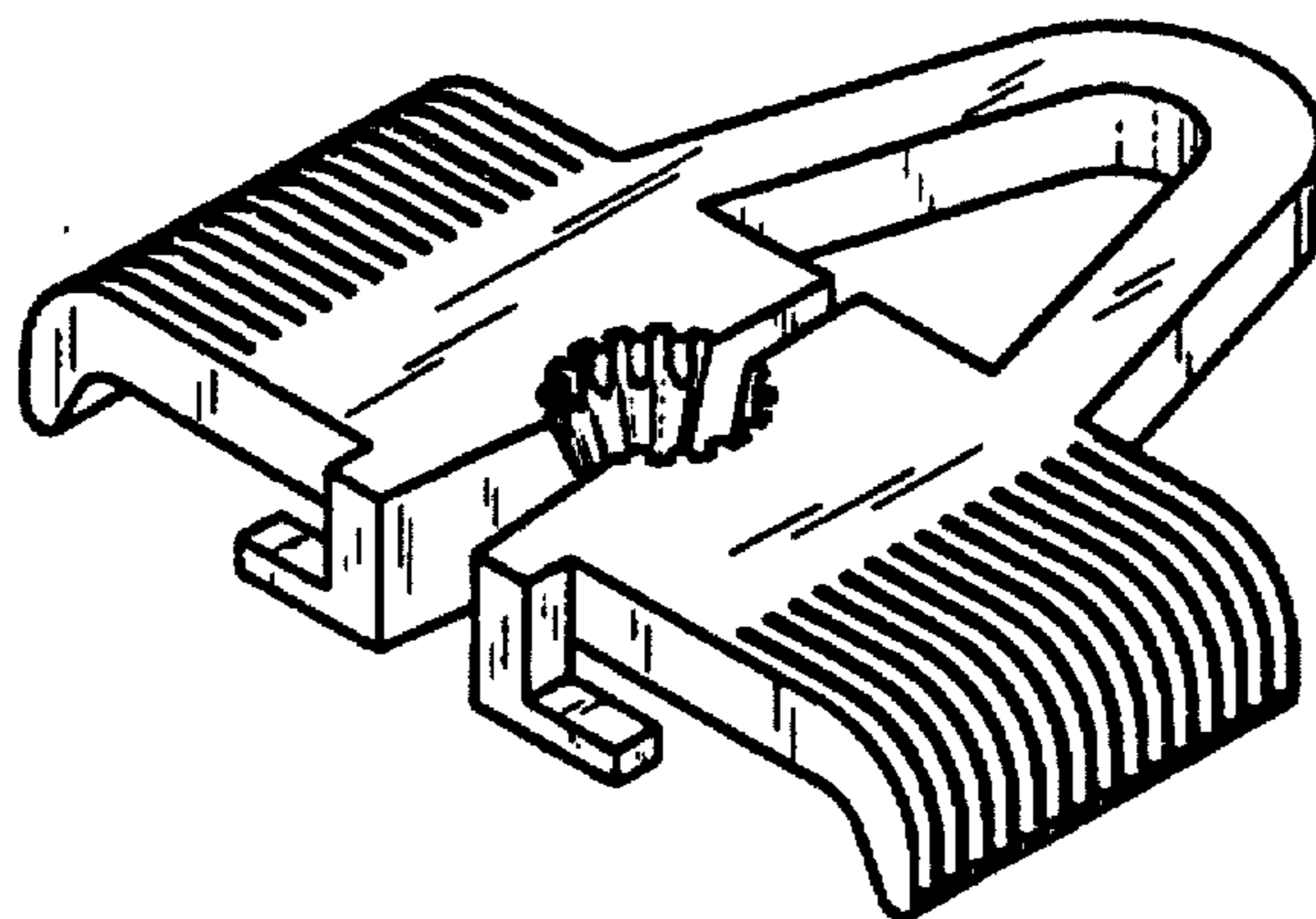


FIG. 1

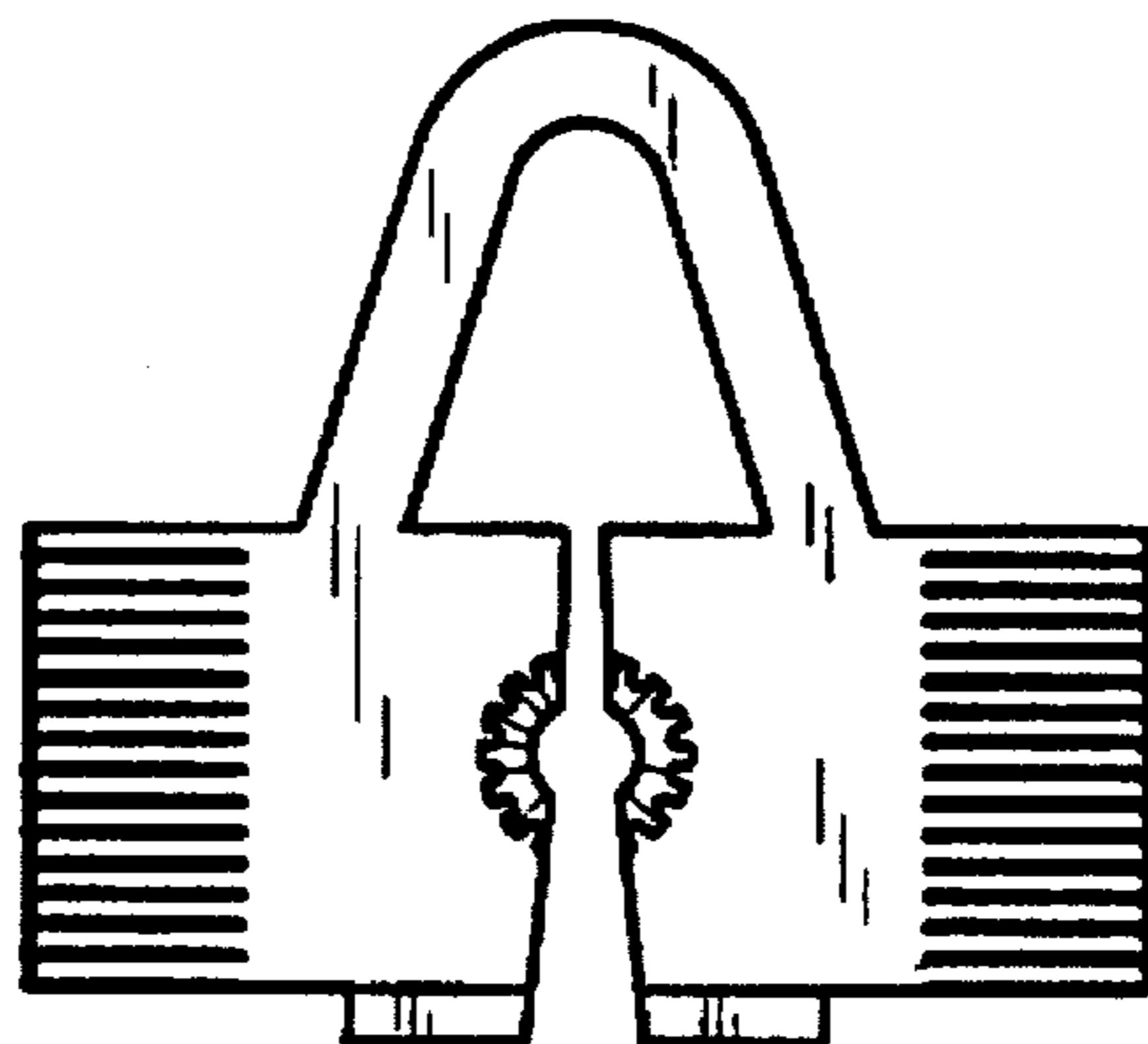


FIG. 2

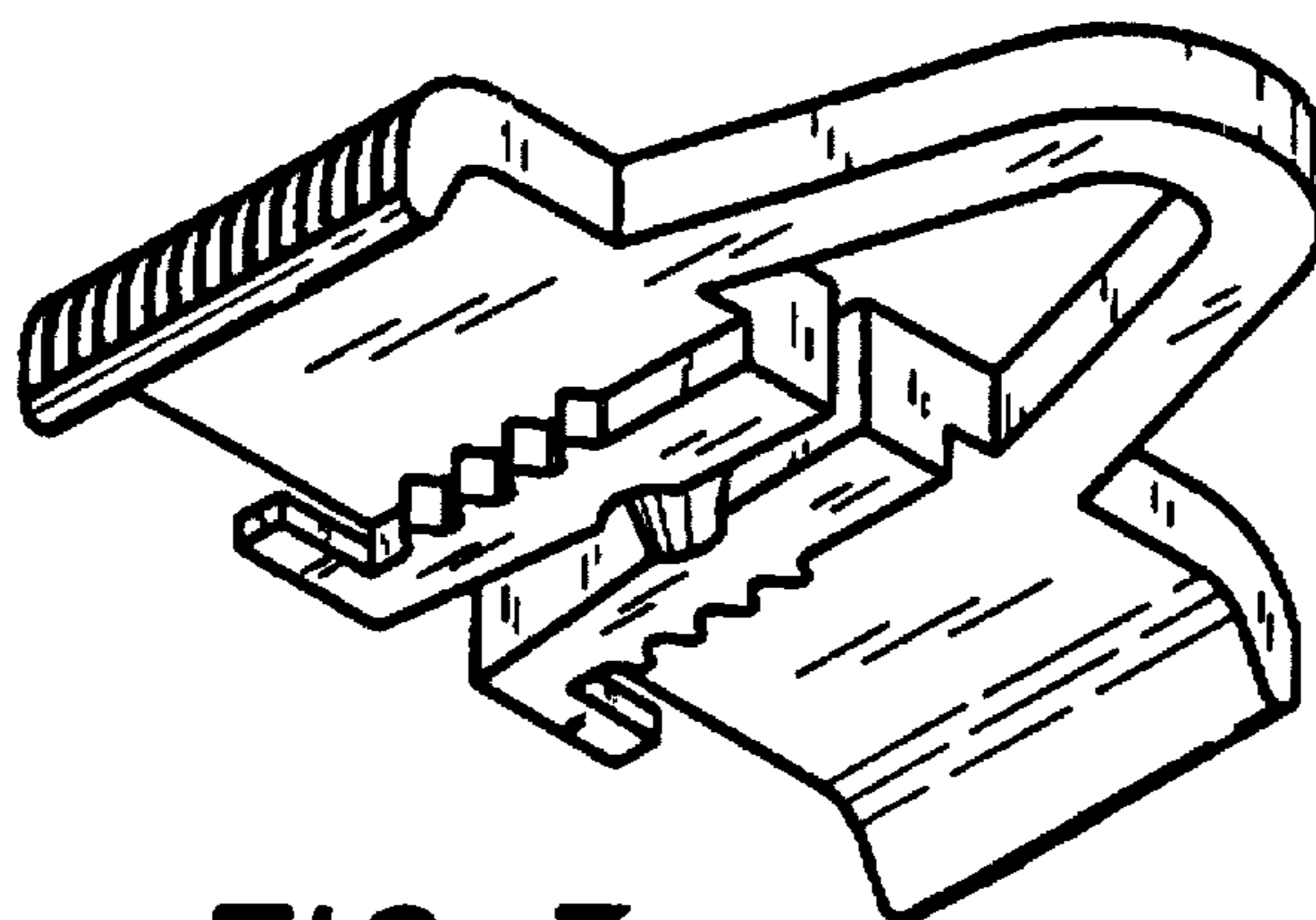


FIG. 3

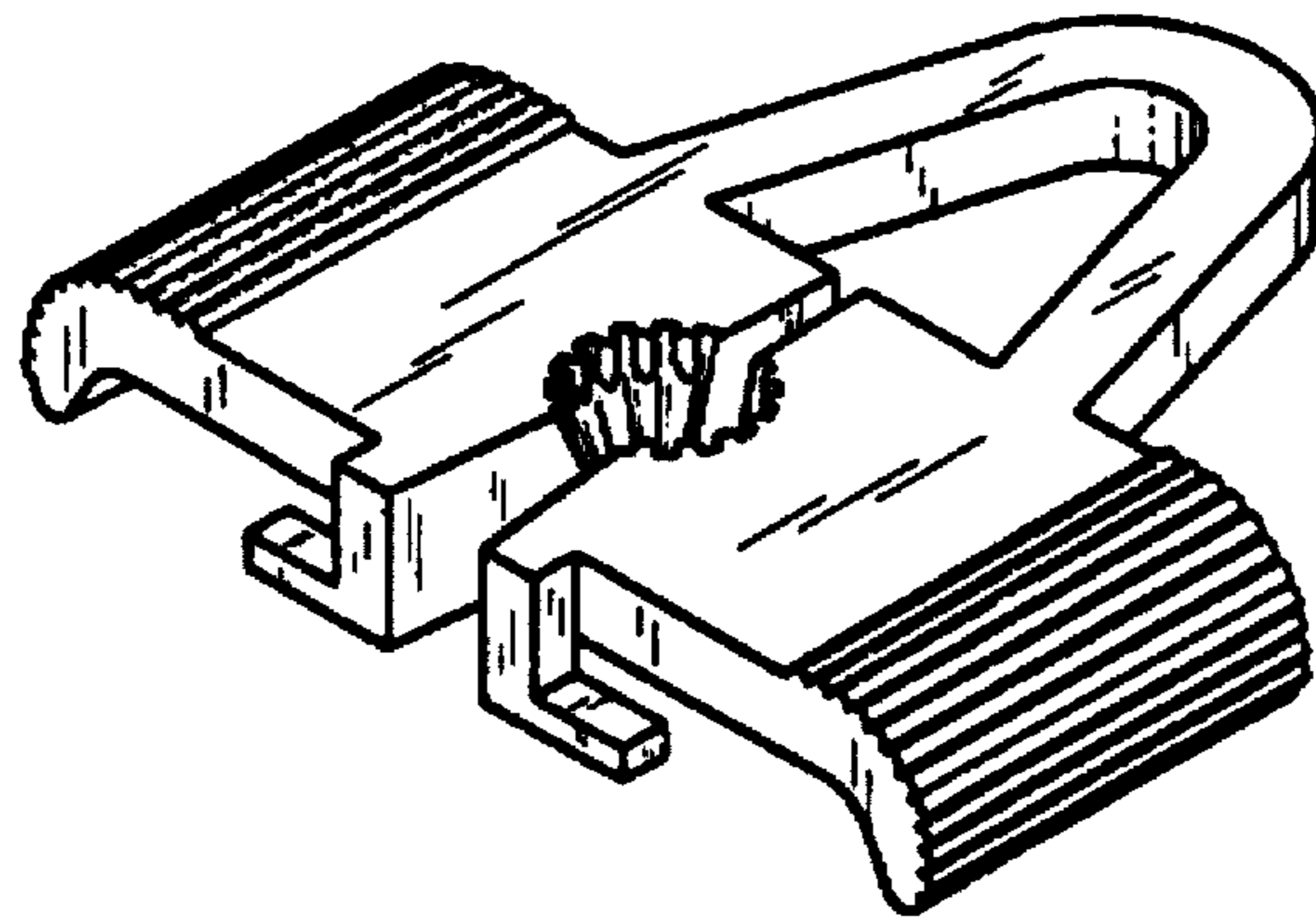


FIG. 4

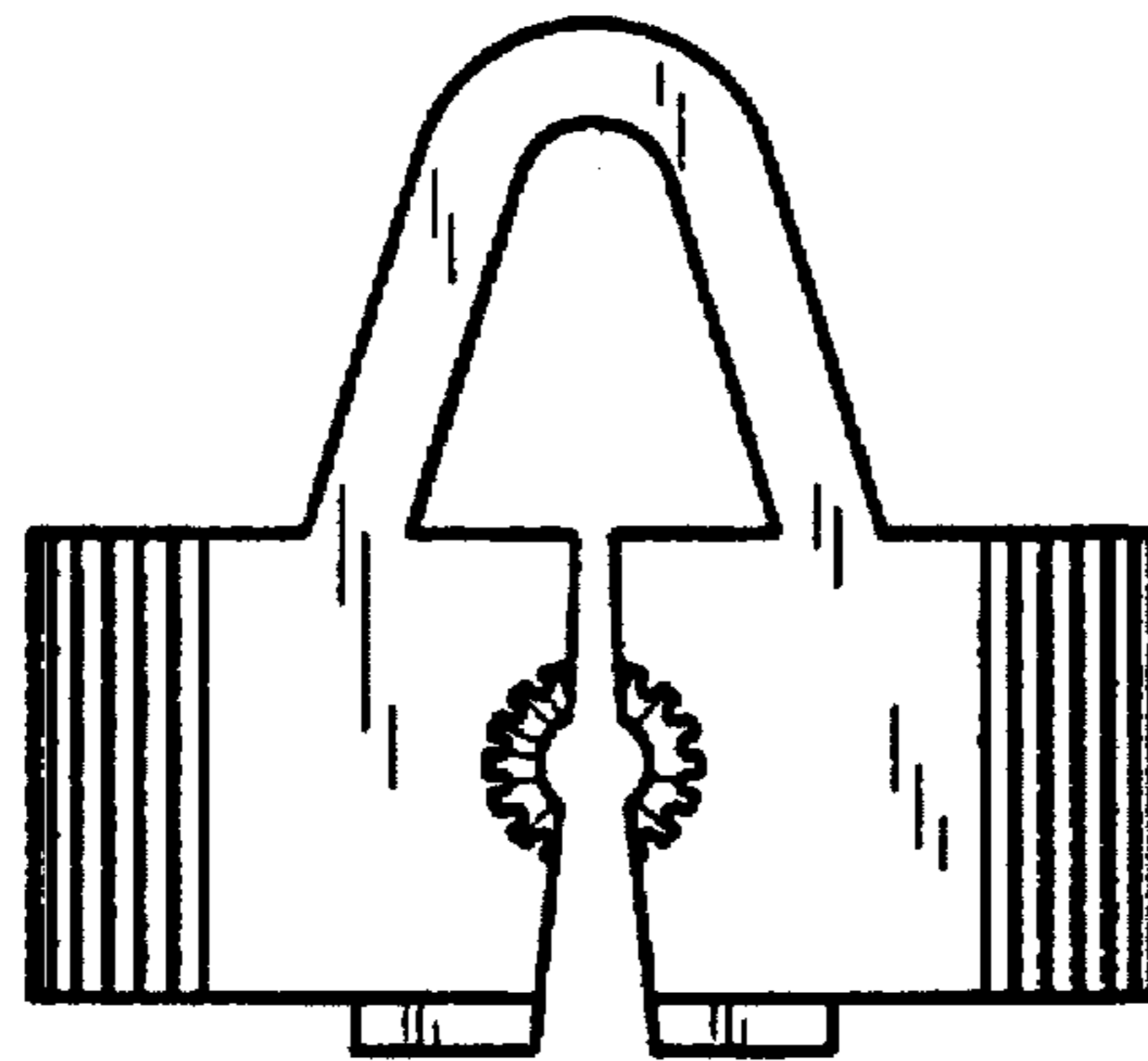


FIG. 5

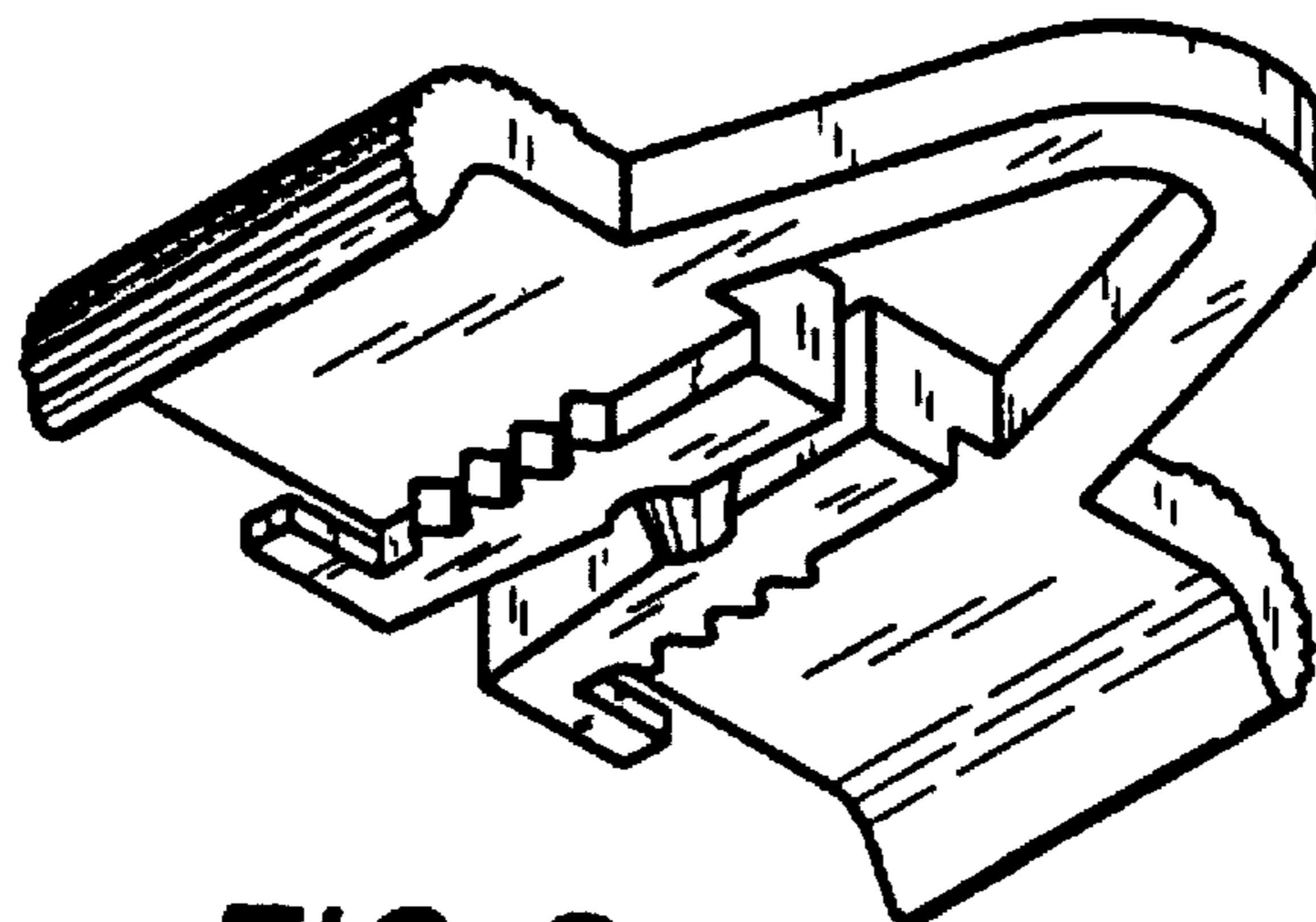


FIG. 6