

US00D384875S

United States Patent [19]

[11] Patent Number: **Des. 384,875**

Sayler et al.

[45] Date of Patent: ****Oct. 14, 1997**

[54] **PLUNGER LOCK MECHANISM**

[75] Inventors: **David Sayler; Henry Young Chin,**
both of Portland, Oreg.

[73] Assignee: **Sentrol, Inc.,** Tualatin, Oreg.

[**] Term: **14 Years**

[21] Appl. No.: **61,763**

[22] Filed: **Oct. 30, 1996**

[51] LOC (6) Cl. **08-07**

[52] U.S. Cl. **D8/339**

[58] Field of Search D8/330-331, 339-342;
292/1-2, 137, 162, 169.13, 169.14, DIG. 46,
DIG. 53, DIG. 55; 70/88-91, 95-97, 99-100,
124, 127, 129, 344, 404, 405

[56] **References Cited**

U.S. PATENT DOCUMENTS

D. 293,878	1/1988	Kayser	D8/339
D. 319,776	9/1991	Barrett et al.	D8/340
D. 349,035	7/1994	Baber	D8/339
D. 351,780	10/1994	Baber	D8/339
1,580,611	4/1926	Kirkpatrick	292/DIG. 46 X
3,710,052	1/1973	Jette, Jr.	200/61.68
3,803,575	4/1974	Gotanda	340/274
3,851,325	11/1974	Maged	340/274
3,967,080	6/1976	Errani	200/61.64
4,317,969	3/1982	Riegler et al.	200/52 R
4,336,518	6/1982	Holce et al.	335/205
4,465,997	8/1984	Hines	340/542
4,587,517	5/1986	Engstrom et al.	340/542

4,609,910	9/1986	Geringer et al.	340/545
4,639,022	1/1987	Dunphy	292/DIG. 46 X
4,903,010	2/1990	Greene	340/693
5,155,460	10/1992	Huckins et al.	335/205

OTHER PUBLICATIONS

Fig. 1 diagram of a conventional plunger lock to secure a movable barrier without a reed switch.

Fig. 2 diagram of a cross-section of a conventional plunger lock without a reed switch.

Primary Examiner—Brian N. Vinson
Attorney, Agent, or Firm—Stoel Rives LLP

[57] **CLAIM**

The design for a plunger lock mechanism, as shown and described.

DESCRIPTION

FIG. 1 is a top, front, right side isometric view of a plunger lock mechanism for securement to a barrier frame, such as a patio door frame with the plunger retracted;

FIG. 2 is an isometric view similar to FIG. 1 with the plunger extended for securing a moveable barrier, such as a patio door;

FIG. 3 is a right side elevational view thereof, the opposite side being identical;

FIG. 4 is a top plan view thereof;

FIG. 5 is a front elevational view thereof;

FIG. 6 is a rear elevational view thereof; and,

FIG. 7 is a bottom plan view thereof.

1 Claim, 2 Drawing Sheets

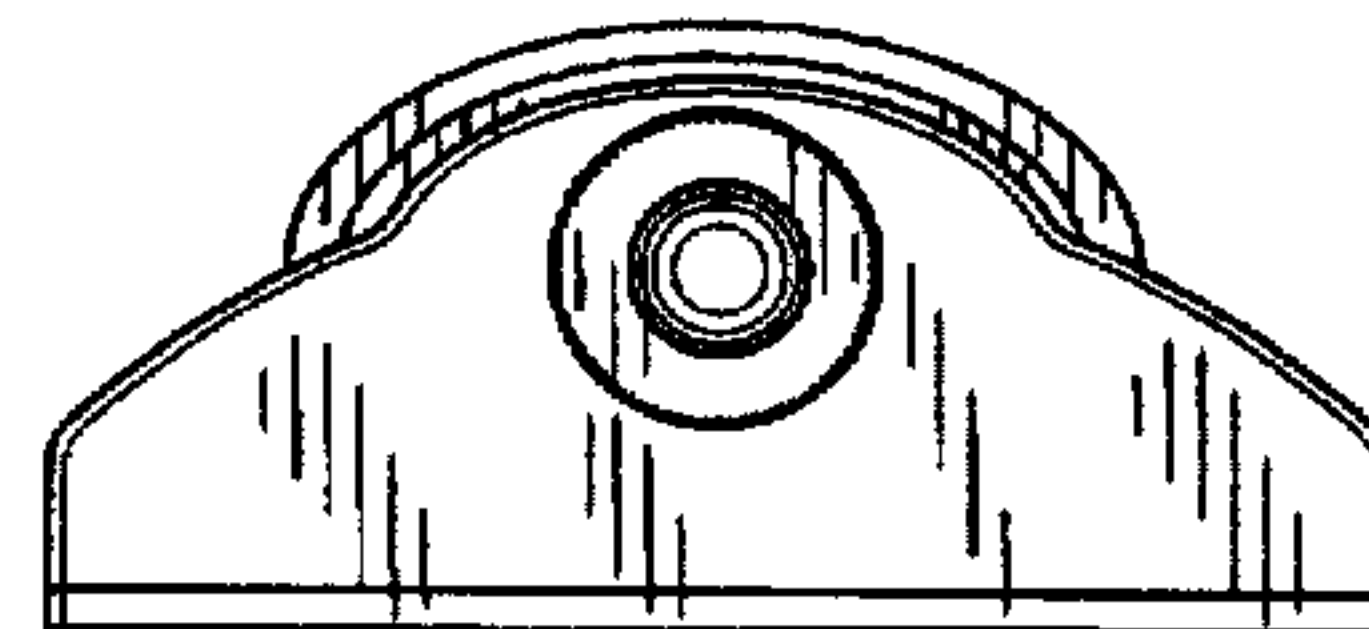
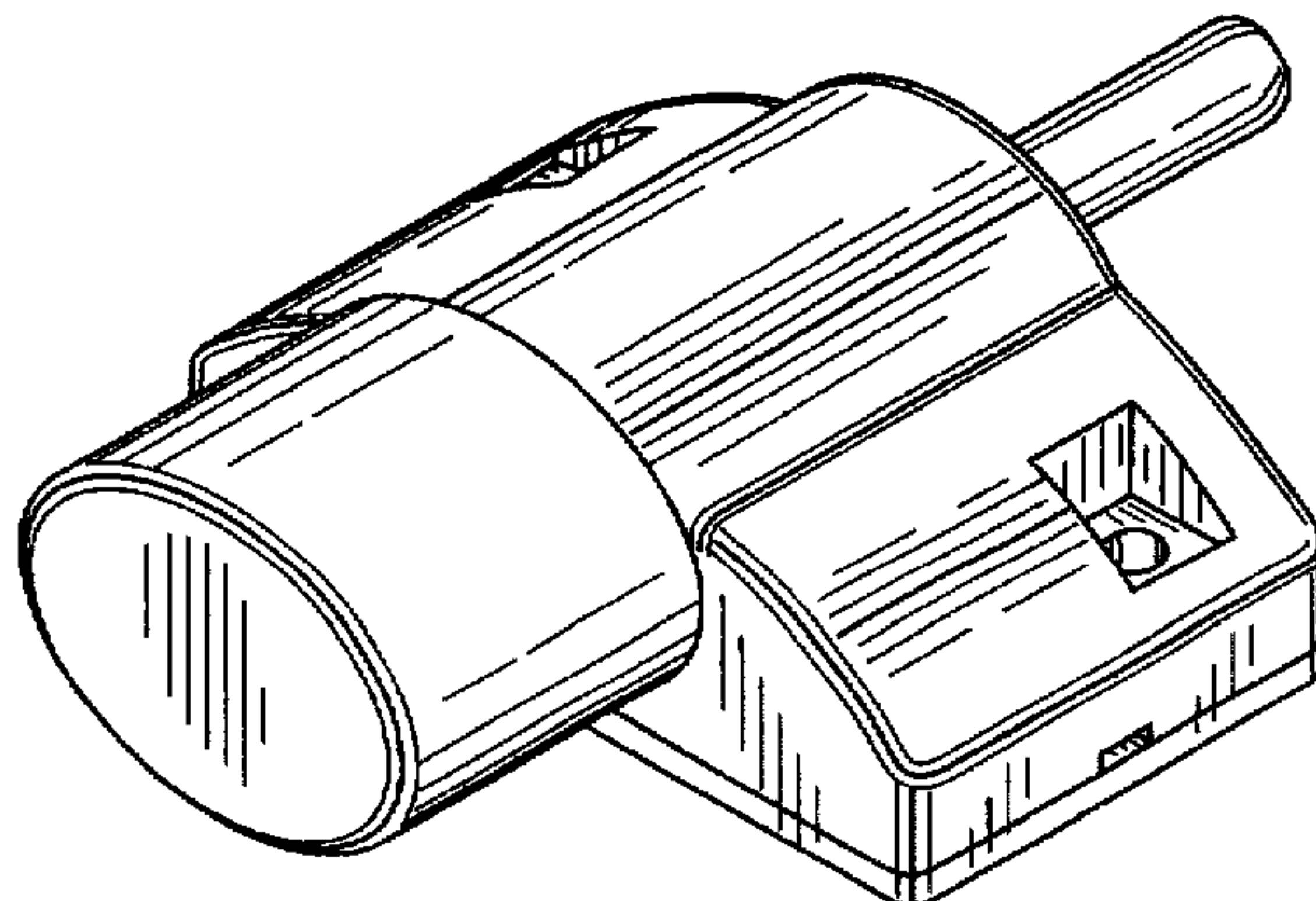
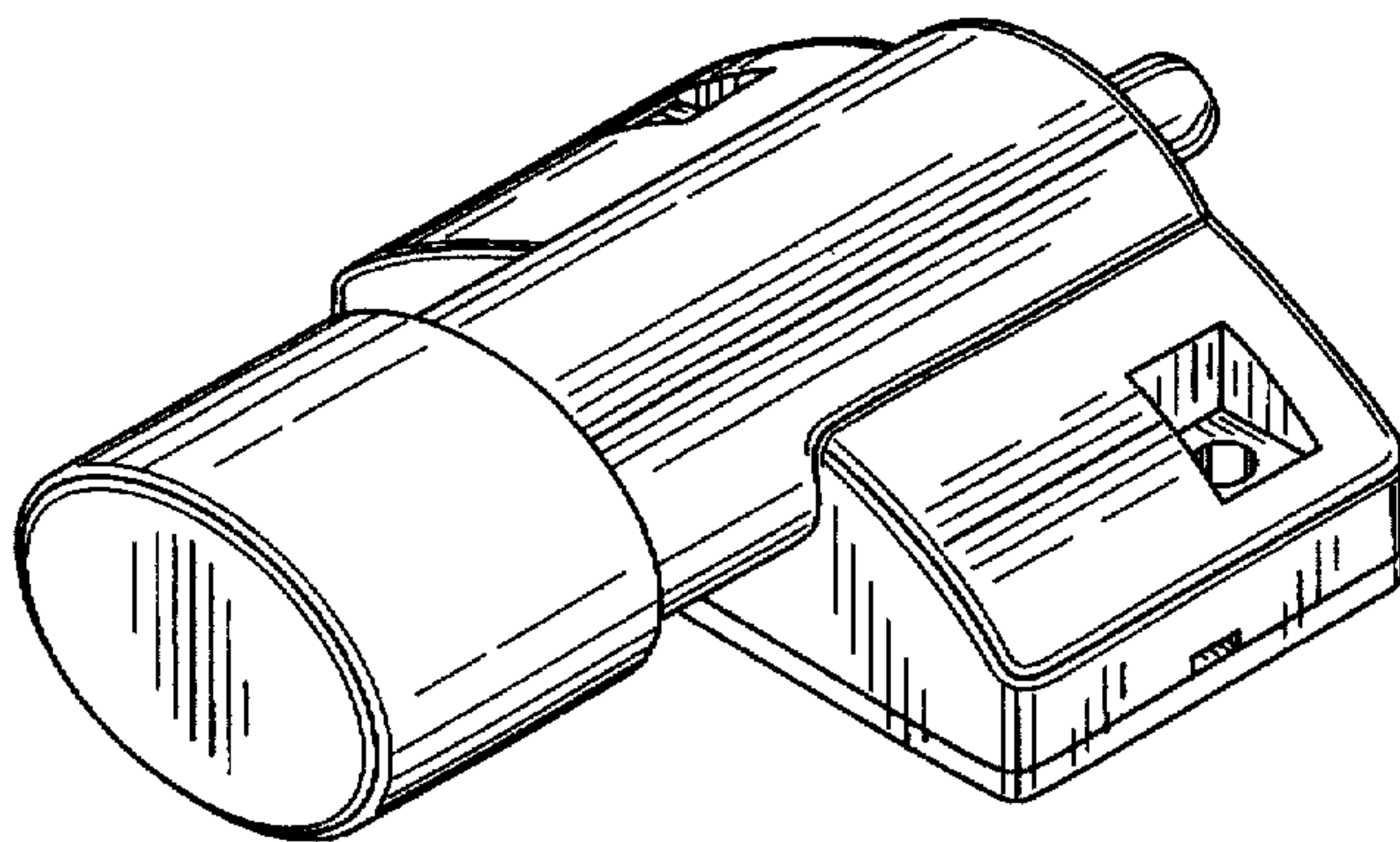


FIG. 1

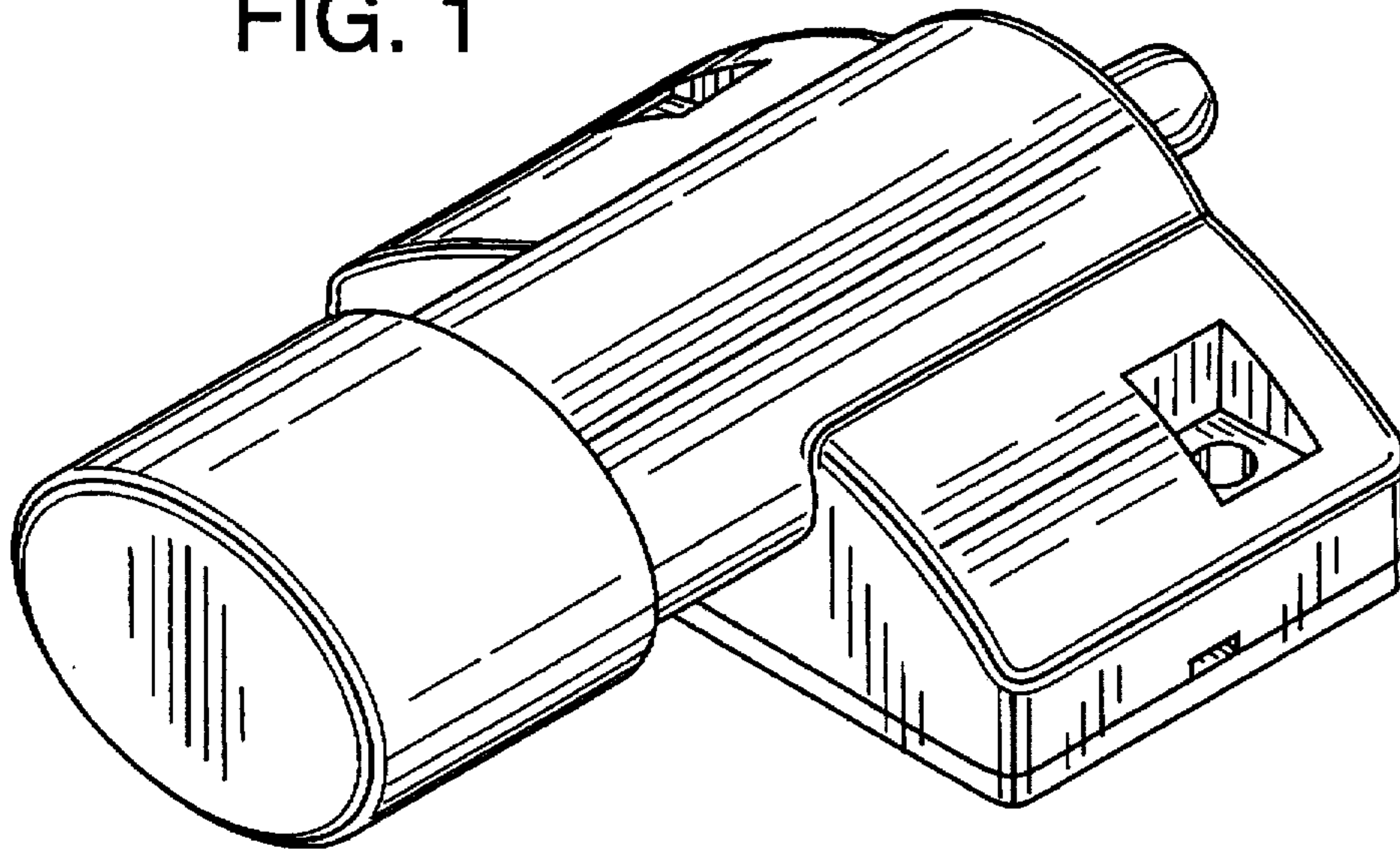


FIG. 2

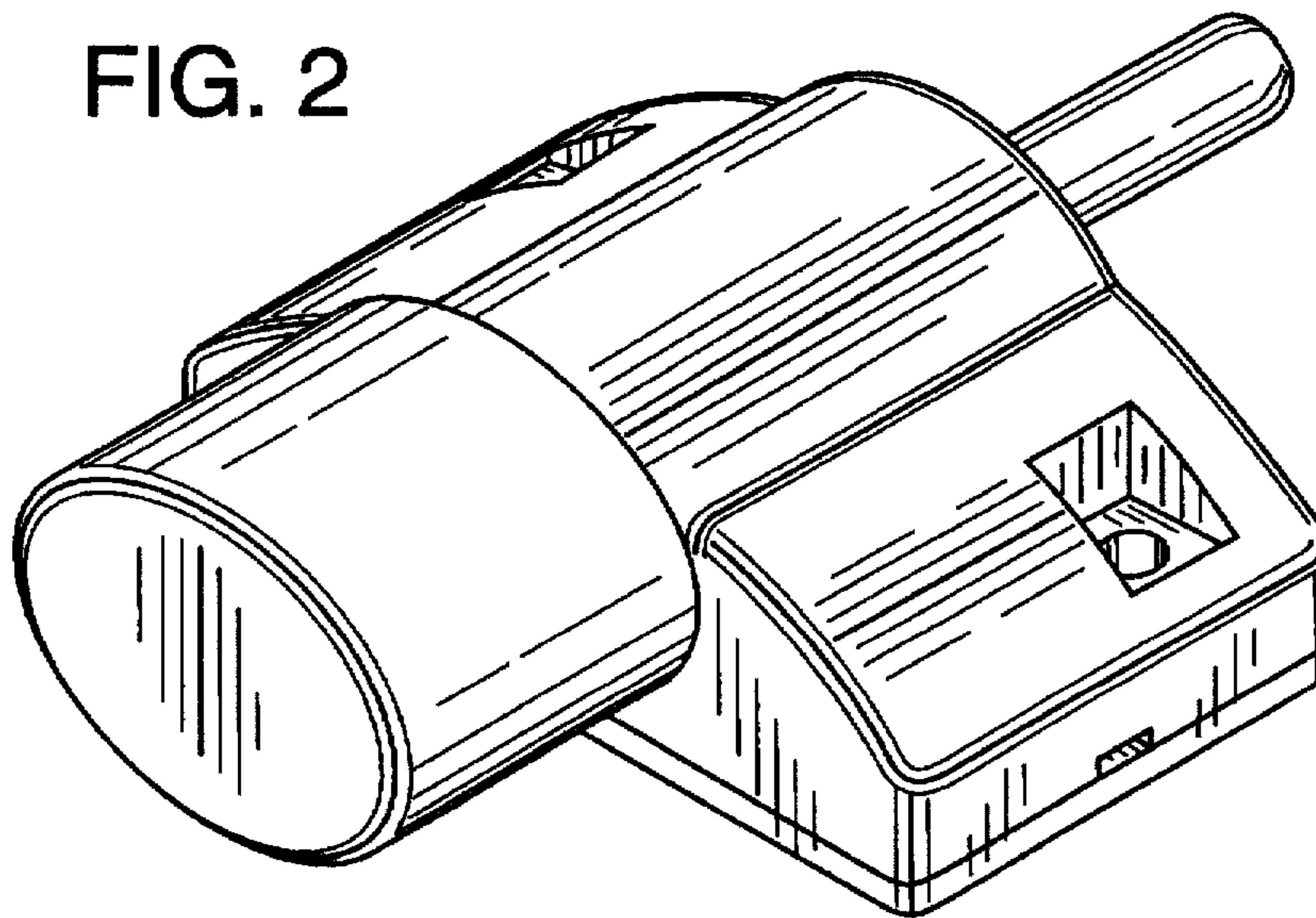


FIG. 3

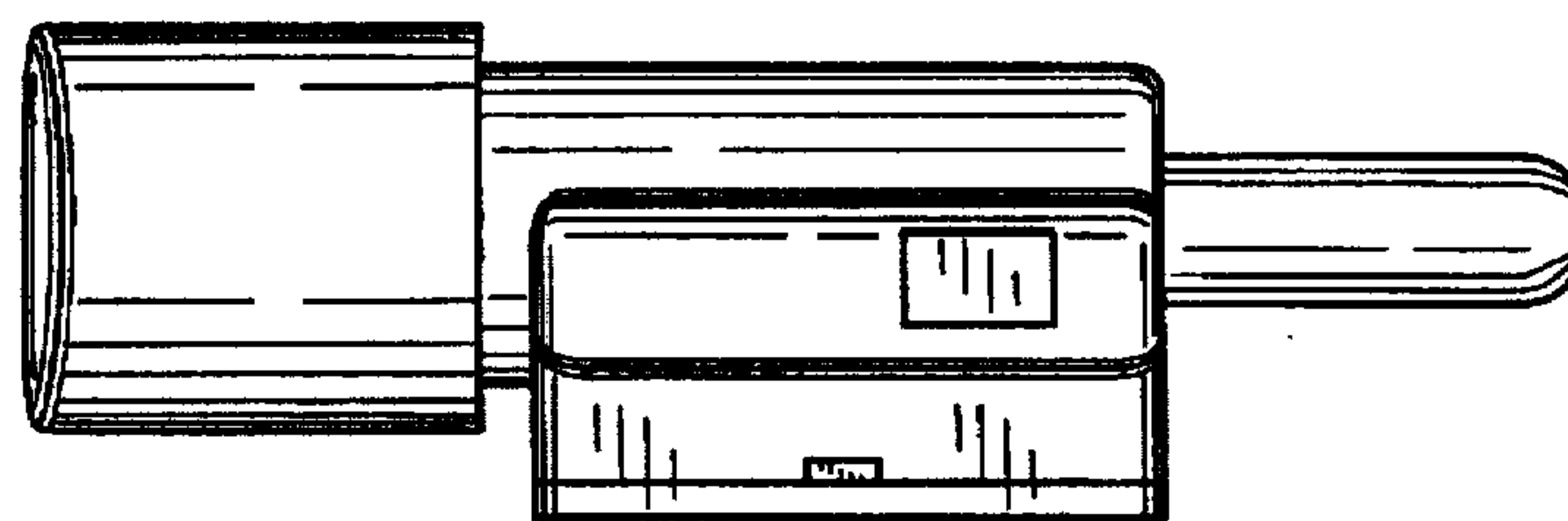


FIG. 4

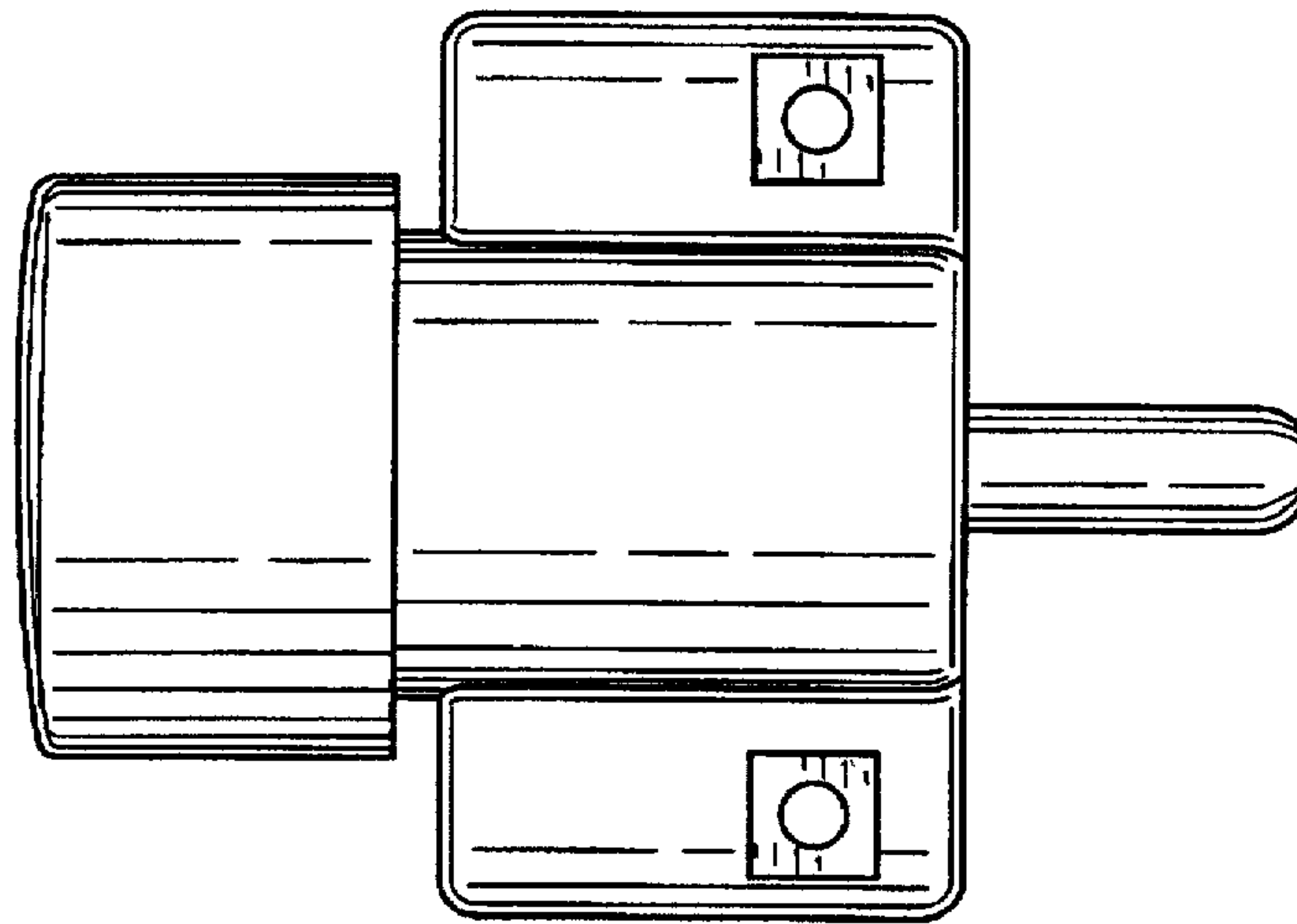


FIG. 5

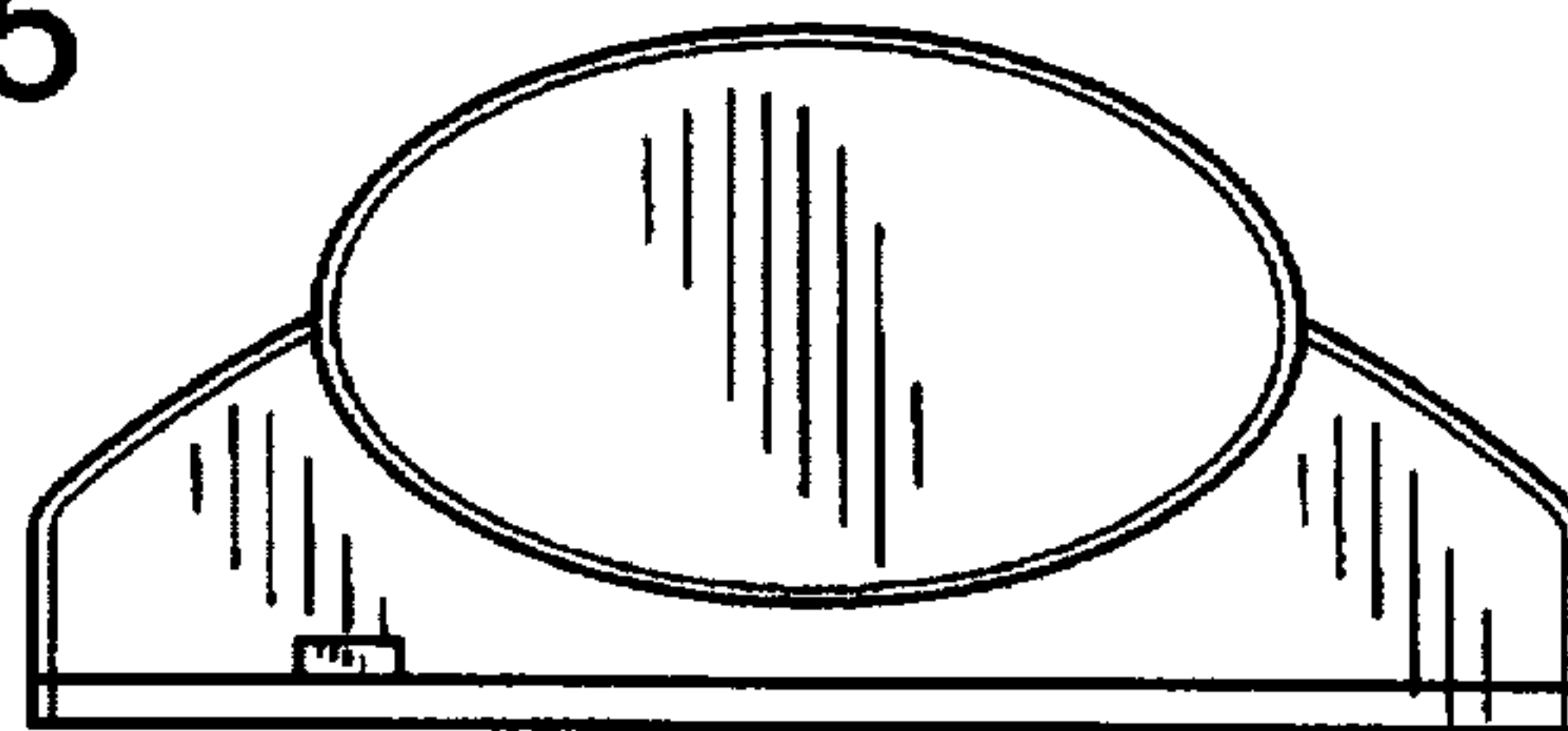


FIG. 6

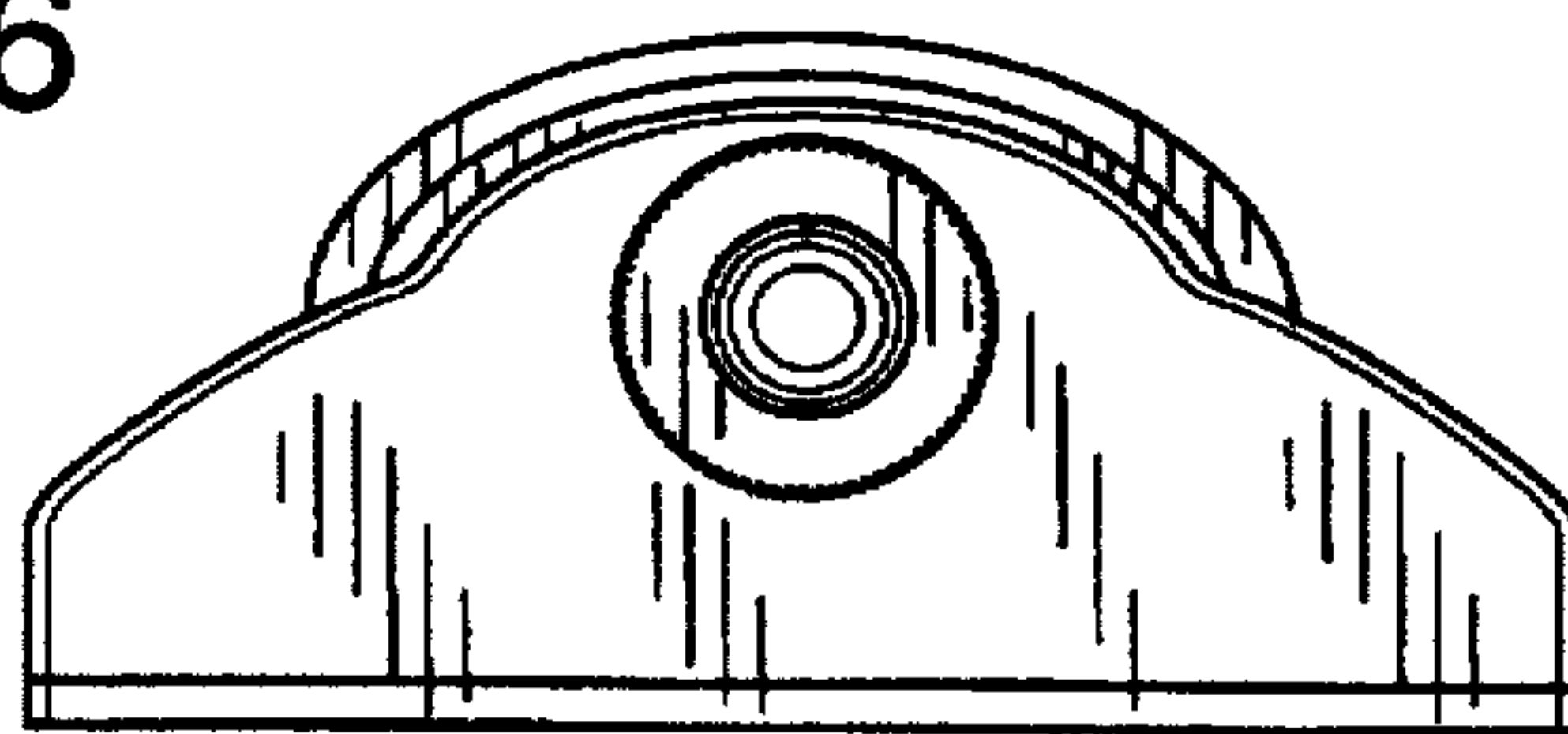


FIG. 7

