



US00D384873S

**United States Patent** [19]  
**Aquilina**

[11] **Patent Number: Des. 384,873**  
[45] **Date of Patent: \*\*Oct. 14, 1997**

[54] **TOOL HANDLE**

**DESCRIPTION**

[75] **Inventor: Paul C. Aquilina, Kitchener, Canada**  
[73] **Assignee: Melnor Canada Ltd., Brantford, Canada**  
[\*\*] **Term: 14 Years**  
[21] **Appl. No.: 59,665**  
[22] **Filed: Mar. 12, 1996**  
[51] **LOC (6) Cl. .... 08-01**  
[52] **U.S. Cl. .... D8/107**  
[58] **Field of Search .... D8/14, 10, 11, D8/8, 9, 107; 294/57, 58; 16/110 R, 114 R; 81/177.1**

FIG. 1 is a side perspective view of a first embodiment of the applicant's tool handle;  
FIG. 2 is a top view of the first embodiment shown in FIG. 1;  
FIG. 3 is a right side elevation view of the first embodiment shown in FIG. 1;  
FIG. 4 is a left side elevation view of the first embodiment shown in FIG. 1;  
FIG. 5 is a front view of the first embodiment shown in FIG. 1;  
FIG. 6 is a rear view of the first embodiment shown in FIG. 1; and,  
FIG. 7 is a bottom view of the first embodiment shown in FIG. 1;  
FIG. 8 is a side perspective view of a second embodiment of the applicant's tool handle;  
FIG. 9 is a top view of the second embodiment shown in FIG. 8;  
FIG. 10 is a right side elevation view of the second embodiment shown in FIG. 8;  
FIG. 11 is a left side elevation view of the second embodiment shown in FIG. 8;  
FIG. 12 is a front view of the second embodiment shown in FIG. 8;  
FIG. 13 is a rear view of the second embodiment shown in FIG. 8; and,  
FIG. 14 is a bottom view of the first embodiment shown in FIG. 8.  
The broken line portions of the drawings are for illustrative purposes only and form no part of the claimed design.

[56] **References Cited**

**U.S. PATENT DOCUMENTS**

D. 270,612	9/1983	Storlie	.....	D8/10
D. 314,318	2/1991	Unimonen	.....	D8/10
D. 362,601	9/1995	Jackson	.....	D8/9
5,133,582	7/1992	Rocha	.....	16/114 R
5,431,468	7/1995	Rosenshine	.....	294/58
5,447,349	9/1995	Coble	.....	294/58

**OTHER PUBLICATIONS**

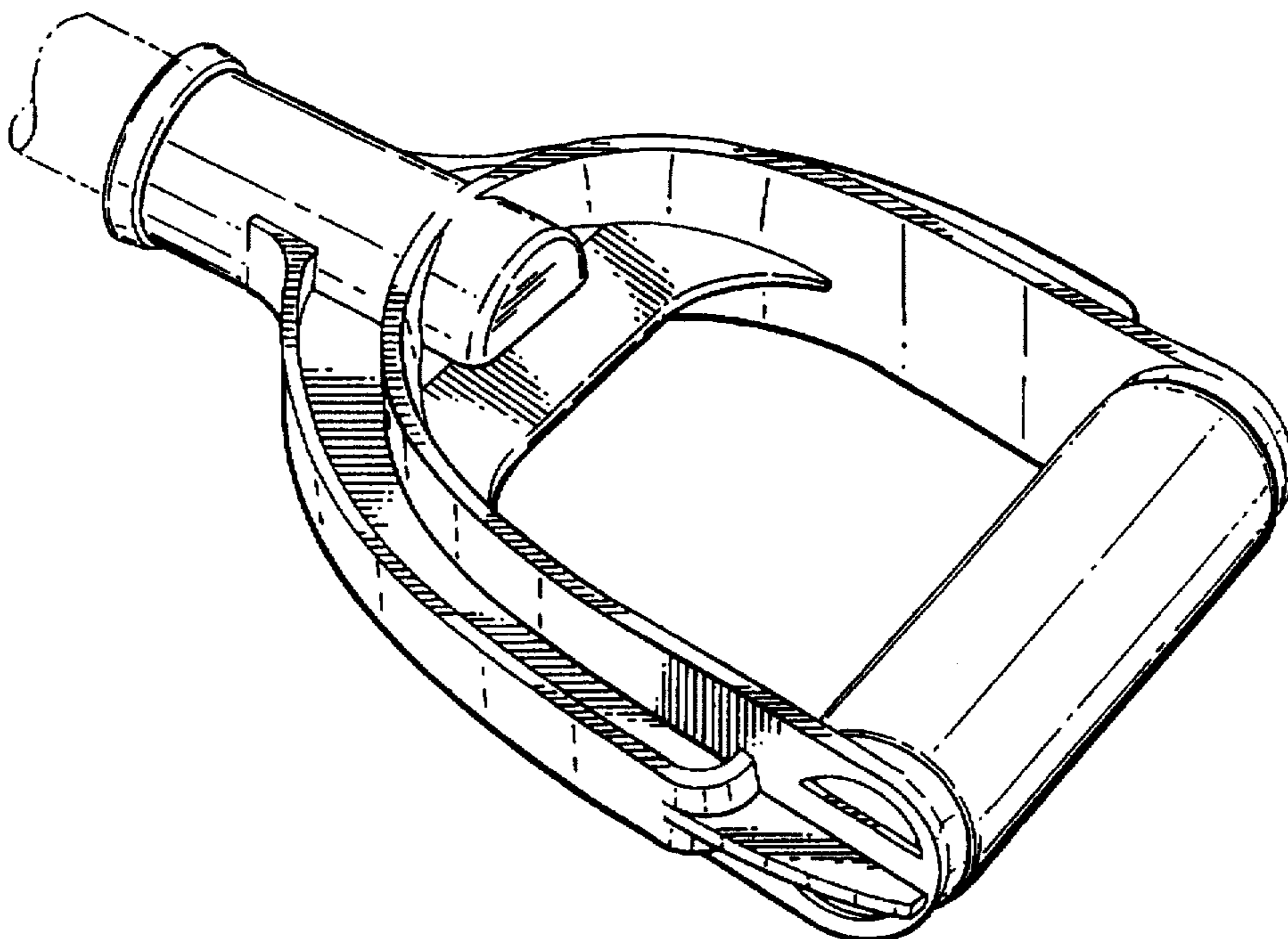
Union Fork And Hoe Company Catalog, p. 18, Shovel Handles Dec. 1986.

*Primary Examiner*—Philip S. Hyder  
*Attorney, Agent, or Firm*—D. Doak Horne; Arne I. Fors; Jeffrey T. Imai

[57] **CLAIM**

The ornamental design for a tool handle, as shown.

**1 Claim, 6 Drawing Sheets**



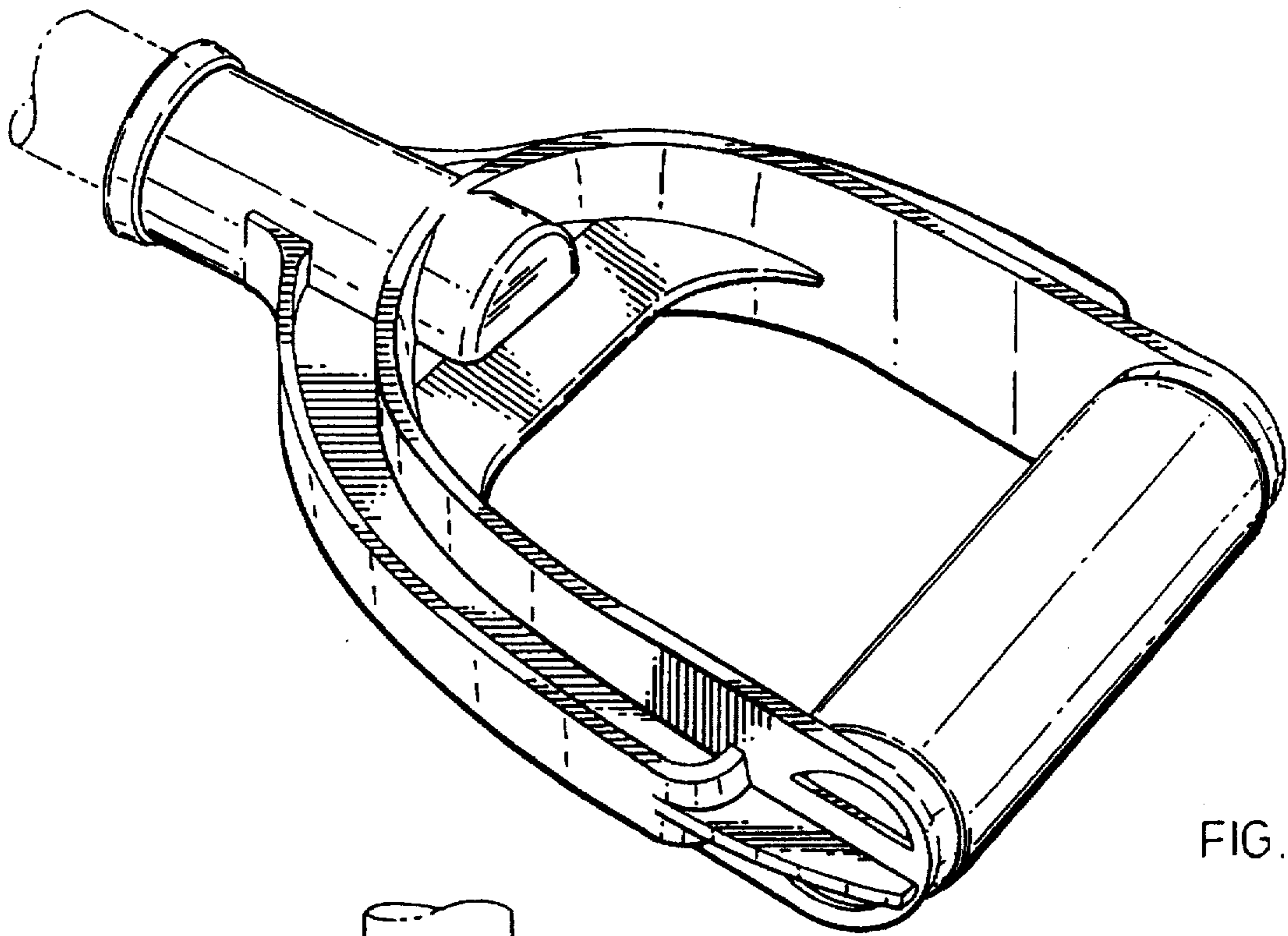


FIG. 1.

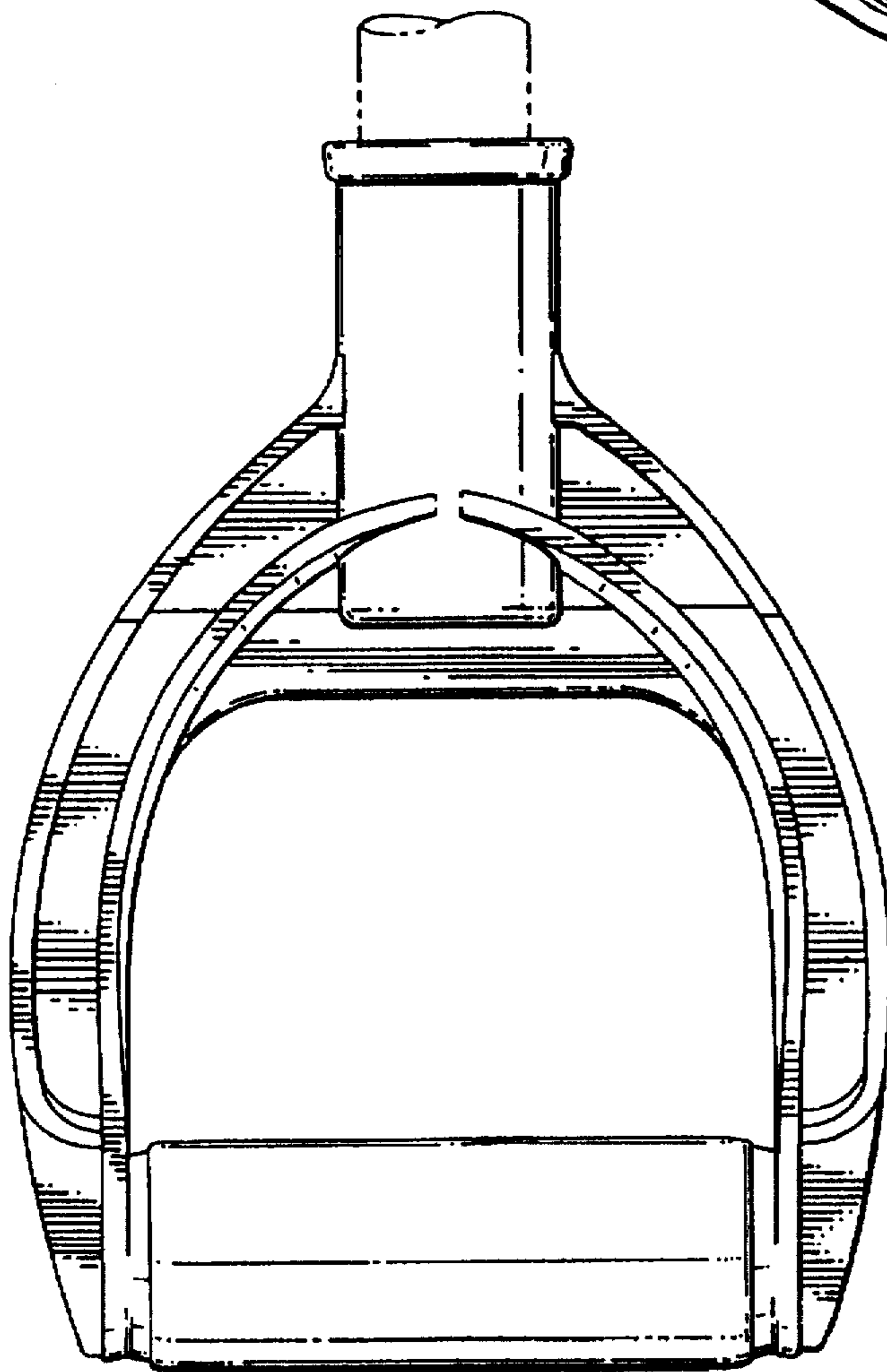


FIG. 2.

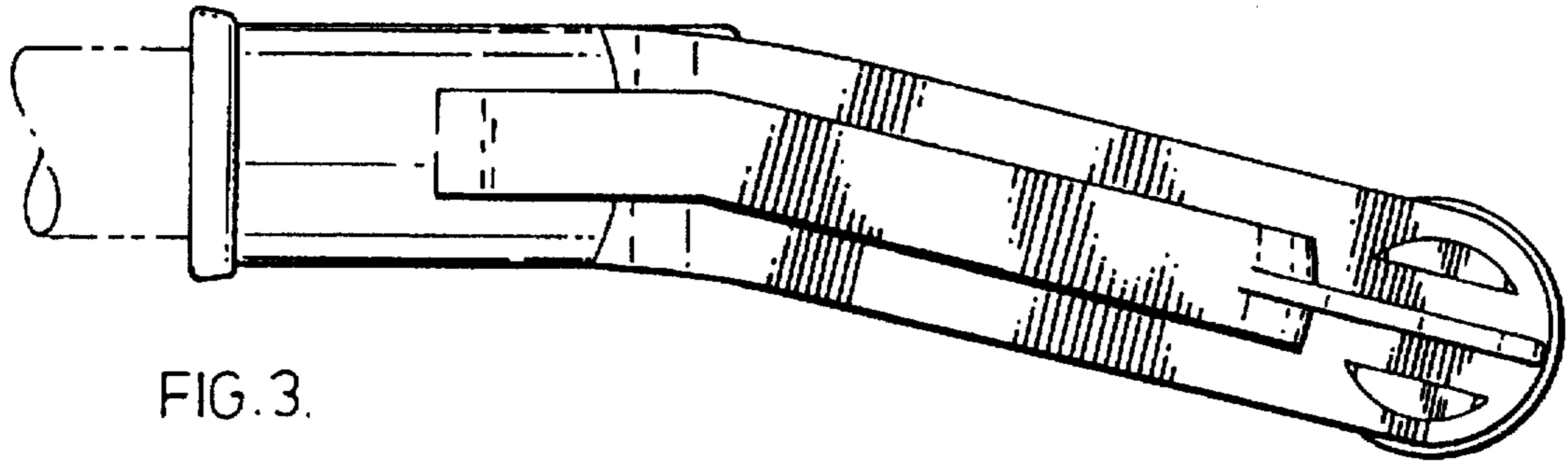


FIG. 3.

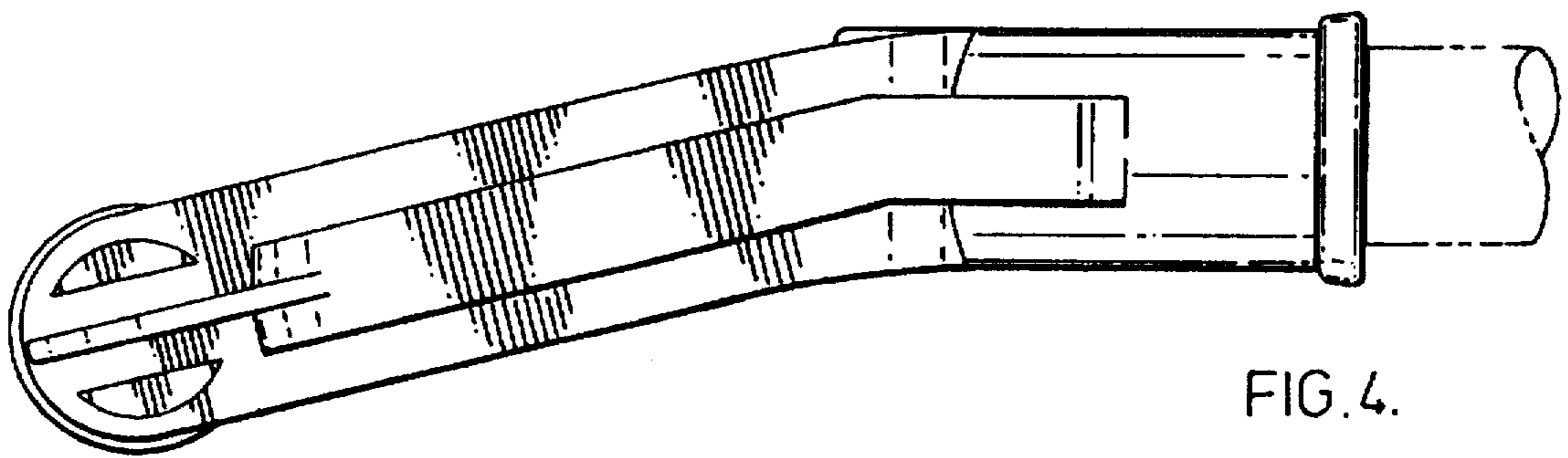


FIG. 4.

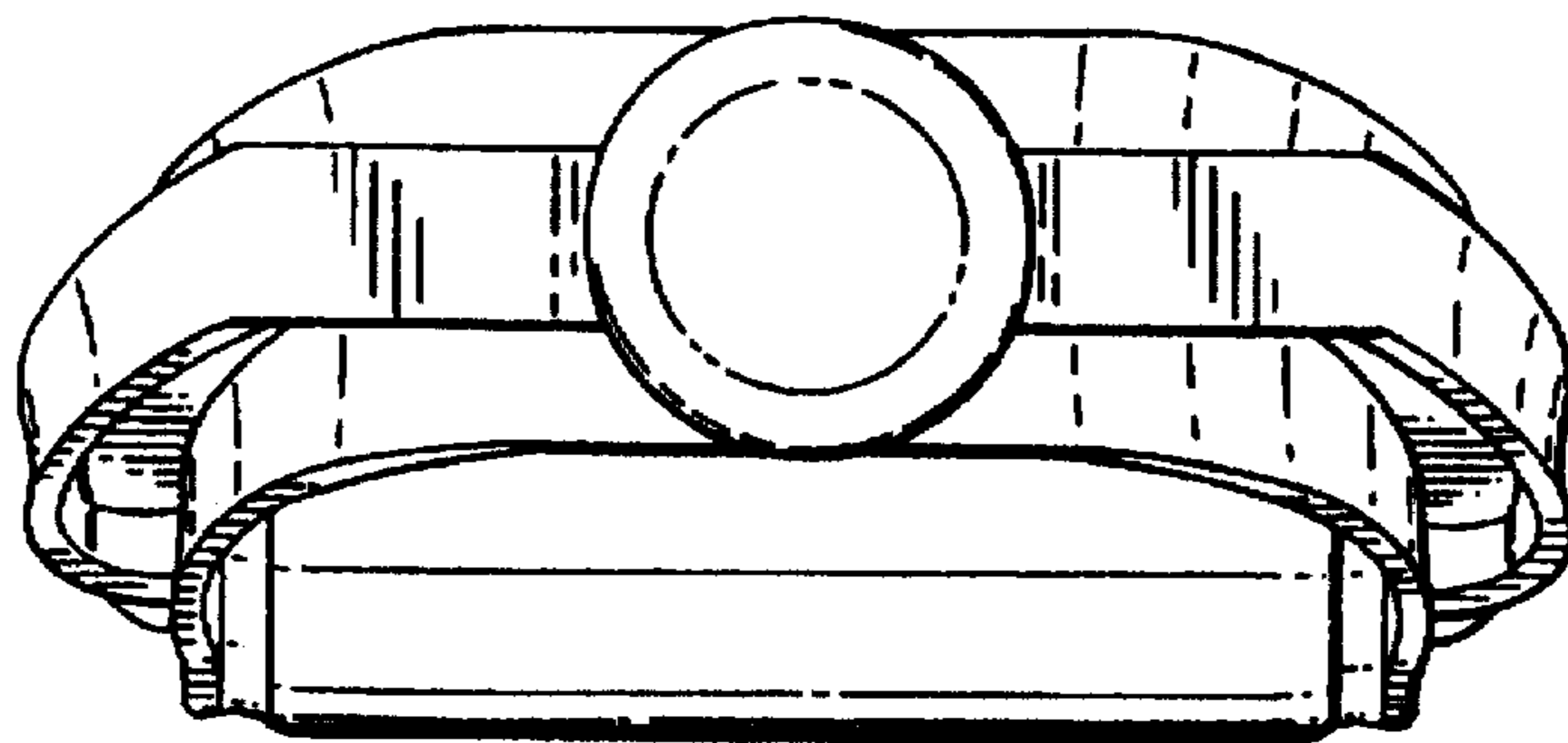


FIG. 5.



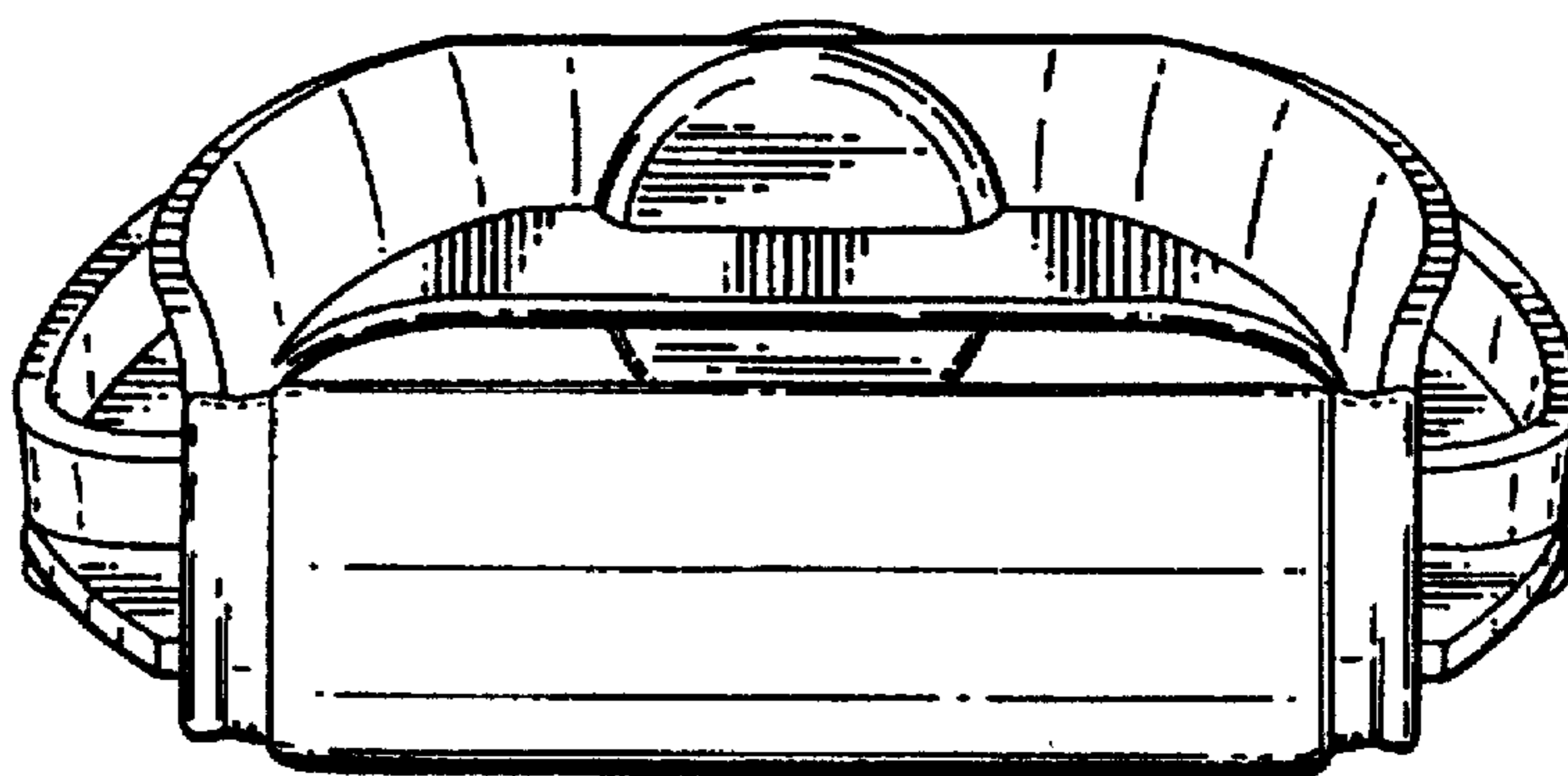


FIG. 6.

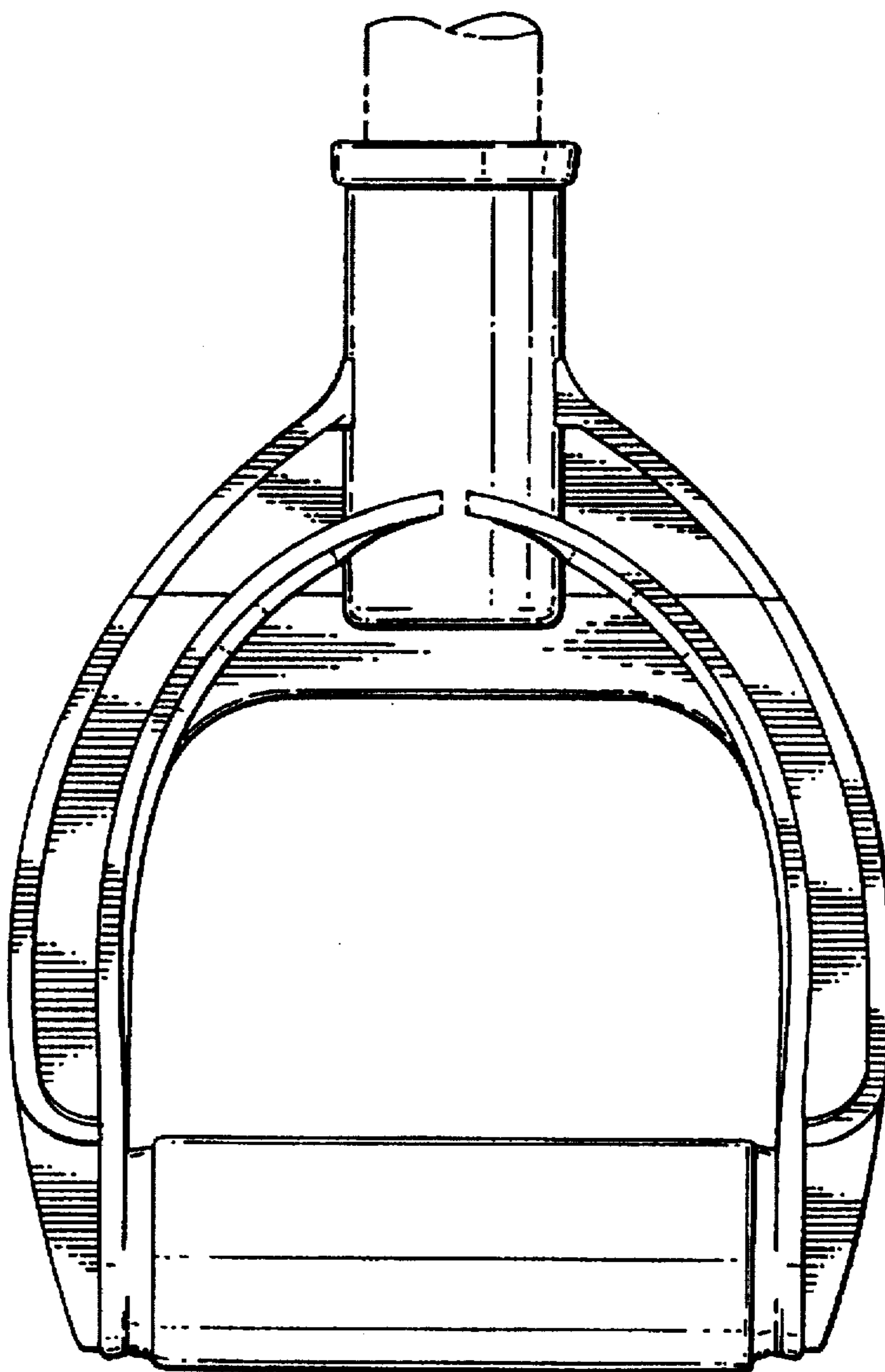


FIG. 7.

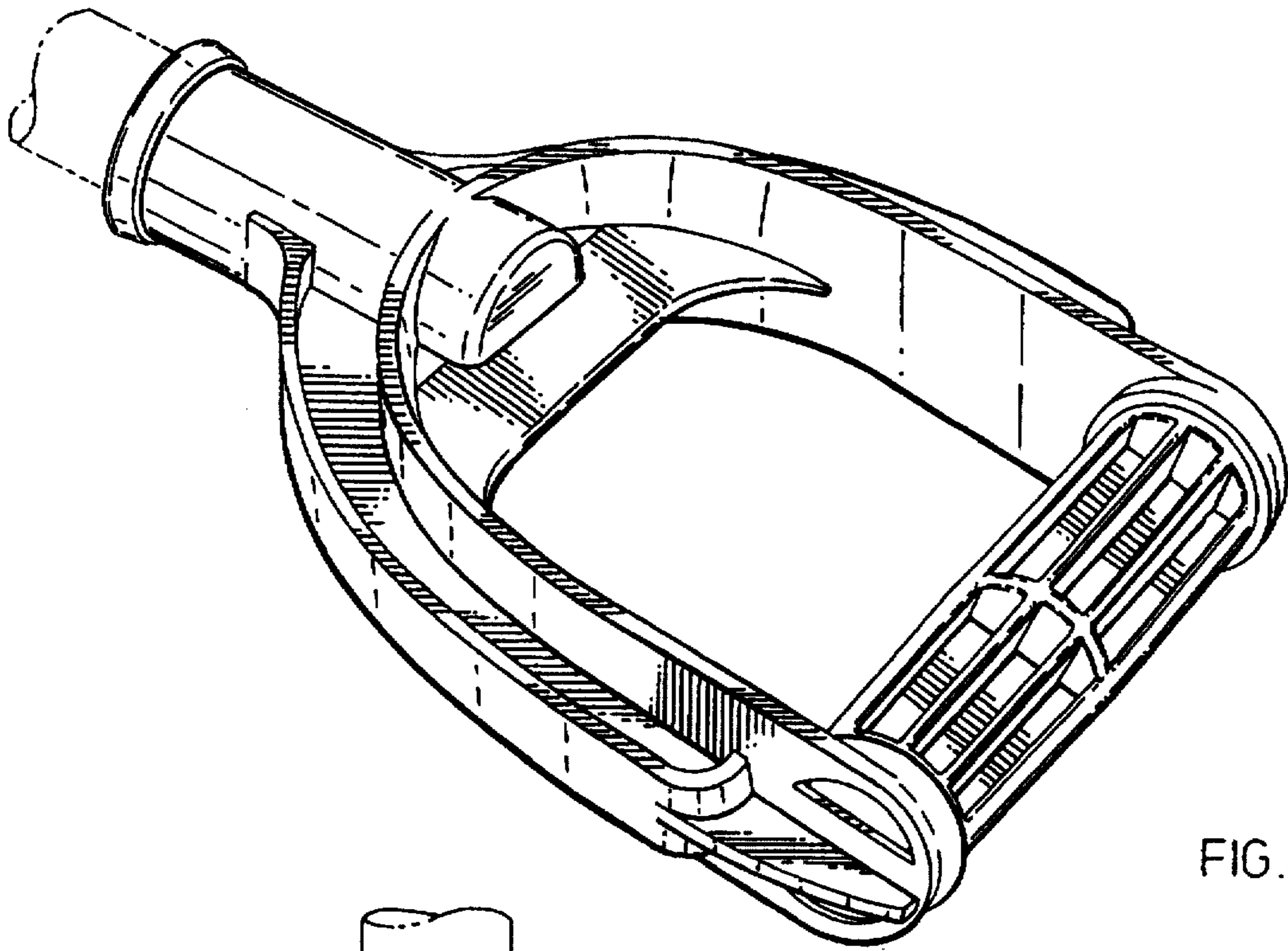


FIG. 8.

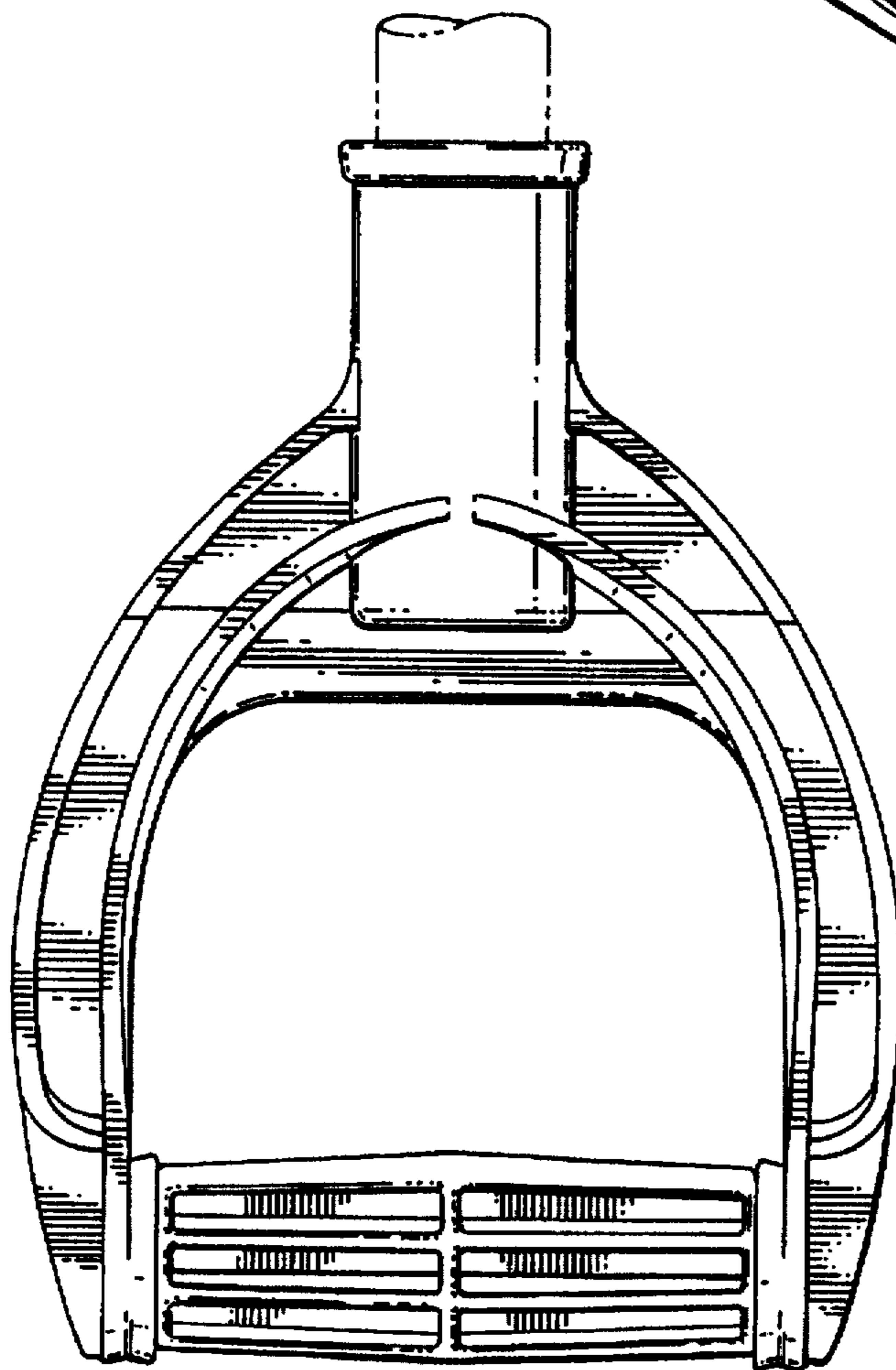


FIG. 9.

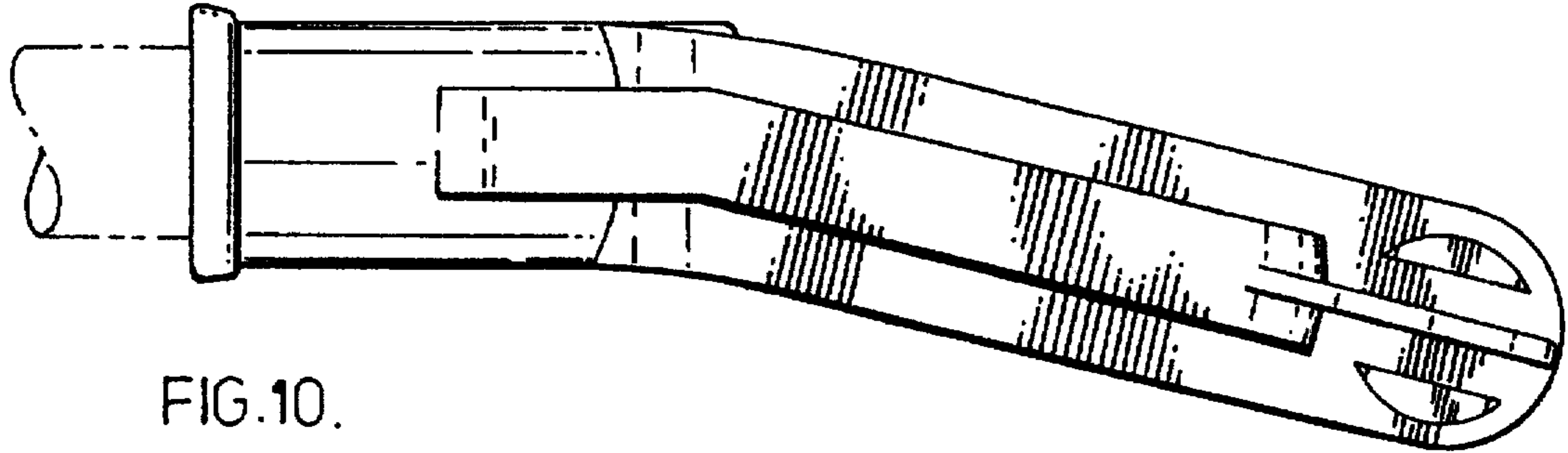


FIG.10.

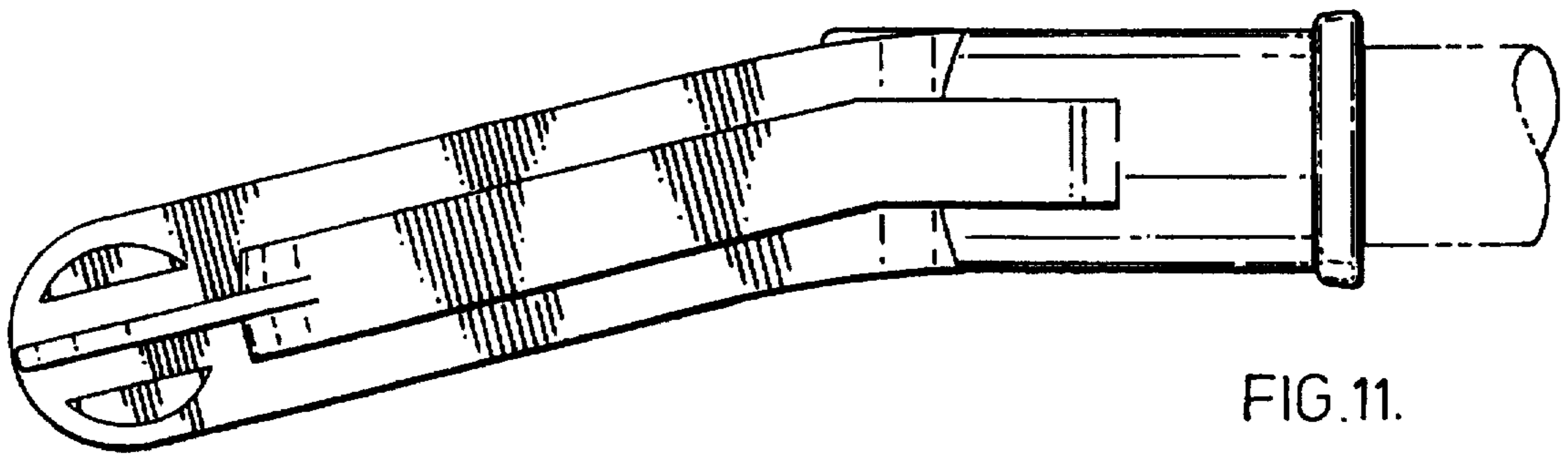


FIG.11.

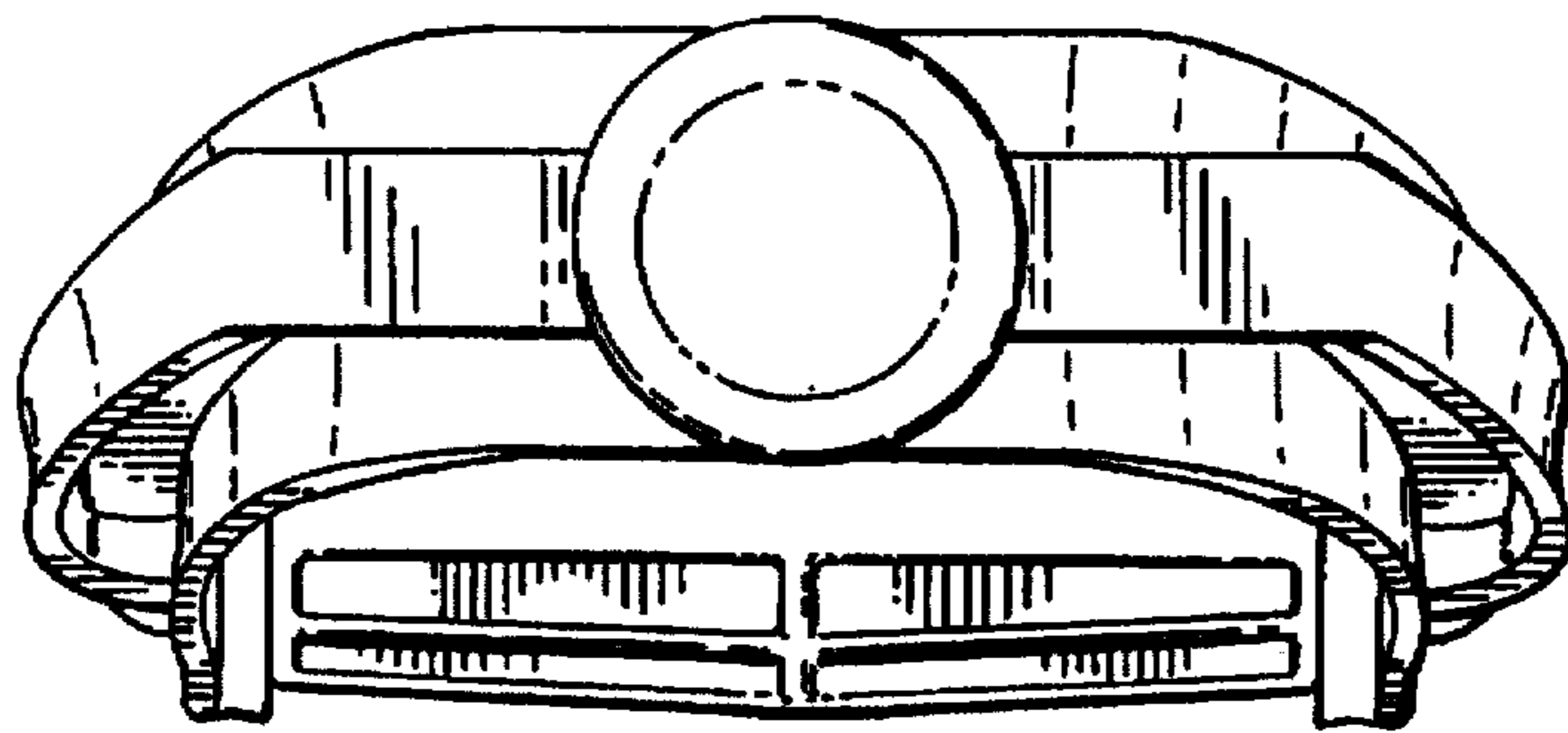


FIG.12.

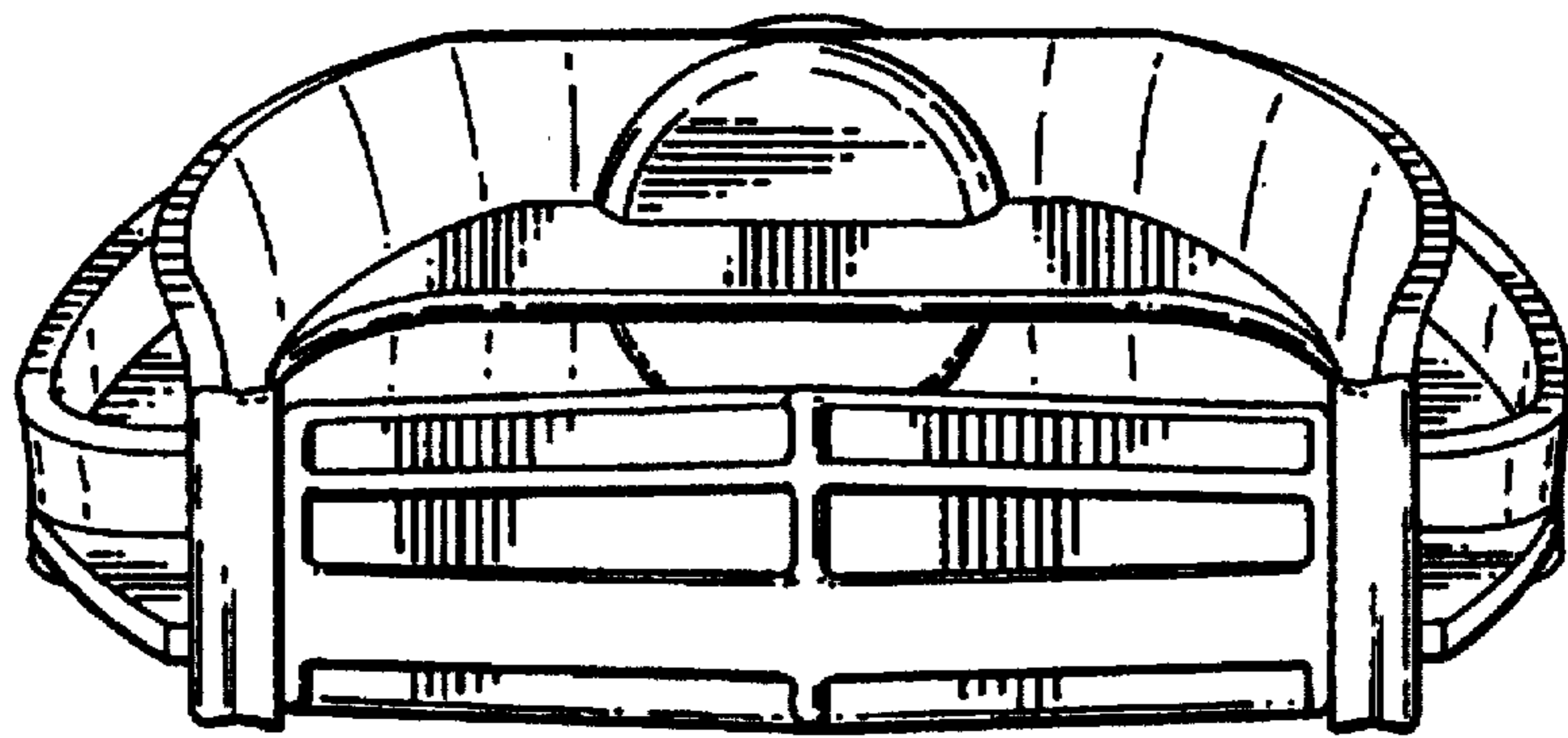


FIG. 13.

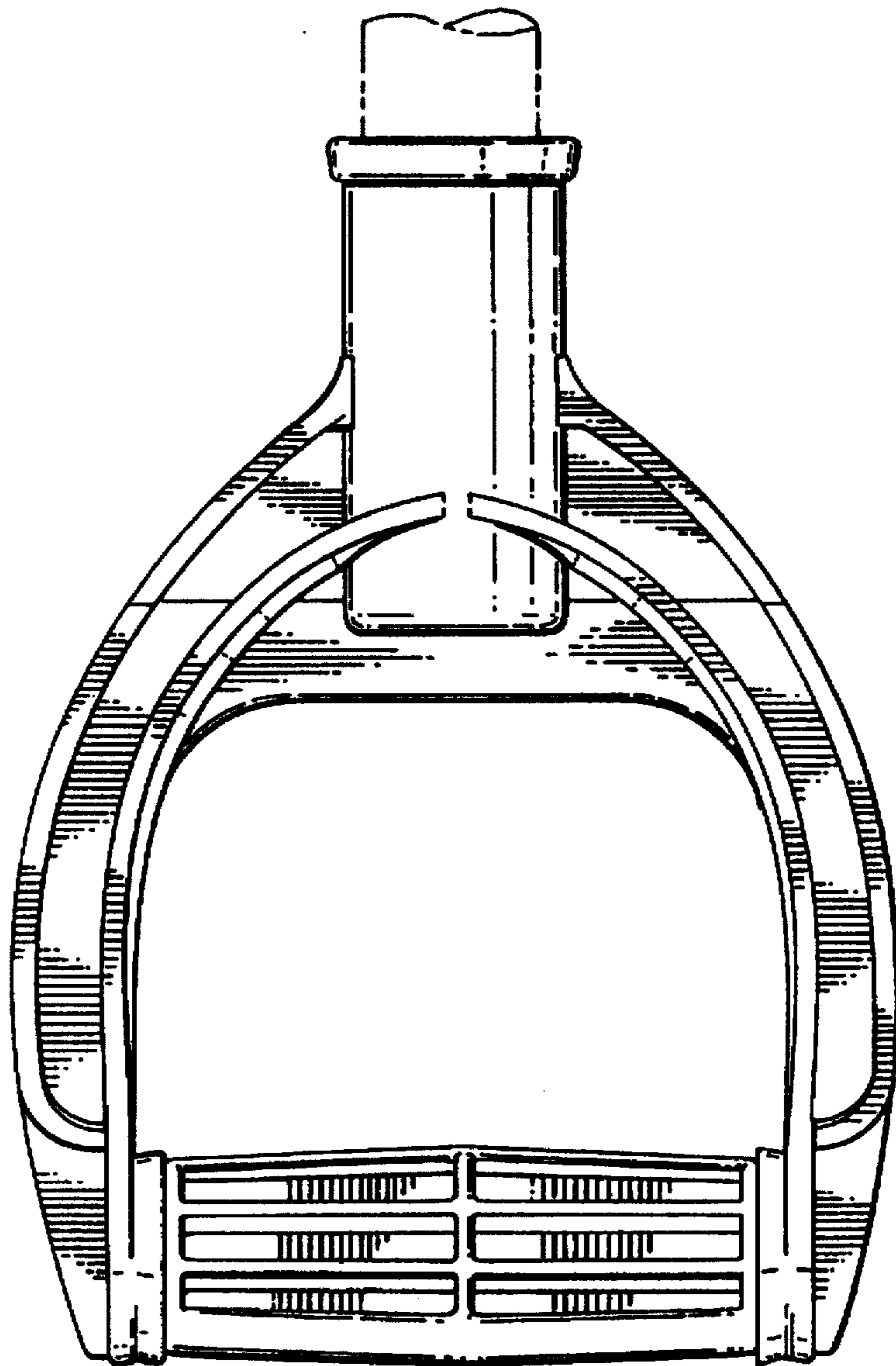


FIG. 14.