

US00D384870S

**United States Patent** [19]  
**Yamaguchi**

[11] **Patent Number: Des. 384,870**

[45] **Date of Patent: \*\*Oct. 14, 1997**

[54] **PORTABLE ELECTRICAL BELT SANDER**

4,986,036 1/1991 Hutchins .

5,333,414 8/1994 Lee ..... 451/355

[75] **Inventor: Munenori Yamaguchi, Tokyo, Japan**

[73] **Assignee: Nitto Kohki Co., Ltd., Tokyo, Japan**

[\*\*] **Term: 14 Years**

*Primary Examiner*—Antoine Duval Davis  
*Attorney, Agent, or Firm*—Wenderoth, Lind & Ponack

[21] **Appl. No.: 58,086**

[57] **CLAIM**

The ornamental design for portable electrical belt sander, as shown.

[22] **Filed: Aug. 7, 1996**

**DESCRIPTION**

[30] **Foreign Application Priority Data**

Mar. 8, 1996 [JP] Japan ..... 8-6455

FIG. 1 is a perspective view taken from the top, front and left side of the portable electrical belt sander embodying my new design;

[51] **LOC (6) Cl. .... 08-01**

FIG. 2 is a front view thereof;

[52] **U.S. Cl. .... D8/62**

FIG. 3 is a top view thereof;

[58] **Field of Search .... D8/62; 451/456,**

FIG. 4 is a bottom plan view thereof;

451/355, 354, 358

FIG. 5 is a rear view thereof;

FIG. 6 is a left side view thereof;

FIG. 7 is a right side view thereof;

FIG. 8 is a front view showing the guide plate in the upward position; and,

FIG. 9 is a side view showing the guide plate in the upward position.

[56] **References Cited**

**U.S. PATENT DOCUMENTS**

D. 321,465 11/1991 Mikiya ..... D8/62

D. 335,618 5/1993 Mogaki .

3,755,972 9/1973 Mogaki et al. .

4,854,085 8/1989 Huber .

**1 Claim, 4 Drawing Sheets**

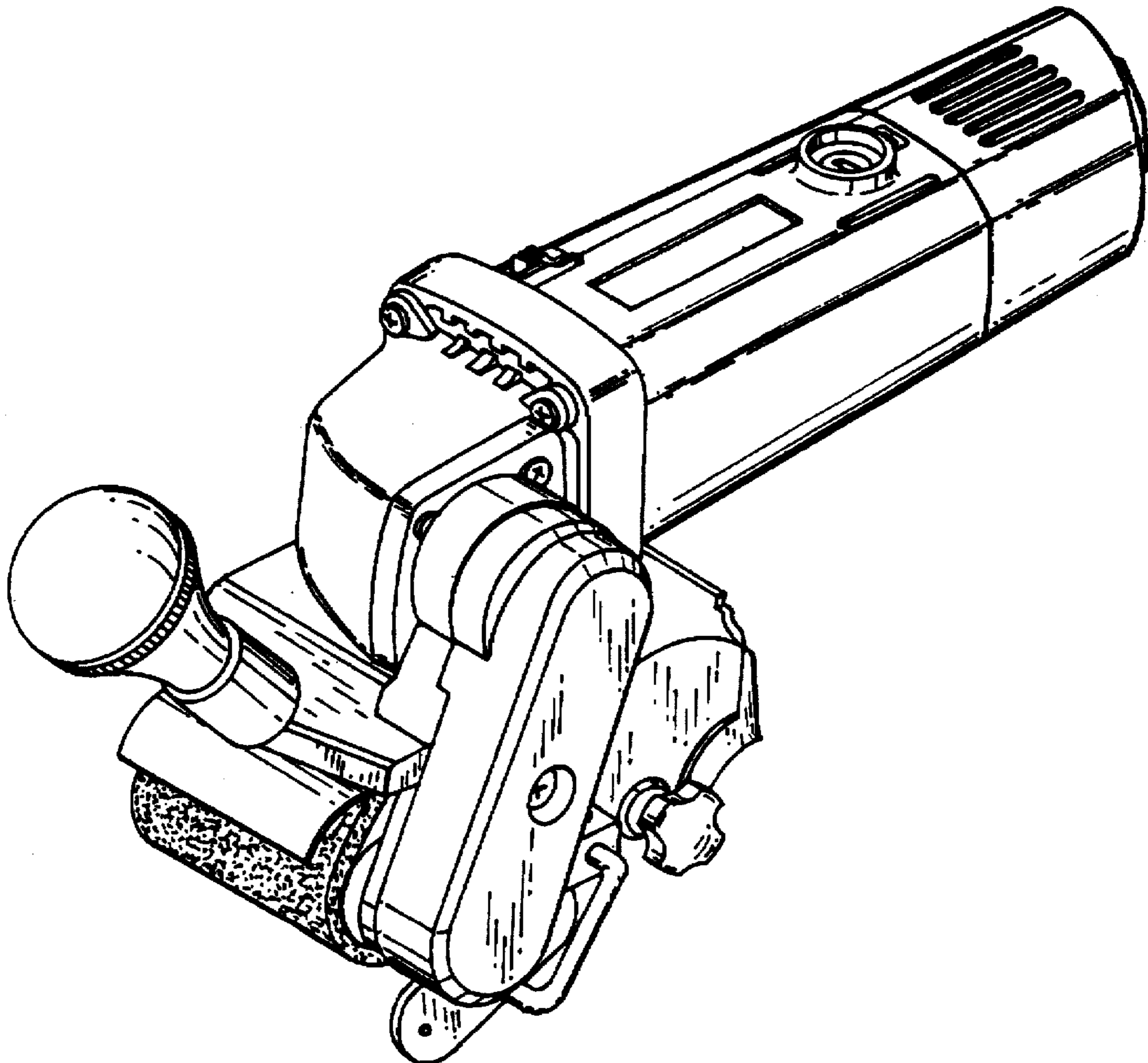


FIG. 1

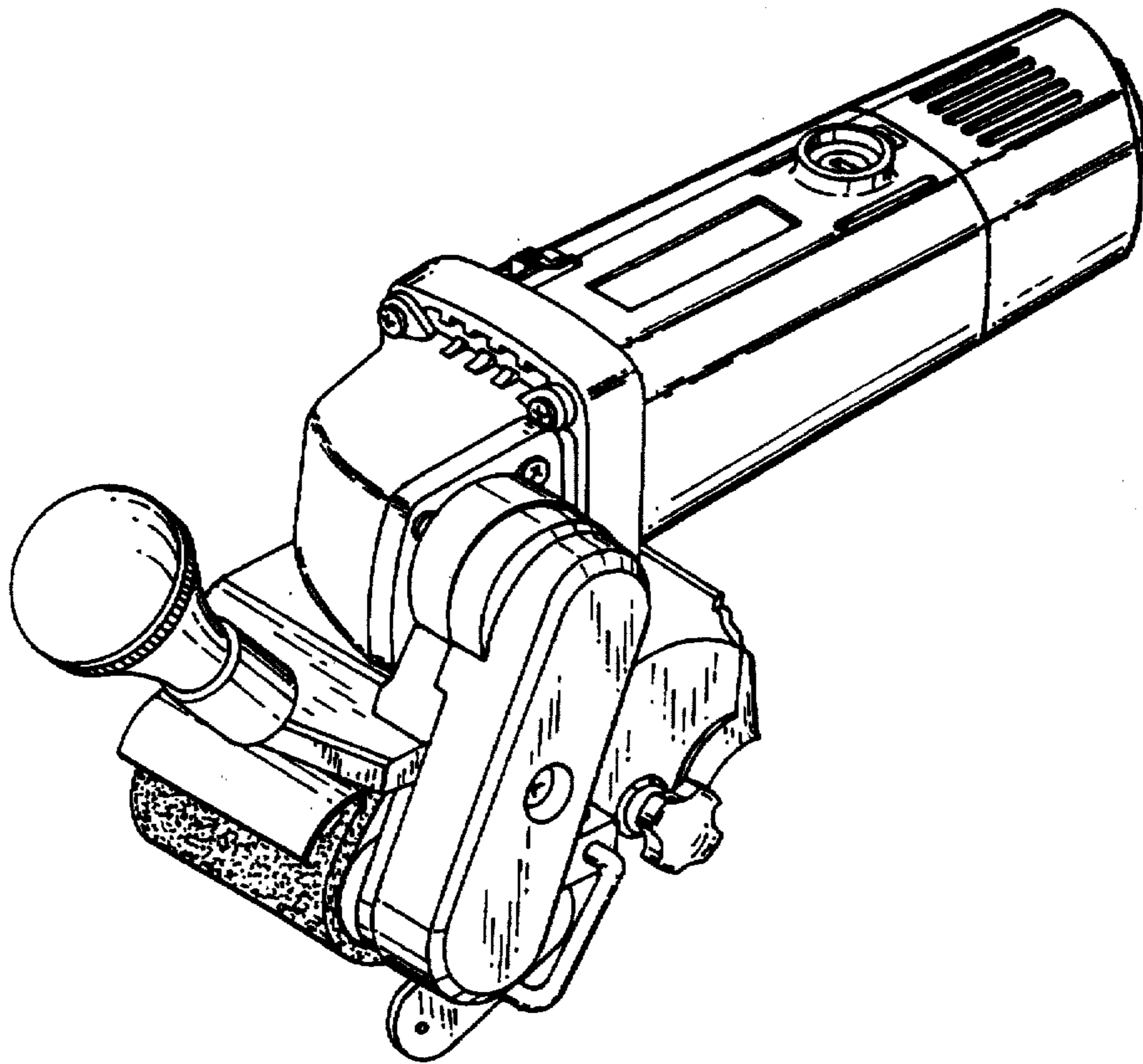


FIG. 2

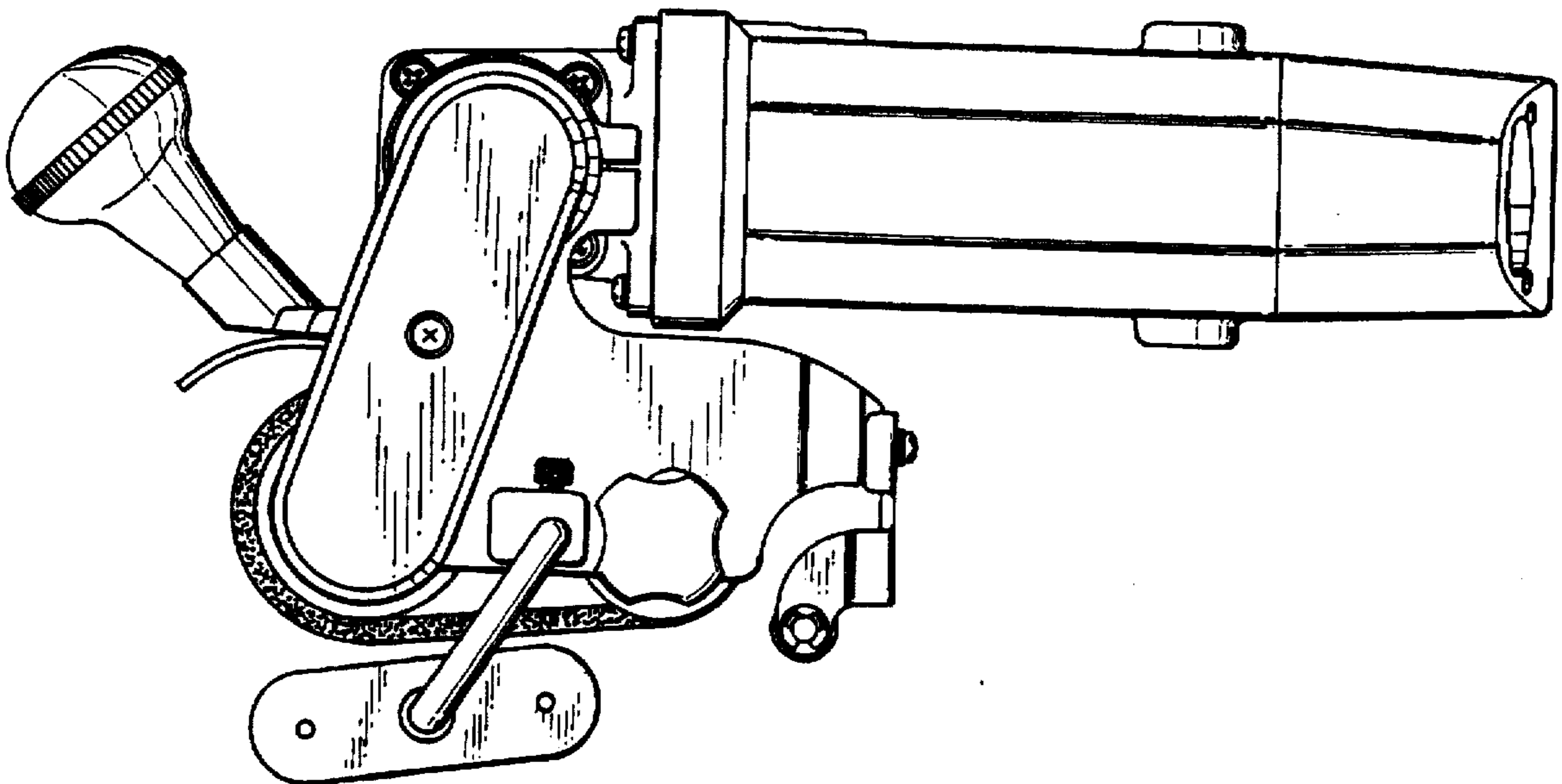


FIG. 3

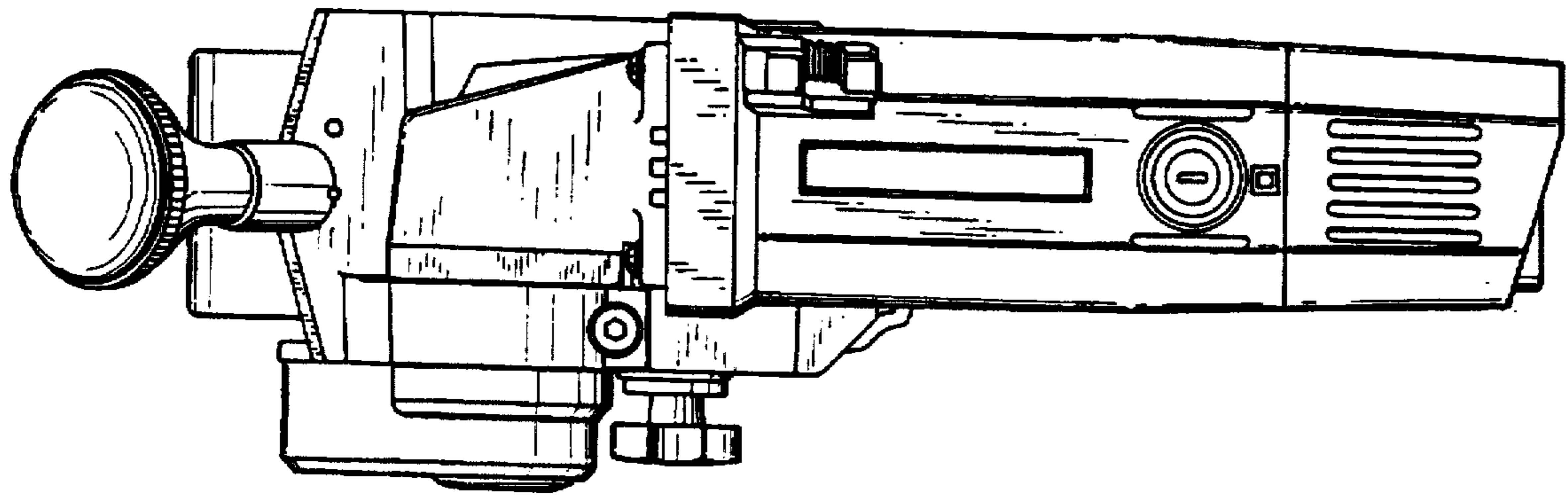


FIG. 4

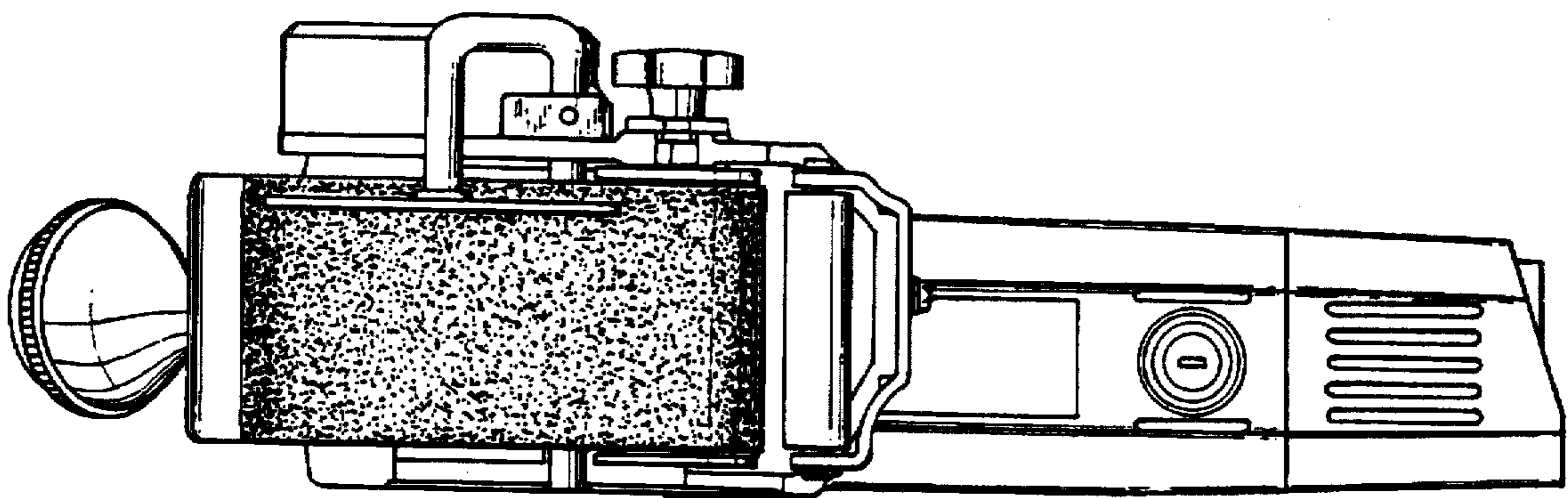


FIG. 5

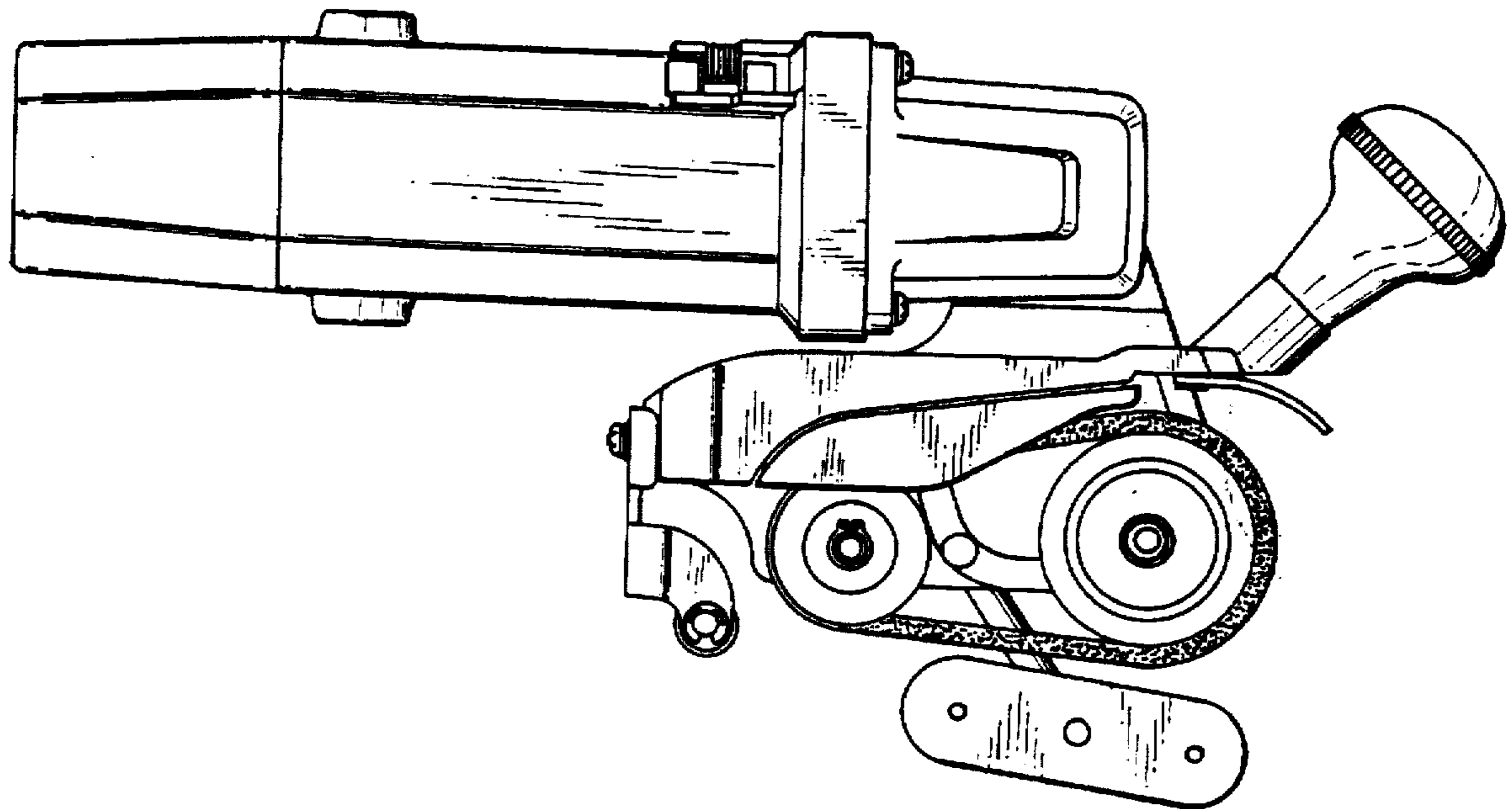


FIG. 6

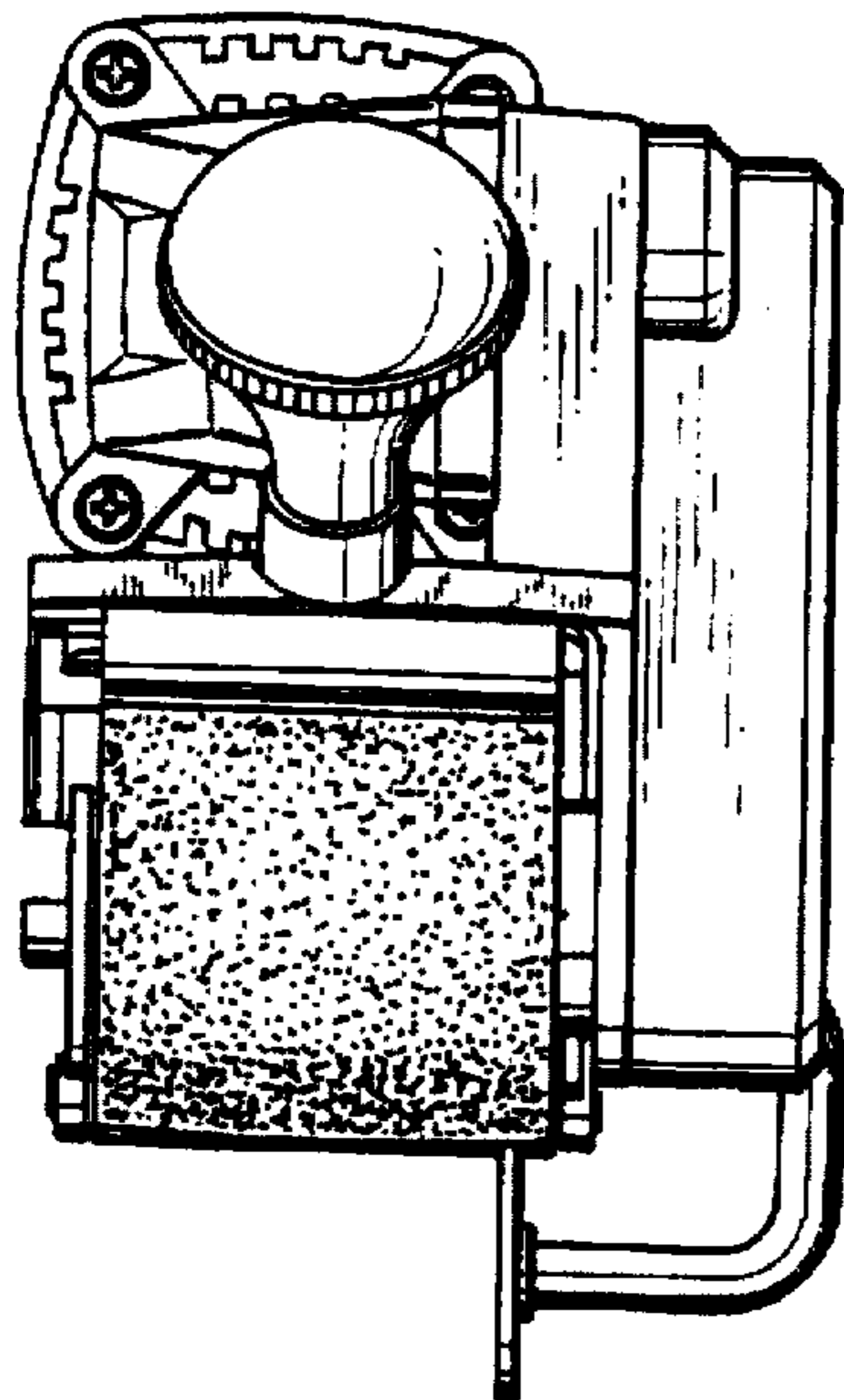


FIG. 7

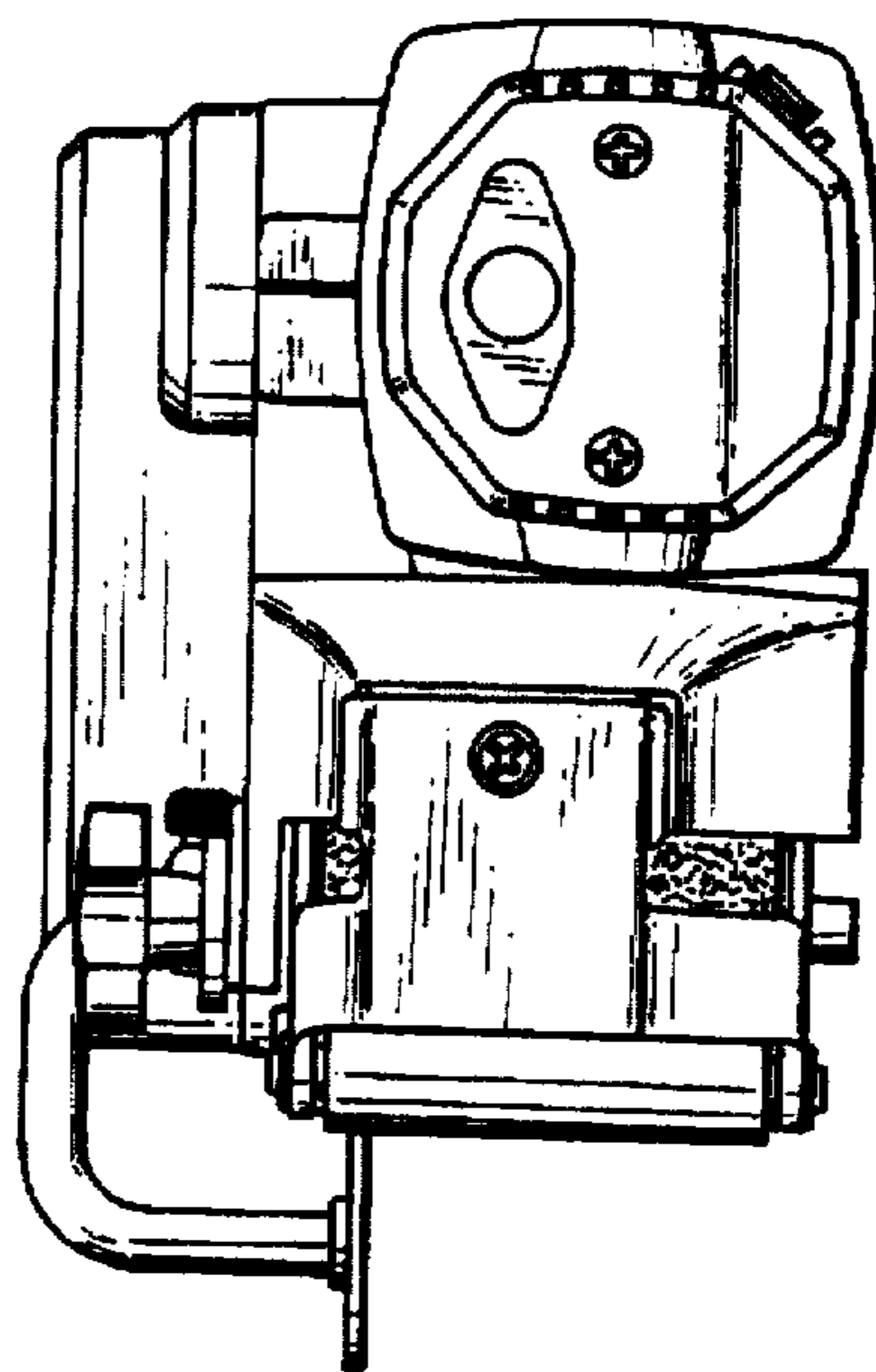


FIG. 8

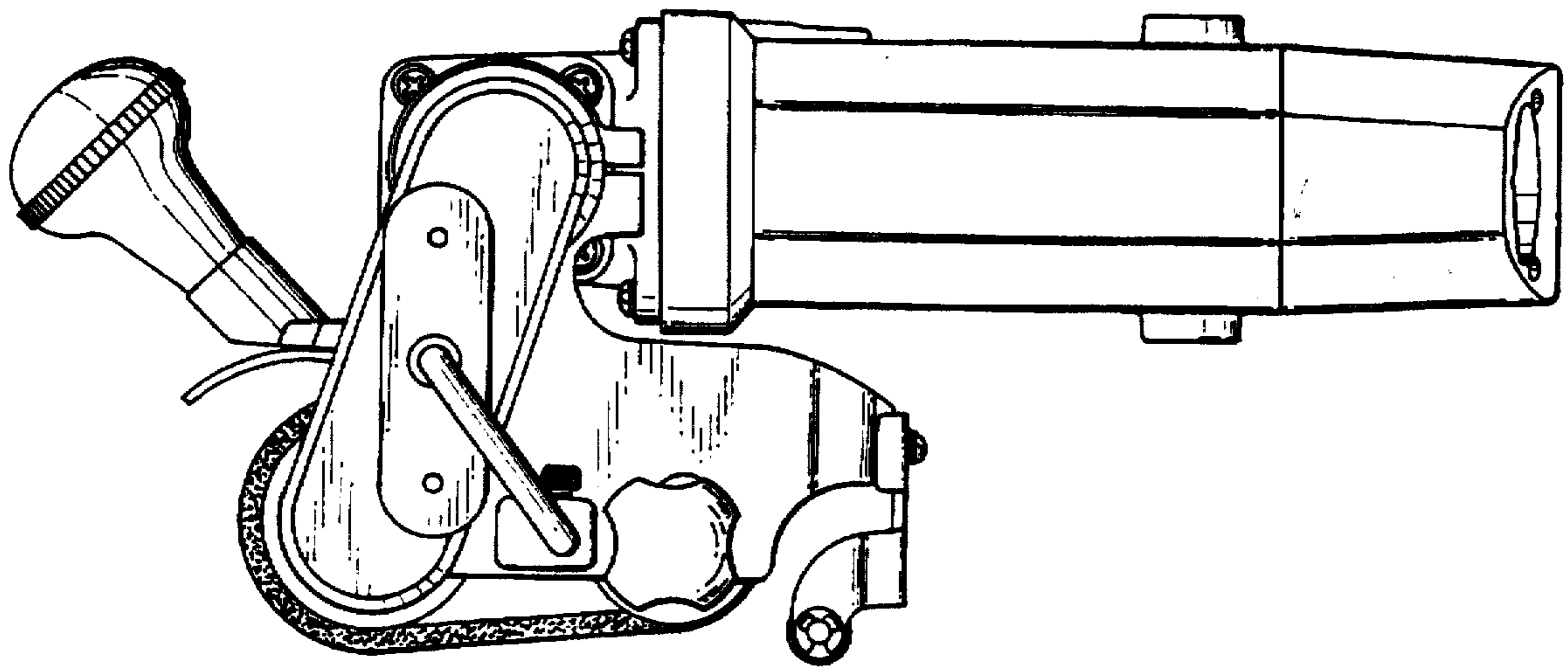


FIG. 9

