



US00D384867S

United States Patent [19]

[11] Patent Number: **Des. 384,867**

Willis

[45] Date of Patent: ****Oct. 14, 1997**

[54] SAND WEEDING TOOL

5,046,254 9/1991 Russell .

[76] Inventor: **Mike Willis**, 1838 Vamo Dr., Sarasota, Fla. 34231

OTHER PUBLICATIONS

Ames Catalog, p. 21, lute, item No. D19-400 May 1986.
Williams-Sonoma Gardener's Eden Cat. p. 19, rake located at right of page Mar. 1988.

[**] Term: **14 Years**

Primary Examiner—Holly Baynham
Attorney, Agent, or Firm—Middleton & Reutlinger; David W. Carrithers

[21] Appl. No.: **58,379**

[22] Filed: **Aug. 12, 1996**

[51] LOC (6) Cl. **08-01**

[52] U.S. Cl. **D8/13**

[58] Field of Search D8/13, 9; 56/400.01, 56/400.04-400.21; 294/55.5; 172/372

[57] CLAIM

The ornamental design for a sand weeding tool, as shown and described.

[56] References Cited

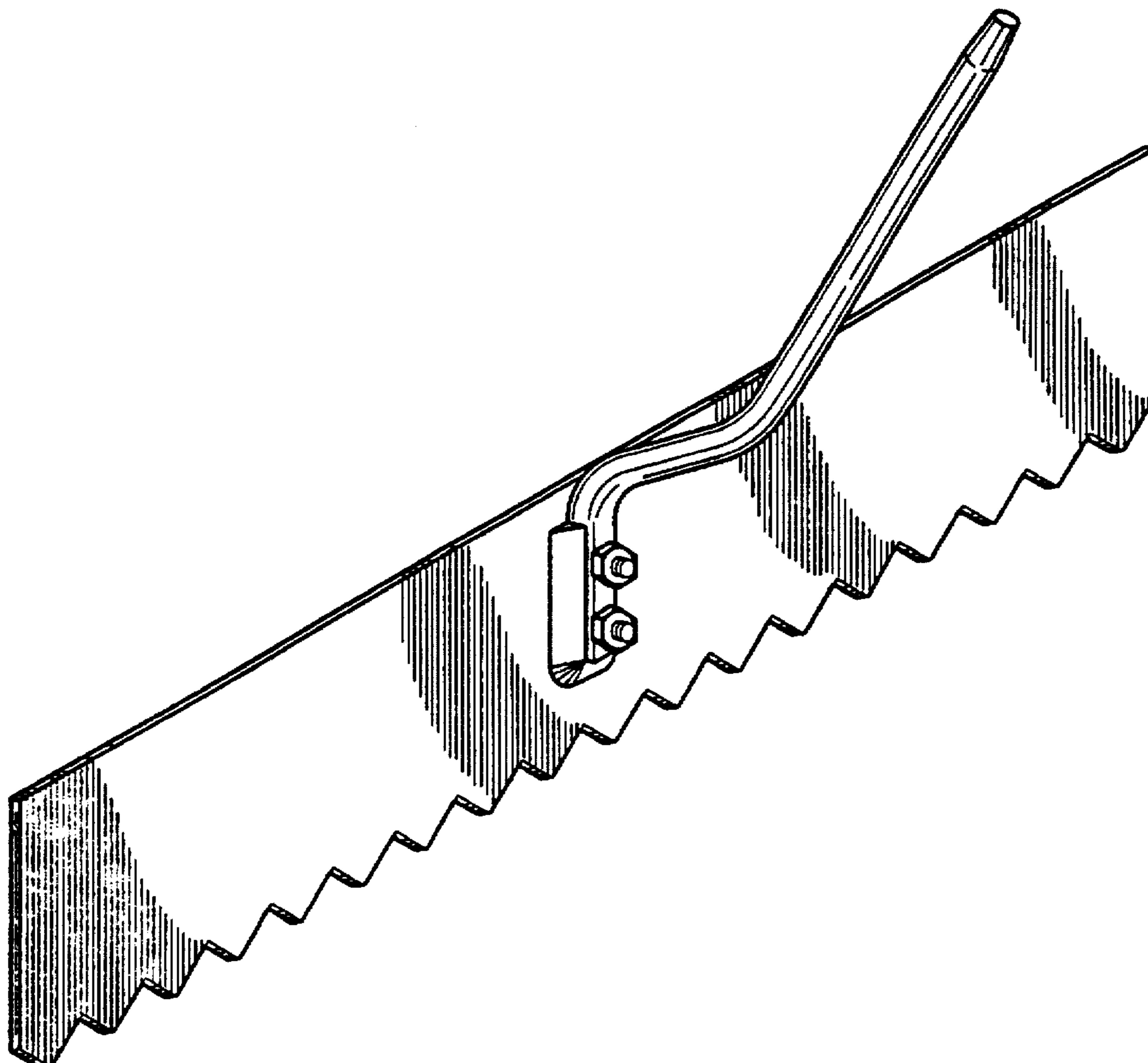
DESCRIPTION

U.S. PATENT DOCUMENTS

311,792	2/1885	Stafford .	
D. 347,557	6/1994	Schuele	D8/13
D. 355,102	2/1995	Fridlind	D8/13
643,180	2/1900	Woods .	
1,469,957	10/1923	Rich	172/372
1,902,705	3/1933	Kee	294/55.5 X
2,283,322	5/1942	Edell .	
3,335,557	8/1967	Boyer	56/400.04 X
4,216,831	8/1980	Ritchie	56/400.04 X

FIG. 1 is an elevational perspective view of the sand weeding tool made in accordance with my design;
FIG. 2 is a bottom plan view thereof;
FIG. 3 is an elevational rear view thereof;
FIG. 4 is top plan view thereof;
FIG. 5 is an elevational front plan view thereof; and,
FIG. 6 is an elevational left side view, the right side view being a mirror image thereof.

1 Claim, 3 Drawing Sheets



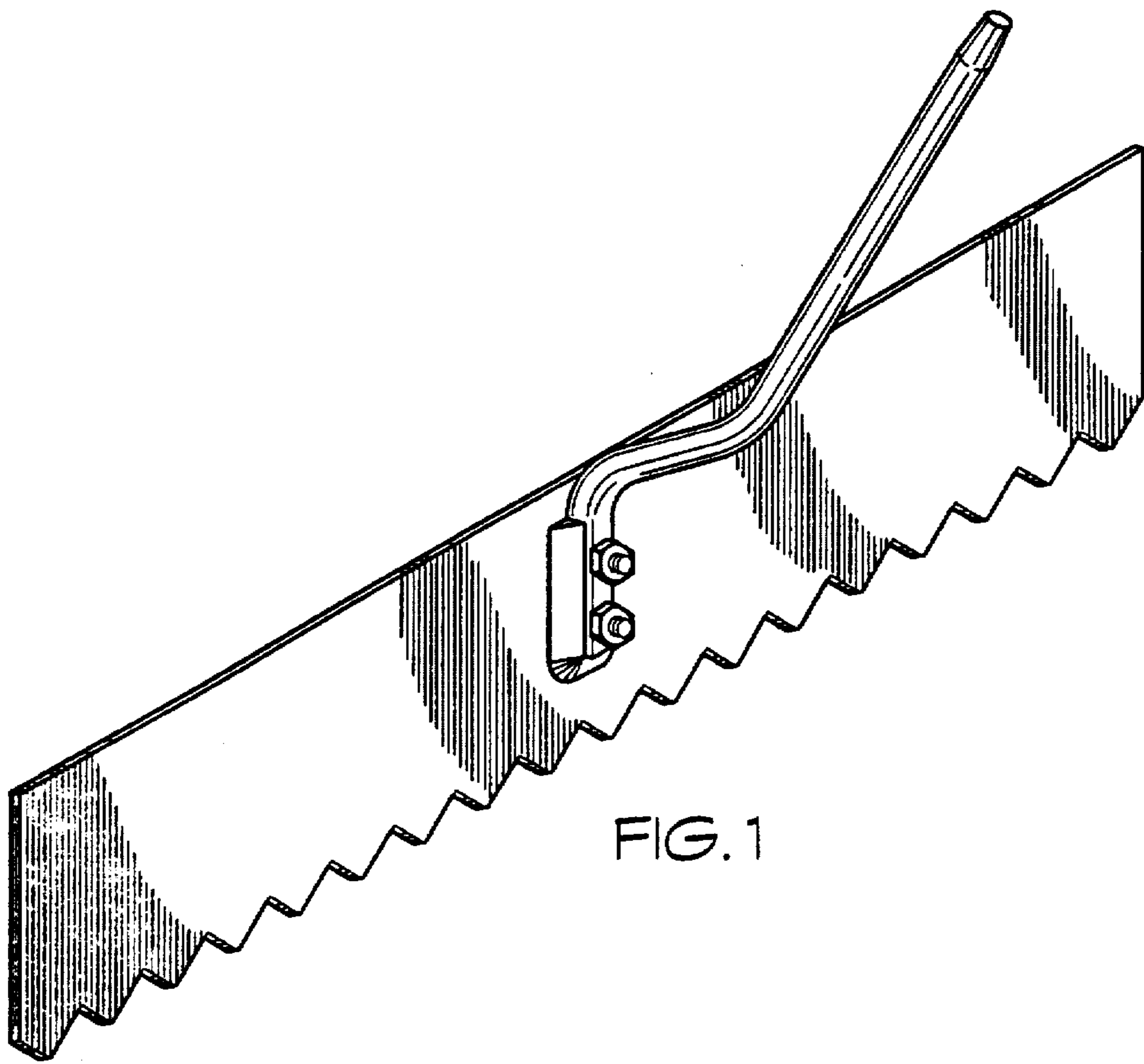


FIG. 1

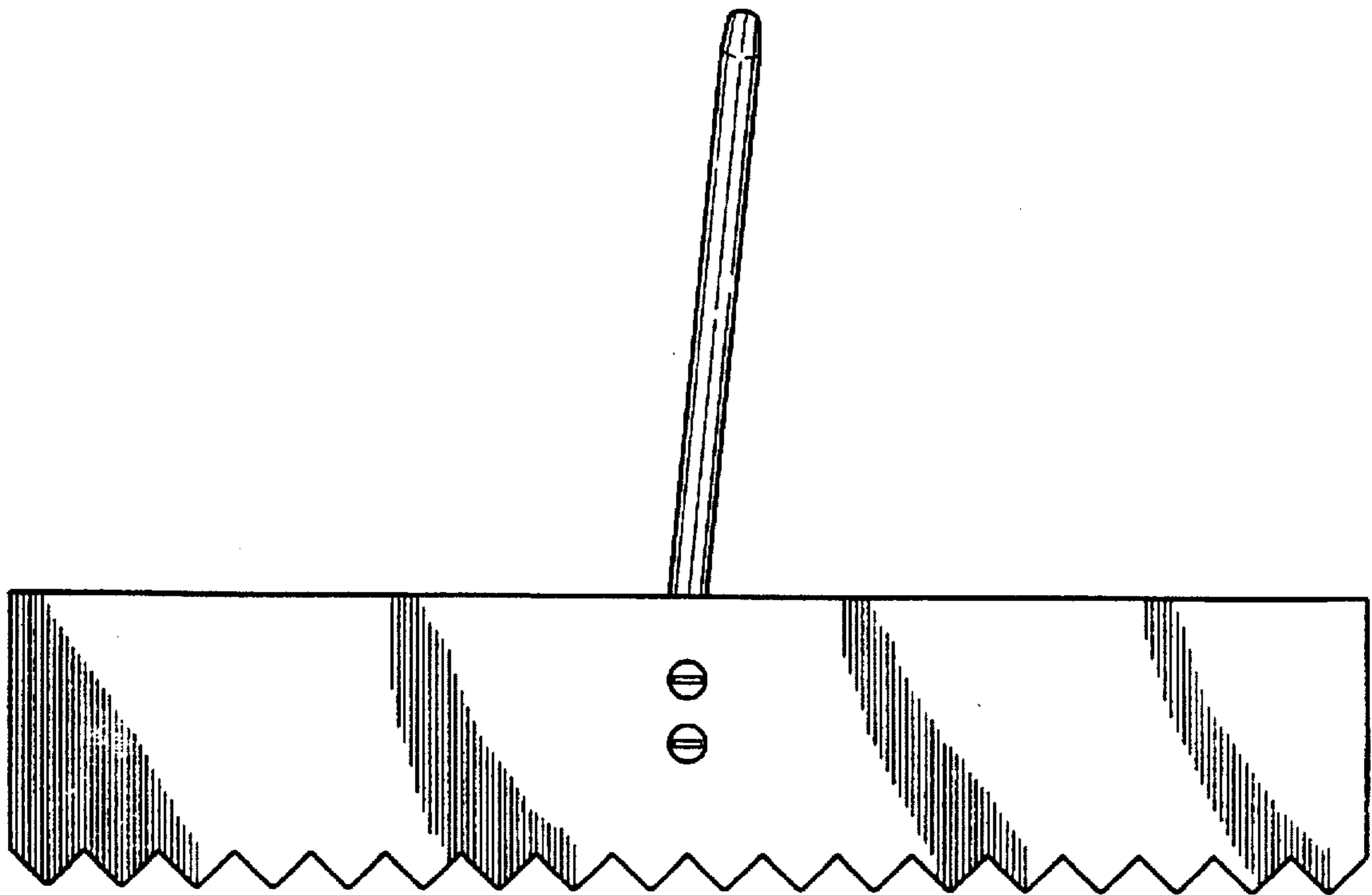


FIG. 2

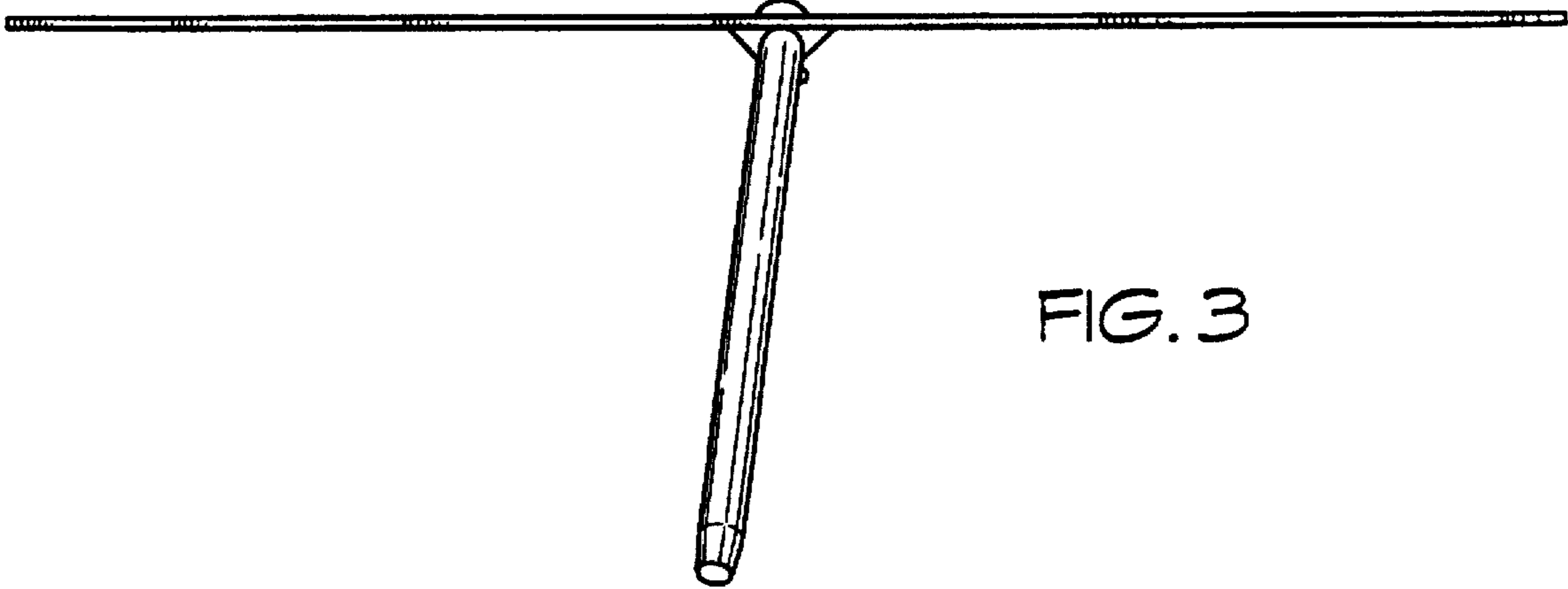


FIG. 3

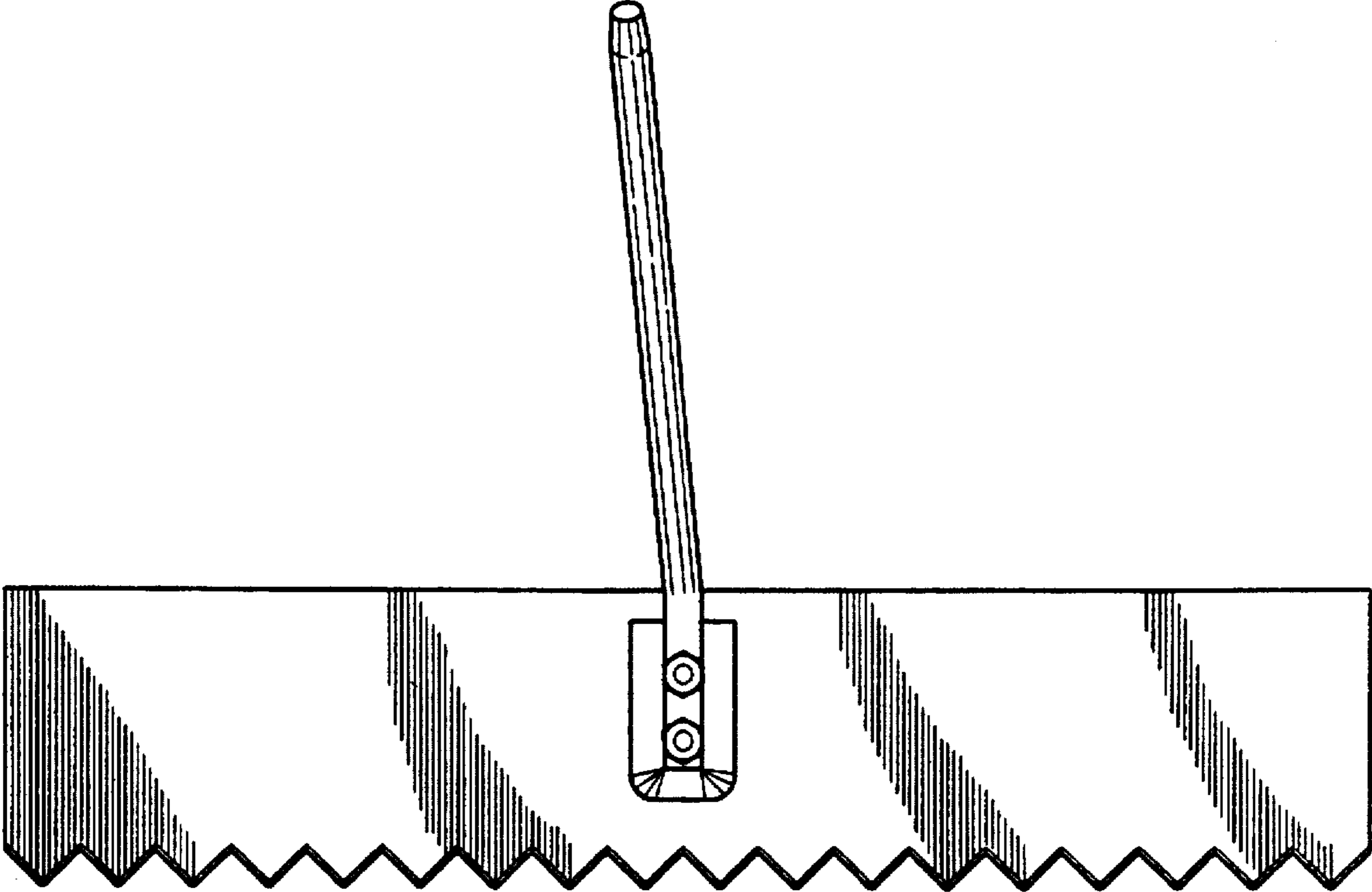


FIG. 4

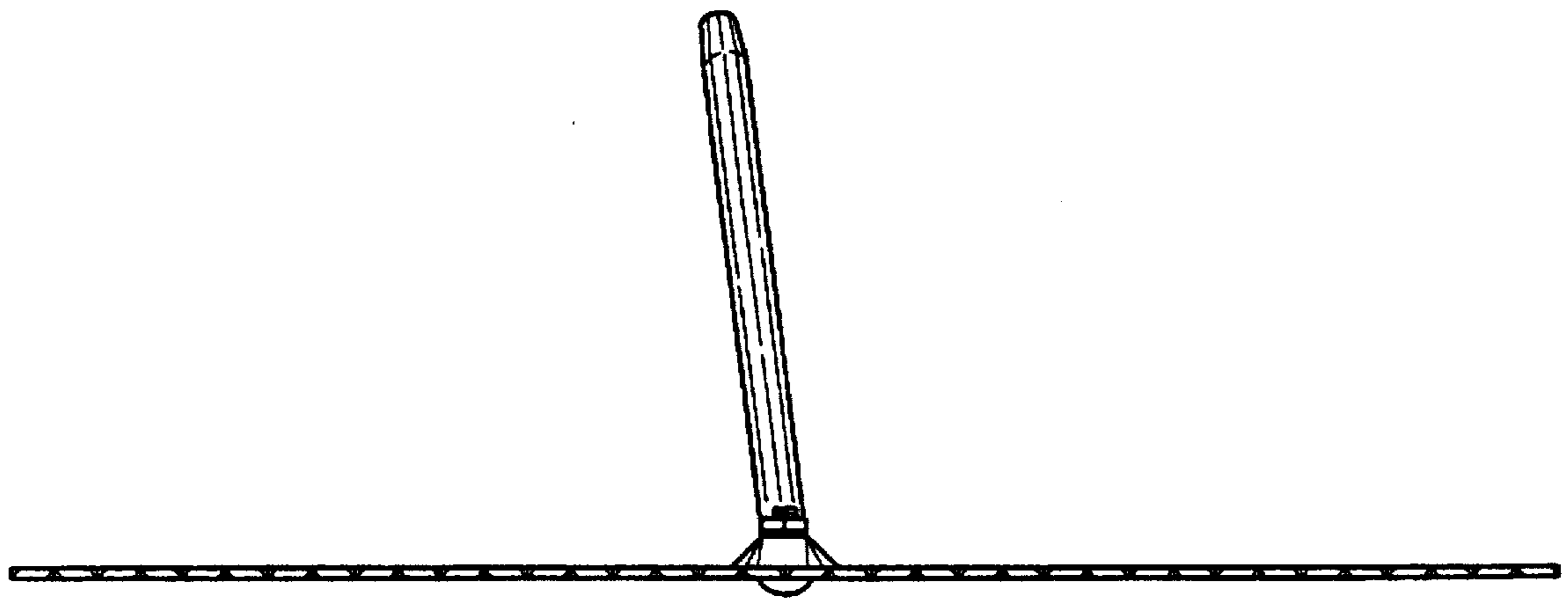


FIG. 5

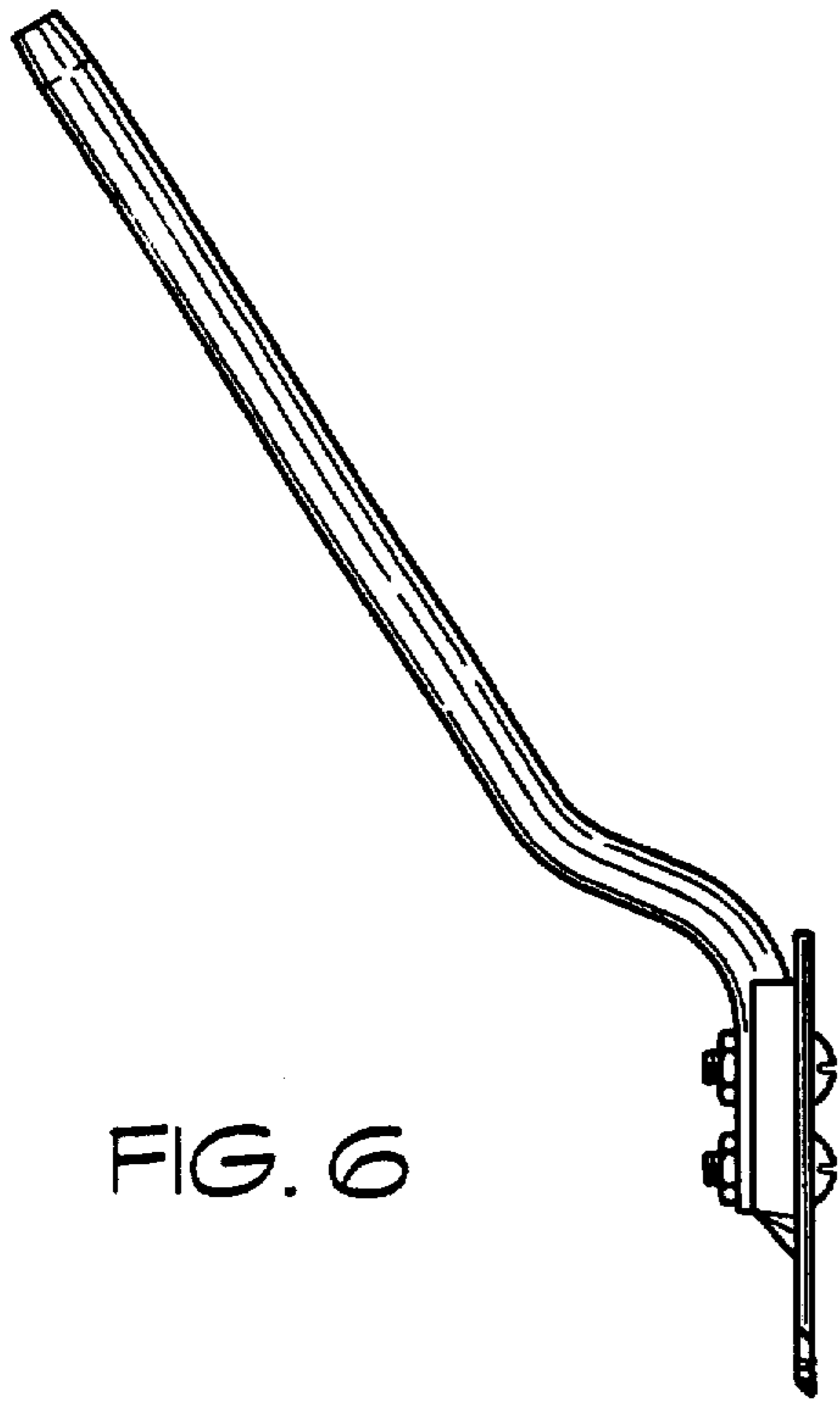


FIG. 6