

US00D384865S

United States Patent [19]
Baran

[11] **Patent Number: Des. 384,865**
[45] **Date of Patent: **Oct. 14, 1997**

[54] **YARD DEBRIS TONGS**
[76] **Inventor: James M. Baran, 3636 Westgate Pl., Tecumseh, Mich. 49286**
[**] **Term: 14 Years**
[21] **Appl. No.: 56,196**
[22] **Filed: Jun. 25, 1996**
[51] **LOC (6) Cl. 08-01**
[52] **U.S. Cl. D8/4; 294/50.8; D30/162**
[58] **Field of Search D8/4, 1; 294/1.3, 294/1.4, 50.8, 55; D30/162; 15/236.01, 236.05, 236.06**

2129898 12/1972 Germany 294/1.3
8901465 1/1991 Netherlands 294/1.3
673926 4/1990 Switzerland 294/50.8
18854 8/1906 United Kingdom 294/50.8
2095156 9/1982 United Kingdom 294/1.4
2115737 9/1983 United Kingdom D30/162

OTHER PUBLICATIONS

Hanover House Catalog; p. 46; Long Handled Scoop.
Hueter Toledo, Inc. Brochure; Dooley Doo Scoop Pet Waste Scooper;

Primary Examiner—Cathy Anne MacCormac

[57] **CLAIM**

The ornamental design for yard debris tongs, as shown and described.

[56] **References Cited**

U.S. PATENT DOCUMENTS

D. 292,035 9/1987 Aksamit D30/162
D. 341,300 11/1993 Parsons D30/162
D. 351,265 10/1994 Pierce D30/162
D. 368,003 3/1996 Simon D8/4
D. 369,444 4/1996 Wodegrove et al. D30/162
3,778,097 12/1973 Dorzan 294/1.4
3,879,079 4/1975 Nicholas 294/1.4
4,948,188 8/1990 Haslam 294/50.8
5,114,199 5/1992 Newcomer 294/50.8
5,564,266 10/1996 Laughlin 294/50.8

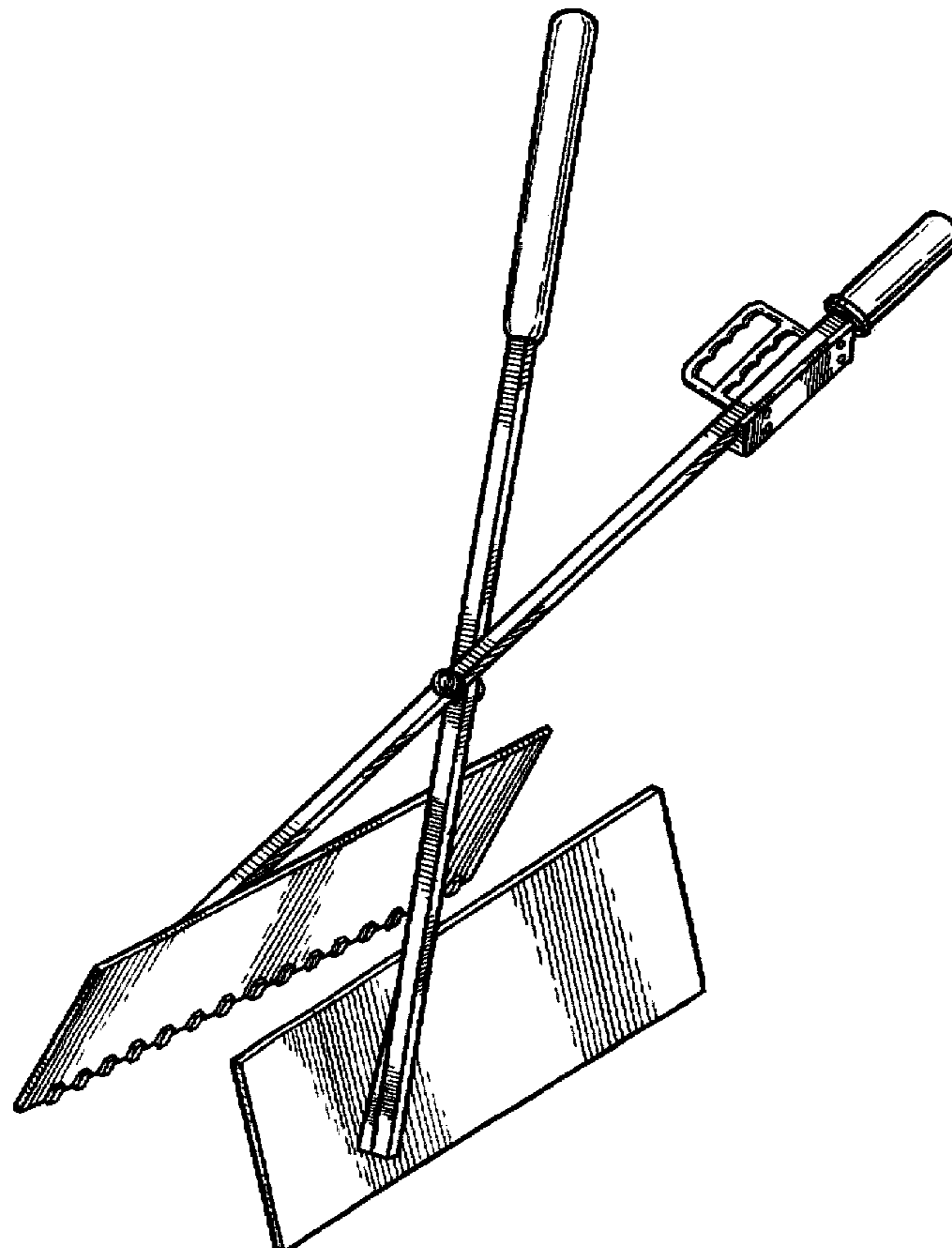
FOREIGN PATENT DOCUMENTS

2644810 9/1990 France 294/1.4

DESCRIPTION

FIG. 1 is a perspective view of the yard debris tongs showing my new design;
FIG. 2 is a front elevational view thereof;
FIG. 3 is a rear elevational view thereof;
FIG. 4 is a right side elevational view thereof;
FIG. 5 is a left side elevational view thereof;
FIG. 6 is a top plan view thereof; and,
FIG. 7 is a bottom plan view thereof.

1 Claim, 6 Drawing Sheets



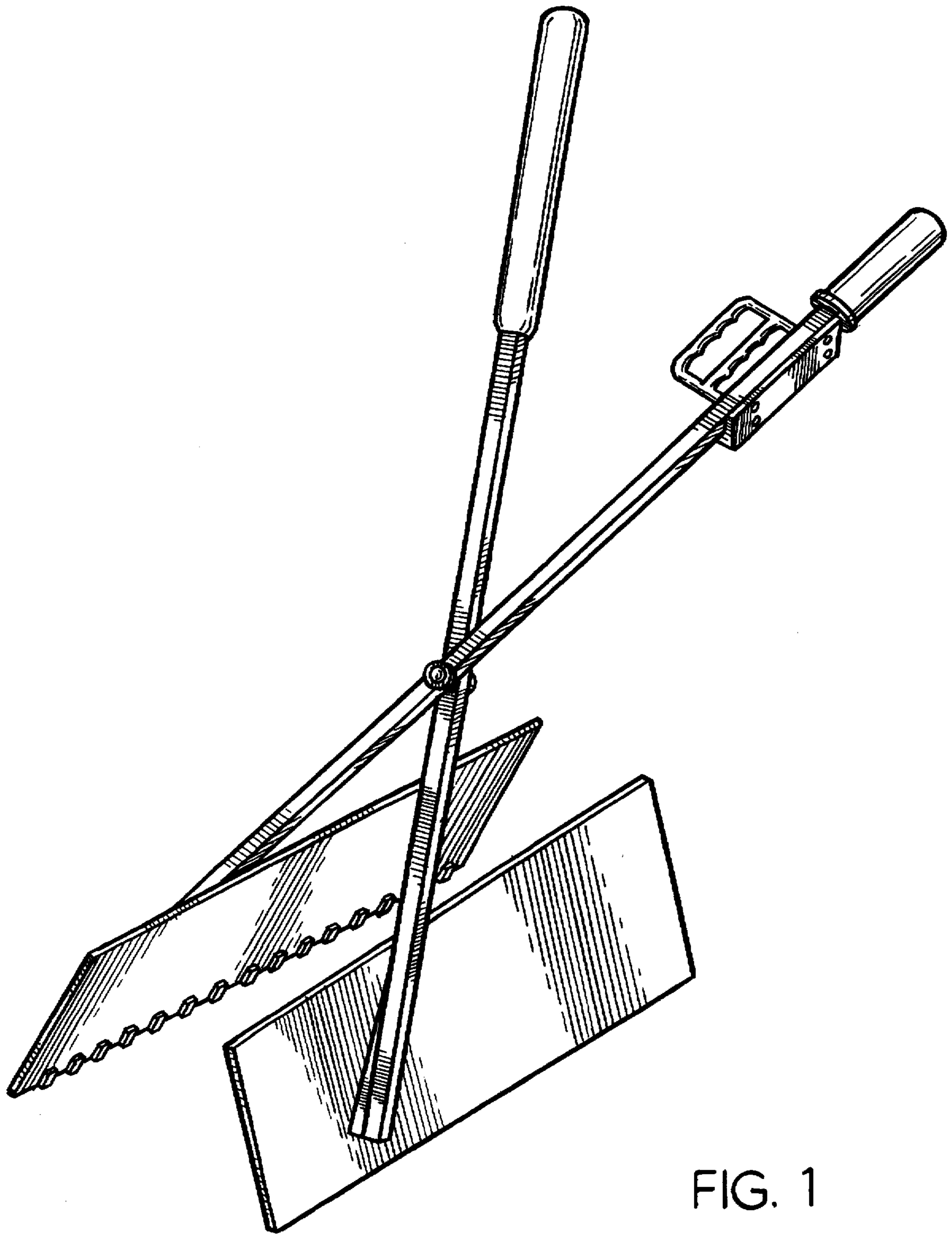


FIG. 1

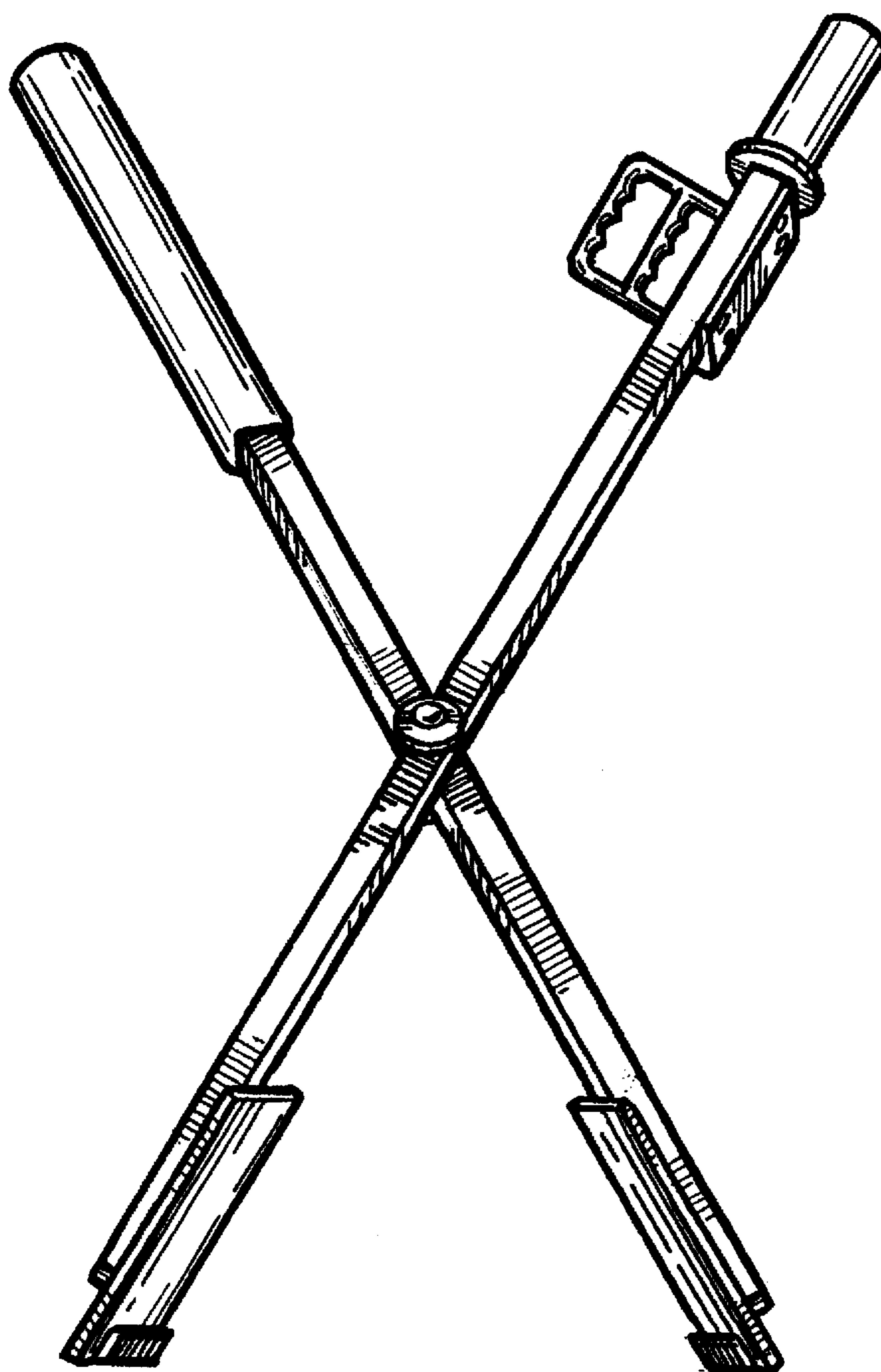


FIG. 2

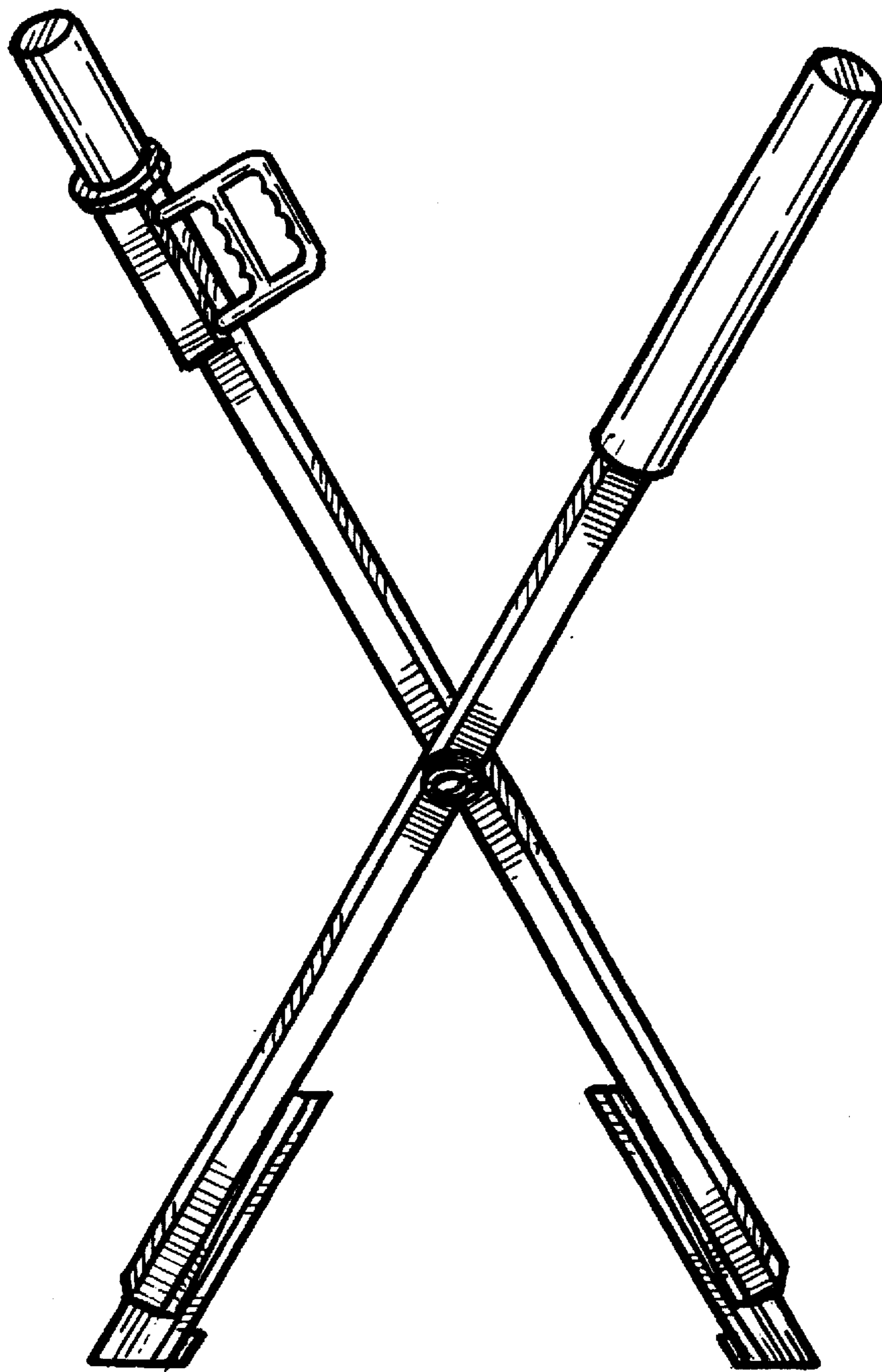


FIG. 3

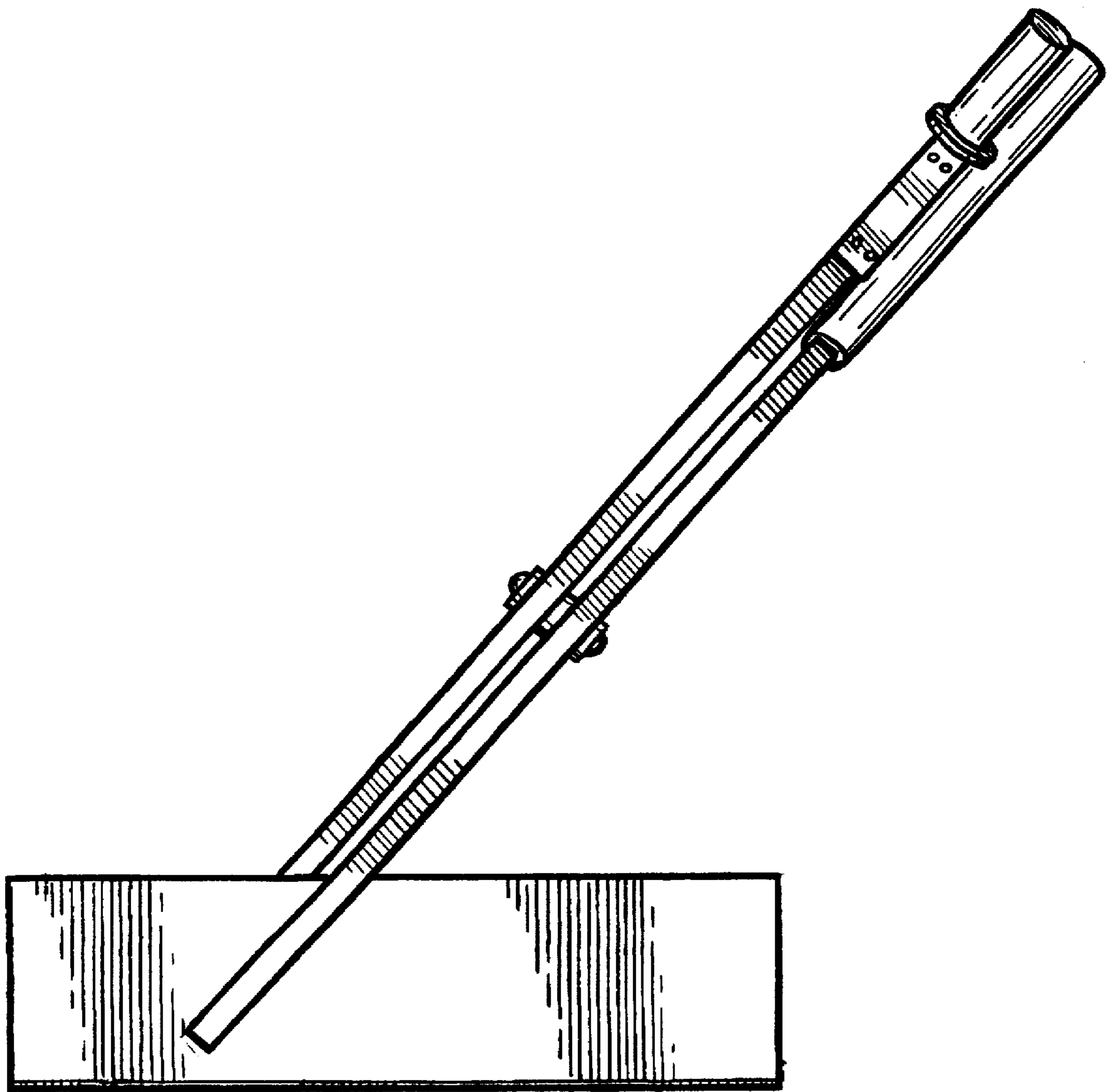


FIG. 4

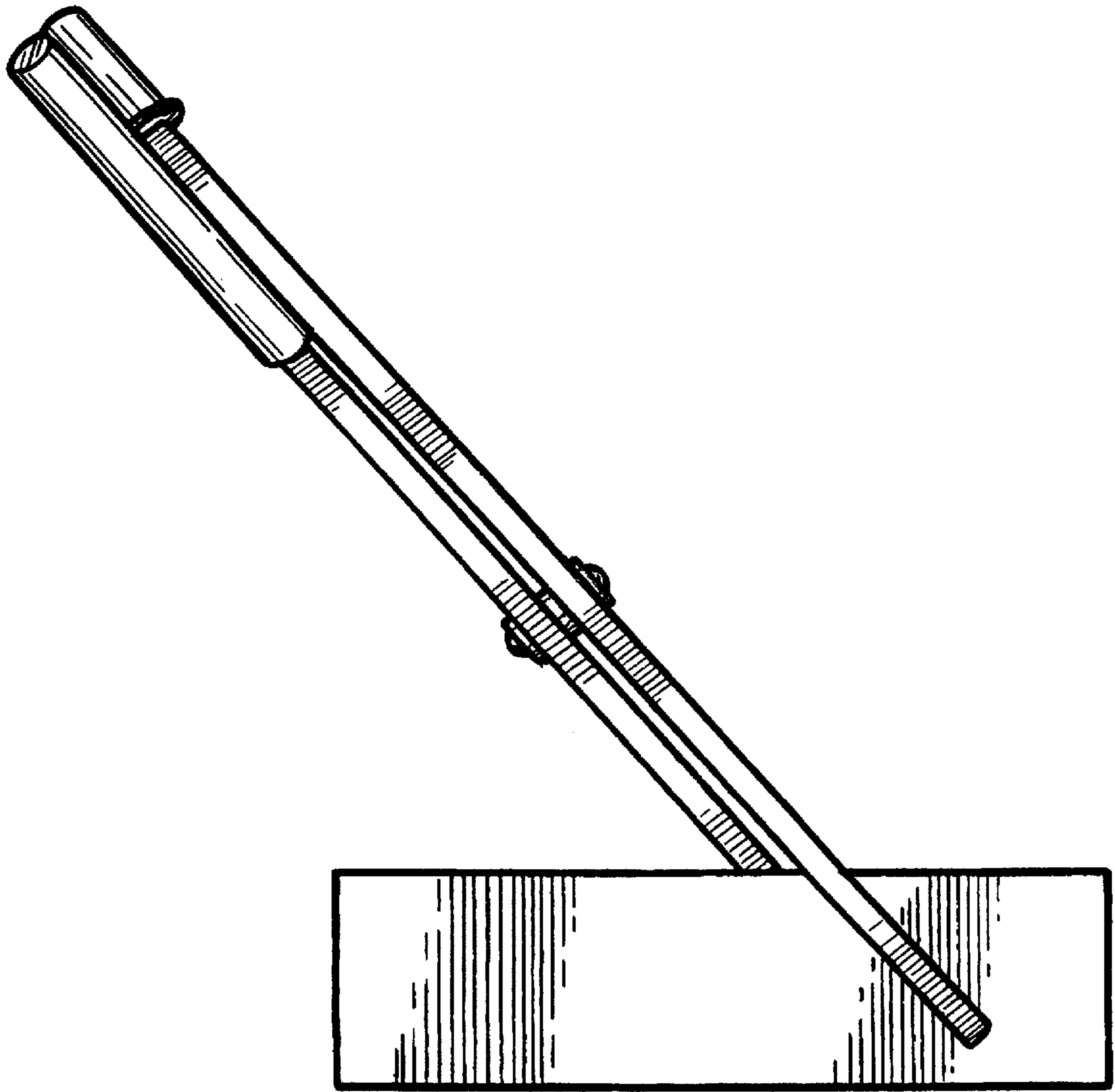


FIG. 5

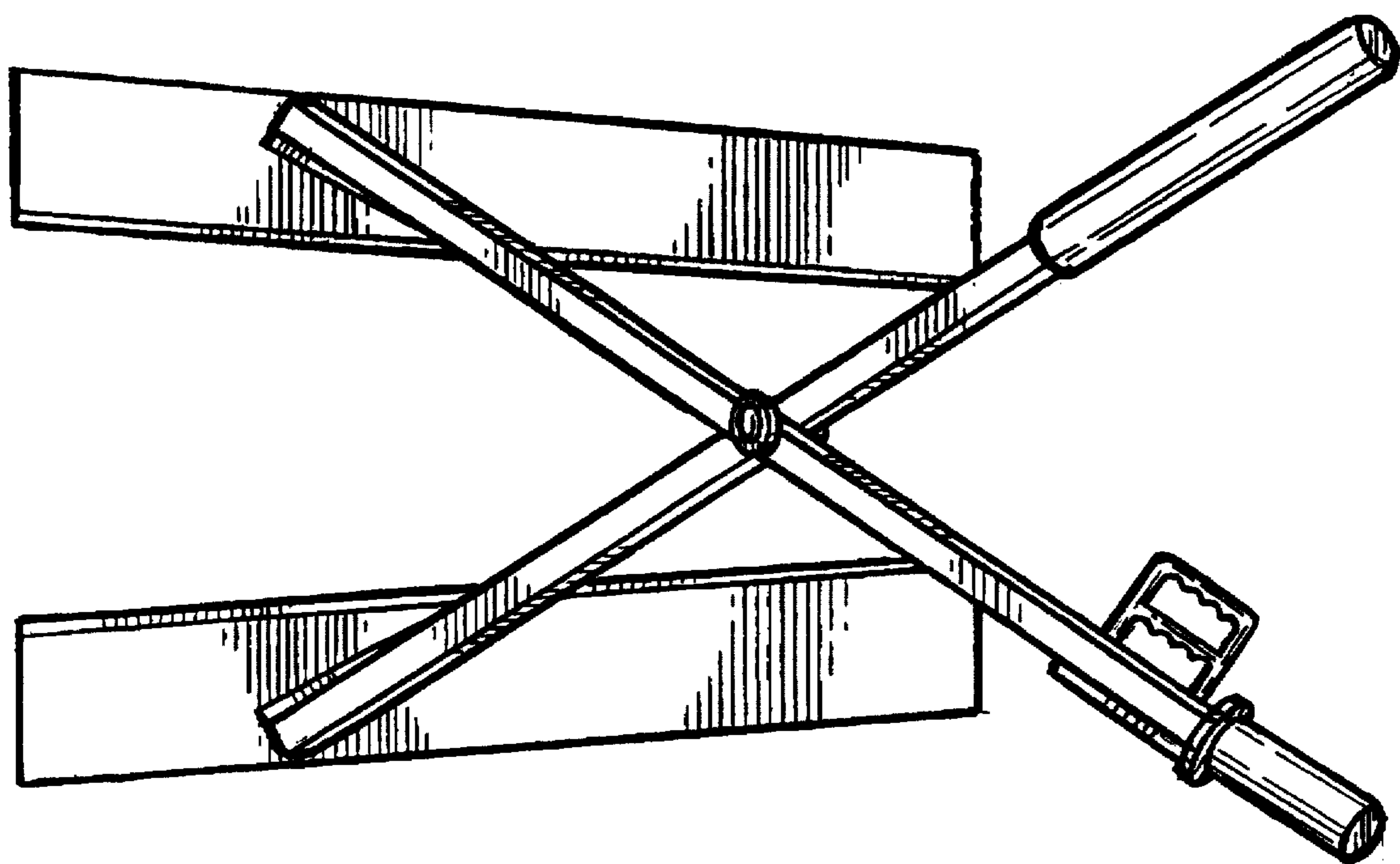


FIG. 6

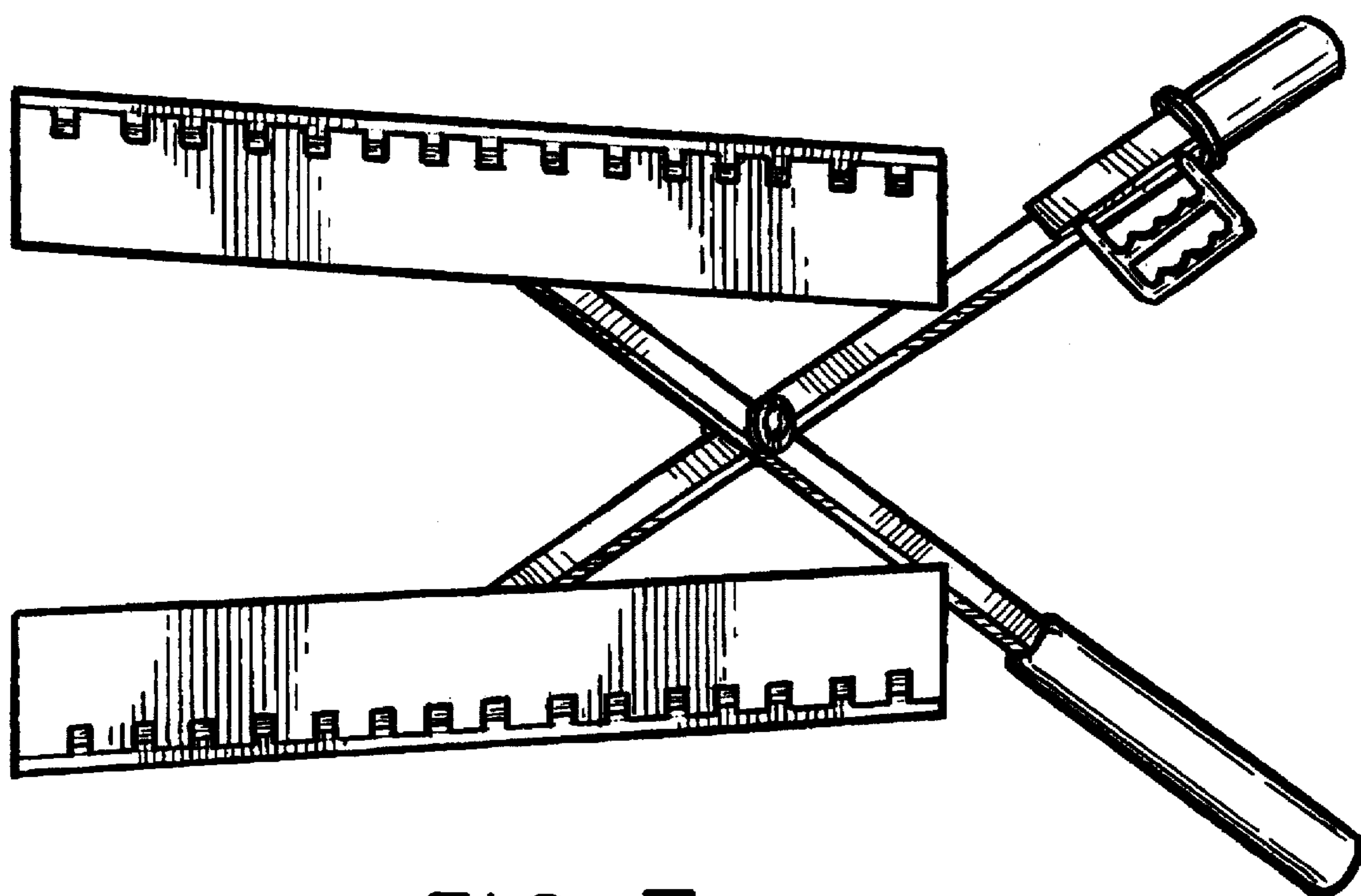


FIG. 7