

US00D384864S

United States Patent [19]
Carlson

[11] **Patent Number: Des. 384,864**
[45] **Date of Patent: ***Oct. 14, 1997**

[54] **CONTAINER**

3,521,788 7/1970 Kandel et al. 229/403 X

[75] **Inventor: Arthur Richard Carlson, East
Hathorn, Australia**

OTHER PUBLICATIONS

Tupperware, 1968, p. 9, Canister, middle of page.
Tupperware, 1982, p. 9, Bowl D80.
Tupperware, 1985, p. 13, Bowl 171.

[73] **Assignee: The Decor Corporation Pty Ltd.,
Australia**

[*] **Notice: The portion of the term of this patent
subsequent to May 20, 2011, has been
disclaimed.**

Primary Examiner—Terry A. Wallace
Attorney, Agent, or Firm—Thompson Hine & Flory LLP

[**] **Term: 14 Years**

[57] **CLAIM**

The ornamental design for a container, as shown and described.

[21] **Appl. No.: 40,678**

[22] **Filed: Jun. 23, 1995**

DESCRIPTION

[30] **Foreign Application Priority Data**

Dec. 23, 1994 [AU] Australia 4318/94

FIG. 1 is a perspective view from above of a container showing my new design;

[51] **LOC (6) Cl. 07-01**

[52] **U.S. Cl. D7/602**

FIG. 2 is an enlarged, perspective detail thereof, showing a portion of the rim;

[58] **Field of Search D7/538-549, 602,
D7/612-615, 629; D9/424, 425; 206/505,
507, 514, 515; 220/574, 657, 669, 675**

FIG. 3 is a front elevational view thereof, the rear elevational view being identical thereto;

[56] **References Cited**

FIG. 4 is a bottom plan view thereof;

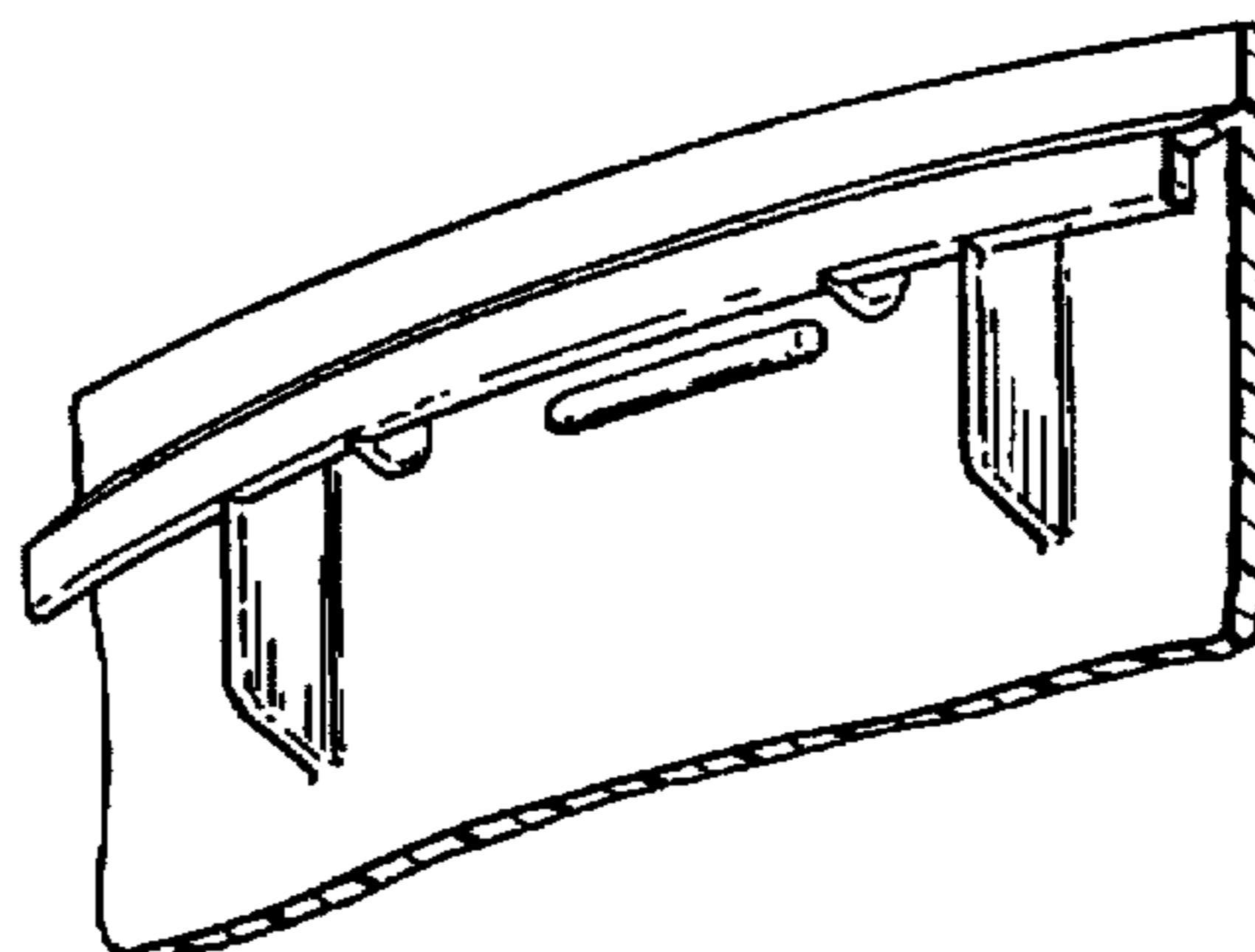
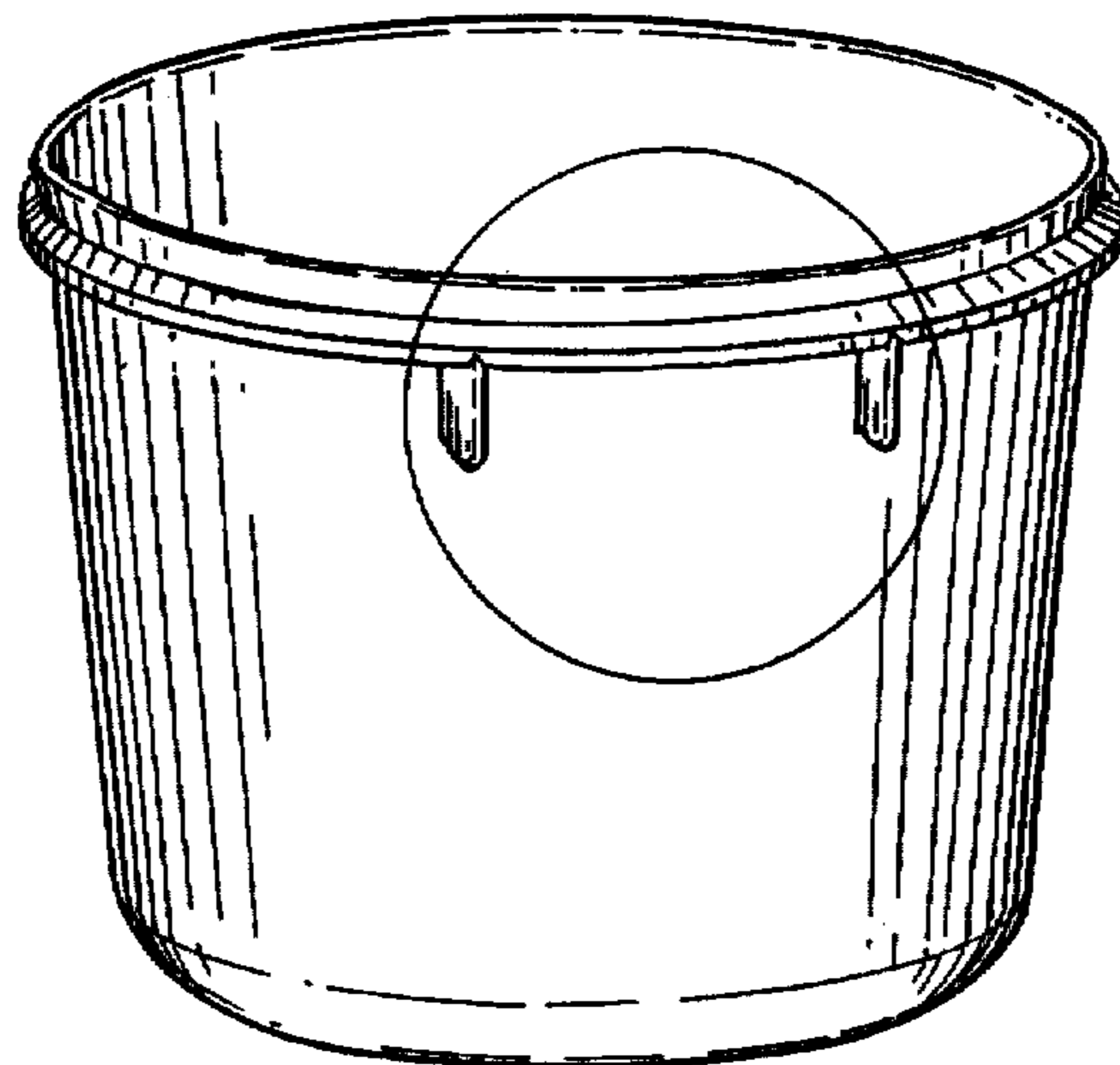
FIG. 5 is a side elevational view thereof; the opposite side being identical thereto; and,

FIG. 6 is a top plan view thereof.

U.S. PATENT DOCUMENTS

D. 332,204 1/1993 Carlson D7/629

1 Claim, 3 Drawing Sheets



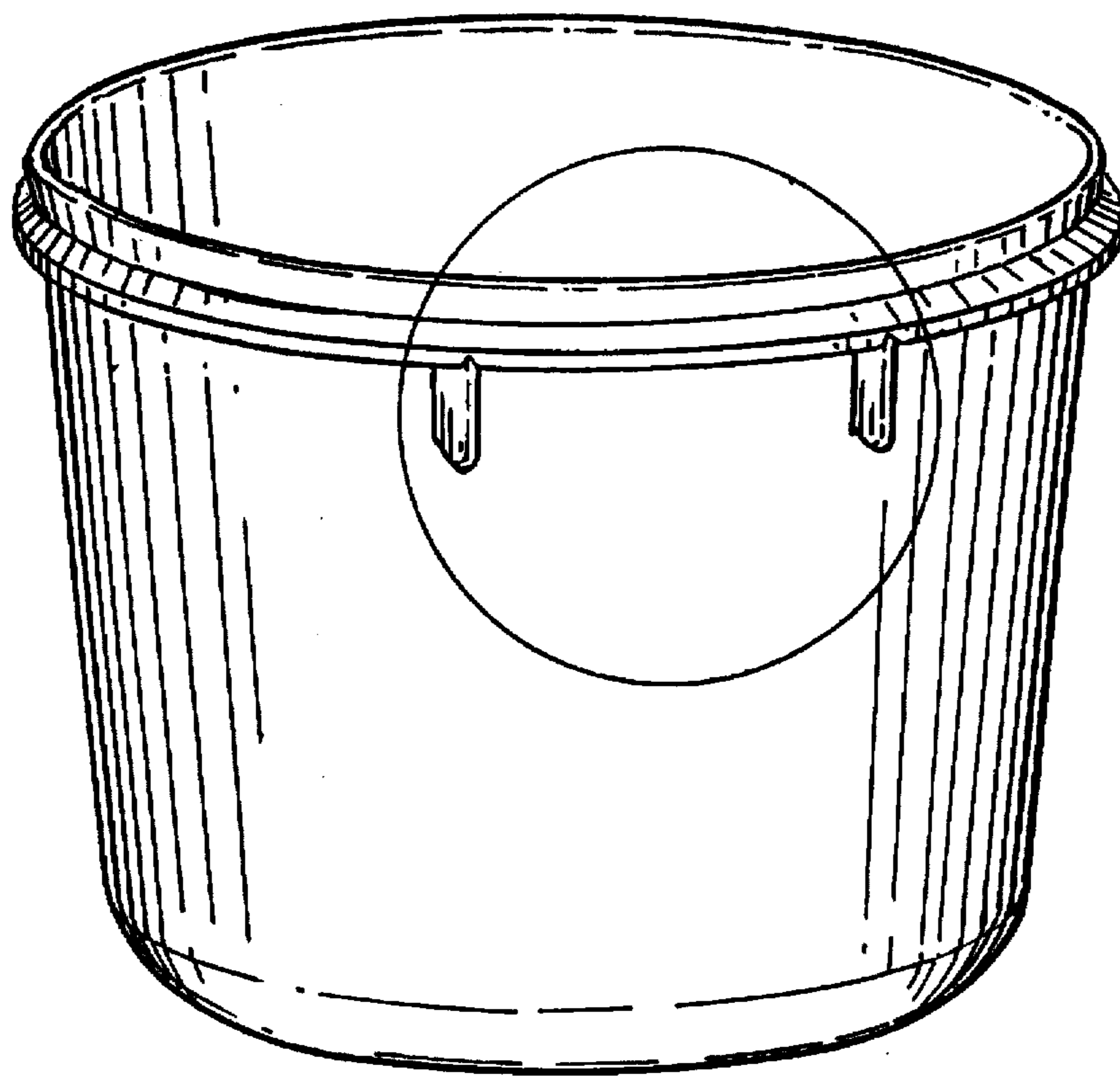


FIG. 1.

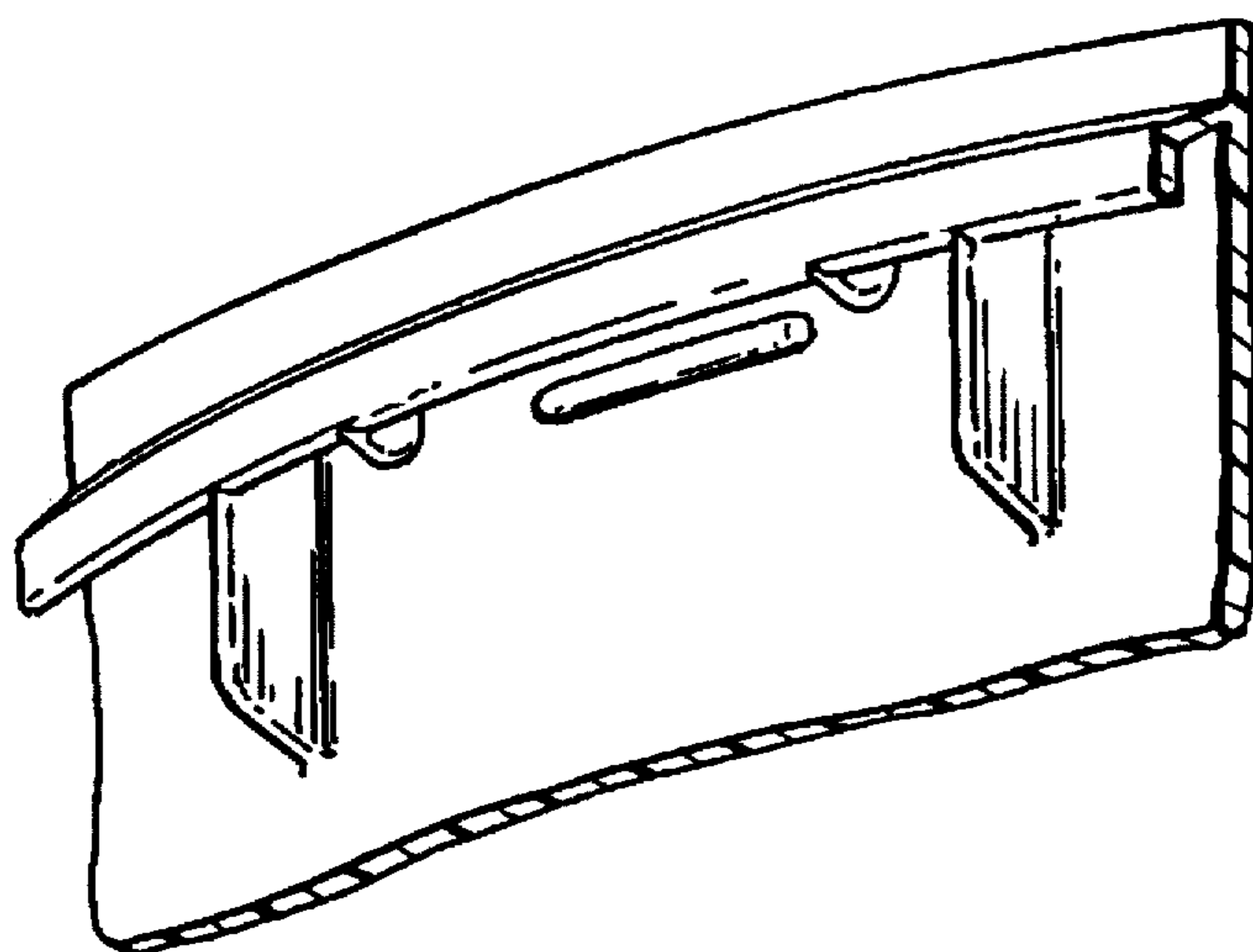
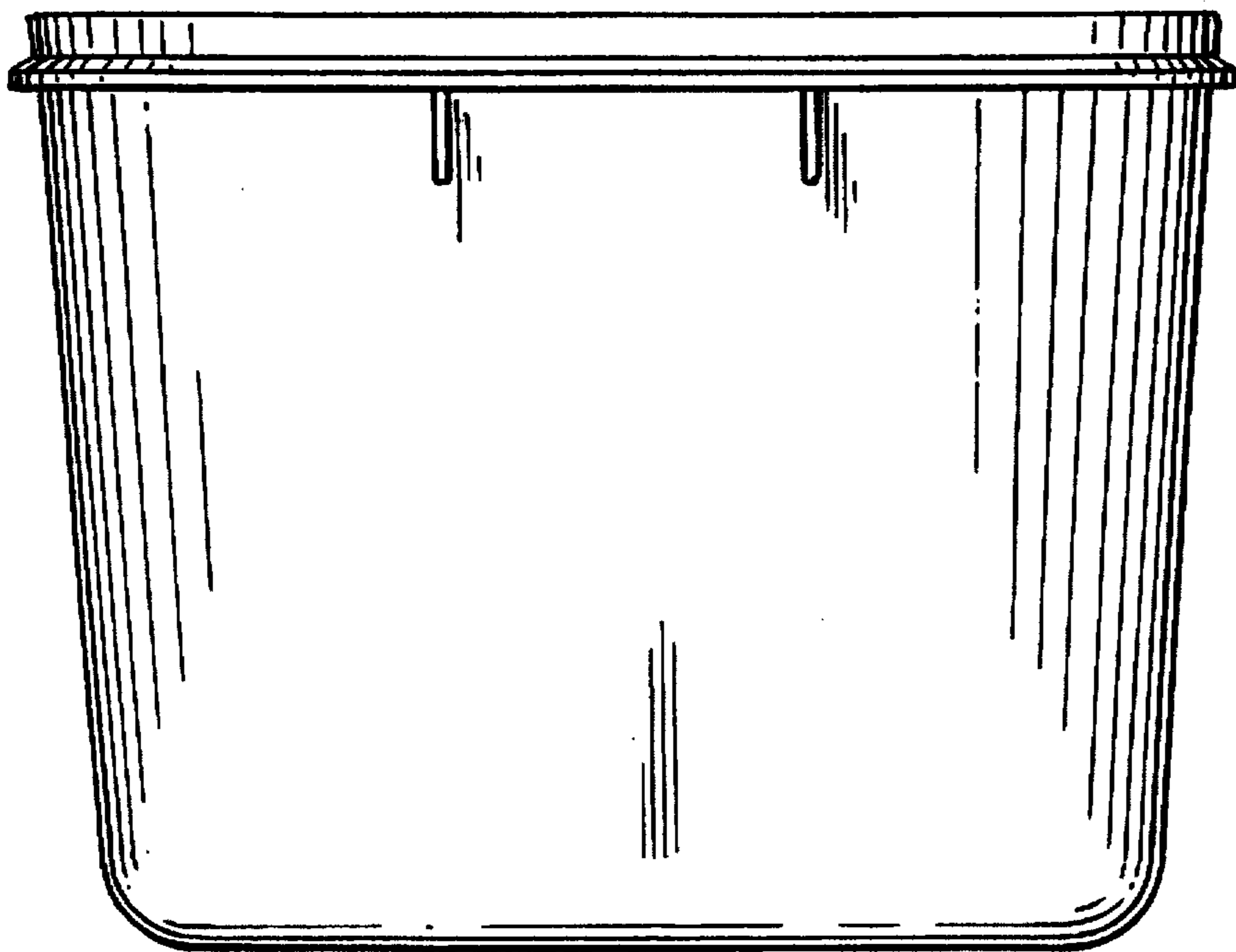
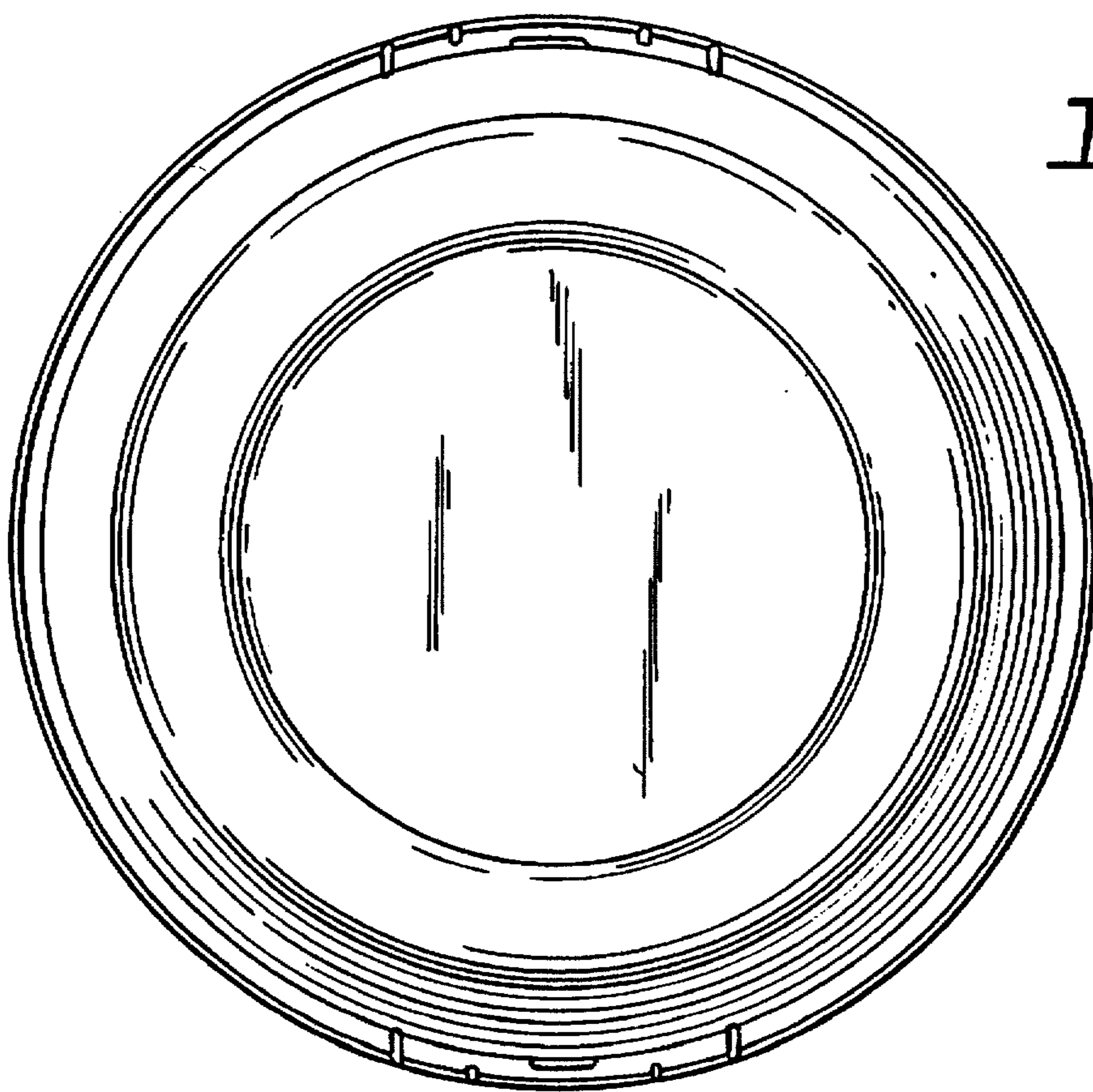


FIG. 2.



III. 3.



III. 4.

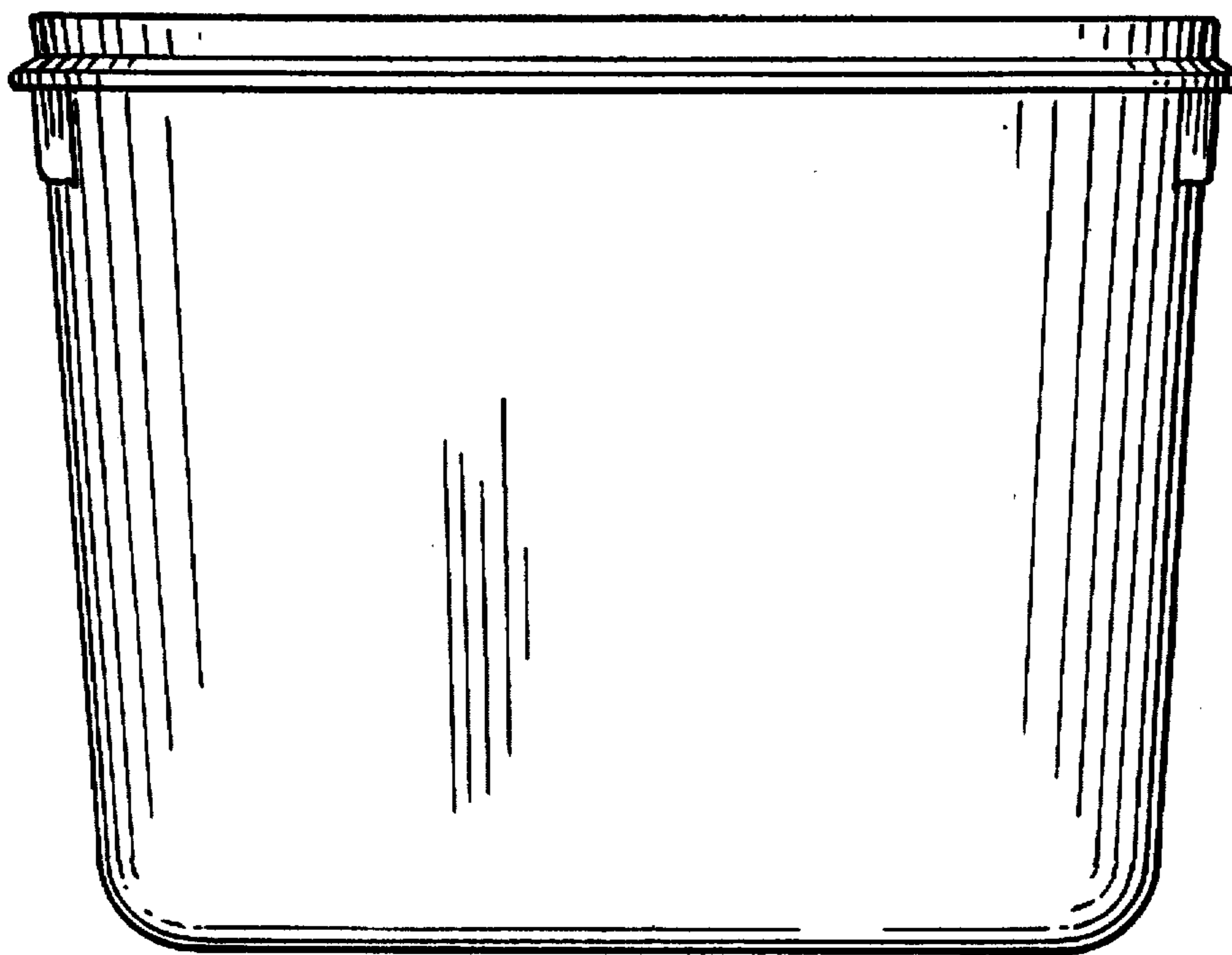


FIG. 5.

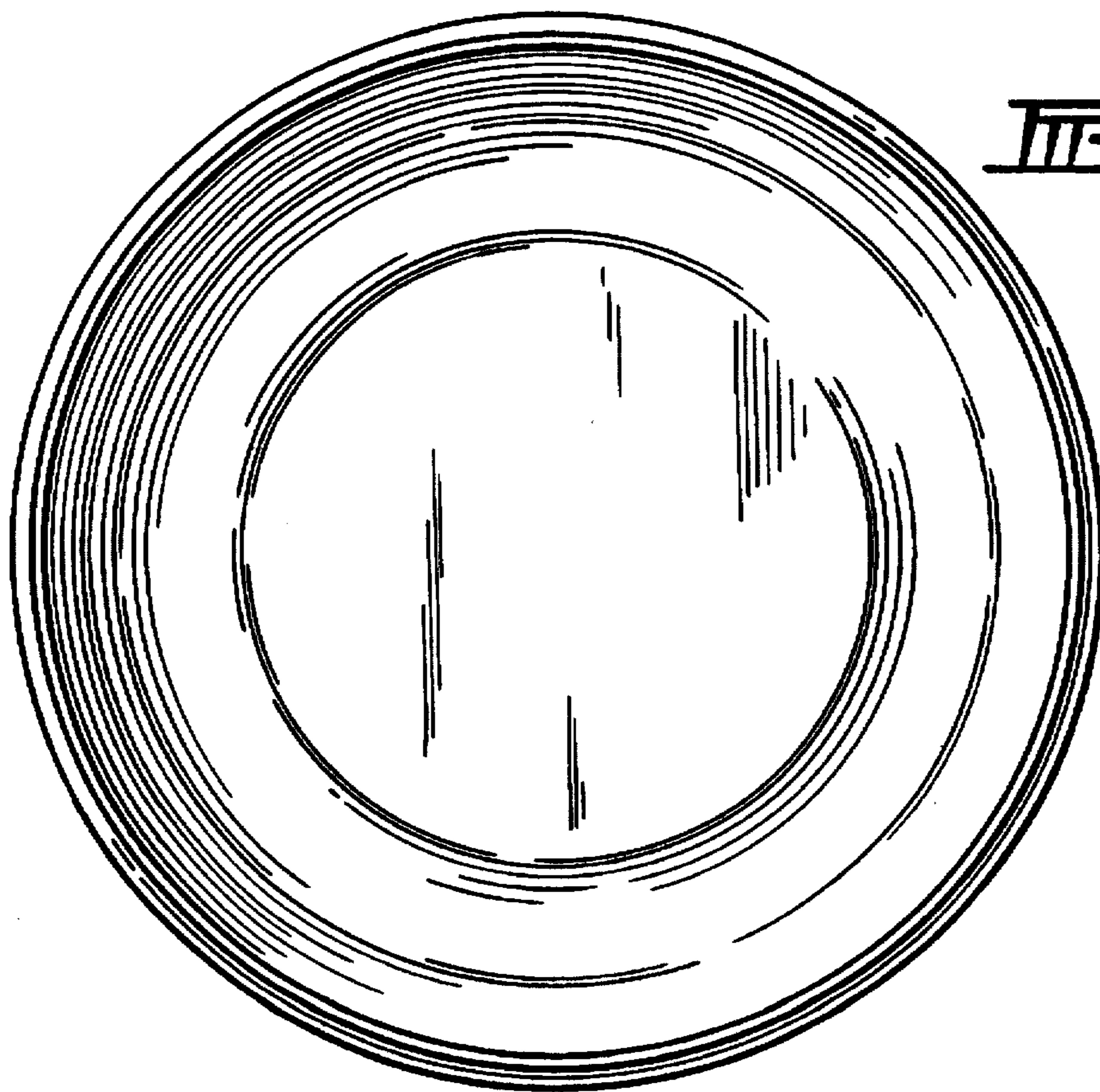


FIG. 6.