



US00D384861S

**United States Patent** [19]  
**Richard**

[11] **Patent Number: Des. 384,861**  
[45] **Date of Patent: \*\*Oct. 14, 1997**

[54] **SEAFOOD SERVING TRAY**  
[76] **Inventor: Calvin Richard, 1516 S. Henry, Abbeville, La. 70510**  
[\*\*] **Term: 14 Years**  
[21] **Appl. No.: 61,991**  
[22] **Filed: Nov. 5, 1996**  
[51] **LOC (6) Cl. .... 07-01**  
[52] **U.S. Cl. .... D7/553; D7/555; D7/549; D7/357**  
[58] **Field of Search .... D7/615, 357, 553, D7/555, 549, 614; 99/DIG. 15; 270/569, 575; 206/561**

867,086 9/1907 Sullivan ..... D7/357 X  
1,290,186 1/1919 Held ..... 99/DIG. 15 X  
2,172,140 9/1939 Kieft ..... D7/555 X  
2,663,447 12/1953 Smart ..... D7/357 X  
4,966,295 10/1990 Parrish ..... D7/535 X  
5,074,777 12/1991 Gamer ..... D7/555 X

*Primary Examiner*—M. N. Pandozzi  
*Attorney, Agent, or Firm*—Robert Montgomery

[57] **CLAIM**

The ornamental design for a seafood serving tray, as shown and described.

**DESCRIPTION**

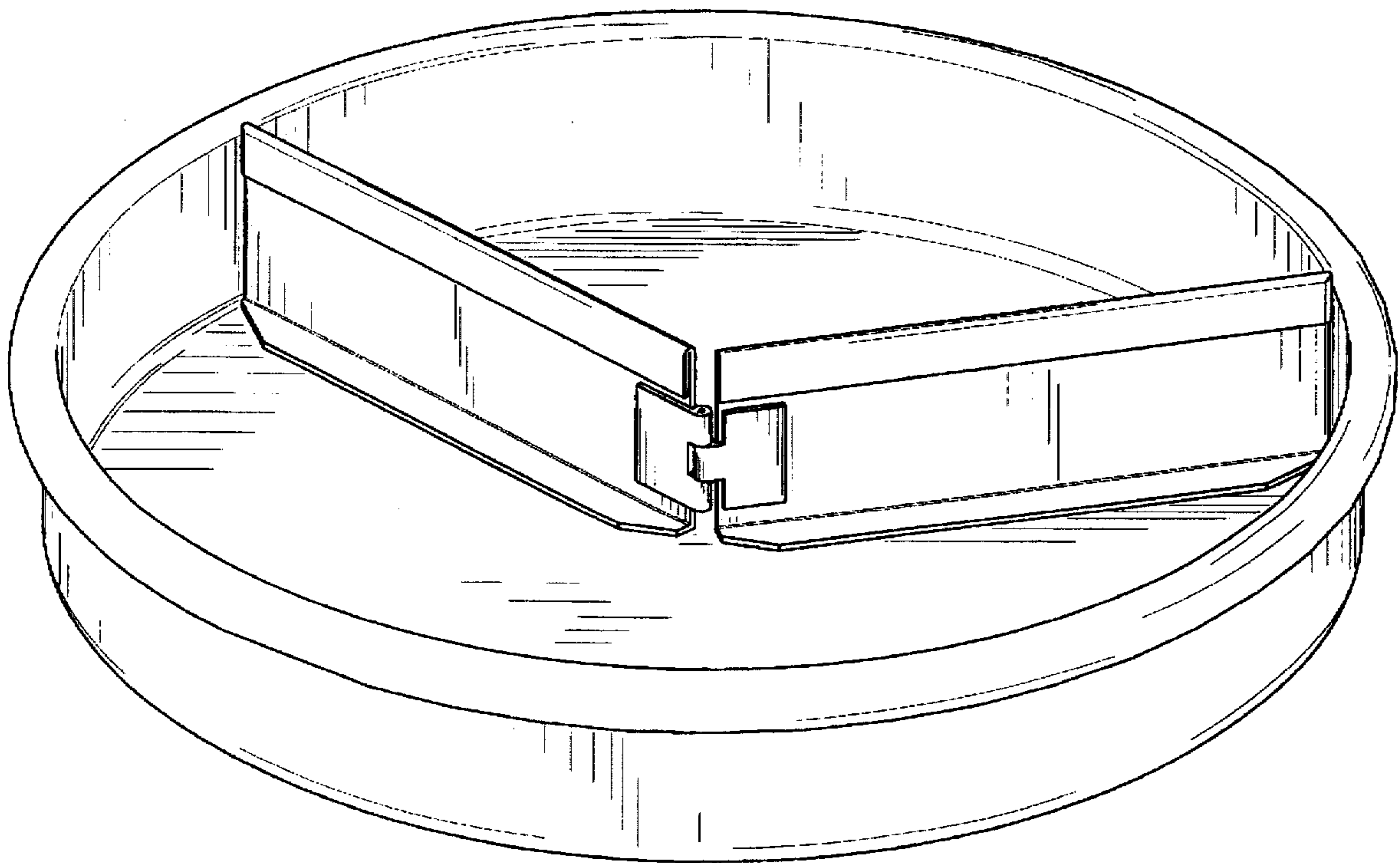
Fig. 1 is an isometric view of the seafood serving tray;  
FIG. 2 is a top view;  
FIG. 3 is a top view showing the hinged partition in a second position;  
FIG. 4 is a bottom view; and,  
FIG. 5 is a side view.

[56] **References Cited**

**U.S. PATENT DOCUMENTS**

D. 112,920 1/1939 Baker ..... D7/555  
D. 199,072 9/1964 Lewis ..... D7/555  
D. 364,537 11/1995 Anderson ..... D7/555 X  
476,340 6/1892 Wagandt ..... D7/357 X

**1 Claim, 2 Drawing Sheets**



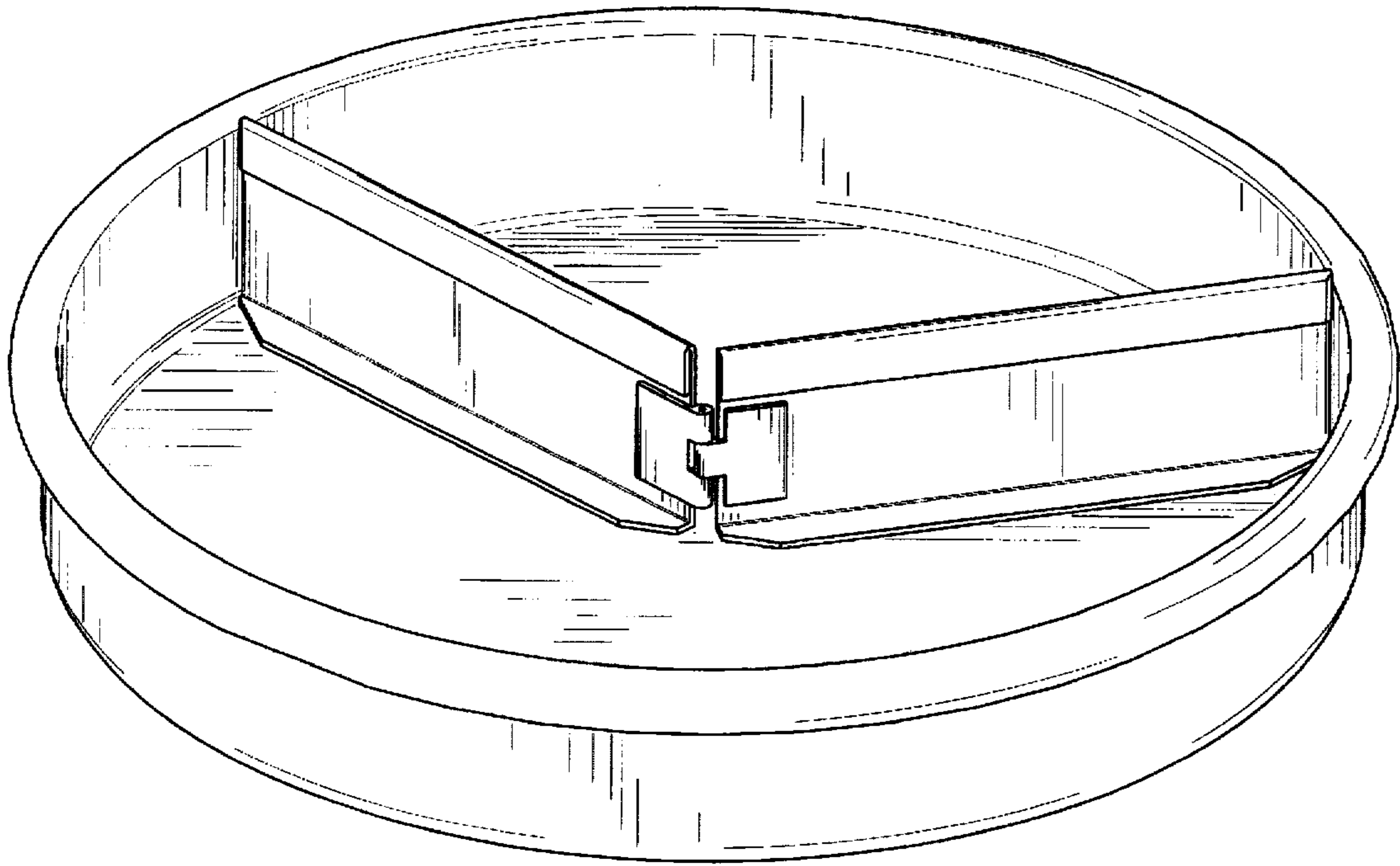


Fig. 1

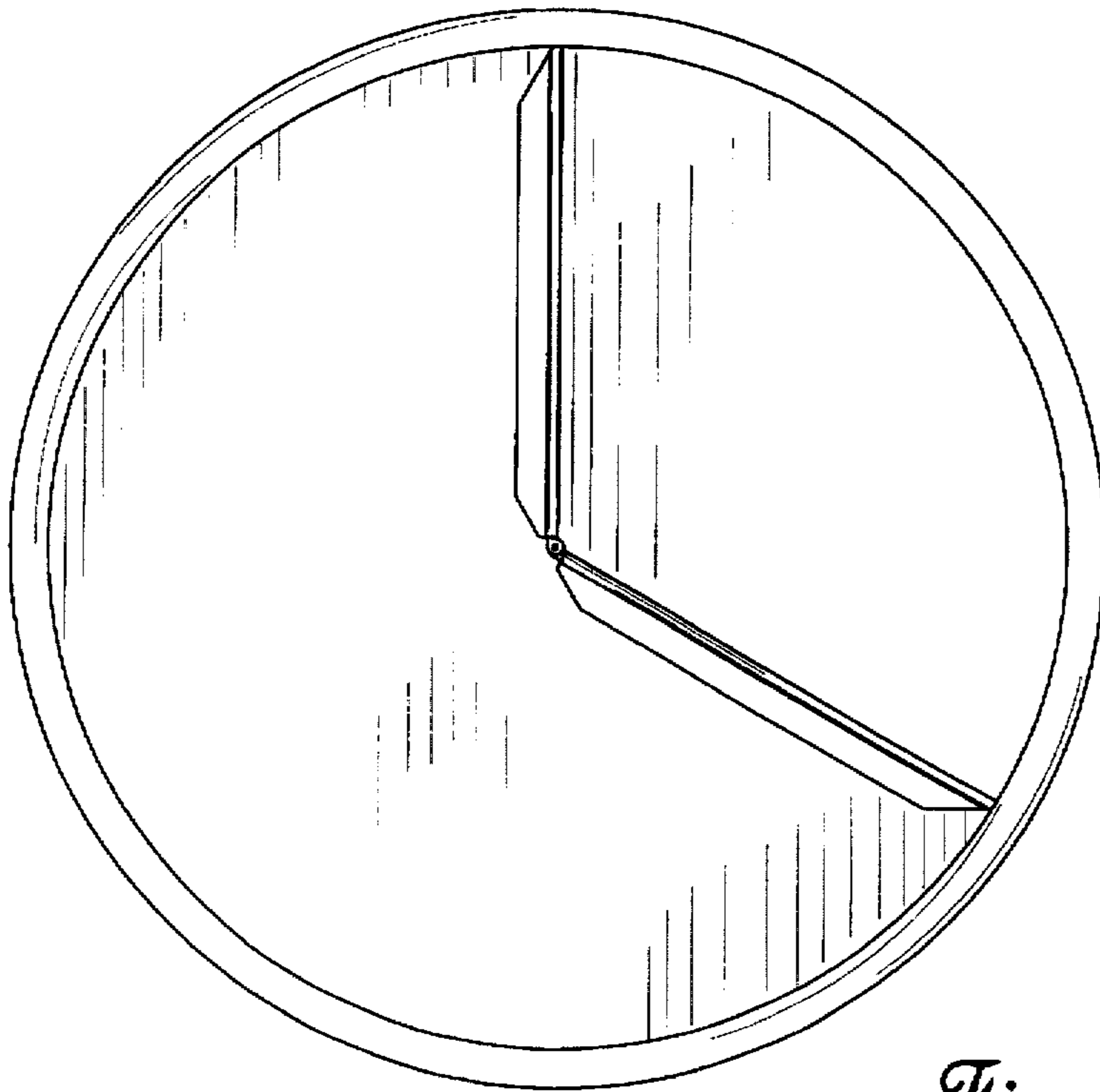


Fig. 2

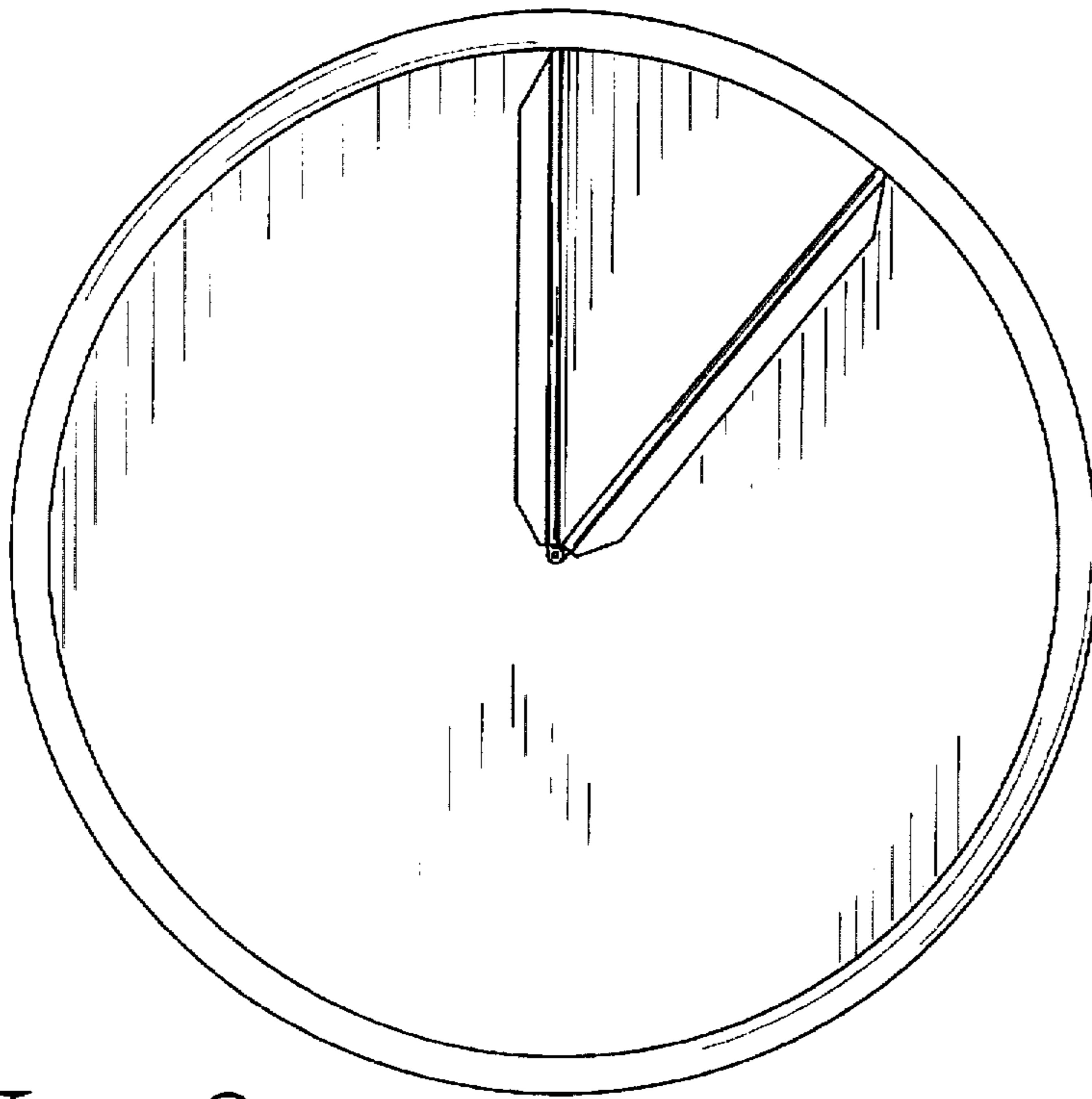


Fig. 3

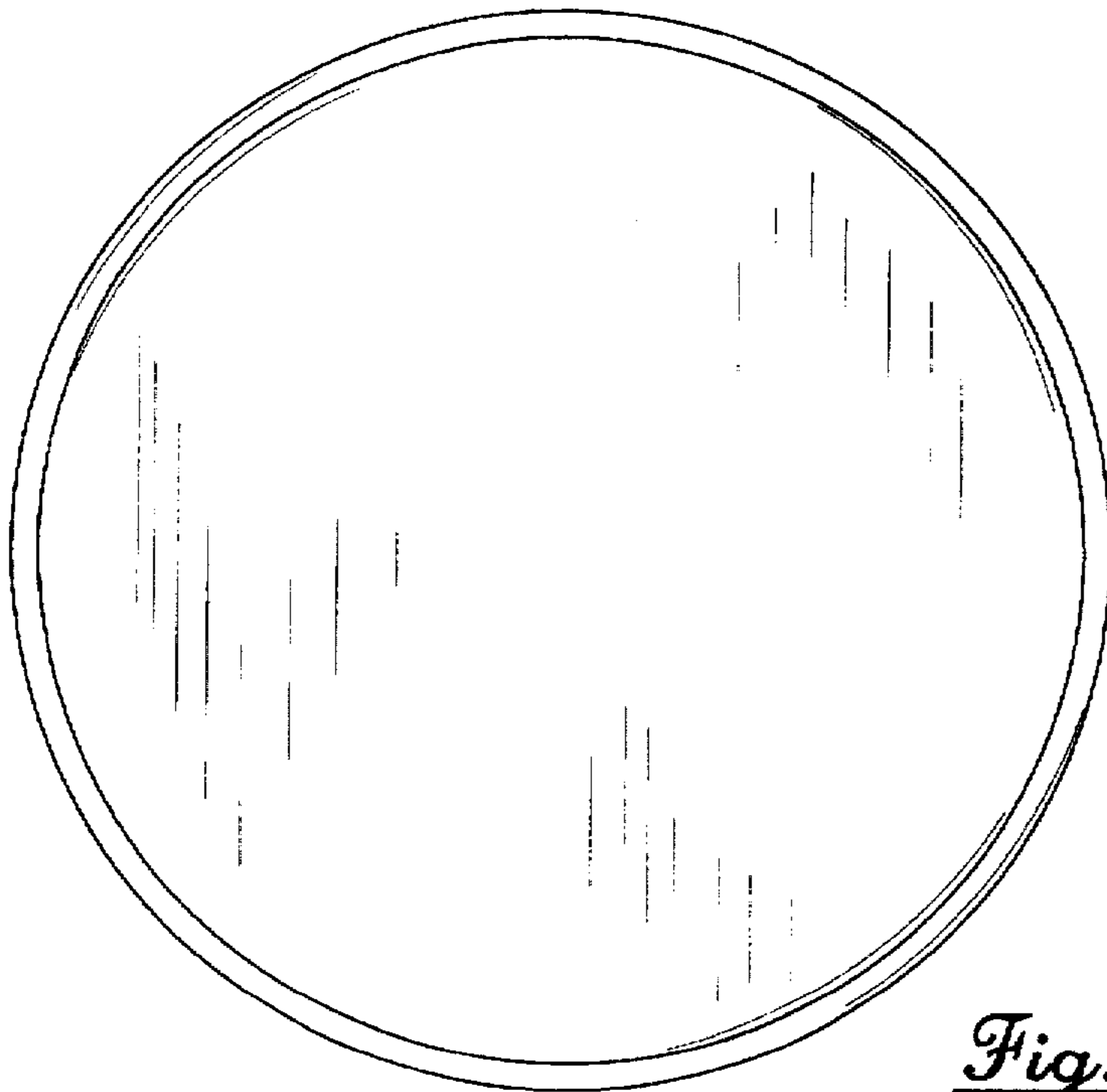


Fig. 4

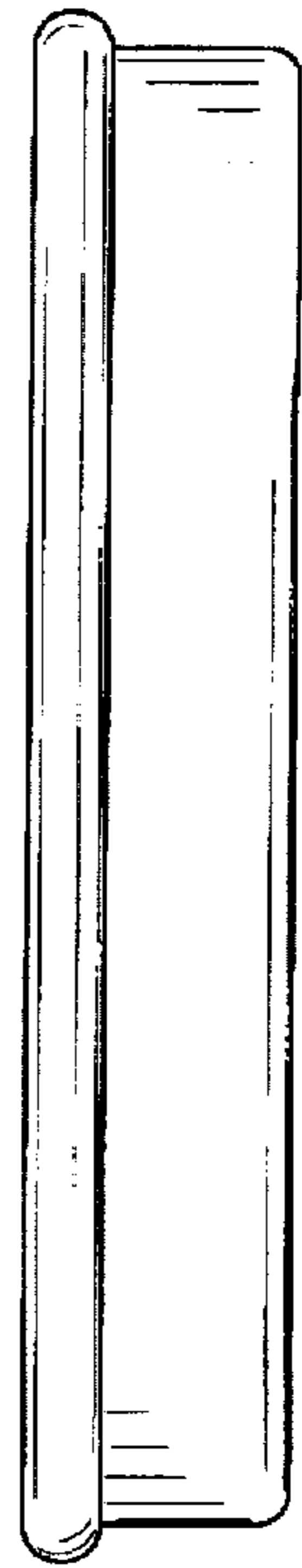


Fig. 5